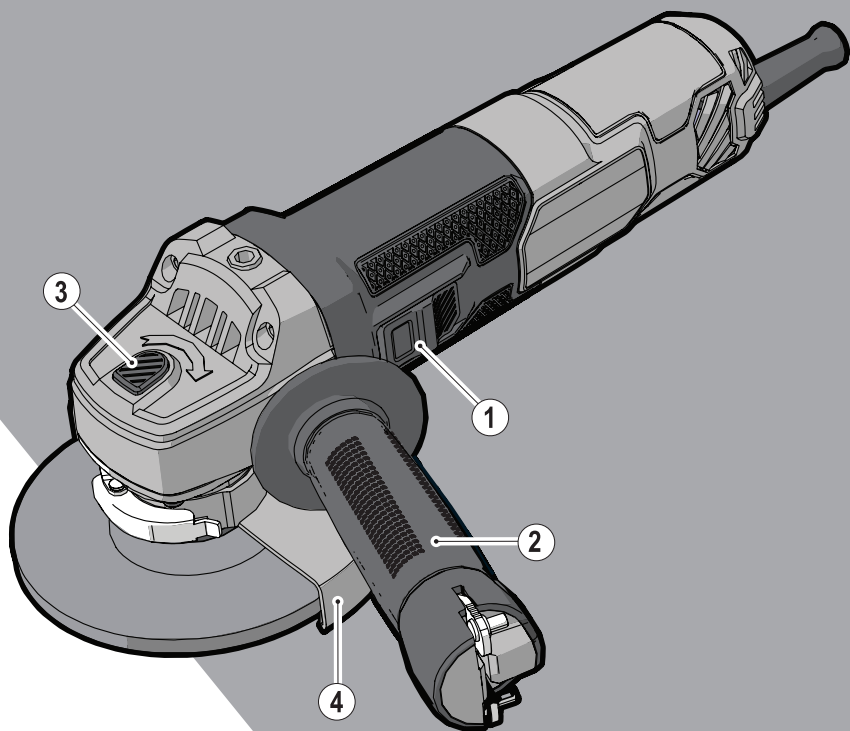


STANLEY®

FATMAX®



www.stanley.eu

FME821
FME822

EN

DE

FR

IT

NL

ES

PT

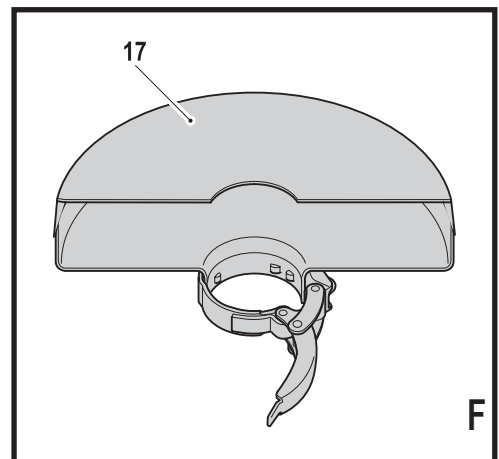
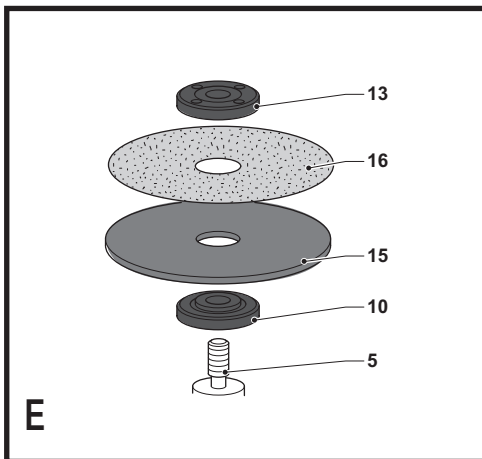
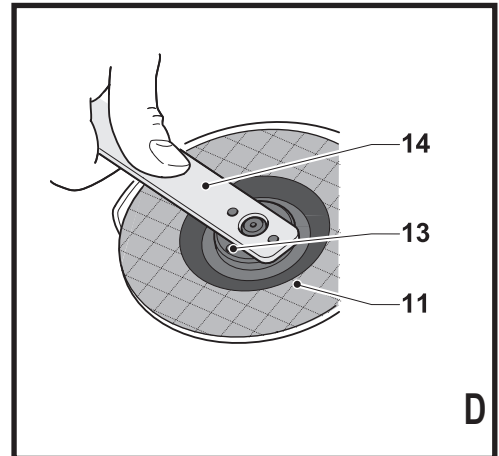
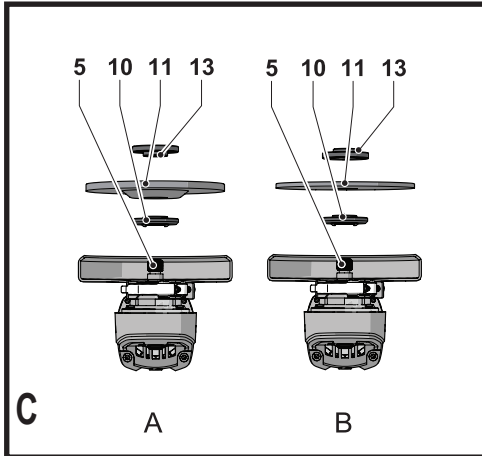
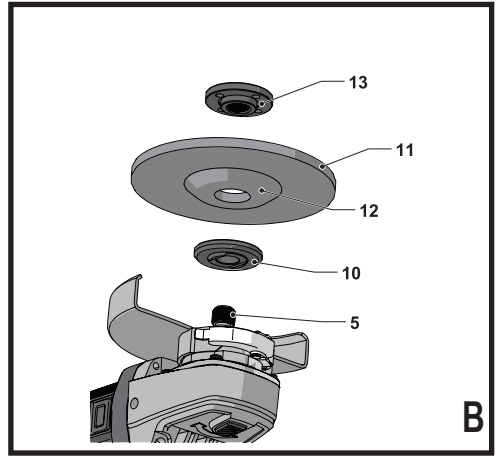
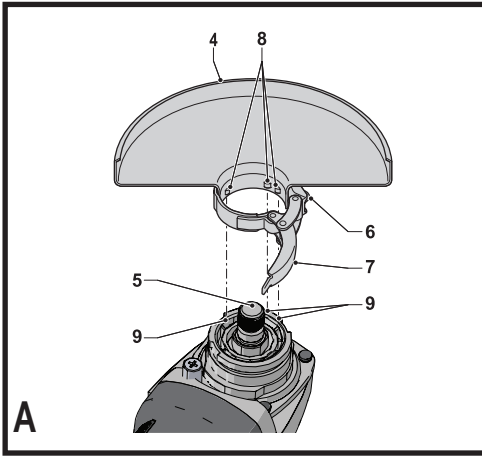
SV

NO

DK

FI

EL



Intended use

Your Stanley Fat Max angle grinder FME821, FME822 has been designed for grinding and cutting metal and masonry using the appropriate type of cutting or grinding disc. When fitted with the appropriate guard, this tool is intended for professional and private, non professional users.

Safety instructions

General power tool safety warnings



Warning! Read all safety warnings and all instructions. Failure to follow the warnings and instructions listed below may result in electric shock, fire and/or serious injury.

Save all warnings and instructions for future reference.

The term "power tool" in all of the warnings listed below refers to your mains operated (corded) power tool or battery operated (cordless) power tool.

1. Work area safety

- a. **Keep work area clean and well lit.** Cluttered or dark areas invite accidents.
- b. **Do not operate power tools in explosive atmospheres, such as in the presence of flammable liquids, gases or dust.** Power tools create sparks which may ignite the dust or fumes.
- c. **Keep children and bystanders away while operating a power tool.** Distractions can cause you to lose control.

2. Electrical safety

- a. **Power tool plugs must match the outlet. Never modify the plug in any way. Do not use any adapter plugs with earthed (grounded) power tools.** Unmodified plugs and matching outlets will reduce risk of electric shock.
- b. **Avoid body contact with earthed or grounded surfaces such as pipes, radiators, ranges and refrigerators.** There is an increased risk of electric shock if your body is earthed or grounded.
- c. **Do not expose power tools to rain or wet conditions.** Water entering a power tool will increase the risk of electric shock.
- d. **Do not abuse the cord. Never use the cord for carrying, pulling or unplugging the power tool. Keep cord away from heat, oil, sharp edges or moving parts.** Damaged or entangled cords increase the risk of electric shock.
- e. **When operating a power tool outdoors, use an extension cord suitable for outdoor use.** Use of a cord suitable for outdoor use reduces the risk of electric shock.

- f. **If operating a power tool in a damp location is unavoidable, use a residual current device (RCD) protected supply.** Use of an RCD reduces the risk of electric shock.
- #### 3. Personal safety
- a. **Stay alert, watch what you are doing and use common sense when operating a power tool. Do not use a power tool while you are tired or under the influence of drugs, alcohol or medication.** A moment of inattention while operating power tools may result in serious personal injury.
 - b. **Use personal protective equipment. Always wear eye protection.** Protective equipment such as dust mask, non-skid safety shoes, hard hat, or hearing protection used for appropriate conditions will reduce personal injuries.
 - c. **Prevent unintentional starting. Ensure the switch is in the off-position before connecting to power source and/or battery pack, picking up or carrying the tool.** Carrying power tools with your finger on the switch or energising power tools that have the switch on invites accidents.
 - d. **Remove any adjusting key or wrench before turning the power tool on.** A wrench or a key left attached to a rotating part of the power tool may result in personal injury.
 - e. **Do not overreach. Keep proper footing and balance at all times.** This enables better control of the power tool in unexpected situations.
 - f. **Dress properly. Do not wear loose clothing or jewellery. Keep your hair, clothing and gloves away from moving parts.** Loose clothes, jewellery or long hair can be caught in moving parts.
 - g. **If devices are provided for the connection of dust extraction and collection facilities, ensure these are connected and properly used.** Use of dust collection can reduce dust-related hazards.
- #### 4. Power tool use and care
- a. **Do not force the power tool. Use the correct power tool for your application.** The correct power tool will do the job better and safer at the rate for which it was designed.
 - b. **Do not use the power tool if the switch does not turn it on and off.** Any power tool that cannot be controlled with the switch is dangerous and must be repaired.
 - c. **Disconnect the plug from the power source and/or the battery pack from the power tool before making any adjustments, changing accessories, or storing power tools.** Such preventive safety measures reduce the risk of starting the power tool accidentally.

- d. **Store idle power tools out of the reach of children and do not allow persons unfamiliar with the power tool or these instructions to operate the power tool.** Power tools are dangerous in the hands of untrained users.
 - e. **Maintain power tools. Check for misalignment or binding of moving parts, breakage of parts and any other condition that may affect the power tools operation. If damaged, have the power tool repaired before use.** Many accidents are caused by poorly maintained power tools.
 - f. **Keep cutting tools sharp and clean.** Properly maintained cutting tools with sharp cutting edges are less likely to bind and are easier to control.
 - g. **Use the power tool, accessories and tool bits etc. in accordance with these instructions, taking into account the working conditions and the work to be performed.** Use of the power tool for operations different from those intended could result in a hazardous situation.
5. **Service**
- a. **Have your power tool serviced by a qualified repair person using only identical replacement parts.** This will ensure that the safety of the power tool is maintained.

Additional power tool safety warnings



Warning! Additional safety warnings for grinding, sanding, polishing or abrasive cutting-off operations

- ◆ **This power tool is intended to function as a grinder, sander, polisher or cut-off tool. Read all safety warnings, instructions, illustrations and specifications provided with this power tool.** Failure to follow all instructions listed below may result in electric shock, fire and/or serious injury.
- ◆ **Operations for which the power tool was not designed may create a hazard and cause personal injury.**
- ◆ **Do not use accessories which are not specifically designed and recommended by the tool manufacturer.** Just because the accessory can be attached to your power tool, it does not assure safe operation.
- ◆ **The rated speed of the accessory must be at least equal to the maximum speed marked on the power tool.** Accessories running faster than their rated speed can break and fly apart.
- ◆ **The outside diameter and the thickness of your accessory must be within the capacity rating of your power tool.** Incorrectly sized accessories cannot be adequately guarded or controlled.
- ◆ **Threaded mounting of accessories must match the grinder spindle thread. For accessories mounted by flanges, the arbour hole of the accessory must fit the locating diameter of the flange.** Accessories that do not match the mounting hardware of the power tool will run out of balance, vibrate excessively and may cause loss of control.
- ◆ **Do not use a damaged accessory. Before each use inspect the accessory such as abrasive wheels for chips and cracks, backing pad for cracks, tear or excess wear, for loose or cracked wires. If power tool or accessory is dropped, inspect for damage or install an undamaged accessory. After inspecting and installing an accessory and run the power tool at maximum no-load speed for one minute.** Damaged accessories will normally break apart during this test time.
- ◆ **Wear personal protective equipment. Depending on application, use face shield, safety goggles or safety glasses. As appropriate, wear dust mask, hearing protectors, gloves and workshop apron capable of stopping small abrasive or workpiece fragments.** The eye protection must be capable of stopping flying debris generated by various operations. The dust mask or respirator must be capable of filtering particles generated by your operation. Prolonged exposure to high intensity noise may cause hearing loss.
- ◆ **Keep bystanders a safe distance away from work area. Anyone entering the work area must wear personal protective equipment.** Fragments of workpiece or of a broken accessory may fly away and cause injury beyond immediate area of operation.
- ◆ **Hold power tool by insulated gripping surfaces only, when performing an operation where the cutting accessory may contact hidden wiring or its own cord.** Cutting accessory contacting a "live" wire may make exposed metal parts of the power tool "live" and shock the operator.
- ◆ **Position the cord clear of the spinning accessory.** If you lose control, the cord may be cut or snagged and your hand or arm may be pulled into the spinning accessory.
- ◆ **Never lay the power tool down until the accessory has come to a complete stop.** The spinning accessory may grab the surface and pull the power tool out of your control.
- ◆ **Do not run the power tool while carrying it at your side.** Accidental contact with the spinning accessory could snag your clothing, pulling the accessory into your body.
- ◆ **Regularly clean the power tool's air vents.** The motor's fan will draw the dust inside the housing and excessive accumulation of powdered metal may cause electrical hazards.
- ◆ **Do not operate the power tool near flammable materials.** Sparks could ignite these materials.

- ◆ **Do not use accessories that require liquid coolants.**
Using water or other liquid coolants may result in electrocution or shock.

Note: The above warning does not apply for power tools specifically designed for use with a liquid system.

Kickback and related warnings

Kickback is a sudden reaction to a pinched or snagged rotating wheel, backing pad, brush or any other accessory. Pinching or snagging causes rapid stalling of the rotating accessory which in turn causes the uncontrolled power tool to be forced in the direction opposite of the accessory's rotation at the point of the binding.

For example, if an abrasive wheel is snagged or pinched by the workpiece, the edge of the wheel that is entering into the pinch point can dig into the surface of the material causing the wheel to climb out or kick out. The wheel may either jump toward or away from the operator, depending on direction of the wheel's movement at the point of pinching.

Abrasive wheels may also break under these conditions.

Kickback is the result of power tool misuse and/or incorrect operating procedures or conditions and can be avoided by taking proper precautions as given below.

- ◆ **Maintain a firm grip on the power tool and position your body and arm to allow you to resist kickback forces. Always use auxiliary handle, if provided, for maximum control over kickback or torque reaction during start-up.** The operator can control torque reactions or kickback forces, if proper precautions are taken.
- ◆ **Never place your hand near the rotating accessory.** Accessory may kickback over your hand.
- ◆ **Do not position your body in the area where power tool will move if kickback occurs.** Kickback will propel the tool in direction opposite to the wheel's movement at the point of snagging.
- ◆ **Use special care when working corners, sharp edges etc. Avoid bouncing and snagging the accessory.** Corners, sharp edges or bouncing have a tendency to snag the rotating accessory and cause loss of control or kickback.
- ◆ **Do not attach a saw chain woodcarving blade or toothed saw blade.** Such blades create frequent kickback and loss of control.

Safety warnings specific for grinding and abrasive cutting-off operations

- ◆ **Use only wheel types that are recommended for your power tool and the specific guard designed for the selected wheel.** Wheels for which the power tool was not designed cannot be adequately guarded and are unsafe.

- ◆ **The grinding surface of centre depressed wheels must be mounted below the plane of the guard lip.** An improperly mounted wheel that projects through the plane of the guard lip cannot be adequately protected.
- ◆ **The guard must be securely attached to the power tool and positioned for maximum safety, so the least amount of wheel is exposed towards the operator.** The guard helps to protect operator from broken wheel fragments, accidental contact with wheel and sparks that could ignite clothing.
- ◆ **Wheels must be used only for recommended applications. For example: do not grind with the side of cut-off wheel.** Abrasive cut-off wheels are intended for peripheral grinding, side forces applied to these wheels may cause them to shatter.
- ◆ **Always use undamaged wheel flanges that are of correct size and shape for your selected wheel.** Proper wheel flanges support the wheel thus reducing the possibility of wheel breakage. Flanges for cut-off wheels may be different from grinding wheel flanges.
- ◆ **Do not use worn down wheels from larger power tools.** Wheel intended for larger power tool is not suitable for the higher speed of a smaller tool and may burst.

Additional safety warnings specific for abrasive cutting-off operations

- ◆ **Do not "jam" the cut-off wheel or apply excessive pressure. Do not attempt to make an excessive depth of cut.** Over stressing the wheel increases the loading and susceptibility to twisting or binding of the wheel in the cut and the possibility of kickback or wheel breakage.
- ◆ **Do not position your body in line with and behind the rotating wheel.** When the wheel, at the point of operation, is moving away from your body, the possible kickback may propel the spinning wheel and the power tool directly at you.
- ◆ **When wheel is binding or when interrupting a cut for any reason, switch off the power tool and hold the power tool motionless until the wheel comes to a complete stop. Never attempt to remove the cut-off wheel from the cut while the wheel is in motion otherwise kickback may occur.** Investigate and take corrective action to eliminate the cause of wheel binding.
- ◆ **Do not restart the cutting operation in the workpiece. Let the wheel reach full speed and carefully re-enter the cut.** The wheel may bind, walk up or kickback if the power tool is restarted in the workpiece.
- ◆ **Support panels or any oversized workpiece to minimize the risk of wheel pinching and kickback.** Large workpieces tend to sag under their own weight. Supports must be placed under the workpiece near the line of cut and near the edge of the workpiece on both sides of the wheel.

- ◆ **Use extra caution when making a "pocket cut" into existing walls or other blind areas.** The protruding wheel may cut gas or water pipes, electrical wiring or objects that can cause kickback.

Safety warnings specific for sanding operations

- ◆ **Do not use excessively oversized sanding disc paper. Follow manufacturers recommendations, when selecting sanding paper.** Larger sanding paper extending beyond the sanding pad presents a laceration hazard and may cause snagging, tearing of the disc or kickback.

Safety warnings specific for polishing operations

- ◆ **Do not allow any loose portion of the polishing bonnet or its attachment strings to spin freely. Tuck away or trim any loose attachment strings.** Loose and spinning attachment strings can entangle your fingers or snag on the workpiece.

Safety of others

- ◆ This appliance is not intended for use by persons (including children) with reduced physical, sensory or mental capabilities, or lack of experience and knowledge, unless they have been given supervision or instruction concerning use of the appliance by a person responsible for their safety.
- ◆ Children should be supervised to ensure that they do not play with the appliance.

Residual risks.

Additional residual risks may arise when using the tool which may not be included in the enclosed safety warnings. These risks can arise from misuse, prolonged use etc.

Even with the application of the relevant safety regulations and the implementation of safety devices, certain residual risks can not be avoided. These include:

- ◆ **Injuries caused by touching any rotating/moving parts.**
- ◆ **Injuries caused when changing any parts, blades or accessories.**
- ◆ **Injuries caused by prolonged use of a tool. When using any tool for prolonged periods ensure you take regular breaks.**
- ◆ **Impairment of hearing.**
- ◆ **Health hazards caused by breathing dust developed when using your tool (example:- working with wood, especially oak, beech and MDF.)**

Vibration

The declared vibration emission values stated in the technical data and the declaration of conformity have been measured in accordance with a standard test method provided by EN60745

and may be used for comparing one tool with another. The declared vibration emission value may also be used in a preliminary assessment of exposure.

Warning! The vibration emission value during actual use of the power tool can differ from the declared value depending on the ways in which the tool is used. The vibration level may increase above the level stated.

When assessing vibration exposure to determine safety measures required by 2002/44/EC to protect persons regularly using power tools in employment, an estimation of vibration exposure should consider, the actual conditions of use and the way the tool is used, including taking account of all parts of the operating cycle such as the times when the tool is switched off and when it is running idle in addition to the trigger time.

Labels on tool

The following pictograms as well as the date code are shown on the tool:



Warning! To reduce the risk of injury, the user must read the instruction manual.



Wear safety glasses or goggles when operating this tool.



Wear ear protection when operating this tool.

Electrical safety



This tool is double insulated; therefore no earth wire is required. Always check that the power supply corresponds to the voltage on the rating plate.

- ◆ If the supply cord is damaged, it must be replaced by the manufacturer or an authorised Stanley Fat Max Service Centre in order to avoid a hazard.

Features

This tool includes some or all of the following features.

1. On/off switch
2. Side handle
3. Spindle lock
4. Grinding guard

Assembly

Warning! Before assembly, make sure that the tool is switched off and unplugged.

Fitting and removing the guard (fig. A)

The tool is supplied with a guard intended for grinding purposes and cutting purposes. Ensure you use the correct

guard specific for the intended operation. If the unit is intended to perform cutting off operations, a guard (17, Fig F) specific for this operation must be fitted .

Fitting

- ◆ Place the tool on a table, with the spindle (5) facing up.
- ◆ Release the clamping lock (7) and hold the guard (4) over the tool as shown.
- ◆ Align the lugs (8) with the notches (9).
- ◆ Press the guard down and rotate it counterclockwise to the required position.
- ◆ Fasten the clamping lock (7) to secure the guard to the tool.
- ◆ If required, tighten the screw (6) to increase the clamping force.

Removing

- ◆ Release the clamping lock (7).
- ◆ Rotate the guard clockwise to align the lugs (8) with the notches (9).
- ◆ Remove the guard from the tool.

Warning! Never use the tool without the guard.

Fitting the side handle

- ◆ Screw the side handle (2) into one of the mounting holes in the tool.

Warning! Always use the side handle.

Fitting and removing grinding or cutting discs (fig. B - D)

Always use the correct type of disc for your application.
Always use discs with the correct diameter and bore size (see technical data).

Fitting

- ◆ Fit the guard as described above.
- ◆ Place the inner flange (10) onto the spindle (5) as shown (fig. B). Make sure that the flange is correctly located on the flat sides of the spindle.
- ◆ Place the disc (11) onto the spindle (5) as shown (fig. B). If the disc has a raised centre (12), make sure that the raised centre faces the inner flange.
- ◆ Make sure that the disc locates correctly on the inner flange.
- ◆ Place the outer flange (13) onto the spindle. When fitting a grinding disc, the raised centre on the outer flange must face towards the disc (A in fig. C). When fitting a cutting disc, the raised centre on the outer flange must face away from the disc (B in fig. C).
- ◆ Keep the spindle lock (3) depressed and tighten the outer flange using the two-pin spanner (14) (fig. D).

Removing

- ◆ Keep the spindle lock (3) depressed and loosen the outer flange (13) using the two-pin spanner (14) (fig. D).
- ◆ Remove the outer flange (13) and the disc (11).

Fitting and removing sanding discs (fig. D & E)

For sanding, a backing pad is required. The backing pad is available from your Stanley Fat Max dealer as an accessory.

Fitting

- ◆ Place the inner flange (10) onto the spindle (5) as shown (fig. E). Make sure that the flange is correctly located on the flat sides of the spindle.
- ◆ Place the backing pad (15) onto the spindle.
- ◆ Place the sanding disc (16) onto the backing pad.
- ◆ Place the outer flange (13) onto the spindle with the raised centre facing away from the disc.
- ◆ Keep the spindle lock (3) depressed and tighten the outer flange using the two-pin spanner (14) (fig. D). Make sure that the outer flange is fitted correctly and that the disc is clamped tightly.

Removing

- ◆ Keep the spindle lock (3) depressed and loosen the outer flange (13) using the two-pin spanner (14) (fig. D).
- ◆ Remove the outer flange (13), the sanding disc (16) and the backing pad (15).

Use

Warning! Let the tool work at its own pace. Do not overload.

- ◆ Carefully guide the cable in order to avoid accidentally cutting it.
- ◆ Be prepared for a stream of sparks when the grinding or cutting disc touches the workpiece.
- ◆ Always position the tool in such a way that the guard provides optimum protection from the grinding or cutting disc.

Switching on and off

- ◆ To switch on, slide the on/off switch (1) forward then press it in. Note that the tool will continue running when you release the switch.
- ◆ To switch off, press the rear part of the on/off switch.

Warning! Do not switch the tool off while under load.

Soft Start Feature

The soft start feature allows a slow speed build-up to avoid an initial jerk when starting. This feature is particularly useful when working in confined spaces.

No-Volt

The No-volt function stops the grinder restarting without the switch being cycled if there is a break in the power supply.

Hints for optimum use

- ◆ Firmly hold the tool with one hand around the side handle and the other hand around the main handle.
- ◆ When grinding, always maintain an angle of approx. 15° between the disc and the workpiece surface.

Maintenance

Your Stanley Fat Max corded/cordless appliance/tool has been designed to operate over a long period of time with a minimum of maintenance. Continuous satisfactory operation depends upon proper tool care and regular cleaning.

Warning! Before performing any maintenance on corded/cordless power tools:

- ◆ Switch off and unplug the appliance/tool.
- ◆ Or switch off and remove the battery from the appliance/tool if the appliance/tool has a separate battery pack.
- ◆ Or run the battery down completely if it is integral and then switch off.
- ◆ Unplug the charger before cleaning it. Your charger does not require any maintenance apart from regular cleaning.
- ◆ Regularly clean the ventilation slots in your appliance/tool/charger using a soft brush or dry cloth.
- ◆ Regularly clean the motor housing using a damp cloth. Do not use any abrasive or solvent-based cleaner.
- ◆ Regularly open the chuck and tap it to remove any dust from the interior (when fitted).

Mains plug replacement (U.K. & Ireland only)

If a new mains plug needs to be fitted:

- ◆ Safely dispose of the old plug.
- ◆ Connect the brown lead to the live terminal in the new plug.
- ◆ Connect the blue lead to the neutral terminal.

Warning! No connection is to be made to the earth terminal. Follow the fitting instructions supplied with good quality plugs. Recommended fuse: 13 A.

Protecting the environment



Separate collection. Products and batteries marked with this symbol must not be disposed of with normal household waste.

Products and batteries contain materials that can be recovered or recycled reducing the demand for raw materials. Please recycle electrical products and batteries according to local provisions.

Technical data

		FME821 (Type 1)	FME822 (Type 1)
Input voltage	V _{AC}	230	230
Power input	W	850	850
Rated speed	min ⁻¹	12,000	12,000
Disc diameter	mm	115	125
Disc bore	mm	22	22
Max disc thickness			
grinding discs	mm	6	6
cutting discs	mm	3.5	3.5
Spindle size		M14	M14
Weight	kg	2.1	2.1

L _{pA} (sound pressure) 94.5 dB(A), Uncertainty (K) 3 dB(A)
L _{WA} (sound power) 105.5 dB(A), Uncertainty (K) 3 dB(A)
Vibration total values (triax vector sum) according to EN60745:
Surface grinding (a _{h,SG}) 9.9 m/s ² , uncertainty (K) 1.5 m/s ²
Cutting-off (a _h) 9.1 m/s ² , uncertainty (K) 1.5 m/s ²
Polishing (a _{h,P}) 5.0 m/s ² , uncertainty (K) 1.5 m/s ²
Disc sanding (a _{h,DS}) 3.3 m/s ² , uncertainty (K) 1.5 m/s ²

EC declaration of conformity

MACHINERY DIRECTIVE



FME821 / FME822 angle Grinder

Stanley Europe declares that these products described under

"technical data" are in compliance with:

2006/42/EC, EN60745-1:2009 +A11:2010;

EN60745-2-3:2011 +A2:2013 +A11:2014 +A12:2014

These products also comply with Directive 2014/108/EC (until 19.04.2016), 2014/30/EU (from 20.04.2016) and 2011/65/EU.

For more information, please contact Stanley Europe at the following address or refer to the back of the manual.

The undersigned is responsible for compilation of the technical file and makes this declaration on behalf of Stanley Europe.

A handwritten signature in black ink, appearing to read 'R. Laverick', written in a cursive style.

Ray Laverick

Director of Engineering

Stanley Europe, Egide Walschaertsstraat14-18,

2800 Mechelen, Belgium

25/08/2015

Guarantee

Stanley Fat Max is confident of the quality of its products and offers consumers a 12 month guarantee* from the date of purchase. This guarantee is in addition to and in no way prejudices your statutory rights. The guarantee is valid within the territories of the Member States of the European Union and the European Free Trade Area.

To claim on the guarantee, the claim must be in accordance with Stanley Fat Max Terms and conditions and you will need to submit proof of purchase to the seller or an authorised repair agent.

Terms and conditions of the Stanley Fat Max 1 year guarantee and the location of your nearest authorised repair agent can be obtained on the Internet at www.2helpU.com, or by contacting your local Stanley Fat Max office at the address indicated in this manual.

Please visit our website www.stanleytools.co.uk to register your new Stanley Fat Max product and receive updates on new products and special offers.

Verwendungszweck

Ihr Stanley Fat Max Winkelschleifer FME821, FME822 wurde zum Schleifen und Schneiden von Metall und Mauerwerk mit dem entsprechenden Typ von Schneid- oder Schleifscheibe entwickelt. Wenn mit dem entsprechenden Schutz versehen, ist dieses Werkzeug für professionelle und private, nicht-professionelle Nutzer vorgesehen.

Sicherheitshinweise

Allgemeine Sicherheitswarnhinweise für Elektrowerkzeuge



Warnung! Lesen Sie alle Sicherheitswarnhinweise und alle Anweisungen. Das Nichtbeachten der unten aufgeführten Warnhinweise und Anweisungen kann zu elektrischem Schlag, Brand und/oder schweren Verletzungen führen.

Bewahren Sie alle Warnhinweise und alle Anweisungen auf. Der Begriff „Elektrowerkzeug“ in den Warnhinweisen bezieht sich auf Ihr netzbetriebenes Elektrowerkzeug (mit Kabel) oder auf Ihr akkubetriebenes (kabelloses) Elektrowerkzeug.

1. Sicherheit im Arbeitsbereich

- Halten Sie den Arbeitsbereich sauber und gut ausgeleuchtet.** Unaufgeräumte oder dunkle Bereiche begünstigen Unfälle.
- Betreiben Sie das Elektrowerkzeug nicht in explosionsgefährdeten Umgebungen, in denen sich z. B. brennbare Flüssigkeiten, Gase oder Staub befinden.** Elektrowerkzeuge erzeugen Funken, die den Staub oder die Dämpfe entzünden können.
- Halten Sie Kinder und Zuschauer fern, während Sie ein Elektrogerät betreiben.** Ablenkung kann dazu führen, dass Sie die Kontrolle über das Gerät verlieren.

2. Elektrische Sicherheit

- Der Stecker des Elektrogerätes muss in die Steckdose passen. Ändern Sie niemals den Stecker in irgendeiner Form. Verwenden Sie keinerlei Adapterstecker an geerdeten Elektrogeräten.** Unveränderte Stecker und passende Steckdosen mindern die Gefahr eines elektrischen Schlages.
- Vermeiden Sie Körperkontakt mit geerdeten Flächen, wie Rohre, Radiatoren, Herde und Kühlgeräte.** Es besteht eine erhöhte Gefahr für einen elektrischen Schlag, wenn Ihr Körper geerdet ist.
- Setzen Sie Elektrogeräte keinem Regen oder feuchter Umgebung aus.** Wenn Wasser in das Elektrogerät eindringt, erhöht sich die Gefahr eines elektrischen Schlages.

- Behandeln Sie das Kabel sorgfältig. Verwenden Sie niemals das Kabel, um das Elektrogerät zu tragen oder durch Ziehen vom Netz zu trennen. Halten Sie das Kabel fern von Hitze, Öl, scharfen Kanten oder beweglichen Teilen.** Beschädigte oder verhedderte Kabel erhöhen die Gefahr eines elektrischen Schlages.
- Wenn Sie ein Elektrogerät im Freien betreiben, verwenden Sie ein für den Außeneinsatz geeignetes Verlängerungskabel.** Die Verwendung von für den Außeneinsatz geeigneten Kabeln mindert die Gefahr eines elektrischen Schlages.
- Wenn der Betrieb eines Elektrogerätes in feuchter Umgebung unumgänglich ist, verwenden Sie eine durch einen Fehlerstromschutzschalter (FI-Schalter oder RCD) geschützte Stromversorgung.** Der Einsatz eines Fehlerstromschutzschalters mindert die Gefahr eines elektrischen Schlages.

3. Persönliche Sicherheit

- Seien Sie aufmerksam, achten Sie darauf, was Sie tun, und gehen Sie mit Vernunft an die Arbeit mit einem Elektrowerkzeug. Benutzen Sie kein Elektrowerkzeug, wenn Sie müde sind oder unter dem Einfluss von Drogen, Alkohol oder Medikamenten stehen.** Ein Moment der Unachtsamkeit beim Betrieb eines Elektrogerätes kann zu schweren Verletzungen führen.
- Tragen Sie persönliche Schutzausrüstung. Tragen Sie immer einen Augenschutz.** Das Tragen persönlicher Schutzausrüstung, wie Staubmaske, rutschfeste Sicherheitsschuhe, Schutzhelm oder Gehörschutz, je nach Art und Einsatz des Elektrowerkzeuges, verringert das Risiko von Verletzungen.
- Vermeiden Sie unbeabsichtigtes Starten. Vergewissern Sie sich, dass der Schalter in der AUS-Position ist, bevor Sie das Gerät an die Stromversorgung und/oder an den Akku anschließen oder wenn Sie das Gerät aufnehmen oder tragen.** Wenn Sie beim Tragen des Elektrowerkzeuges den Finger am Schalter haben oder das Gerät eingeschaltet an die Stromversorgung anschließen, kann dies zu Unfällen führen.
- Entfernen Sie alle Einstellschlüssel oder Werkzeuge, bevor Sie das Elektrogerät einschalten.** Werkzeuge oder Schlüssel, die an rotierenden Teilen des Elektrogerätes angebracht sind, können zu Verletzungen führen.
- Vermeiden Sie eine anormale Körperhaltung. Sorgen Sie für einen sicheren Stand und halten Sie jederzeit das Gleichgewicht.** Dadurch können Sie das Elektrowerkzeug in unerwarteten Situationen besser kontrollieren.

- f. **Tragen Sie geeignete Kleidung. Tragen Sie keine weite Kleidung und keinen Schmuck. Halten Sie Ihre Haare, Kleidung und Handschuhe von beweglichen Teilen fern.** Lose sitzende Kleidung, Schmuck oder lange Haare können sich in den beweglichen Teilen verfangen.
- g. **Wenn Geräte für den Anschluss an eine Staubabsaugung und Staubsammlung vorgesehen sind, vergewissern Sie sich, dass diese richtig angeschlossen sind und verwendet werden.** Der Einsatz von Staubsaugern kann staubbedingte Gefahren mindern.
4. **Gebrauch und Pflege von Elektrowerkzeugen**
- a. **Überlasten Sie das Elektrogerät nicht. Verwenden Sie das für Ihre Arbeit passende Elektrogerät.** Das richtige Gerät wird die Aufgabe besser und sicherer erledigen, wenn es bestimmungsgemäß verwendet wird.
- b. **Benutzen Sie kein Elektrowerkzeug, dessen Schalter defekt ist.** Ein Elektrowerkzeug, das sich nicht mehr ein- oder ausschalten lässt, ist gefährlich und muss repariert werden.
- c. **Trennen Sie den Stecker vom Netz und/oder die Akkus vom Elektrogerät, bevor Sie Einstellungen am Gerät vornehmen, Zubehör wechseln oder es aufbewahren.** Diese Vorbeugemaßnahmen mindern die Gefahr, dass das Elektrogerät unbeabsichtigt startet. Diese Vorbeugemaßnahmen mindern die Gefahr, dass das Elektrogerät unbeabsichtigt startet.
- d. **Bewahren Sie nicht verwendete Elektrogeräte für Kinder unerreichbar auf und lassen Sie nicht zu, dass Personen ohne Erfahrung mit dem Elektrogerät oder mit diesen Anweisungen das Elektrogerät bedienen.** Elektrogeräte sind in den Händen nicht geschulter Personen gefährlich.
- e. **Warten Sie die Elektrogeräte. Prüfen Sie, ob bewegliche Teile verzogen oder ausgeschlagen, ob Teile gebrochen oder in einem Zustand sind, der den Betrieb des Elektrogerätes beeinträchtigen kann. Bei Beschädigungen lassen Sie das Elektrogerät reparieren, bevor Sie es verwenden.** Viele Unfälle entstehen wegen mangelnder Wartung der Elektrogeräte.
- f. **Halten Sie Schneidwerkzeuge scharf und sauber.** Richtig gewartete Schneidwerkzeuge mit scharfen Klingen blockieren seltener und sind leichter unter Kontrolle zu halten.
- g. **Verwenden Sie Elektrogeräte, Zubehör und Einsätze (Bits) usw. gemäß diesen Anweisungen und unter Berücksichtigung der Arbeitsbedingungen und der Aufgabe.** Wenn Sie das Elektrogerät für Aufgaben verwenden, die nicht bestimmungsgemäß sind, kann dies zu gefährlichen Situationen führen.

5. Service

- a. **Lassen Sie Ihr Elektrowerkzeug nur von qualifiziertem Fachpersonal und nur mit Original- Ersatzteilen reparieren.** Damit wird sichergestellt, dass die Sicherheit des Gerätes erhalten bleibt.

Allgemeine Sicherheitswarnhinweise für Elektrowerkzeuge



Warnung! Zusätzliche Sicherheitswarnungen zum Schmirgeln, Schleifen, Polieren oder für grobe Trennschleiftätigkeiten

- ◆ **Dieses Elektrowerkzeug ist zu verwenden als Schleifer, Drahtbürste und Trennschleifmaschine. Beachten Sie alle Sicherheitshinweise, Anweisungen, Darstellungen und Daten, die Sie mit dem Gerät erhalten.** Wenn Sie die folgenden Anweisungen nicht beachten, kann es zu elektrischem Schlag, Feuer und/oder schweren Verletzungen kommen.
- ◆ **Verwendungen, für die das Elektrowerkzeug nicht vorgesehen ist, können Gefährdungen und Verletzungen verursachen.**
- ◆ **Verwenden Sie kein Zubehör, das vom Hersteller nicht speziell für dieses Elektrowerkzeug vorgesehen und empfohlen wurde.** Nur weil Sie das Zubehör an Ihrem Elektrowerkzeug befestigen können, garantiert dies keine sichere Verwendung.
- ◆ **Die zulässige Drehzahl des Einsatzwerkzeugs muss mindestens so hoch sein wie die auf dem Elektrowerkzeug angegebene Höchstdrehzahl.** Zubehör, das sich schneller als zulässig dreht, kann zerbrechen und umherfliegen.
- ◆ **Außendurchmesser und Dicke des Einsatzwerkzeugs müssen den Maßangaben Ihres Elektrowerkzeugs entsprechen.** Falsch bemessene Einsatzwerkzeuge können nicht ausreichend abgeschirmt oder kontrolliert werden.
- ◆ **Zubehör mit Gewindemontage muss mit dem Gewinde der Schleiferspindel übereinstimmen.** Bei Zubehör mit Flanschbefestigung muss das Aufnahmeloch des Zubehörs mit dem Flanschdurchmesser übereinstimmen. Zubehör, das nicht genau auf die Schleifspindel des Elektrowerkzeugs passt, dreht sich ungleichmäßig, vibriert sehr stark und kann zum Verlust der Kontrolle führen.
- ◆ **Verwenden Sie keine beschädigten Einsatzwerkzeuge.** Kontrollieren Sie vor jeder Verwendung Einsatzwerkzeuge wie Schleifscheiben auf Absplinterungen und Risse, Schleifteller auf Risse, Verschleiß oder starke Abnutzung, auf lose oder gebrochene Drähte. Wenn das Elektrowerkzeug oder das Einsatzwerkzeug heruntergefallen ist, überprüfen Sie, ob es beschädigt ist, oder verwenden Sie ein unbeschädigtes Einsatz-

zwerkzeug. Lassen Sie das Elektrowerkzeug nach der Inspektion und Installation eines Zubehörs eine Minute lang auf maximaler Lehlaufdrehzahl laufen. Beschädigte Einsatzwerkzeuge brechen meist in dieser Testzeit.

- ◆ **Tragen Sie persönliche Schutzausrüstung. Verwenden Sie je nach Anwendung Vollgesichtsschutz, Augenschutz oder Schutzbrille. Soweit angemessen, tragen Sie Staubmaske, Gehörschutz, Schutzhandschuhe oder Spezialschürze, die kleine Schleif- und Materialpartikel von Ihnen fernhält.** Die Augen sollen vor herumfliegenden Fremdkörpern geschützt werden, die bei verschiedenen Anwendungen entstehen. Staub- oder Atemschutzmaske müssen den bei der Anwendung entstehenden Staub filtern. Wenn Sie lange lautem Lärm ausgesetzt sind, können Sie einen Hörverlust erleiden.
- ◆ **Achten Sie bei anderen Personen auf sicheren Abstand zu Ihrem Arbeitsbereich. Jeder, der den Arbeitsbereich betritt, muss persönliche Schutzausrüstung tragen.** Bruchstücke des Werkstücks oder gebrochener Einsatzwerkzeuge können wegfliegen und Verletzungen auch außerhalb des direkten Arbeitsbereichs verursachen.
- ◆ **Halten Sie das Elektrowerkzeug an den isolierten Griffflächen, wenn Arbeiten durchgeführt werden, bei denen das Schneidwerkzeug versteckte Leitungen oder die eigene Anschlussleitung berühren könnte.** Der Kontakt mit einer spannungsführenden Leitung kann auch metallene Geräteteile unter Spannung setzen und zu einem elektrischen Schlag führen.
- ◆ **Halten Sie das Netzkabel von sich drehenden Einsatzwerkzeugen fern.** Wenn Sie die Kontrolle über das Gerät verlieren, kann das Netzkabel durchtrennt oder erfasst werden und Ihre Hand oder Ihr Arm in das sich drehende Einsatzwerkzeug geraten.
- ◆ **Legen Sie das Elektrowerkzeug niemals ab, bevor das Einsatzwerkzeug völlig zum Stillstand gekommen ist.** Das sich drehende Einsatzwerkzeug kann in Kontakt mit der Ablagefläche geraten, wodurch Sie die Kontrolle über das Elektrowerkzeug verlieren können.
- ◆ **Lassen Sie das Elektrowerkzeug nicht laufen, während Sie es tragen.** Ihre Kleidung kann durch zufälligen Kontakt mit dem sich drehenden Einsatzwerkzeug erfasst werden, und das Einsatzwerkzeug sich in Ihren Körper bohren.
- ◆ **Reinigen Sie regelmäßig die Lüftungsschlitze Ihres Elektrowerkzeugs.** Das Motorgebläse zieht Staub in das Gehäuse, und eine starke Ansammlung von Metallstaub kann elektrische Gefahren verursachen.
- ◆ **Verwenden Sie das Elektrowerkzeug nicht in der Nähe brennbarer Materialien.** Funken können diese Materialien entzünden.

- ◆ **Verwenden Sie keine Einsatzwerkzeuge, die flüssige Kühlmittel erfordern.** Die Verwendung von Wasser oder anderen flüssigen Kühlmitteln kann zu einem elektrischen Schlag führen.

Hinweis: Die vorstehende Warnung gilt nicht für Elektrowerkzeuge, die speziell für den Gebrauch mit einem Flüssigkeitssystem entwickelt wurden.

Rückschlag und verbundene Warnhinweise

Rückschlag ist die plötzliche Reaktion infolge eines hakenden oder blockierten drehenden Einsatzwerkzeugs, wie Schleifscheibe, Schleifteller, Drahtbürste usw. Verhaken oder Blockieren führt zu einem abrupten Stopp des rotierenden Einsatzwerkzeugs. Dadurch wird ein unkontrolliertes Elektrowerkzeug gegen die Drehrichtung des Einsatzwerkzeugs an der Blockierstelle beschleunigt.

Wenn z. B. eine Schleifscheibe im Werkstück hakt oder blockiert, kann sich die Kante der Schleifscheibe, die in das Werkstück eintaucht, verfangen und dadurch die Schleifscheibe ausbrechen oder einen Rückschlag verursachen. Die Schleifscheibe bewegt sich dann auf die Bedienperson zu oder von ihr weg, je nach Drehrichtung der Scheibe an der Blockierstelle.

Hierbei können Schleifscheiben auch brechen.

Ein Rückschlag ist die Folge eines falschen oder fehlerhaften Gebrauchs des Elektrowerkzeugs. Er kann durch geeignete Vorsichtsmaßnahmen, wie nachfolgend beschrieben, verhindert werden.

- ◆ **Halten Sie das Elektrowerkzeug gut fest und bringen Sie Ihren Körper und Ihre Arme in eine Position, in der Sie die Rückschlagkräfte abfangen können. Verwenden Sie immer den Zusatzgriff, falls vorhanden, um die größtmögliche Kontrolle über Rückschlagkräfte oder Reaktionsmomente beim Hochlauf zu haben.** Die Bedienperson kann durch geeignete Vorsichtsmaßnahmen die Rückschlag- und Reaktionskräfte beherrschen.
- ◆ **Bringen Sie Ihre Hand nie in die Nähe sich drehender Einsatzwerkzeuge.** Das Einsatzwerkzeug kann sich beim Rückschlag über Ihre Hand bewegen.
- ◆ **Meiden Sie mit Ihrem Körper den Bereich, in den das Elektrowerkzeug bei einem Rückschlag bewegt wird.** Der Rückschlag treibt das Elektrowerkzeug in die Richtung entgegengesetzt zur Bewegung der Schleifscheibe an der Blockierstelle.
- ◆ **Arbeiten Sie besonders vorsichtig im Bereich von Ecken, scharfen Kanten usw. Verhindern Sie, dass Einsatzwerkzeuge vom Werkstück zurückprallen und verklemmen.** Das rotierende Einsatzwerkzeug neigt bei

Ecken, scharfen Kanten oder wenn es abprallt, dazu, sich zu verklemmen. Dies verursacht einen Kontrollverlust oder Rückschlag.

- ◆ **Verwenden Sie kein Ketten- oder gezähntes Sägeblatt.** Solche Einsatzwerkzeuge verursachen häufig einen Rückschlag oder den Verlust der Kontrolle über das Elektrowerkzeug.

Spezifische Sicherheitswarnhinweise für Schleif- und Trennarbeiten

- ◆ **Verwenden Sie ausschließlich die für Ihr Elektrowerkzeug zugelassenen Schleifkörper und die für diese Schleifkörper vorgesehene Schutzhaube.** Schleifkörper, die nicht für das Elektrowerkzeug vorgesehen sind, können nicht ausreichend abgeschirmt werden und sind unsicher.
- ◆ **Die Schleiffläche der mittleren heruntergedrückten Räder muss unter der Fläche der Schutzlippe montiert werden.** Ein falsch montiertes Rad, das durch die Fläche der Schutzlippe hervorsteht, wird nicht angemessen geschützt.
- ◆ **Die Schutzhaube muss sicher am Elektrowerkzeug angebracht und so eingestellt sein, dass ein Höchstmaß an Sicherheit erreicht wird, d. h. der kleinstmögliche Teil des Schleifkörpers zeigt offen zur Bedienperson.** Die Schutzvorrichtung soll die Bedienperson vor Bruchstücken und zufälligem Kontakt mit dem Schleifkörper sowie vor Funken schützen, durch die die Kleidung entzündet werden könnte.
- ◆ **Schleifkörper dürfen nur für die empfohlenen Einsatzmöglichkeiten verwendet werden. Zum Beispiel: Schleifen Sie nie mit der Seitenfläche einer Trennscheibe.** Trennscheiben sind zum Materialabtrag mit der Kante der Scheibe bestimmt. Seitliche Kräfteinwirkung auf diese Schleifkörper kann sie zerbrechen.
- ◆ **Verwenden Sie immer unbeschädigte Spannflansche in der richtigen Größe und Form für die von Ihnen gewählte Schleifscheibe.** Geeignete Flansche stützen die Schleifscheibe und verringern so die Gefahr eines Schleifscheibenbruchs. Flansche für Trennscheiben können sich von den Flanschen für andere Schleifscheiben unterscheiden.
- ◆ **Verwenden Sie keine abgenutzten Schleifscheiben von größeren Elektrowerkzeugen.** Schleifscheiben für größere Elektrowerkzeuge sind nicht für die höheren Drehzahlen von kleineren Elektrowerkzeugen ausgelegt und können brechen.

Zusätzliche Sicherheitswarnhinweise für Trennschleifarbeiten

- ◆ **Vermeiden Sie ein Blockieren der Trennscheibe oder zu hohen Anpressdruck. Führen Sie keine übermäßig**

tiefen Schnitte aus. Eine Überlastung der Trennscheibe erhöht deren Beanspruchung und die Anfälligkeit zum Verkanten oder Blockieren und damit die Möglichkeit eines Rückschlags oder Schleifkörperbruchs.

- ◆ **Meiden Sie den Bereich vor und hinter der rotierenden Trennscheibe.** Wenn Sie die Trennscheibe im Werkstück von sich wegbewegen, kann im Falle eines Rückschlags das Elektrowerkzeug mit der sich drehenden Scheibe direkt auf Sie zugeschleudert werden.
- ◆ **Falls die Trennscheibe verklemmt oder Sie die Arbeit unterbrechen, schalten Sie das Gerät aus und halten Sie es ruhig, bis die Scheibe zum Stillstand gekommen ist. Versuchen Sie nie, die noch laufende Trennscheibe aus dem Schnitt zu ziehen, sonst kann ein Rückschlag erfolgen.** Ermitteln und beheben Sie die Ursache für das Verklemmen.
- ◆ **Beginnen Sie den Schneidvorgang im Werkstück nicht erneut. Lassen Sie die Trennscheibe erst ihre volle Drehzahl erreichen, bevor Sie den Schnitt vorsichtig fortsetzen.** Anderenfalls kann die Scheibe verhaken, aus dem Werkstück springen oder einen Rückschlag verursachen.
- ◆ **Stützen Sie Platten oder große Werkstücke ab, um das Risiko eines Rückschlags durch eine eingeklemmte Trennscheibe zu vermindern.** Große Werkstücke können sich unter ihrem eigenen Gewicht durchbiegen. Das Werkstück muss auf beiden Seiten der Scheibe abgestützt werden, und zwar sowohl in der Nähe des Trennschnitts als auch an der Kante.
- ◆ **Gehen Sie besonders vorsichtig vor, wenn ein "Einstechschnitt" in vorhandene Wände oder andere blinde Bereiche durchgeführt wird.** Die eintauchende Trennscheibe kann beim Schneiden in Gas- oder Wasserleitungen, elektrische Leitungen oder andere Objekte einen Rückschlag verursachen.

Spezifische Sicherheitswarnhinweise für Sandpapierschleifen

- ◆ **Verwenden Sie kein übermäßig großes Schleifscheibenpapier. Befolgen Sie bei der Auswahl des Schleifpapiers die Empfehlungen des Herstellers.** Schleifblätter, die über den Schleifteller hinausragen, können Verletzungen verursachen sowie zum Blockieren, Zerreißen der Schleifblätter oder zum Rückschlag führen.

Spezifische Sicherheitswarnhinweise für Polierarbeiten

- ◆ **Lassen Sie keine losen Teile der Polierhaube, insbesondere Befestigungsschnüre, zu. Verstauen oder kürzen Sie die Befestigungsschnüre.** Lose, sich mitdrehende Befestigungsschnüre können Ihre Finger erfassen oder sich im Werkstück fangen.

Sicherheit von Anderen

- ◆ Dieses Gerät darf nicht von Personen (einschließlich Kindern) mit eingeschränkten physischen, sensorischen oder mentalen Fähigkeiten oder ohne ausreichende Erfahrung oder Kenntnisse verwendet werden, außer wenn diese Personen von einer Person, die für ihre Sicherheit verantwortlich ist, bei der Verwendung des Geräts beaufsichtigt oder mit ihm vertraut gemacht werden.
- ◆ Lassen Sie nicht zu, dass Kinder mit dem Gerät spielen.

Restrisiken.

Zusätzliche Restrisiken können auftreten, wenn das Werkzeug verwendet wird, das möglicherweise nicht in den Sicherheitsswarnungen enthalten ist. Diese Risiken können aus Missbrauch, verlängerter Nutzung usw. resultieren.

Selbst unter Beachtung der geltenden Sicherheitsvorschriften und des Einsatzes von Schutzvorrichtungen können bestimmte Risiken nicht vermieden werden. Diese sind:

- ◆ **Verletzungen durch Berühren rotierender/sich bewegender Teile.**
- ◆ **Verletzungen bei einem Wechsel von Teilen, Klingen oder Zubehör.**
- ◆ **Verletzungen, die durch zu lange Nutzung des Werkzeugs verursacht werden. Bei der längeren Verwendung eines Werkzeugs ist sicherzustellen, dass regelmäßig Pausen eingelegt werden.**
- ◆ **Schwerhörigkeit.**
- ◆ **Gesundheitsgefahren durch Einatmen von Staub bei der Benutzung des Werkzeugs (beispielsweise bei der Arbeit mit Holz, vor allem Eiche, Buche und MDF.)**

Schwingung

Die in den technischen Daten angegebenen erklärten Schwingungsemissionswerte und die Konformitätserklärung wurden entsprechend einem standardmäßigen Prüfungsverfahren gemäß EN60745 gemessen und können zum Vergleich eines Werkzeugs mit dem anderen verwendet werden. Die erklärten Schwingungsemissionswerte können auch in einer vorläufigen Expositionsbewertung verwendet werden.

Warnung! Der Schwingungsemissionswert während der tatsächlichen Verwendung des Elektrowerkzeugs kann in Abhängigkeit von den Arten, auf die das Werkzeug verwendet wird, vom erklärten Wert abweichen. Das Schwingungsniveau kann das angegebene Niveau übersteigen.

Bei der Bewertung der Schwingungsexposition zur Festlegung der durch die Richtlinie 2002/44/EG erforderlichen Sicherheitsmaßnahmen zum Schutz von Personen, die bei ihrer Beschäftigung regelmäßig Elektrowerkzeuge verwenden, muss eine Schätzung der Schwingungsexposition die tatsächlichen Nutzungsbedingungen und die Art berücksichtigen, auf die das Werkzeug verwendet wird, einschließlich der Beachtung

aller Teile des Betriebszyklus, wie die Male, die das Werkzeug ausgeschaltet wird und wenn es im Ruhemodus läuft zusätzlich zur Auslösezeit.

Etiketten am Werkzeug

Die folgenden Bildsymbole sowie der Datumscode werden auf dem Werkzeug ausgewiesen:



Warnung! Zur Reduzierung der Verletzungsgefahr muss der Nutzer die Betriebsanleitung lesen.



Tragen Sie eine Sicherheitsbrille oder Schutzbrille beim Bedienen dieses Werkzeugs.



Tragen Sie einen Gehörschutz beim Bedienen dieses Werkzeugs.

Elektrische Sicherheit



Dieses Werkzeug ist doppelt isoliert; deshalb ist ein Erdungsdraht erforderlich. Überprüfen Sie immer, dass die Stromversorgung der Spannung auf dem Typenschild entspricht.

- ◆ Wenn das Netzkabel beschädigt ist, muss es vom Hersteller oder von einem zugelassenen Stanley Fat Max Service Center ersetzt werden, um Gefahren zu vermeiden.

Merkmale

Dieses Werkzeug umfasst einige oder alle der folgenden Merkmale.

1. Ein-/Aus-Schalter
2. Zusatzhandgriff
3. Spindelverriegelung
4. Schleifschutz

Montage

Warnung! Stellen Sie vor der Montage sicher, dass das Werkzeug ausgeschaltet und ausgesteckt ist.

Anbringen und Entfernen der Schutzabdeckung (Abb. A)

Das Werkzeug ist mit einem Schutz für Schleif- und Schneidzwecke ausgestattet. Stellen Sie sicher, dass Sie den korrekten Schutz speziell für den vorgesehenen Betrieb verwenden. Ist das Gerät zur Durchführung von Abtrennarbeiten vorgesehen, muss eine Schutzabdeckung (17, Abb. F) speziell für diese Tätigkeit angebracht werden.

Verraubung

- ◆ Legen Sie das Werkzeug mit der Spindel (5) nach oben auf einen Tisch.

- ◆ Lösen Sie die Spannarretierung (7) und halten Sie die Schutzhaube (4) wie abgebildet über die Maschine.
- ◆ Richten Sie die Führungsnase (8) an den Kerben (9) aus.
- ◆ Drücken Sie die Schutzhaube nach unten und drehen Sie sie entgegen den Uhrzeigersinn in die gewünschte Stellung.
- ◆ Befestigen Sie den Klemmverschluss (7), um den Schutz am Werkzeug sichern.
- ◆ Ziehen Sie bei Bedarf die Schraube (6) fest, um die Spannkraft zu erhöhen.

Entfernung

- ◆ Lösen Sie den Klemmverschluss (7).
- ◆ Drehen Sie den Schutz im Uhrzeigersinn, um die Laschen (8) mit den Nuten (9) auszurichten.
- ◆ Entfernen Sie den Schutz vom Werkzeug.

Warnung! Verwenden Sie die Maschine niemals ohne Schutz.

Anbringen den Zusatzhandgriff

- ◆ Schrauben Sie den Zusatzhandgriff (2) in eines der Befestigungslöcher in dem Werkzeug.

Warnung! Benutzen Sie immer den Zusatzhandgriff.

Anbringen und Auswechseln der Schleif- oder Trennschleifscheibe (Abb. B - D)

Verwenden Sie für Ihre Anwendung immer den richtigen Scheibentyp. Verwenden Sie immer Scheiben mit dem richtigen Durchmesser und der richtigen Bohrungsgröße.

Verschraubung

- ◆ Bringen Sie den Schutz wie oben beschrieben an.
- ◆ Platzieren Sie den Innenflansch (10) auf die Spindel (5), wie dargestellt (Abb. B). Stellen Sie sicher, dass sich der Flansch korrekt an den flachen Seiten der Spindel befindet.
- ◆ Platzieren Sie die Scheibe (11) auf die Spindel (5), wie dargestellt (Abb. B). Hat die Scheibe einen erhöhten Mittelpunkt (12), dann stellen Sie sicher, dass die erhöhte Mitte zum Innenflansch zeigt.
- ◆ Stellen Sie sicher, dass die Scheibe sich korrekt am Innenflansch befindet.
- ◆ Platzieren Sie den Außenflansch (13) auf die Spindel. Beim Anbringen einer Schleifscheibe muss die erhöhte Mitte am Außenflansch in Richtung Scheibe zeigen (A in Abb. C). Beim Anbringen einer Schneidscheibe muss die erhöhte Mitte am Außenflansch von der Scheibe weg zeigen (B in Abb. C).
- ◆ Halten Sie die Spindelarretierung (3) nach unten gedrückt und ziehen Sie den Außenflansch mit dem Zweistiftschlüssel (14) fest (Abb. D).

Entfernung

- ◆ Halten Sie die Spindelarretierung (3) nach unten gedrückt und lösen Sie den Außenflansch mit dem Zweistiftschlüssel (14) (Abb. D).
- ◆ Entfernen Sie den Außenflansch (13) und die Scheibe (11).

Anpassen und Entfernen der Schmirgelscheiben (Abb. D & E)

Zum Schmirgeln ist ein Polierteller erforderlich. Der Polierteller ist bei Ihrem Stanley Fat Max Händler als Zubehör erhältlich.

Verschraubung

- ◆ Platzieren Sie den Innenflansch (10) auf die Spindel (5), wie dargestellt (Abb. E). Stellen Sie sicher, dass sich der Flansch korrekt an den flachen Seiten der Spindel befindet.
- ◆ Bringen Sie den Polierteller (15) auf der Spindel an.
- ◆ Legen Sie die Schmirgelscheibe (16) auf den Polierteller.
- ◆ Platzieren Sie den Außenflansch (13) auf die Spindel, wobei die erhöhte Mitte von der Scheibe wegzeigt.
- ◆ Halten Sie die Spindelarretierung (3) nach unten gedrückt und ziehen Sie den Außenflansch mit dem Zweistiftschlüssel (14) fest (Abb. D). Stellen Sie sicher, dass der Außenflansch korrekt befestigt ist und die Scheibe festgeklemmt ist.

Entfernung

- ◆ Halten Sie die Spindelarretierung (3) nach unten gedrückt und lösen Sie den Außenflansch (13) mit dem Zweistiftschlüssel (14) (Abb. D).
- ◆ Entfernen Sie den Außenflansch (13), die Schmirgelscheibe (16) und den Polierteller (15).

Verwendung

Warnung! Lassen Sie das Werkzeug die Geschwindigkeit selbst bestimmen. Nicht überlasten.

- ◆ Führen Sie das Kabel vorsichtig, um zu vermeiden, dass versehentlich hineingeschnitten wird.
- ◆ Seien Sie auf einen Funkenstrom vorbereitet, wenn die Schleif- oder Schneidscheibe das Werkstück berühren.
- ◆ Positionieren Sie das Werkzeug so, dass der Schutz den optimalen Schutz vor der Schleif- oder Schneidscheibe bietet.

Ein- und Ausschalten

- ◆ Zum Einschalten schieben Sie den Ein-/Ausschalter (1) nach vorne und drücken ihn dann hinein. Beachten Sie, dass das Werkzeug weiterläuft, wenn Sie den Schalter lösen.
- ◆ Drücken Sie zum Abschalten den hinteren Teil des Ein-/Ausschalters.

Warnung! Schalten Sie das Gerät nicht aus, wenn es unter Last ist.

Sanftanlauf

Der Sanftanlauf ermöglicht eine langsame Steigerung der Drehzahl und verhindert den Ruck beim Starten. Dieses Merkmal ist besonders nützlich bei Arbeiten in beengter Umgebung.

No-Volt

Die No-Volt-Funktion verhindert das Wiederanlaufen des Schleifgeräts, ohne dass der Schalter getaktet wurde, wenn es eine Unterbrechung in der Stromversorgung gab.

Hinweise für einen optimalen Gebrauch

- Halten Sie das Werkzeug mit einer Hand rund um den Nebengriff gut fest und umschließen Sie mit der anderen Hand den Hauptgriff.
- Behalten Sie beim Schleifen immer einen Winkel von ungefähr 15° zwischen der Scheibe und der Oberfläche des Werkstücks bei.

Wartung

Ihr Stanley Fat Max Gerät/Werkzeug mit Kabel/ohne Kabel wurde für langfristigen Betrieb mit minimalem Wartungsaufwand konstruiert. Ein kontinuierlicher, zufriedenstellender Betrieb hängt von der richtigen Pflege des Gerätes und seiner regelmäßigen Reinigung ab.

Warnung! Tun Sie vor der Durchführung von Wartungsarbeiten an Elektrowerkzeugen mit/ohne Kabel Folgendes durch:

- Schalten Sie das Gerät/Werkzeug aus und stecken Sie es aus.
- Oder schalten Sie das Gerät aus und entfernen Sie die Batterie aus dem Gerät/Werkzeug, wenn das Gerät/Werkzeug einen separaten Akku hat.
- Oder lassen Sie die Batterie komplett leer werden, wenn Sie eingebaut ist und schalten Sie das Gerät/Werkzeug dann ab.
- Stecken Sie das Ladegerät neben der normalen Reinigung keine Wartung.
- Reinigen Sie die Lüftungsschlitze in Ihrem Gerät/Werkzeug/Ladegerät mit einer weichen Bürste oder einem trockenen Tuch.
- Reinigen Sie das Motorgehäuse regelmäßig mit einem feuchten Tuch. Verwenden Sie keine scheuerndes oder lösungsmittelbasiertes Reinigungsmittel.
- Öffnen Sie das Bohrfutter regelmäßig und tippen Sie es an, um Staub aus dem Inneren zu entfernen (falls angebracht).

Umweltschutz



Abfalltrennung. Mit diesem Symbol gekennzeichnete Produkte und Batterien dürfen nicht im normalen Hausmüll entsorgt werden.

Produkte und Batterien enthalten Materialien, die zurückgewonnen oder recycelt werden können und die Nachfrage nach Rohstoffen reduzieren. Bitte recyceln Sie Elektroprodukte und Batterien gemäß den lokalen Bestimmungen.

Technische Daten

		FME821 (Typ 1)	FME822 (Typ 1)
Eingangsspannung	V_{AC}	230	230
Leistungsaufnahme	W	850	850
Nenn Drehzahl	min^{-1}	12.000	12.000
Scheibendurchmesser	mm	115	125
Scheibenbohrung	mm	22	22
Max. Scheibendicke			
Schleifscheiben	mm	6	6
Trennscheiben	mm	3,5	3,5
Spindelgröße		M14	M14
Gewicht	kg	2,1	2,1

L_{pA} (Schalldruck) 94,5 dB(A), Unsicherheit (K) 3 dB(A)
L_{WA} (Schalldruck) 105,5 dB(A), Unsicherheit (K) 3 dB(A)
Gesamtschwingungspegel (triaxiale Vektorsumme) gemäß EN60745:
Oberflächenschleifen ($a_{h,SG}$) 9,9 m/s^2 , Unsicherheit (K) 1,5 m/s^2
Abschneiden (a_N) 9,1 m/s^2 , Unsicherheit (K) 1,5 m/s^2
Polieren ($a_{h,p}$) 5,0 m/s^2 , Unsicherheit (K) 1,5 m/s^2
Scheibenschleifen ($a_{h,DS}$) 3,3 m/s^2 , Unsicherheit (K) 1,5 m/s^2

EG-Konformitätserklärung

MASCHINENRICHTLINIE



FME821 / FME822 Winkelschleifer

Stanley Europe erklärt hiermit, dass diese unter „Technische Daten“ beschriebenen Produkte die folgenden Vorschriften erfüllen:

2006/42/EC, EN60745-1:2009 +A11:2010;
EN60745-2-3:2011 +A2:2013 +A11:2014 +A12:2014

Diese Produkte entsprechen außerdem den Richtlinien 2004/108/EG (bis 19.4.2016), 2014/30/EU (ab 20.4.2016) und 2011/65/EU. Für weitere Informationen wenden Sie sich bitte an Black & Decker unter der folgenden Adresse oder schauen Sie auf der Rückseite dieser Betriebsanleitung nach.

Der Unterzeichnete ist verantwortlich für die Zusammenstellung des technischen Dossiers und gibt diese Erklärung im Namen von Stanley Europe ab.

Ray Laverick
Leiter Engineering
Stanley Europe, Egide Walschaertsstraat14-18,
2800 Mechelen, Belgien
25/08/2015

Garantie

Stanley Fat Max ist von der Qualität seiner Produkte überzeugt und bietet Kunden eine 12-monatige Garantie* ab dem Datum des Kaufs. Diese Garantie ist ergänzend und beeinträchtigt keinesfalls ihre gesetzlichen Ansprüche. Diese Garantie gilt innerhalb der Staatsgebiete der Mitgliedstaaten der Europäischen Union und der Europäischen Freihandelszone.

Für den Garantieanspruch muss der Anspruch mit den Stanley Fat Max Geschäftsbedingungen übereinstimmen und Sie müssen dem Verkäufer oder einer zugelassenen Reparaturwerkstatt einen Kaufbeleg vorlegen.

Die Geschäftsbedingungen der 1-jährigen der Stanley Fat Max Garantie sowie den Ort der nächsten zugelassenen Reparaturwerkstatt in Ihrer Nähe erhalten Sie im Internet unter www.2helpU.com oder in dem Sie Kontakt mit dem Stanley Fat Max Büro unter der in diesem Handbuch angegebenen Adresse aufnehmen.

Bitte besuchen Sie unsere Website unter www.stanleytools.co.uk, um Ihr neues Stanley Fat Max Produkt zu registrieren und um Updates zu neuen Produkten und Sonderangeboten zu erhalten.

Utilisation prévue

FR

Votre meuleuse d'angle Stanley Fat Max FME821, FME822 a été conçue pour le meulage et le tronçonnage de métal et matériaux de maçonnerie à l'aide de disques à tronçonner et à meuler adaptés. Équipé des dispositifs de protection appropriés, cet outil est destiné à la fois à un usage privé et professionnel.

Consignes de sécurité

Consignes de sécurité générales relatives aux outils électriques



Avertissement ! Lisez tous les avertissements et toutes les instructions. Le non-respect des avertissements et des instructions listés ci-dessous peut entraîner des chocs électriques, des incendies et/ou de graves blessures.

Conservez tous les avertissements et toutes les instructions afin de pouvoir vous y référer dans le futur. Le terme "outil électrique" mentionné dans tous les avertissements listés ci-dessous fait référence à vos outils électriques fonctionnant sur secteur (avec câble) ou sur pile ou batterie (sans fil).

1. **Sécurité de la zone de travail**
 - a. **Maintenez la zone de travail propre et bien éclairée.** Les zones sombres ou encombrées sont propices aux accidents.
 - b. **N'utilisez pas d'outils électriques dans un environnement présentant des risques d'explosion ou en présence de liquides, gaz ou poussières inflammables.** Les outils électriques créent des étincelles qui peuvent enflammer les poussières et les fumées.
 - c. **Maintenez les enfants et autres personnes éloignés lorsque les outils électriques sont en marche.** Toute distraction peut vous faire perdre le contrôle de l'outil.
2. **Sécurité électrique**
 - a. **Les prises des outils électriques doivent correspondre à la prise de courant murale. Ne modifiez jamais la prise d'aucune sorte. N'utilisez aucun adaptateur avec des outils électriques reliés à la terre.** L'utilisation de prises d'origine et de prises murales appropriées permet de réduire le risque de choc électrique.
 - b. **Évitez tout contact physique avec des surfaces reliées à la terre comme des tuyaux, des radiateurs, des fours et des réfrigérateurs par exemple.** Le risque de choc électrique augmente si votre corps est relié à la terre.
 - c. **N'exposez pas les outils électriques à la pluie, ni à l'humidité.** Le risque de choc électrique augmente si de l'eau pénètre dans un outil électrique.
 - d. **Ne tirez pas sur le cordon d'alimentation. N'utilisez jamais le cordon pour transporter, tirer ou débrancher l'outil électrique. Maintenez le cordon éloigné de la chaleur, des substances grasses, des bords tranchants ou des pièces mobiles.** Les cordons endommagés ou emmêlés augmentent le risque de choc électrique.
 - e. **Si vous utilisez un outil électrique à l'extérieur, utilisez une rallonge homologuée pour les travaux extérieurs.** L'utilisation d'un cordon adapté pour l'extérieur réduit le risque de choc électrique.
 - f. **Si l'utilisation d'un outil électrique dans un endroit humide est inévitable, utilisez une alimentation électrique protégée par un disjoncteur différentiel.** L'utilisation d'un disjoncteur différentiel réduit le risque de choc électrique.
3. **Sécurité personnelle**
 - a. **Restez vigilant, surveillez ce que vous faites et faites preuve de bon sens lorsque vous utilisez un outil électrique. N'utilisez pas d'outils électriques si vous êtes fatigué ou sous l'influence de drogue, d'alcool ou de médicaments.** Tout moment d'inattention pendant l'utilisation d'un outil électrique peut engendrer de graves blessures.
 - b. **Portez des équipements de protection individuelle. Portez toujours une protection oculaire.** Les équipements de protection comme les masques anti-poussières, les chaussures de sécurité antidérapantes, les casques ou les protections auditives utilisés à bon escient réduisent le risque de blessures.
 - c. **Empêchez tout démarrage par inadvertance. Assurez-vous que l'outil est en position OFF (Arrêt) avant de raccorder l'outil à l'alimentation électrique et/ou au bloc-batterie ou avant de ramasser ou de transporter l'outil.** Le fait de transporter les outils électriques le doigt sur l'interrupteur ou d'alimenter les outils électriques dont l'interrupteur est déjà en position de marche augmente les accidents.
 - d. **Retirez toutes les clés ou pinces de réglage avant de mettre l'outil en marche.** Une clé ou une pince restée fixée à la partie rotative de l'outil électrique peut engendrer des blessures.
 - e. **Ne présumez pas de vos forces. Gardez les pieds bien ancrés au sol et conservez votre équilibre en permanence.** Cela permet de mieux maîtriser l'outil électrique en cas de situations imprévues.
 - f. **Portez des vêtements appropriés. Ne portez aucun vêtement ample ou de bijou. Gardez vos cheveux, vos vêtements et vos gants éloignés des pièces mobiles.** Les vêtements amples, les bijoux ou les cheveux longs peuvent être happés par les pièces mobiles.

- g. **Si des dispositifs pour l'extraction des poussières ou des installations pour la récupération sont présents, assurez-vous qu'ils sont correctement raccordés et utilisés.** L'utilisation de dispositifs récupérateurs de poussières réduit les risques liés aux poussières.
4. **Utilisation et entretien d'un outil électrique**
- a. **Ne forcez pas sur l'outil électrique. Utilisez le bon outil adapté pour votre intervention.** Un outil adapté fonctionne mieux, de façon plus sûre et à la cadence pour laquelle il a été conçu.
- b. **N'utilisez pas l'outil électrique si son interrupteur Marche/Arrêt est défectueux.** Tout appareil électrique qui ne peut plus être commandé par son interrupteur est dangereux et doit être réparé.
- c. **Débranchez la prise du secteur et/ou le bloc-batterie de l'outil électrique avant d'effectuer tout réglage, de changer un accessoire ou de ranger l'outil électrique.** Ces mesures de sécurité préventives réduisent le risque de démarrage accidentel de l'outil électrique.
- d. **Rangez les outils électriques non utilisés hors de portée des enfants et ne laissez aucune personne ne connaissant pas ces outils ou leurs instructions d'utilisation les faire fonctionner.** Les outils électriques peuvent être dangereux entre des mains inexpérimentées.
- e. **Entretenez vos outils électriques. Vérifiez que les pièces mobiles sont alignées correctement et qu'elles ne sont pas coincées. Vérifiez qu'il n'y a pas de pièces cassées ou toute autre condition qui pourrait nuire au bon fonctionnement de l'outil. En cas de dommage, faites réparer l'outil électrique avant utilisation.** De nombreux accidents sont provoqués par des outils électriques mal entretenus.
- f. **Maintenez les organes de coupe affûtés et propres.** Des organes de coupe bien entretenus et affûtés sont moins susceptibles de rester coincés et sont plus faciles à contrôler.
- g. **Utilisez les outils électriques, les accessoires et les embouts d'outil conformément à ces instructions, en tenant compte des conditions de travail, ainsi que du travail à effectuer.** L'utilisation d'un outil électrique à des fins autres que celles pour lesquelles il a été prévu engendre des situations dangereuses.
5. **Révision**
- a. **Faites réviser/réparer votre outil électrique par une personne qualifiée, n'utilisant que des pièces de rechange d'origine.** Cela permet de garantir la sûreté de l'outil électrique.

Consignes de sécurité supplémentaires concernant les outils électriques



Avertissement ! Avertissements de sécurité supplémentaires pour pour les activités de meulage, ponçage, polissage et tronçonnage.

- ◆ **Cet outil électrique a été conçu pour le meulage, le ponçage, le polissage et le tronçonnage. Veuillez lire tous les avertissements de sécurité, toutes les instructions, illustrations et spécifications fournies avec cet outil électrique.** Le non respect des instructions listées ci-dessous peut conduire à des chocs électriques, des incendies et/ou de graves blessures.
- ◆ **Les opérations pour lesquelles l'outil électrique n'a pas été conçu peuvent engendrer des risques et conduire à des blessures.**
- ◆ **N'utilisez pas d'accessoires qui n'aient pas été spécifiquement conçus et recommandés par le fabricant de l'outil.** Le fait que l'accessoire puisse être fixé à votre outil électrique ne veut pas forcément dire que son utilisation est sans risque.
- ◆ **La vitesse nominale de l'accessoire doit être au moins égale à la vitesse maximum spécifiée sur l'outil électrique.** Les accessoires qui tournent plus vite que leur vitesse nominale peuvent rompre et voler en éclats.
- ◆ **Le diamètre extérieur et l'épaisseur de votre accessoire doivent correspondre à la capacité nominale de votre l'outil électrique.** Des accessoires mal dimensionnés ne peuvent pas être correctement protégés et contrôlés.
- ◆ **Le filetage d'installation des accessoires doit correspondre à celui de l'axe de la meuleuse. Pour les accessoires montés avec des brides, l'alésage de l'accessoire doit correspondre au diamètre de positionnement de la bride.** Les accessoires qui ne correspondent pas au dispositif d'installation de l'outil électrique ne tournent pas correctement, vibrent de façon excessive et peuvent provoquer la perte de contrôle de l'outil.
- ◆ **N'utilisez pas d'accessoires endommagés. Avant chaque utilisation, vérifiez tous les accessoires, l'absence d'ébréchantures ou de fissures sur les disques, l'absence de fissures ou d'usure excessive sur les patins-supports, l'absence d'usure excessive ou le desserrement et l'endommagement des fils. En cas de chute de l'outil électrique ou de l'un de ses accessoires, contrôlez l'absence de dommages et remplacez tout accessoire qui serait endommagé. Après avoir inspecté et installer un accessoire faites tourner l'outil électrique à la vitesse maximale à vide pendant une minute.** En général, c'est pendant ce délai de test que se brisent les accessoires endommagés.

- ◆ **Portez des équipements de protection individuelle.** En fonction de l'intervention, utilisez un écran facial ou des lunettes de protection. Si approprié, portez un masque anti-poussières, une protection auditive, des gants et un tablier d'atelier capables de stopper tout fragment abrasif ou provenant de la pièce à travailler. La protection oculaire doit être capable d'arrêter les débris générés par les diverses opérations. Le masque anti-poussières ou le respirateur doivent pouvoir filtrer les particules générées par votre intervention. Les expositions prolongées à un niveau de bruit élevé peuvent provoquer la perte de l'ouïe.
- ◆ **Maintenez les personnes présentes à une distance sûre de la zone de travail. Toute personne pénétrant dans la zone de travail doit porter des équipements de protection individuelle.** Des débris provenant de la pièce à travailler ou d'un accessoire brisé peuvent être éjectés et provoquer des blessures au-delà de la zone de travail immédiate.
- ◆ **Ne tenez l'outil que par ses surfaces de préhension isolées lorsque vous réalisez une opération pendant laquelle l'accessoire de coupe peut entrer en contact avec des câbles cachés ou son propre cordon électrique.** Tout contact de l'accessoire de coupe avec un fil sous tension peut mettre les parties métalliques exposées de l'outil sous tension et provoquer un choc électrique à l'utilisateur.
- ◆ **Maintenez le cordon électrique éloigné de l'accessoire en rotation.** En cas de perte de contrôle, le cordon pourrait être sectionné ou abîmé, et vos bras ou mains pourraient entrer en contact avec l'accessoire en rotation.
- ◆ **Ne posez jamais l'outil électrique avant que l'accessoire ne soit complètement arrêté.** L'accessoire en rotation pourrait sinon accrocher la surface et vous faire perdre le contrôle de l'outil.
- ◆ **Ne mettez pas l'outil en marche tant que vous le portez sur le côté.** Un contact accidentel avec l'accessoire en rotation pourrait accrocher vos vêtements, et entraîner l'accessoire vers votre corps.
- ◆ **Nettoyez régulièrement les orifices d'aération de l'outil électrique.** Le ventilateur du moteur attire la poussière à l'intérieur du boîtier et une accumulation excessive de poussières métalliques peut conduire à un risque électrique.
- ◆ **N'utilisez pas l'outil électrique à proximité de matières inflammables.** Des étincelles pourraient enflammer ces matières.
- ◆ **N'utilisez pas d'accessoires nécessitant l'utilisation d'un liquide de refroidissement.** L'utilisation d'eau ou de tout autre fluide de refroidissement peut provoquer une électrocution ou un choc électrique.

Remarque : L'avertissement ci-dessus ne s'applique pas aux outils électriques spécialement conçus pour une utilisation avec un système à liquide.

Rebond et avertissements liés

Les rebonds sont une réaction soudaine au pincement ou au grippage d'un disque, d'un patin-support, d'une brosse ou de tout autre accessoire. Le pincement ou le grippage provoque le blocage rapide de l'accessoire en rotation forçant alors l'outil électrique non contrôlé à se diriger dans la direction opposée par rapport à son sens de rotation au niveau du point de grippage.

Par exemple, si un disque abrasif reste grippé ou pincé dans l'ouvrage, le bord du disque engagé au point de grippage peut s'enfoncer dans la surface du matériau ce qui le fait tressauter ou rebondir. Le disque peut alors rebondir vers ou à l'opposé de l'utilisateur, selon le sens du mouvement du disque au niveau du point de grippage.

Dans ces conditions, il peut aussi arriver que les disques abrasifs se brisent.

Les rebonds proviennent d'une utilisation inappropriée de l'outil électrique et/ou de conditions ou procédures d'exécution incorrectes, et peuvent être évités en prenant les précautions adéquates énoncées ci-dessous.

- ◆ **Maintenez fermement l'outil électrique et placez votre corps et votre bras de façon à pouvoir résister à la force d'un rebond. Utilisez toujours la poignée auxiliaire, si elle existe, pour un contrôle maximal de l'outil en cas de rebonds ou de retour de couple au démarrage.** L'utilisateur peut contrôler les retours de couple au force des rebonds si des précautions adéquates sont prises.
- ◆ **Ne placez jamais vos mains près de l'accessoire en rotation.** L'accessoire pourrait rebondir sur vos mains.
- ◆ **Ne positionnez pas votre corps dans l'espace que pourrait occuper l'outil en cas de rebonds.** Un rebond propulse l'outil dans la direction opposée au mouvement du disque au niveau du point de grippage.
- ◆ **Prenez des précautions particulières si vous travaillez dans des coins, des bords acérés, etc. Évitez de faire rebondir l'outil sur la matière et le grippage de l'accessoire.** Les coins, bords acérés ou les rebondis ont tendance à faire accrocher l'accessoire en rotation et à provoquer la perte de contrôle de l'outil ou des rebonds.
- ◆ **Ne fixez pas de lame à sculpter ou de lame dentée.** Ces lames provoquent de fréquents rebonds ou pertes de contrôle.

Consignes spécifiques de sécurité propres aux opérations de meulage et de tronçonnage :

- ◆ **N'utilisez que les types de disques recommandés pour votre outil électrique ainsi que le dispositif de protection spécifiquement conçu pour le disque choisi.** Les disques non conçus pour l'outil électrique ne peuvent pas être correctement protégés et ils sont dangereux.
- ◆ **La surface de meulage des disques à moyeu déporté doit être montée sous le plat de la lèvre du carter.** Un disque mal monté qui dépasse du plat de la lèvre du carter ne peut pas être correctement protégé.
- ◆ **Le dispositif de protection doit être soigneusement fixé à l'outil électrique et placé de façon à optimiser la sécurité, de façon à ce que l'utilisateur soit le moins possible exposé au disque.** La protection doit protéger l'utilisateur contre les fragments de disques cassés, le contact accidentel avec le disque et les étincelles qui pourraient enflammer les vêtements.
- ◆ **Les disques ne doivent être utilisés que pour les applications recommandées. Ne meulez par exemple pas avec le côté d'un disque à tronçonner.** Les disques abrasifs sont prévus pour le meulage périphérique, toute force latérale appliquée sur ces disques peut les faire voler en éclats.
- ◆ **Utilisez toujours des brides de disques en parfait état, de taille et de forme adaptées au disque choisi.** Les brides de disque servent de support aux disques, réduisant ainsi les possibilités de rupture. Les brides de disques à tronçonner peuvent différer des brides de disques à meuler.
- ◆ **N'utilisez pas de disques usés provenant d'autres outils électriques plus gros.** Les disques conçus pour des outils électriques plus gros ne sont pas adaptés pour les vitesses plus rapides des outils plus petits et ils peuvent voler en éclats.

Consignes de sécurité spécifiques supplémentaires propres aux opérations de tronçonnage

- ◆ **Ne coincez pas le disque à tronçonner et ne lui appliquez pas une pression excessive. Ne tentez pas de réaliser des découpes de trop grandes profondeurs.** Une pression excessive sur le disque augmente la charge imposée à l'outil et les possibilités de torsion ou de grippage du disque dans la coupe et par conséquent les risques de rebonds ou de ruptures.
- ◆ **Ne placez pas votre corps dans l'alignement ou derrière le disque en rotation.** Lorsque le disque, au point d'exécution, s'éloigne de votre corps, le rebond possible peut le propulser avec l'outil électrique directement vers vous.

- ◆ **En cas de grippage du disque ou si une découpe est interrompue pour une quelconque raison, éteignez l'outil électrique et maintenez-le immobile jusqu'à l'arrêt complet du disque. Ne tentez jamais de retirer un disque à tronçonner de la coupe alors qu'il est en rotation, un rebond pourrait sinon se produire.** Cherchez la cause du grippage du disque et appliquez les actions correctives afin de la supprimer.
- ◆ **Ne redémarrez pas l'outil dans l'ouvrage. Laissez le disque tourner à plein régime puis ré-entrez le prudemment dans la coupe.** Le disque pourrait sinon se gripper, sortir de la coupe ou rebondir si l'outil électrique est remis en marche à l'intérieur de la pièce à découper.
- ◆ **Soutenez les panneaux et les pièces de grandes tailles afin de minimiser le risque de coincement du disque et les rebonds.** Les pièces de grande taille ont tendance à s'affaisser sous leur propre poids. Des supports doivent être placés sous la pièce à découper, près de la ligne de découpe, des deux côtés du disque.
- ◆ **Prenez des précautions supplémentaires pour les « découpes de cavités » dans des murs existants ou dans toute zone à visibilité limitée.** La saillie du disque pourrait sectionner des tuyaux de gaz ou d'eau, des fils électriques ou des objets pouvant provoquer des rebonds.

Avertissements de sécurité spécifiques propres au ponçage

- ◆ **N'utilisez pas des disques de papier abrasif surdimensionnés. Suivez les recommandations du fabricant lorsque vous choisissez du papier à poncer.** Les feuilles de papier abrasif de grande taille, dépassant du patin de ponçage, posent des risques de lacération, et peuvent provoquer l'accrochage ou la rupture du disque ou des rebonds.

Avertissement de sécurité spécifiques propres au polissage

- ◆ **Ne laissez aucune portion flottante du bonnet de polissage ou de ses cordons de fixation tourner librement. Rangez ou coupez les parties de cordons de fixation en surplus.** Des cordons de fixation trop longs, en rotation libre, peuvent se prendre dans les doigts ou dans la pièce à travailler.

Sécurité des personnes

- ◆ **Cet appareil n'est pas conçu pour être utilisé par des personnes (y compris des enfants) aux capacités physiques, sensorielles ou intellectuelles réduites ou sans expérience ni connaissances, à moins qu'elles ne soient sous surveillance ou qu'elles aient été informées sur la façon sûre d'utiliser l'appareil, par une personne responsable de leur sécurité.**

- ◆ Ne laissez jamais les enfants sans surveillance afin d'éviter qu'ils ne jouent avec l'appareil.

Risques résiduels.

Certains risques résiduels autres que ceux mentionnés dans les avertissements sur la sécurité peuvent survenir en utilisant l'outil. Ces risques peuvent être provoqués par une utilisation incorrecte, prolongée, etc...

Malgré l'application des normes de sécurité pertinentes et la présence de dispositifs de sécurité, certains risques résiduels ne peuvent pas être évités. Ils comprennent :

- ◆ **Les blessures provoquées par le contact avec les pièces rotatives/mobiles.**
- ◆ **Les blessures provoquées pendant le remplacement de pièces, de lames ou d'accessoires.**
- ◆ **Les blessures dues à l'utilisation prolongée d'un outil. Lorsque l'outil est utilisé pendant de longues périodes, assurez-vous de faire des pauses régulières.**
- ◆ **La perte de l'ouïe.**
- ◆ **Les risques pour la santé provoqués par l'inhalation des poussières générées pendant l'utilisation de votre outil (exemple : travail avec du bois, surtout le chêne, le hêtre et les panneaux en MDF)**

Vibrations

La valeur des émissions de vibrations déclarée dans les caractéristiques techniques et la déclaration de conformité a été mesurée conformément à la méthode de test standard de la norme EN60745 et peut être utilisée pour comparer un outil à un autre. La valeur des émissions de vibrations déclarée peut aussi être utilisée pour une évaluation préliminaire de l'exposition.

Avertissement ! En fonction de la manière dont l'outil est utilisé, la valeur des émissions de vibrations réelles pendant l'utilisation de l'outil peut différer de la valeur déclarée. Le niveau des vibrations peut dépasser le niveau déclaré. Quand l'exposition aux vibrations est évaluée afin de déterminer les mesures de sécurité requises par la norme 2002/44/CE pour protéger les personnes utilisant régulièrement des outils électriques, cette estimation doit tenir compte des conditions réelles d'utilisation et de la façon dont l'outil est utilisé. Il faut également tenir compte de toutes les composantes du cycle de fonctionnement comme la durée pendant laquelle l'outil est arrêté et quand il fonctionne au ralenti, ainsi que la durée du déclenchement.

Étiquettes sur l'outil

Les pictogrammes suivants ainsi que le code date sont apposés sur l'outil :



Avertissement ! Pour réduire le risque de blessures, l'utilisateur doit lire le manuel d'instructions.



Portez des lunettes de protection lorsque vous utilisez cet outil.



Portez des protections auditives lorsque vous utilisez cet outil.

Sécurité électrique



Cet outil est doublement isolé et ne nécessite donc aucun fil de terre. Vérifiez toujours que l'alimentation électrique correspond à la tension indiquée sur la plaque signalétique.

- ◆ Si le câble d'alimentation est endommagé, il doit être remplacé par le fabricant ou par un centre d'assistance agréé Stanley Fat Max afin d'éviter les risques éventuels.

Caractéristiques

Cet outil dispose de tout ou partie des caractéristiques suivantes.

1. Interrupteur Marche/Arrêt
2. Poignée latérale
3. Système de verrouillage de l'axe
4. Dispositif de protection pour le meulage

Assemblage

Avertissement ! Avant l'assemblage, assurez-vous que l'outil est éteint et débranché.

Mise en place et retrait de la protection (fig. A)

L'outil est livré avec un dispositif de protection pour les opérations de meulage et de tronçonnage. Assurez-vous d'utiliser le dispositif de protection spécifique en fonction de l'opération. Si l'appareil est prévu pour effectuer des opérations de tronçonnage, un dispositif de protection (17, Fig. F) spécifique à cette opération doit être installé.

Installation

- ◆ Placez l'outil sur une table en orientant l'axe (5) vers le haut.
- ◆ Libérez le système de verrouillage (7) et maintenez le dispositif de protection (4) au-dessus de l'outil, comme illustré.
- ◆ Alignez les pattes (8) avec les encoches (9).
- ◆ Abaissez la protection et tournez-la dans le sens inverse des aiguilles d'une montre jusqu'à la bonne position.
- ◆ Fixez le système de verrouillage (7) pour sécuriser la protection sur l'outil.

- ◆ Si nécessaire, serrez la vis (6) pour augmenter la force de serrage.

Retrait

- ◆ Libérez le système de verrouillage (7).
- ◆ Tournez la protection dans les sens des aiguilles d'une montre pour aligner les pattes (8) avec les encoches (9).
- ◆ Retirez la protection de l'outil.

Avvertissement ! N'utilisez jamais l'outil sans protection.

Installation de la poignée latérale

- ◆ Vissez la poignée latérale (2) dans l'un des trous de fixation de l'outil.

Avvertissement ! Utilisez toujours la poignée latérale.

Installation et retrait des disques à meuler ou tronçonner (fig. B, D)

Utilisez toujours le bon type de disque en fonction de votre intervention. Utilisez toujours des disques du bon diamètre et dont le trou est à la bonne taille (voir donnée technique).

Installation

- ◆ Installez la protection comme décrit plus haut.
- ◆ Placez la bride intérieure (10) sur l'axe (5) comme illustré (fig. B). Assurez-vous que la bride est correctement positionnée sur les côtés plats de l'axe.
- ◆ Placez le disque (11) sur l'axe (5) comme illustré (fig. B). Si le disque est bombé au centre (12), assurez-vous que la partie bombée pointe vers la bride intérieure.
- ◆ Assurez-vous que le disque tourne correctement sur la bride intérieure.
- ◆ Placez la bride extérieure (13) sur l'axe. Lorsque vous installez un disque à meuler, le centre bombé sur la bride extérieure doit pointer vers le disque (A sur la fig. C). Lorsque vous installez un disque à tronçonner, le centre bombé sur la bride extérieure doit pointer vers l'extérieur du disque (B sur la fig. C).
- ◆ Maintenez le système de verrouillage de l'axe (3) enfoncé et serrez la bride extérieure à l'aide d'une clé à deux griffes (14) (fig. D).

Retrait

- ◆ Maintenez le système de verrouillage de l'axe (3) enfoncé et desserrez la bride extérieure (13) à l'aide d'une clé à deux griffes (14) (fig. D).
- ◆ Retirez la bride extérieure (13) du disque (11).

Installation et retrait des disques à poncer (fig. D et E)

Un patin-support est nécessaire pour le ponçage. Le patin-support est un accessoire disponible auprès de votre revendeur Stanley Fat Max.

Installation

- ◆ Placez la bride intérieure (10) sur l'axe (5) comme illustré (fig. E). Assurez-vous que la bride est correctement positionnée sur les côtés plats de l'axe.
- ◆ Placez le patin-support (15) sur l'axe.
- ◆ Placez le disque à poncer (16) sur le patin-support.
- ◆ Placez la bride extérieure (13) sur l'axe, centre bombé pointant vers l'extérieur du disque.
- ◆ Maintenez le système de verrouillage de l'axe (3) enfoncé et serrez la bride extérieure à l'aide d'une clé à deux griffes (14) (fig. D). Assurez-vous que la bride extérieure est correctement installée et que le disque est fermement serré.

Retrait

- ◆ Maintenez le système de verrouillage de l'axe (3) enfoncé et desserrez la bride extérieure (13) à l'aide d'une clé à deux griffes (14) (fig. D).
- ◆ Retirez la bride extérieure (13), le disque à poncer (16) et le patin-support (15).

Utilisation

Avvertissement ! Laissez l'outil fonctionner à son propre rythme. Ne le poussez pas au-delà de ses limites.

- ◆ Guidez soigneusement le câble afin d'éviter de le couper accidentellement.
- ◆ Restez préparé à l'apparition d'un faisceau d'étincelles au moment où le disque à meuler ou à tronçonner touche l'ouvrage.
- ◆ Positionnez toujours l'outil de façon que la protection vous protège de façon optimale du disque à meuler ou à tronçonner.

Mise en marche et arrêt

- ◆ Pour allumer l'appareil, glissez l'interrupteur Marche/Arrêt (1) vers l'avant avant d'appuyer dessus. Il est à noter que l'outil continue à tourner lorsque vous relâchez l'interrupteur.
- ◆ Pour éteindre l'outil, appuyez sur la partie arrière de l'interrupteur Marche/Arrêt.

Avvertissement ! N'éteignez pas l'outil s'il ne tourne pas à vide.

Fonction Démarrage en douceur

La fonction Démarrage en douceur permet d'augmenter la vitesse progressivement et d'éviter la secousse initiale du démarrage. Cette fonctionnalité est particulièrement utile pour travailler dans des espaces réduits.

Perte de tension

La fonction Perte de tension stoppe le redémarrage de la meuleuse sans que l'interrupteur ne soit actionné en cas de coupure de l'alimentation électrique.

Conseils pour une utilisation optimale

- ◆ Maintenez fermement l'outil, une main autour de la poignée latérale et l'autre autour de la poignée principale.
- ◆ Pendant le meulage, maintenez toujours un angle d'environ 15° entre le disque et la surface de l'ouvrage.

Maintenance

Votre outil Stanley Fat Max avec ou sans fil a été conçu pour fonctionner pendant longtemps avec un minimum d'entretien. Le fonctionnement continu et satisfaisant de l'outil dépend d'un entretien adéquat et d'un nettoyage régulier.

Avertissement ! Avant toute intervention de maintenance sur des outils électriques avec ou sans fil :

- ◆ Arrêtez et débranchez l'appareil/outil.
- ◆ Ou, éteignez l'appareil/l'outil et retirez en la batterie si celui-ci est muni d'un bloc-batterie séparé.
- ◆ Ou déchargez complètement la batterie si elle est intégrée au système, puis éteignez l'appareil.
- ◆ Débranchez le chargeur avant de le nettoyer. Votre chargeur ne nécessite aucun entretien particulier, à l'exception d'un nettoyage régulier.
- ◆ Nettoyez régulièrement les fentes d'aération de votre appareil/outil/chargeur à l'aide d'une brosse souple ou d'un chiffon sec.
- ◆ Nettoyez régulièrement le carter moteur à l'aide d'un chiffon humide. N'utilisez pas de détergents abrasifs ou à base de solvants.
- ◆ Ouvrez régulièrement le mandrin et retirez la poussière à l'intérieur en tapotant dessus (s'il est installé).

Protection de l'environnement



Tri sélectif. Les produits et batteries marqués de ce symbole ne doivent pas être jetés avec les déchets ménagers.

Les produits et batteries contiennent des matières qui peuvent être récupérées et recyclées afin de réduire la demande en matières premières. Veuillez recycler les produits électriques et les batteries conformément aux dispositions locales en vigueur.

Données techniques

		FME821 (Type 1)	FME822 (Type 1)
Tension d'entrée	V_{CA}	230	230
Puissance absorbée	W	850	850
Vitesse à nominale	min^{-1}	12 000	12 000
Diamètre de disque	mm	115	125
Orifice du disque	mm	22	22
Épaisseur max. du disque			
disques à meuler	mm	6	6
disques à tronçonner	mm	3,5	3,5
Taille de l'axe		M14	M14
Poids	kg	2,1	2,1

L_{pA} (pression acoustique) 94,5 dB(A), incertitude (K) 3 dB(A)

L_{WA} (pression acoustique) 105,5 dB(A), incertitude (K) 3 dB(A)

Valeurs totales des vibrations (somme vectorielle triaxiale) selon la norme EN60745 :

Meulage en surface ($a_{h,SG}$) 9,9 m/s^2 , incertitude (K) 1,5 m/s^2

Tronçonnage (a_h) 9,1 m/s^2 , incertitude (K) 1,5 m/s^2

Polissage ($a_{h,p}$) 5,0 m/s^2 , incertitude (K) 1,5 m/s^2

Ponçage disque ($a_{h,DS}$) 3,3 m/s^2 , incertitude (K) 1,5 m/s^2

Déclaration de conformité CE

DIRECTIVES MACHINES



Meuleuse d'angle FME821 / FME822

Stanley Europe déclare que les produits décrits dans les « Caractéristiques techniques » sont conformes aux normes : 2006/42/CE, EN60745-1:2009 +A11:2010;

EN60745-2-3:2011 +A2:2013 +A11:2014 +A12:2014

Ces produits sont aussi conformes aux directives 2004/108/CE (jusqu'au 19.04.2016), 2014/30/UE (à partir du 20.04.2016) et 2011/65/UE. Pour plus de détails, veuillez contacter Black & Decker à l'adresse suivante ou vous reporter au dos du manuel.

Le soussigné est responsable de la compilation du fichier technique et fait cette déclaration au nom de Stanley Europe.

Ray Laverick
Directeur Ingénierie
Stanley Europe, Egide Walschaertsstraat14-18,
2800 Mechelen, Belgique
25/08/2015

Garantie

Stanley Fat Max assure la qualité de ses produits et offre une garantie* de 12 mois aux utilisateurs, à partir de la date d'achat. Cette garantie s'ajoute à vos droits légaux auxquels elle ne porte aucunement préjudice. Cette garantie est valable au sein des territoires des États membres de l'Union Européenne et au sein de la Zone européenne de libre-échange.

Pour prétendre à la garantie, la réclamation doit être en conformité avec les conditions générales de Stanley Fat Max et vous devez fournir une preuve d'achat au vendeur ou au réparateur agréé.

Les conditions générales de la garantie de 1 an Stanley Fat Max ainsi que l'adresse du réparateur agréé le plus proche sont disponibles sur le site Internet www.2helpU.com ou en contactant votre agence Stanley Fat Max locale à l'adresse indiquée dans ce manuel.

Veuillez consulter notre site Internet www.stanleytools.co.uk pour enregistrer votre nouveau produit Stanley Fat Max et pour être tenu informé des nouveaux produits et offres spéciales.

Uso previsto

La smerigliatrice angolare Stanley Fat Max FME821, FME822 è stata progettata per eseguire operazioni di smerigliatura e taglio di metalli e prodotti in muratura, utilizzando il tipo di disco di taglio e smerigliatura adatto. Se dotato dell'apposita protezione, questo elettrotensile è destinato a utenti non professionisti, per uso professionale e privato.

Istruzioni di Sicurezza

Avvertenze generali di sicurezza per gli elettrotensili



Avvertenza! Leggere attentamente tutte le avvertenze e le istruzioni. La mancata osservanza delle avvertenze e istruzioni seguenti potrebbe causare scosse elettriche, incendi e/o gravi lesioni personali.

Conservare tutte le avvertenze e le istruzioni per consultazioni future. Il termine "elettrotensile" utilizzato nelle avvertenze fa riferimento sia agli apparati alimentati a corrente (con cavo elettrico), sia a quelli a batteria (senza cavo).

1. Sicurezza dell'area di lavoro

- a. **Tenere pulita e ben illuminata l'area di lavoro.** Gli ambienti disordinati o scarsamente illuminati favoriscono gli incidenti.
- b. **Non azionare gli elettrotensili in ambienti con atmosfera esplosiva, come quelli in presenza di liquidi, gas o polveri infiammabili.** Gli elettrotensili producono scintille che possono incendiare le polveri o i fumi.
- c. **Durante l'uso di un elettrotensile, tenere lontani i bambini e chiunque si trovi nelle vicinanze.** Le distrazioni possono provocare la perdita di controllo.

2. Sicurezza elettrica

- a. **Le spine dell'elettrotensile devono essere adatte alla presa di alimentazione. Non modificare la spina in alcun modo. Non collegare un adattatore alla spina di un elettrotensile dotato di scarico a terra.** Per ridurre il rischio di scossa elettrica evitare di modificare le spine e utilizzare sempre le prese appropriate.
- b. **Evitare il contatto con superfici collegate a terra, quali tubature, termosifoni, fornelli e frigoriferi.** Se il proprio corpo entra in contatto con superfici collegate a terra, il rischio di scossa elettrica aumenta.
- c. **Non esporre gli elettrotensili alla pioggia o all'umidità.** Se l'acqua entra nell'elettrotensile aumenta il rischio di scossa elettrica.

- d. **Non maltrattare il cavo elettrico. Non utilizzare mai il cavo per spostare, tirare o scollegare l'elettrotensile. Tenere il cavo elettrico lontano da fonti di calore, olio, bordi taglienti o parti in movimento.** Se il cavo è danneggiato o impigliato, il rischio di scossa elettrica aumenta.
- e. **Quando l'elettrotensile viene impiegato all'aperto, utilizzare unicamente cavi di prolunga previsti per esterni.** L'uso di un cavo elettrico adatto ad ambienti esterni riduce il rischio di scossa elettrica.
- f. **Se non è possibile evitare l'uso di un elettrotensile in ambienti umidi, utilizzare una fonte di corrente protetta da un interruttore differenziale (salvavita).** L'uso di un interruttore differenziale riduce il rischio di scossa elettrica.

3. Sicurezza personale

- a. **Quando si utilizza un elettrotensile evitare di distrarsi. Prestare attenzione a quello che si sta facendo e utilizzare il buon senso. Non utilizzare l'elettrotensile quando si è stanchi o sotto l'effetto di droghe, alcool o medicinali.** Un solo attimo di distrazione durante l'uso di tali elettrotensili potrebbe provocare gravi lesioni personali
- b. **Indossare dispositivi di protezione individuale. Utilizzare sempre protezioni oculari.** L'uso di dispositivi di protezione, quali mascherine antipolvere, scarpe antinfortunistiche antiscivolo, caschi di sicurezza o protezioni uditive, in condizioni opportune consente di ridurre le lesioni personali.
- c. **Evitare l'avvio involontario. Assicurarsi che l'interruttore sia in posizione di spento prima inserire l'alimentazione elettrica e/o il pacco batteria e prima di afferrare o trasportare l'utensile.** Il trasporto di elettrotensili tenendo il dito sull'interruttore o quando sono collegati alla rete elettrica con l'interruttore nella posizione di accesso provoca incidenti.
- d. **Prima di accendere l'elettrotensile, rimuovere eventuali chiavi o utensili di regolazione.** Un utensile di regolazione o una chiave attaccati a una parte rotante dell'elettrotensile possono provocare lesioni personali.
- e. **Non sbilanciarsi. Mantenere sempre un appoggio e un equilibrio adeguati.** Ciò consente un migliore controllo dell'elettrotensile nelle situazioni impreviste.
- f. **Usare il vestiario appropriato. Non indossare abiti larghi o gioielli. Tenere i capelli, i vestiti e i guanti lontano dalle parti mobili.** Abiti larghi, gioielli o capelli lunghi possono impigliarsi nelle parti in movimento.
- g. **Se gli elettrotensili sono forniti di collegamento con impianti di aspirazione e raccolta delle polveri, assicurarsi che siano collegati e utilizzati correttamente.** La raccolta delle polveri può ridurre i pericoli legati a queste ultime.

- 4. Uso e cura degli elettroutensili**
- a. Non forzare l'elettroutensile. Utilizzare un elettroutensile adatto al lavoro da eseguire.**
L'elettroutensile lavora meglio e con maggior sicurezza se utilizzato in base all'uso previsto.
- b. Non utilizzare l'elettroutensile se l'interruttore non permette l'accensione o lo spegnimento.** Qualsiasi elettroutensile che non possa essere controllato tramite l'interruttore è pericoloso e deve essere riparato.
- c. Staccare la spina dall'alimentazione elettrica e/o il pacco batteria dell'elettroutensile prima di effettuare qualsiasi tipo di regolazione, prima di cambiare gli accessori o di riporlo.** Queste misure di sicurezza preventive riducono il rischio di azionare l'elettroutensile accidentalmente.
- d. Riporre gli elettroutensili non utilizzati fuori dalla portata dei bambini ed evitarne l'uso da parte di persone che hanno poca familiarità con l'elettroutensile e con le presenti istruzioni.** Gli elettroutensili sono pericolosi in mano a persone inesperte.
- e. Eseguire una manutenzione adeguata degli elettroutensili. Verificare il cattivo allineamento e inceppamento di parti mobili, la rottura di componenti e ogni altra condizione che possa influire sul funzionamento degli elettroutensili. Se danneggiato, far riparare l'elettroutensile prima dell'uso.** Molti incidenti sono provocati da elettroutensili non sottoposti a una corretta manutenzione.
- f. Mantenere gli utensili da taglio affilati e puliti.** La manutenzione corretta degli utensili da taglio con bordi affilati riduce le probabilità di inceppamento e ne facilita il controllo.
- g. Utilizzare l'elettroutensile, gli accessori, le punte ecc., rispettando le presenti istruzioni e tenendo in considerazione le condizioni di funzionamento e il lavoro da eseguire.** L'utilizzo dell'elettroutensile per impieghi diversi da quelli previsti può provocare situazioni di pericolo.
- 5. Assistenza**
- a. L'elettroutensile deve essere riparato da personale qualificato, che utilizzi ricambi originali identici alle parti da sostituire.** In questo modo viene garantita la sicurezza dell'elettroutensile.

- ◆ **Questo elettroutensile è destinato all'uso come smerigliatrice, sabbiatrice o utensile di taglio. Leggere attentamente tutte le avvertenze, istruzioni, illustrazioni e specifiche fornite con l'apparato.** La mancata osservanza delle istruzioni seguenti può dar luogo a scossa elettrica, incendio e/o lesioni gravi.
- ◆ **L'esecuzione di operazioni per le quali l'elettroutensile non è stato progettato comporta dei rischi e può causare lesioni personali.**
- ◆ **Non utilizzare accessori non progettati appositamente o non consigliati dal produttore dell'elettroutensile.** Anche se un accessorio può essere collegato all'elettroutensile, ciò non ne garantisce la sicurezza di utilizzo.
- ◆ **La velocità nominale dell'accessorio deve essere almeno pari alla velocità massima indicata sull'elettroutensile.** Gli accessori fatti funzionare a una velocità superiore rispetto a quella nominale possono rompersi e disintegrarsi.
- ◆ **Il diametro esterno e lo spessore dell'accessorio devono rientrare nei limiti previsti per l'elettroutensile.** Non è possibile proteggere o controllare adeguatamente gli accessori di dimensioni errate.
- ◆ **L'attacco filettato degli accessori deve corrispondere alla filettatura del mandrino della smerigliatrice. Per gli accessori montati tramite flange, il foro dell'albero dell'accessorio deve corrispondere al diametro di posizionamento della flangia.** Gli accessori che non corrispondono alla struttura di montaggio dell'apparato non mantengono l'equilibrio, vibrano eccessivamente e possono causare la perdita di controllo.
- ◆ **Non utilizzare accessori danneggiati.** Prima di ogni utilizzo controllare gli accessori affinché sui dischi abrasivi non vi siano scheggiature e lesioni, non siano presenti crepe o segni eccessivi di usura sul platello e che le spazzole metalliche non presentino filamenti metallici staccati o spezzati. Se l'elettroutensile o l'accessorio è caduto, verificare eventuali danni o installare un accessorio non danneggiato. Dopo avere controllato e installato un accessorio azionare l'elettroutensile alla velocità massima a vuoto per un minuto. Gli accessori danneggiati normalmente si rompono durante questa fase di verifica.
- ◆ **Indossare dispositivi di protezione individuale. A seconda delle operazioni, utilizzare una maschera o occhiali di protezione. Se opportuno, indossare una mascherina antipolvere, protezioni acustiche, guanti e un grembiule da lavoro in grado di arrestare frammenti abrasivi o di lavorazione di piccole dimensioni.** La protezione oculare deve impedire ai detriti volanti generati dalle varie operazioni di raggiungere gli occhi.

Avvertenze di sicurezza aggiuntive per gli elettroutensili



Avvertenza! Avvertenze di sicurezza aggiuntive per le operazioni di smerigliatura, carteggiatura, lucidatura o taglio abrasivo.

La maschera antipolvere o il respiratore devono essere in grado di filtrare le particelle generate dalle operazioni. L'esposizione prolungata a rumori di alta intensità può causare la perdita dell'udito.

- ◆ **Tenere i non addetti ai lavori a distanza di sicurezza dalla zona di lavoro. Chiunque acceda alla zona di lavoro deve indossare abbigliamento di protezione adeguato.** Frammenti del pezzo da lavorare o di un accessorio rotto possono volare via e causare lesioni al di là dell'immediata area di lavoro.
- ◆ **Sostenere l'elettrotensile soltanto mediante supporti dotati di superfici isolanti, quando si eseguono operazioni in cui l'accessorio di taglio potrebbe toccare cavi elettrici nascosti o il proprio cavo di alimentazione** Gli accessori da taglio che vengono a contatto con un cavo sotto tensione trasmettono la corrente elettrica anche alle parti metalliche esposte dell'apparato e possono provocare la folgorazione dell'operatore.
- ◆ **Posizionare il cavo lontano dall'accessorio in rotazione.** In caso di perdita di controllo, il cavo può essere tagliato o impigliato e potrebbe avere una forza tale da trascinare la mano o il braccio dell'operatore verso l'accessorio in rotazione.
- ◆ **Non appoggiare mai l'elettrotensile finché l'accessorio non si è completamente arrestato.** L'accessorio in rotazione potrebbe fare presa sulla superficie e trascinare l'elettrotensile, facendone perdere il controllo.
- ◆ **Non azionare l'elettrotensile mentre lo si trasporta sul fianco.** Un contatto accidentale con l'accessorio in rotazione può farlo impigliare ai vestiti e trascinarlo verso il corpo dell'operatore.
- ◆ **Pulire regolarmente le prese d'aria dell'elettrotensile.** La ventola del motore può attirare la polvere all'interno dell'alloggiamento e l'accumulo eccessivo di metallo polverizzato può causare pericoli elettrici.
- ◆ **Non utilizzare l'elettrotensile vicino a materiali infiammabili.** Le scintille possono far incendiare i materiali.
- ◆ **Non utilizzare accessori che richiedono refrigeranti liquidi.** L'utilizzo di acqua o altri liquidi refrigeranti può provocare elettrocuzione o scosse elettriche.

Nota: l'avvertenza riportata sopra non si applica agli elettrotensili specificamente progettati per l'uso con un sistema di raffreddamento a liquido.

Rimbalzo e relative avvertenze

Il rimbalzo è una reazione improvvisa provocata da mole, palette, spazzole o qualsiasi altro accessorio in rotazione che rimanga pinzato o impigliato. Ciò provoca un arresto immediato dell'accessorio rotante, che, a sua volta, causa la perdita di controllo dell'elettrotensile. Quest'ultimo viene spinto nella direzione opposta rispetto alla rotazione dell'accessorio nel punto in cui è stato trattenuto.

Ad esempio, se un disco abrasivo è impigliato o pinzato dal pezzo da lavorare, il bordo della mola penetrato nel punto pinzato può scavare nel materiale e causare lo scavalcamento o il rimbalzo della mola. La mola può saltare sia verso l'operatore che in direzione opposta, a seconda della direzione del movimento della mola nel punto pinzato. In queste condizioni è possibile che i dischi abrasivi si spezzino.

Il rimbalzo è il risultato di un uso sbagliato dell'elettrotensile e/o di metodi o condizioni di lavoro scorretti e può essere evitato prendendo le appropriate precauzioni, come descritto di seguito:

- ◆ **Mantenere una salda presa sull'elettrotensile e scegliere una posizione per corpo e braccia che sia in grado di resistere alle forze di rimbalzo. Utilizzare sempre l'impugnatura ausiliaria, se presente, per offrire la massima resistenza al rimbalzo o alla reazione di coppia durante l'avviamento.** L'operatore può frenare la reazione di coppia o la forza di rimbalzo, se vengono prese le precauzioni adatte.
- ◆ **Non porre mai le mani vicino all'accessorio in rotazione.** L'accessorio potrebbe rimbalzare sulle mani dell'operatore.
- ◆ **L'operatore non deve posizionarsi nella zona in cui si potrebbe dirigere l'elettrotensile in caso di rimbalzo.** Il rimbalzo spinge l'elettrotensile nella direzione opposta al movimento della mola nel punto in cui si impiglia.
- ◆ **Prestare particolare attenzione quando si lavorano angoli, estremità appuntite, ecc. Evitare di far rimbalzare o impigliare l'accessorio.** Angoli, estremità appuntite o rimbalzi tendono a fare impigliare l'accessorio in rotazione e a causare la perdita di controllo o il rimbalzo dell'elettrotensile.
- ◆ **Non collegare una lama da motosega per legno o una lama da sega dentata.** Queste lame creano rimbalzi e perdita di controllo frequenti.

Avvertenze di sicurezza specifiche per operazioni di smerigliatura e taglio abrasivo

- ◆ **Usare esclusivamente i tipi di mola raccomandati per il proprio elettrotensile e le protezioni specifiche progettate per la mola selezionata.** Le mole non concepite per l'elettrotensile non possono essere protette adeguatamente e non sono sicure.
- ◆ **La superficie di smerigliatura delle mole premute al centro deve essere montata al di sotto del piano della linguetta di protezione.** Non è possibile fornire una protezione adeguata a una mola non montata correttamente che sporge attraverso il piano della linguetta di protezione.

- ◆ **La protezione deve essere fissata saldamente all'elettrotensile e posizionata per garantire la massima sicurezza, in modo che la mola sporga il meno possibile verso l'operatore.** La protezione serve per proteggere l'operatore da frammenti di mole spezzate, da un contatto accidentale con la mola e dalle scintille che potrebbero incendiare gli indumenti.
- ◆ **Le mole vanno usate solo nelle operazioni per cui sono raccomandate. Per esempio, non si deve eseguire una lavorazione di smerigliatura con la mola da taglio abrasivo.** Le mole da taglio abrasivo sono progettate per la smerigliatura periferica. Forze laterali applicate a queste mole possono causarne la frantumazione.
- ◆ **Per le mole utilizzare sempre flange non danneggiate, della dimensione e forma corrette per quella mola.** Se le flange sono adeguate, supportano la mola e ne riducono la possibilità di rottura. Le flange per le mole da taglio abrasivo possono differire da quelle per le mole smerigliatrici.
- ◆ **Non utilizzare mole usurate di elettrotensili più potenti.** Le mole progettate per elettrotensili più potenti non sono adatte alle maggiori velocità degli elettrotensili più piccoli e si possono spaccare.

Avvertenze di sicurezza aggiuntive specifiche per operazioni di taglio abrasivo

- ◆ **Non far incastrare la mola di taglio e non applicare un'eccessiva pressione. Non tentare di eseguire tagli troppo profondi.** Il sovraccarico della mola aumenta il carico e la suscettibilità alla torsione o all'inceppamento della mola nel taglio, con la possibilità che si verifichi un rimbalzo o una rottura.
- ◆ **Non posizionarsi con il corpo allineato alla mola in rotazione, né dietro di essa.** Quando la mola si muove nella direzione di allontanamento dal corpo, il possibile rimbalzo può spingere la mola in rotazione e l'elettrotensile proprio verso l'operatore.
- ◆ **Quando la mola si inceppa o quando un taglio si interrompe per qualsiasi ragione, spegnere l'elettrotensile e mantenerlo immobile fino al suo completo arresto. Non tentare mai di rimuovere la mola da taglio mentre è in movimento, altrimenti può rimbalzare.** Esaminare e adottare azioni correttive per eliminare le cause che inceppano la lama.
- ◆ **Non ricominciare l'operazione di taglio nel pezzo in lavorazione. Far raggiungere la massima velocità alla mola, quindi rientrare con attenzione nel taglio.** La mola può incepparsi, scavalcare o rimbalzare se l'elettrotensile viene riavviato quando è ancora all'interno del pezzo in lavorazione.
- ◆ **Pannelli o altri pezzi di grandi dimensioni devono essere sorretti per minimizzare il rischio che la mola**

sia pinzata o che rimbalzi. I pezzi più grandi tendono a incurvarsi sotto il loro stesso peso. Devono essere collocati dei supporti sotto al pezzo da lavorare vicino alla linea di taglio e all'estremità del pezzo, su entrambi i lati della mola.

- ◆ **Prestare ancora più attenzione quando si eseguono "tagli a tufo" all'interno di pareti o di altre aree cieche.** La parte sporgente della mola potrebbe tagliare tubi del gas o dell'acqua, cavi elettrici o anche oggetti che possono provocare il rimbalzo.

Avvertenze di sicurezza specifiche per operazioni di carteggiatura

- ◆ **Non utilizzare carta vetrata che sporga molto oltre il disco. Nella scelta della carta vetrata seguire i consigli dei produttori.** Una carta vetrata che sporga oltre il platello di carteggiatura presenta il rischio di lacerazioni e può restare impigliata, strappare il disco o rimbalzare.

Avvertenze di sicurezza specifiche per operazioni di lucidatura

- ◆ **Non permettere che le parti pendenti della cuffia per lucidatura o alle cordicelle di fissaggio ruotino liberamente. Riavvolgere o tagliare eventuali cordicelle di fissaggio pendenti.** Le cordicelle pendenti o rotanti possono intrappolare le dita dell'operatore o impigliarsi sul pezzo da lavorare.

Sicurezza altrui

- ◆ Questo elettrotensile non è destinato all'uso da parte di persone (compresi i bambini) con capacità fisiche, sensoriali o mentali ridotte, o prive di esperienza e conoscenze, salvo che non siano sottoposte a sorveglianza o ricevano istruzioni riguardo all'uso dell'apparecchio da parte di una persona responsabile della loro sicurezza.
- ◆ I bambini devono essere sorvegliati per assicurarsi che non giochino con l'elettrotensile.

Rischi residui

L'utilizzo dell'elettrotensile può comportare altri rischi non indicati nelle presenti avvertenze di sicurezza. Tali rischi possono sorgere a seguito di un uso prolungato o improprio, ecc. Malgrado l'applicazione delle principali regole di sicurezza e l'implementazione di dispositivi di sicurezza, alcuni rischi residui non possono essere evitati. Sono incluse:

- ◆ **Lesioni causate dal contatto con parti rotanti/mobili.**
- ◆ **Lesioni causate durante la sostituzione di parti, lame o accessori.**
- ◆ **Lesioni causate dall'uso prolungato dell'utensile.** Quando si utilizza qualsiasi utensile per periodi prolungati, assicurarsi di fare pause regolari.

- ◆ **Menomazioni uditive.**
- ◆ **Rischi per la salute causati dalla respirazione delle polveri sviluppate durante l'utilizzo dell'utensile (ad esempio quando si lavora con il legno, in modo particolare quello di quercia, faggio o l'MDF).**

Vibrazioni

I livelli di emissioni di vibrazioni dichiarati nei dati tecnici e nella dichiarazione di conformità sono stati misurati in base a un metodo di prova standard previsto dalla EN60745 e potrebbero essere usati per comparare un utensile con un altro. Il livello di emissione di vibrazioni dichiarato potrebbe essere usato anche per una valutazione preliminare dell'esposizione.

Avvertenza! Il livello di emissione di vibrazioni durante l'uso effettivo dell'elettrotensile può differire dal valore dichiarato, a seconda delle modalità di utilizzo dell'elettrotensile. Il livello di emissione di vibrazioni potrebbe superare il valore dichiarato.

Al momento di valutare l'esposizione alle vibrazioni allo scopo di stabilire le misure di sicurezza richieste ai sensi della direttiva 2002/44/CE per proteggere le persone che utilizzano regolarmente elettrotensili per motivi di lavoro, una stima dell'esposizione alle vibrazioni dovrebbe considerare le condizioni reali d'uso e la modalità di utilizzo dell'utensile, tenendo conto anche di tutte le parti del ciclo operativo, ivi compresi gli intervalli di tempo in cui l'utensile rimane spento o funziona a vuoto, oltre al tempo di utilizzo effettivo.

Etichette sull'elettrotensile

Sull'elettrotensile compaiono i seguenti pittogrammi insieme al codice data:



Avvertenza! per ridurre il rischio di lesioni, l'utente deve leggere il manuale di istruzioni.



Quando si utilizza questo elettrotensile indossare occhiali di protezione.



Quando si utilizza questo elettrotensile indossare protezioni acustiche.

Sicurezza elettrica



Il doppio isolamento di cui è provvisto questo elettrotensile rende superfluo il cavo di terra. La tensione di alimentazione elettrica fornita deve corrispondere al valore nominale indicato sulla targhetta.

- ◆ Se il cavo di alimentazione è danneggiato, deve essere sostituito dal produttore o da un Centro di assistenza autorizzato Stanley Fat Max per evitare rischi.

Caratteristiche

Questo elettrotensile include alcune delle seguenti caratteristiche.

1. Interruttore acceso/spento
2. Impugnatura laterale
3. Blocco dell'alberino
4. Protezione per smerigliatura

Assemblaggio

Avvertenza! Prima dell'assemblaggio assicurarsi che l'elettrotensile sia spento e scollegato dalla presa di corrente.

Montaggio e rimozione della protezione (Fig. A)

L'elettrotensile viene fornito con una protezione appositamente concepita per le operazioni di smerigliatura e di taglio. Assicurarsi di utilizzare la protezione corretta specifica per la lavorazione prevista. Se l'unità è intesa per l'esecuzione di operazioni di taglio, deve essere montata una protezione (17, Fig F) specifica per tali operazioni.

Montaggio

- ◆ Posizionare l'elettrotensile su un banco, con l'alberino (5) rivolto verso l'alto.
- ◆ Rilasciare il blocco di serraggio (7) e mantenere la protezione (4) sollevata sopra l'elettrotensile, come mostrato.
- ◆ Allineare le guide (8) con le tacche (9).
- ◆ Premere la protezione verso il basso e ruotarla in senso antiorario fino alla posizione richiesta.
- ◆ Stringere il blocco di serraggio (7) per fissare la protezione all'elettrotensile.
- ◆ Se necessario, stringere le vite (6) per aumentare la forza di bloccaggio.

Rimozione

- ◆ Rilasciare il blocco di serraggio (7).
- ◆ Ruotare la protezione in senso orario in modo da allineare le guide (8) con le tacche (9).
- ◆ Rimuovere la protezione dall'elettrotensile.

Avvertenza! Non utilizzare mai l'elettrotensile senza la protezione installata.

Montaggio dell'impugnatura laterale

- ◆ Avvitare l'impugnatura laterale (2) in uno dei due fori di montaggio presenti nell'elettrotensile.

Avvertenza! Utilizzare sempre l'impugnatura laterale.

Montaggio e rimozione dei dischi per smerigliatura e di taglio (Fig. B - D)

Utilizzare sempre il tipo di disco corretto per la lavorazione da eseguire. Utilizzare sempre dischi con diametro e calibro corretti (consultare i dati tecnici).

Montaggio

- ◆ Montare la protezione come descritto sopra.
- ◆ Posizionare la flangia interna (10) sull'alberino (5), come illustrato (Fig. B). Assicurarsi che la flangia sia posizionata correttamente sui lati piatti dell'alberino.
- ◆ Posizionare il disco (11) sull'alberino (5), come illustrato (Fig. B). Se il disco presenta una parte centrale sollevata (12), assicurarsi che quest'ultima sia rivolta verso la flangia interna.
- ◆ Accertarsi che il disco sia posizionato correttamente sulla flangia interna.
- ◆ Sistemare la flangia esterna (13) sull'alberino. Quando un disco per smerigliatura viene alzato, la parte centrale sollevata sulla flangia esterna deve essere rivolta verso il disco (A, Fig. C). Quando un disco di taglio viene alzato, la parte centrale sollevata sulla flangia esterna deve essere rivolta verso il disco (B, Fig. C).
- ◆ Mantenere premuto il blocco dell'alberino (3) e stringere la flangia esterna con una chiave a doppio foro (14) (Fig. D).

Rimozione

- ◆ Mantenere premuto il blocco dell'alberino (3) e allentare la flangia esterna (13) con una chiave a doppio foro (14) (Fig. D).
- ◆ Rimuovere la flangia esterna (13) il disco (11).

Montaggio e rimozione dei dischi per carteggiatura (Figg. D - E)

Per eseguire operazioni di carteggiatura è necessario un platorello. Il platorello è disponibile come accessorio presso il proprio rivenditore Stanley Fat Max.

Montaggio

- ◆ Posizionare la flangia interna (10) sull'alberino (5), come illustrato (Fig. E). Assicurarsi che la flangia sia posizionata correttamente sui lati piatti dell'alberino.
- ◆ Posizionare il platorello (15) sull'alberino.
- ◆ Posizionare il disco per carteggiatura (16) sul platorello.
- ◆ Sistemare la flangia esterna (13) sull'alberino con la parte centrale rialzata rivolta dalla parte opposta rispetto al disco.
- ◆ Mantenere premuto il blocco dell'alberino (3) e stringere la flangia esterna con una chiave a doppio foro (14) (Fig. D). Assicurarsi che la flangia esterna sia montata correttamente e che il disco sia bloccato saldamente.

Rimozione

- ◆ Mantenere premuto il blocco dell'alberino (3) e allentare la flangia esterna (13) con una chiave a doppio foro (14) (Fig. D).
- ◆ Rimuovere la flangia esterna (13), il disco per carteggiatura (16) e il platorello (15).

Uso

Avvertenza! Lasciare che l'elettrotensile funzioni al suo ritmo. Non sovraccaricarlo.

- ◆ Guidare il cavo con attenzione per evitare di tagliarlo accidentalmente.
- ◆ Essere preparati al fatto che, appena il disco per smerigliatura o di taglio tocca il pezzo da lavorare saranno sprigionate delle scintille.
- ◆ Posizionare sempre l'elettrotensile in modo che la protezione sia in grado di proteggere l'operatore dal disco per smerigliatura o di taglio in maniera ottimale.

Accensione e spegnimento

- ◆ Per accendere l'elettrotensile fare scorrere l'interruttore acceso/spento (1) in avanti, quindi premerlo verso l'interno. Si noti che, al rilascio dell'interruttore, l'elettrotensile continua a funzionare.
- ◆ Per spegnere l'elettrotensile premere la parte posteriore dell'interruttore acceso/spento.

Avvertenza! Non spegnere l'elettrotensile mentre è sotto carico.

Funzione di avviamento lento

La funzione di avviamento lento consente una velocità di partenza rallentata per evitare il sobbalzo iniziale. Questa caratteristica è particolarmente utile quando si lavora in spazi ristretti.

Funzione No-Volt

La funzione No-Volt interrompe il riavvio della smerigliatrice senza l'attivazione e disattivazione dell'interruttore in caso di interruzione dell'alimentazione.

Suggerimenti per un utilizzo ottimale

- ◆ Tenere saldamente l'elettrotensile con una mano intorno all'impugnatura laterale e l'altra intorno all'impugnatura principale.
- ◆ Durante la smerigliatura mantenere sempre un'angolazione di circa 15° tra il disco e la superficie del pezzo in lavorazione.

Manutenzione

L'elettrotensile Stanley Fat Max con/senza cavo è stato progettato per funzionare a lungo con una manutenzione minima. Prestazioni sempre soddisfacenti dipendono da una cura appropriata e da una pulizia regolare.

Avvertenza! Prima di eseguire qualsiasi intervento di manutenzione sugli elettrotensili con/senza cavo:

- ◆ Spegnerlo o scollegare l'elettrotensile dalla presa di alimentazione.

- ◆ Oppure spegnere e rimuovere la batteria dall'elettrotensile, se quest'ultimo è dotato di un pacco batteria separato.
- ◆ Oppure lasciare che la batteria si esaurisca completamente, se integrata nell'elettrotensile, quindi spegnerlo.
- ◆ Prima di pulire il caricabatterie scollegarlo dalla presa di alimentazione. Il caricabatterie non richiede alcuna manutenzione, fuorché una pulizia regolare.
- ◆ Pulire regolarmente le prese di ventilazione dell'elettrotensile/del caricabatterie con un pennello o con un panno morbido e asciutto.
- ◆ Pulire regolarmente il vano del motore con un panno umido. Non utilizzare materiali abrasivi o detergenti a base di solventi.
- ◆ Aprire regolarmente il mandrino (se montato) e picchiettarlo per rimuovere la polvere dall'interno.

Protezione ambientale



Raccolta differenziata. I prodotti e le batterie contrassegnati con questo simbolo non devono essere smaltiti insieme ai normali rifiuti domestici.

I prodotti e le batterie contengono materiali che possono essere recuperati e riciclati, riducendo il fabbisogno di materie prime. Riciclare i prodotti e le batterie in base alle normative locali pertinenti.

Dati tecnici

		FME821 (Tipo 1)	FME822 (Tipo 1)
Tensione d'ingresso	V _{AC}	230	230
Potenza assorbita	W	850	850
Velocità nominale	min ⁻¹	12.000	12.000
Diametro del disco	mm	115	125
Calibro del disco	mm	22	22
Spessore massimo del disco			
Dischi per smerigliatura	mm	6	6
Dischi di taglio	mm	3,5	3,5
Dimensione albero		M14	M14
Peso	kg	2,1	2,1

L_{pA} (pressione sonora) 94,5 dB(A), Incertezza (K) 3 dB(A)

L_{WA} (potenza sonora) 105,5 dB(A), Incertezza (K) 3 dB(A)

Valori totali di vibrazione (somma dei tre valori assiali) calcolati in base alla normativa EN60745:

Smerigliatura di superficie ($a_{h,SG}$) 9,9 m/s², incertezza (K) 1,5 m/s²

Taglio (a_h) 9,1 m/s², incertezza (K) 1,5 m/s²

Lucidatura ($a_{h,P}$) 5,0 m/s², incertezza (K) 1,5 m/s²

Carteggiatura con disco ($a_{h,DG}$) 3,3 m/s², incertezza (K) 1,5 m/s²

Dichiarazione di conformità CE

DIRETTIVA MACCHINE



Smerigliatrice angolare FME821 / FME822

Stanley Europe dichiara che i prodotti descritti nei "Dati tecnici" sono conformi alle normative:

2006/42/CE, EN60745-1:2009 +A11:2010;

EN60745-2-3:2011 +A2:2013 +A11:2014 +A12:2014

Questi prodotti sono conformi alle Direttive 2004/108/CE (fino al 19.04.2016), 2014/30/UE (dal 20.04.2016) e

2011/65/UE. Per ulteriori informazioni, contattare Black & Decker all'indirizzo seguente o vedere sul retro del manuale.

Il firmatario è responsabile della compilazione del documento tecnico e rende questa dichiarazione per conto di Stanley Europe.

Ray Laverick
Direttore tecnico

Stanley Europe, Egide Walschaertsstraat 14-18,
2800 Mechelen, Belgio
25/08/2015

Garanzia

Certa della qualità dei suoi prodotti, Stanley Fat Max offre 12 mesi di garanzia* dalla data di acquisto. Questa garanzia aggiuntiva non pregiudica in alcun modo i diritti del consumatore previsti dalla legge. La garanzia è valida sui territori degli stati membri dell'Unione Europea o dell'EFTA (Associazione europea di libero scambio).

Per attivare la garanzia è necessario attenersi ai Termini e condizioni di Stanley Fat Max ed esibire la prova d'acquisto al venditore o a un tecnico autorizzato.

Per consultare i Termini e condizioni della garanzia di 1 anno di Stanley Fat Max e trovare il centro di assistenza autorizzato più vicino, visitare il sito web .2helpU.com oppure rivolgersi alla propria sede Stanley Fat Max locale, all'indirizzo riportato nel presente manuale.

Visitare il nostro sito web www.stanleytools.co.uk per registrare il proprio prodotto Stanley Fat Max e ricevere aggiornamenti su nuovi prodotti e offerte speciali.

Bedoeld gebruik

Uw Stanley Fat Max haakse slijper, van het type FME821, FME822, is ontworpen voor het slijpen en doorslijpen van metaal en metselwerk met het juiste type zaag- of slijpschijf. Dit gereedschap is met de bijbehorende beschermkap erop gemonteerd bedoeld voor professionele gebruikers en particuliere, niet-professionele gebruikers.

Instructies voor de veiligheid

Algemene veiligheidswaarschuwingen voor elektrisch gereedschap



Waarschuwing! Lees alle veiligheidswaarschuwingen en alle instructies. Het niet opvolgen van de hieronder vermelde waarschuwingen en instructies kan leiden tot een elektrische schok, brand en/of ernstig persoonlijk letsel.

Bewaar alle waarschuwingen en instructies zodat u deze later ook kunt raadplegen. De term "elektrisch gereedschap" in de hieronder vermelde waarschuwingen verwijst naar uw (met een snoer) op de netspanning aangesloten elektrische gereedschap of naar (draadloos) elektrisch gereedschap met een accu.

1. Veiligheid op de werkplek

- a. **Houd het werkgebied schoon en goed verlicht.** Op rommelige of donkere plekken kunnen gemakkelijk ongelukken gebeuren.
- b. **Bedien elektrisch gereedschap niet in een explosieve omgeving, zoals in de nabijheid van ontvlambare vloeistoffen, gassen of stof.** Elektrisch gereedschap veroorzaakt vonken die het stof of de dampen kunnen doen ontbranden.
- c. **Houd kinderen en omstanders op een afstand wanneer u elektrisch gereedschap bedient.** Als u wordt afgeleid, kunt u de controle over het gereedschap verliezen.

2. Elektrische veiligheid

- a. **Stekkers van elektrisch gereedschap moeten in het stopcontact passen. Pas de stekker nooit op enige wijze aan. Gebruik geen adapterstekkers met geaard elektrisch gereedschap.** Niet-aangepaste stekkers en passende contactdozen verminderen het risico van een elektrische schok.
- b. **Vermijd lichamelijk contact met geaarde oppervlakken zoals buizen, radiatoren, fornuizen en ijskasten.** Er bestaat een verhoogd risico op een elektrische schok als uw lichaam geaard is.

- c. **Stel elektrisch gereedschap niet bloot aan regen of natte omstandigheden.** Als er water in elektrisch gereedschap binnendringt, verhoogt dit het risico van een elektrische schok.
- d. **Behandel het stroomsnoer voorzichtig. Draag het elektrisch gereedschap nooit aan het snoer, trek het gereedschap nooit aan het snoer naar u toe, en trek de stekker nooit aan het snoer uit het stopcontact.** Houd het snoer uit de buurt van warmte, olie, scherpe randen of bewegende onderdelen. Beschadigde snoeren of snoeren die in de war zijn geraakt, verhogen het risico van een elektrische schok.
- e. **Gebruik, wanneer u buiten met het elektrisch gereedschap werkt, een verlengsnoer dat geschikt is voor gebruik buitenshuis.** Het gebruik van een verlengsnoer dat geschikt is voor werken buitenshuis, vermindert het risico van een elektrische schok.
- f. **Als het werken met elektrisch gereedschap op een vochtige locatie onvermijdelijk is, zorg er dan voor dat de stroomvoorziening beveiligd is met een aardlekschakelaar.** Het gebruik van een aardlekschakelaar vermindert het risico van een elektrische schok.

3. Persoonlijke veiligheid

- a. **Blijf alert, kijk wat u doet en gebruik uw gezonde verstand wanneer u met elektrisch gereedschap werkt. Gebruik het gereedschap niet wanneer u vermoeid bent of onder invloed van drugs, alcohol of medicatie.** Een moment van onoplettendheid tijdens het bedienen van elektrische gereedschap kan leiden tot ernstig persoonlijk letsel.
- b. **Gebruik een beschermende uitrusting. Draag altijd oogbescherming.** Beschermende uitrusting, zoals een stofmasker, antislip veiligheidsschoenen, een helm, of gehoorbescherming, gebruikt in de juiste omstandigheden, zal het risico van persoonlijk letsel verminderen.
- c. **Zorg ervoor dat het gereedschap niet per ongeluk kan worden gestart. Controleer dat de schakelaar in de stand Uit (Off) staat voordat u het gereedschap aansluit op de stroombron en/of de accu plaatst en voordat u het gereedschap oppakt en draagt.** Het dragen van elektrisch gereedschap met uw vinger op de schakelaar of het van stroom voorzien van elektrisch gereedschap waarvan de schakelaar in de stand Aan staat, kan gemakkelijk leiden tot ongelukken.
- d. **Verwijder alle stelsleutels of moersleutels voordat u het elektrisch gereedschap inschakelt.** Een moersleutel of stelsleutel die in een ronddraaiend onderdeel van het elektrische gereedschap is achtergebleven, kan persoonlijk letsel veroorzaken.

- e. **Reik niet buiten uw macht. Blijf altijd stevig en in balans op de grond staan.** Dit zorgt voor betere controle van het elektrisch gereedschap in onverwachte situaties.
 - f. **Draag de juiste kleding. Draag geen loszittende kleding of sieraden. Houd uw haar, kleding en handschoenen uit de buurt van bewegende onderdelen.** Loszittende kleding, sieraden of lang haar kunnen door bewegende delen worden gegrepen.
 - g. **Als er mogelijkheden zijn voor het aansluiten van apparatuur voor stofverwijdering, zorg er dan voor dat deze goed wordt aangesloten en gebruikt.** Het gebruik van stofafzuiging kan aan stof gerelateerde gevaren verminderen.
4. **Gebruik en verzorging van elektrisch gereedschap**
 - a. **Forceer het gereedschap niet. Gebruik het juiste elektrisch gereedschap voor uw toepassing.** Het juiste elektrisch gereedschap voert de werkzaamheden waarvoor het is ontworpen, beter en veiliger uit.
 - b. **Gebruik het gereedschap niet als de schakelaar het niet aan en uit kan zetten.** Ieder gereedschap dat niet met de schakelaar kan worden bediend, is gevaarlijk en moet worden gerepareerd.
 - c. **Haal de stekker uit het stopcontact en/of neem de accu uit het gereedschap voordat u aanpassingen uitvoert, accessoires verwisselt, of het elektrisch gereedschap opbergt.** Dergelijke preventieve veiligheidsmaatregelen verminderen het risico dat het elektrische gereedschap per ongeluk opstart.
 - d. **Berg elektrisch gereedschap dat niet wordt gebruikt, op buiten het bereik van kinderen en laat niet personen die onbekend zijn met het elektrisch gereedschap of deze instructies het gereedschap bedienen.** Elektrisch gereedschap zijn gevaarlijk in handen van ongetrainde gebruikers.
 - e. **Onderhoud elektrisch gereedschap. Controleer op verkeerde uitlegging en het aanlopen van bewegende onderdelen, breuk van onderdelen en andere omstandigheden die de werking van het elektrisch gereedschap nadelig kunnen beïnvloeden. Laat het gereedschap voor gebruik repareren, als het is beschadigd.** Veel ongelukken worden veroorzaakt doordat elektrisch gereedschap niet goed is onderhouden.
 - f. **Houd zaaggereedschap scherp en schoon.** Goed onderhouden zaaggereedschap met scherpe snijranden lopen minder snel vast en zijn gemakkelijker onder controle te houden.
 - g. **Gebruik het elektrisch gereedschap, de accessoires en gereedschapsonderdelen enz. in overeenstemming met deze instructies, waarbij u rekening houdt met de werkomstandigheden en de uit te voeren**

werkzaamheden. Gebruik van het elektrische gereedschap voor werkzaamheden die anders zijn dan het bedoelde gebruik, kunnen leiden tot een gevaarlijke situatie.

5. Service

- a. **Laat uw elektrisch gereedschap onderhouden door een erkende reparateur die uitsluitend identieke vervangende onderdelen gebruikt.** Dit garandeert dat de veiligheid van het gereedschap behouden blijft.

Algemene veiligheidswaarschuwingen voor elektrisch gereedschap



Waarschuwing! Aanvullende veiligheidswaarschuwingen voor slijpen, schuren, polijsten of zagen.

- ◆ **Dit elektrisch gereedschap is bedoeld als slijpmachine, schuurmachine, polijstmachine of afkortgereedschap. Lees alle veiligheidswaarschuwingen, instructies, illustraties en specificaties die bij dit gereedschap zijn meegeleverd.** Het niet opvolgen van alle onderstaande instructies kan leiden tot een elektrische schok, brand en/of ernstig persoonlijk letsel.
- ◆ **Werkzaamheden waarvoor het elektrisch gereedschap niet is ontworpen, kunnen leiden tot gevaarlijke situaties en lichamelijk letsel.**
- ◆ **Gebruik geen accessoires die niet speciaal ontworpen en aanbevolen zijn door de fabrikant van het gereedschap.** Als u een accessoire op uw gereedschap kunt bevestigen, betekent dat nog niet dat u er gegarandeerd veilig mee kunt werken.
- ◆ **Het nominale toerental van het accessoire moet tenminste gelijk zijn aan het maximale toerental zoals dit op het gereedschap staat vermeld.** Accessoires die sneller draaien dan hun nominale toerental kunnen in stukken breken en worden weggeslingerd.
- ◆ **De buitendiameter en de dikte van uw accessoire moeten binnen het nominale vermogen van uw gereedschap liggen.** Accessoires met een onjuiste grootte kunnen niet voldoende worden vastgemaakt of onder controle worden gehouden.
- ◆ **Bij het monteren van accessoires moet de schroefdraad overeenkomen met die van de as van de slijpmachine. Voor accessoires die zijn gemonteerd door middel van flenzen moet het drevelfgat van het accessoire passen bij de plaatsingsdiameter van de flens.** Accessoires die niet passen op de bevestigingshardware van het gereedschap zullen uit balans raken en/of extreem trillen en kunnen u de beheersing over het gereedschap doen verliezen.

- ◆ **Gebruik een accessoire niet als het beschadigd is.** Controleer accessoires zoals slijpschijven voor u ze in gebruik neemt op scheuren en barsten, steunkussens op barsten, scheurtjes of excessieve slijtage, staalborstels op losse of gescheurde draden. Als het gereedschap of het accessoire is gevallen, controleer het dan op schade of plaats een onbeschadigd accessoire. Laat, nadat u een accessoire hebt geïnspecteerd en geïnstalleerd, het elektrisch gereedschap gedurende een minuut onbelast op volle snelheid draaien. Beschadigde accessoires breken gewoonlijk af tijdens deze testtijd.
- ◆ **Draag beschermende uitrusting.** Draag afhankelijk van de toepassing gezichtsbedekking of bescherming van de ogen, zoals een veiligheidsbril. Draag, zo nodig, een stofmasker, gehoorbescherming, handschoenen en een werkschort die kleine afgeschuurde deeltjes of deeltjes van het werkstuk tegenhouden. De bescherming van de ogen moet rondvliegende deeltjes die door de diverse werkzaamheden vrijkomen, tegen kunnen houden. Het stofmasker moet in staat zijn deeltjes die door uw werkzaamheden vrijkomen te filteren. Langdurige blootstelling aan intense geluiden kan gehoorverlies veroorzaken.
- ◆ **Houd omstanders op een veilige afstand van de werkplek.** Iedereen die de werkplek betreedt, moet persoonlijke beschermende kleding dragen. Brokstukken van het werkstuk of van een afgebroken accessoire kunnen worden weggeslingerd en letsel buiten het directe werkgebied veroorzaken.
- ◆ **Houd het elektrisch gereedschap alleen vast aan geïsoleerde oppervlakken wanneer u een handeling uitvoert waarbij het accessoire van het zaaggereedschap in contact kan komen met verborgen bedrading of het eigen netsnoer.** Wanneer een draad waar spanning op staat, wordt doorgesneden, kunnen ijzeren onderdelen van het gereedschap onder spanning komen te staan en kan de gebruiker een elektrische schok krijgen.
- ◆ **Plaats het netsnoer buiten het bereik van het ronddraaiende accessoire.** Als u de controle verliest, wordt het snoer mogelijk doorgesneden of gegrepen en kan uw hand of arm in het draaiende accessoire worden getrokken.
- ◆ **Leg het elektrisch gereedschap nooit neer voordat het accessoire volledig tot stilstand is gekomen.** Het ronddraaiende accessoire kan mogelijk in contact met de oppervlakte komen waardoor u de controle over het gereedschap verliest.
- ◆ **Laat het elektrisch gereedschap niet draaien terwijl u het aan uw zijde draagt.** Wanneer uw kleding per ongeluk bekneld raakt in het ronddraaiende accessoire, kan het accessoire tegen uw lichaam aan worden getrokken.

- ◆ **Maak de ventilatieopeningen van het gereedschap regelmatig schoon.** De ventilator van de motor zuigt het stof in de behuizing en extreme ophoping van metaaldeeltjes kan een elektrische schok veroorzaken.
- ◆ **Werk niet met het gereedschap in de buurt van ontvlambare materialen.** Vonken kunnen deze materialen doen ontbranden.
- ◆ **Gebruik geen accessoires waarvoor vloeibare koelmiddelen nodig zijn.** Het gebruik van water of andere vloeibare koelmiddelen kan een elektrische schok tot gevolg hebben.

Opmerking: De hierboven vermelde waarschuwing geldt niet voor elektrisch gereedschap dat is ontworpen voor gebruik met een vloeistofstelsysteem.

Terugslag en bijbehorende waarschuwingen

Terugslag is een plotselinge reactie op een ronddraaiende schijf, steunkussen, borstel of ander accessoire dat bekneld raakt of vastloopt. Beknelling of vastlopen veroorzaakt het snel tot stilstand komen van het ronddraaiende accessoire dat op zijn veroorzaakt dat het gereedschap ongecontroleerd in de tegenovergestelde richting van de draaiing van het accessoire wordt gedwongen op het punt van vastlopen.

Als bijvoorbeeld een slijpschijf vastloopt of bekneld raakt in het werkstuk, kan de rand van de schijf die bij het knelpunt in het oppervlak van het materiaal dringt, de schijf omhoog doen komen en op de gebruiker afsturen. De schijf kan naar de gebruiker toe of van hem vandaan springen, afhankelijk van de richting van de beweging van de schijf op het knelpunt. Slijpschijven kunnen onder deze omstandigheden ook afbreken.

Terugslag is het gevolg van een verkeerd gebruik en/of onjuiste gebruiksomstandigheden van het elektrisch gereedschap en kan worden voorkomen door geschikte voorzorgsmaatregelen te nemen, zoals hieronder vermeld:

- ◆ **Houd het gereedschap stevig vast en plaats uw lichaam en arm zo dat u terugslagkrachten kunt weerstaan.** Gebruik altijd een hulphandgreep, als deze is meegeleverd, voor maximale controle over terugslag of torsiereactie tijdens het opstarten. De gebruiker kan torsiereactie of terugslagkrachten controleren, als de juiste voorzorgsmaatregelen worden genomen.
- ◆ **Plaats uw handen nooit in de buurt van het ronddraaiende accessoire.** Het accessoire kan over uw hand terugslaan.
- ◆ **Plaats uw lichaam niet in het gebied waar het elektrisch gereedschap zich zal verplaatsen als terugslag optreedt.** Terugslag slingert het gereedschap weg in de tegenovergestelde richting van de beweging van de schijf op het knelpunt.

- ◆ **Wees extra voorzichtig wanneer u aan hoeken, scherpe randen, enz. werkt. Voorkom dat het accessoire wegspringt of vastloopt.** Hoeken, scherpe randen en wegspringen kunnen er vaak toe leiden dat het ronddraaiende accessoire vastloopt en dat kan verlies van controle of terugslag veroorzaken.
- ◆ **Bevestig geen kettingzaagblad of getand zaagblad op het gereedschap.** Dergelijke zaagbladen veroorzaken vaak terugslag en verlies van controle.

Veiligheidswaarschuwingen speciaal voor slijp- en afkortwerkzaamheden:

- ◆ **Gebruik uitsluitend schijftypen die voor uw elektrisch gereedschap worden aanbevolen, en de specifieke beschermkap die is ontworpen voor de geselecteerde schijf.** Schijven waarvoor het elektrisch gereedschap niet is ontwikkeld, kunnen niet voldoende worden afgeschermd en zijn onveilig.
- ◆ **Het slijpoppervlak van de in het midden ingedrukte schijven moet worden gemonteerd onder het vlak van de beveiligingslip.** Een schijf die niet goed is gemonteerd en die uitsteekt door het vlak van de beveiligingslip, kan niet naar behoren worden afgeschermd.
- ◆ **De beschermkap moet stevig op het elektrisch gereedschap worden bevestigd en geplaatst, voor maximale veiligheid, zodat het gedeelte dat onafgeschermd is voor de gebruiker zo klein mogelijk is.** De beschermkap helpt de gebruiker te beschermen tegen afgebroken deeltjes van de schijf en voorkomt dat de gebruiker in contact komt met de schijf en met vonken die kleding in brand kunnen zetten.
- ◆ **Schijven mogen uitsluitend worden gebruikt voor de aanbevolen toepassingen. Bijvoorbeeld: slijp niet met de zijkant van een afkortschijf.** Schuur/afkortschijven zijn bedoeld voor rondom slijpen; zijwaartse krachten kunnen maken dat deze schijven uit elkaar spatten.
- ◆ **Gebruik altijd onbeschadigde flenzen van de juiste grootte en vorm voor de schijf van uw keuze.** De juiste schijfflenzen ondersteunen de schijf en verminderen zo de mogelijkheid van schijfbreuk. Flenzen voor afkortschijven kunnen verschillen van flenzen voor slijpschijven.
- ◆ **Gebruik geen versleten schijven die afkomstig zijn van groter elektrisch gereedschap.** Een schijf die is bedoeld voor groter elektrisch gereedschap, is niet geschikt voor de hogere snelheid van kleiner gereedschap en kan barsten.

Aanvullende veiligheidswaarschuwingen speciaal voor schuur/afkortwerk

- ◆ **Laat de afkortschijf niet "vastlopen" en oefen er niet te veel druk op uit. Probeer niet een al te grote zaagdiepte te bereiken.** Het overbelasten van de schijf vergroot de belasting en ontvankelijkheid van verdraaien

en vastlopen van de schijf in de zaagsnede, en de mogelijkheid van terugslag of schijfbreuk.

- ◆ **Plaats uw lichaam niet op een lijn met en achter de draaiende schijf.** Wanneer de schijf op het punt van de werking van het gereedschap van uw lichaam vandaan beweegt, kan de mogelijke terugslag de draaiende schijf doen wegschieten en het elektrisch gereedschap direct in uw richting sturen.
- ◆ **Wanneer de schijf blokkeert of wanneer een zaagsnede om welke reden dan ook, wordt onderbroken, schakel dan het elektrisch gereedschap uit en houd het zonder te bewegen vast totdat de schijf volledig tot stilstand is gekomen. Probeer nooit een afkortschijf uit de zaagsnede te verwijderen terwijl de schijf in beweging is, anders kan terugslag optreden.** Zoek naar de oorzaak van het vastlopen van de schijf en neem de juiste corrigerende maatregelen.
- ◆ **Start de zaagbewerking niet opnieuw in het werkstuk. Laat de schijf volledig op snelheid komen en steek de schijf voorzichtig opnieuw in de zaagsnede.** De schijf kan blokkeren, weglopen of terugslaan als het gereedschap opnieuw wordt opgestart in het werkstuk.
- ◆ **Ondersteun panelen of een ander groot werkstuk zodat het risico van vastlopen of terugslaan van de schijf minder groot is.** Grote werkstukken kunnen onder hun eigen gewicht doorzakken. De ondersteuning moet onder het werkstuk worden geplaatst, dicht bij de zaaglijn en de rand van het werkstuk, aan beide zijden van de schijf.
- ◆ **Ga extra voorzichtig te werk wanneer u "invalend" zaagt in bestaande muren of andere niet-zichtbare gedeelten.** De vooruitstekende schijf kan gas- of waterbuizen, elektrische bedrading of objecten raken die een terugslag veroorzaken.

Veiligheidswaarschuwingen speciaal voor schuurwerk

- ◆ **Gebruik geen schuurpapier dat veel te groot is. Volg bij het kiezen van schuurpapier de aanbevelingen van de fabrikant.** Groter schuurpapier dat uit het schuurkussen steekt, veroorzaakt gevaar van schaaftwonden en kan beknelling of scheuren van de schijf of terugslag veroorzaken.

Veiligheidswaarschuwingen speciaal voor polijstwerk

- ◆ **Laat geen los gedeelte van de polijstkap of de bevestigingsdraden vrij ronddraaien. Vouw losse bevestigingsdraden weg of knip ze af.** Losse en ronddraaiende bevestigingsdraden kunnen in uw vingers verstrikt raken of aan het werkstuk vast raken.

Veiligheid van anderen

- ◆ Het is niet de bedoeling dat dit gereedschap wordt gebruikt door personen (waaronder kinderen) met verminderde fysieke, zintuiglijke of psychische vermogens, of met een gebrek aan ervaring en kennis, tenzij onder toezicht van of met aanwijzingen over het gebruik van het apparaat door een persoon die verantwoordelijk is voor hun veiligheid.
- ◆ Er moet op worden toegezien dat kinderen niet met het gereedschap kunnen spelen.

Overige risico's.

Er kunnen zich nog meer risicovolle situaties voordoen wanneer u het gereedschap gebruikt, die mogelijk niet in de bijgesloten veiligheidswaarschuwingen worden vermeld. Deze risico's kunnen voortvloeien uit verkeerd gebruik, langdurig gebruik, enz.

Zelfs bij het toepassen van de relevante veiligheidsvoorschriften en het toepassen van beveiligingsapparatuur kunnen bepaalde risico's niet worden vermeden. Dit zijn onder meer:

- ◆ **Letsel dat wordt veroorzaakt door aanraking van draaiende/bewegende onderdelen.**
- ◆ **Letsel dat wordt veroorzaakt bij het verwisselen van onderdelen, zaagbladen of accessoires.**
- ◆ **Letsel dat wordt veroorzaakt door langdurig gebruik van gereedschap.. Las vooral regelmatig pauzes in wanneer u gereedschap langdurig achtereen gebruikt.**
- ◆ **Gehoorschadiging.**
- ◆ **Gezondheidsrisico's die worden veroorzaakt door het inademen van stof dat ontstaat wanneer u het gereedschap gebruikt (bijvoorbeeld:- werken met hout, vooral eikenhout, beukenhout, MDF).**

Trilling

De verklaarde trillingsemisiewaarden die worden vermeld in de technische gegevens en de verklaring van conformiteit, zijn gemeten volgens een standaardtestmethode van EN60745 en kan worden gebruikt voor het vergelijken van het ene gereedschap met het andere. De verklaarde trillingsemisiewaarde kan ook worden gebruikt voor een voorlopige beoordeling van blootstelling.

Waarschuwing! De trillingsemisiewaarde tijdens werkelijk gebruik van het elektrisch gereedschap kan verschillen van de verklaarde waarde, afhankelijk van de manieren waarop het gereedschap wordt gebruikt. De trillingswaarde kan toenemen tot boven het vermelde niveau.

Bij het beoordelen van blootstelling aan trilling ter vaststelling van de veiligheidsmaatregelen die worden vereist volgens 2002/44/EG ter bescherming van personen die in hun werk regelmatig elektrisch gereedschap gebruiken, moet een schat-

ting van de blootstelling aan trilling de feitelijke gebruiksomstandigheden en de manier waarop het gereedschap wordt gebruikt in overweging nemen, en ook rekening houden met alle onderdelen van de bedrijfscyclus zoals het aantal malen dat het gereedschap wordt uitgeschakeld en dat het gereedschap stationair draait, in aanvulling op de ingeschakelde tijd.

Etiketten op het gereedschap

De volgende pictogrammen en ook de datumcode worden op het gereedschap getoond:



Waarschuwing! Beperk het risico van letsel, de gebruiker moet de instructiehandleiding lezen.



Draag een veiligheidsbril wanneer u met dit gereedschap werkt.



Draag gehoorbescherming wanneer u met dit gereedschap werkt.

Elektrische veiligheid



Dit gereedschap is dubbel geïsoleerd; een aarddraad is daarom niet vereist. Controleer altijd dat de stroomvoorziening overeenkomt met de voltage op het typeplaatje.

- ◆ Als het netsnoer is beschadigd, moet het worden vervangen door de fabrikant of door een geautoriseerd Stanley Fat Max-servicecentrum, zodat gevaarlijke situaties worden vermeden.

Functies

Dit gereedschap is voorzien van enkele van de volgende functies of alle volgende functies.

1. Aan/Uit-schakelaar
2. Zijhandgreep
3. Spindelvergrendeling
4. Slijpkap

Montage

Waarschuwing! Controleer voorafgaand aan montage vooral dat het gereedschap is uitgeschakeld en de stekker van het netsnoer uit het stopcontact is getrokken.

De beschermkap bevestigen en verwijderen (afb. A)

Dit gereedschap is voorzien van een beschermkap die is bedoeld voor slijp- en zaagtoepassingen. Controleer dat u de juiste beschermkap gebruikt die speciaal bedoeld is voor de toepassing. Als de unit bedoeld is voor afkorttoepassingen, moet een beschermkap (17, Afb F) speciaal voor die toepassing worden gemonteerd.

Monteren

- ◆ Plaats het gereedschap op een tafel met de as (5) omhoog.
- ◆ Maak de klemvergrendeling (7) los en houd de beschermkap (4) boven het gereedschap, zoals wordt getoond.
- ◆ Houd de uitstekende gedeelten (8) tegenover de inkepingen (9).
- ◆ Druk de beschermkap omlaag en draai deze naar links in de gewenste positie.
- ◆ Maak de klemvergrendeling (7) vast en zet zo de beschermkap vast op het gereedschap.
- ◆ Zet, zo nodig de schroef (6) vaster zodat de klemkracht toeneemt.

Losnemen

- ◆ Maak de klemvergrendeling los (7).
- ◆ Draai de beschermkap naar rechts zodat de uitstekende gedeelten (8) uitkomen tegenover de inkepingen (9).
- ◆ Haal de beschermkap van het gereedschap.

Waarschuwing! Gebruik het gereedschap nooit zonder de beschermkap.

De zijhandgreep monteren

- ◆ Schroef de zijhandgreep (2) stevig in één van de montage-openingen in het gereedschap.

Waarschuwing! Gebruik de zijhandgreep altijd.

Slijp- of snijschijven monteren en los nemen (afb. B - D)

Gebruik altijd het juiste type schijf voor uw toepassing. Gebruik altijd schijven met de juiste diameter en boring (zie technische gegevens).

Monteren

- ◆ Monteer de beschermkap zoals hierboven wordt beschreven.
- ◆ Plaats de binnenste flens (10) op de as (5), zoals wordt getoond (afb. B). Controleer dat de flens juist is geplaatst op de vlakke zijden van de as.
- ◆ Plaats de schrijf (11) op de as (5), zoals wordt getoond (afb. B). Heeft de schijf een verhoogd middengedeelte (12), let er dan vooral op dat het verhoogde midden tegenover de binnenste flens ligt.
- ◆ Controleer dat de schijf goed op de binnenste flens ligt.
- ◆ Plaats de buitenste flens (13) op de as. Wanneer u een slijpschijf monteert, moet het verhoogde midden op de buitenste flens naar de schijf wijzen (A in afb. C). Wanneer u een zaagschijf monteert, moet het verhoogde midden op de buitenste flens van de schijf af gericht zijn (B in afb. C).
- ◆ Houd de asvergrendeling (3) ingedrukt en zet de buitenste flens vast met de twee-pinnsleutel (14) (afb. D).

Losnemen

- ◆ Houd de asvergrendeling (3) ingedrukt en zet de buitenste flens (13) vast met de twee-pinnsleutel (14) (afb. D).
- ◆ Neem de buitenste flens (13) en de schijf (11) los.

Schuurschijven monteren en los nemen (afb. D & E)

Voor het schuren is een steunkussen nodig. Het steunkussen is als accessoire verkrijgbaar bij uw Stanley Fat Max-leverancier.

Monteren

- ◆ Plaats de binnenste flens (10) op de as (5), zoals wordt getoond (afb. E). Controleer dat de flens juist is geplaatst op de vlakke zijden van de as.
- ◆ Plaats het steunkussen (15) op de as.
- ◆ Plaats de schuurschijf (16) op het steunkussen.
- ◆ Plaats de buitenste flens (13) op de as met het verhoogde midden vanaf de schijf omlaag gericht.
- ◆ Houd de asvergrendeling (3) ingedrukt en zet de buitenste flens vast met de twee-pinnsleutel (14) (afb. D). Controleer dat de buitenste flens goed is gemonteerd en dat de schijf stevig vastgeklemd zit.

Losnemen

- ◆ Houd de asvergrendeling (3) ingedrukt en zet de buitenste flens (13) vast met de twee-pinnsleutel (14) (afb. D).
- ◆ Neem de buitenste flens (13), de schuurschijf (16) en het steunkussen (15) los.

Gebruik

Waarschuwing! Laat het gereedschap op zijn eigen snelheid werken. Overbelast het niet.

- ◆ Leid voorzichtig de kabel, zodat u deze niet per ongeluk kunt doorsnijden.
- ◆ Wees voorbereid op een straal van vonken wanneer de slijp- of zaagschijf het werkstuk raakt.
- ◆ Plaats het gereedschap altijd zo dat de beschermkap optimale bescherming biedt tegen de slijp- of zaagschijf.

In- en uitschakelen

- ◆ Schakel het gereedschap in door de aan/uit-schakelaar (1) naar voren te schuiven en vervolgens in te drukken. NB. het gereedschap blijft draaien wanneer u de schakelaar loslaat.
- ◆ U kunt het gereedschap uitschakelen door op het achterste gedeelte van de aan/uit-schakelaar te drukken.

Waarschuwing! Schakel het gereedschap niet uit onder belasting.

Functie langzame start

De functie langzame start maakt het langzaam opbouwen van snelheid mogelijk zodat een eerste hapering tijdens het opstarten wordt voorkomen. Deze functie is vooral handig als u in beperkte ruimten werkt.

No-Volt

De functie No-volt voorkomt dat de haakse slijper start als u na een onderbreking in de stroomvoorziening, niet eerst de schakelaar omzet.

Aanwijzingen voor optimaal gebruik

- ◆ Houd het gereedschap met een hand stevig vast aan de zijhandgreep en met de andere hand aan de hoofdhandgreep.
- ◆ Houd tijdens het slijpen altijd een hoek aan van ongeveer 15° tussen de schijf en het oppervlak van het werkstuk.

Onderhoud

Uw Stanley Fat Max apparaat met snoer/snoerloos apparaat is ontworpen om gedurende lange tijd te functioneren met een minimum aan onderhoud. Het continu naar tevredenheid functioneren hangt af van de juiste zorg voor het gereedschap en regelmatig schoonmaken.

Waarschuwing! U moet, voordat u onderhoud verricht aan elektrisch gereedschap met snoer/snoerloos elektrisch gereedschap:

- ◆ Het apparaat/gereedschap uitschakelen en de stekker uit het stopcontact trekken.
- ◆ Of uitschakelen en de accu uit het apparaat /gereedschap nemen als het apparaat/gereedschap voorzien is van een aparte accu.
- ◆ Of de accu helemaal leeg maken als deze is ingebouwd, en vervolgens het apparaat/gereedschap uitschakelen.
- ◆ De (stekker van de) lader uit het stopcontact trekken, voordat u de lader reinigt. Ander onderhoud dan een regelmatige schoonmaakbeurt vraagt uw lader niet.
- ◆ De ventilatiesleuven van uw apparaat/gereedschap/lader regelmatig reinigen met een zachte borstel of een droge doek.
- ◆ Regelmatig de motorbehuizing reinigen met een vochtige doek. Gebruik geen schuurmiddelen of schoonmaakmiddelen die op een oplosmiddel zijn gebaseerd.
- ◆ Open regelmatig de boorkop (wanneer deze is gemonteerd) en tik het stof eruit.

Bescherming van het milieu



Gescheiden afvalinzameling. Producten en accu's die zijn voorzien van dit symbool mogen niet worden weggegooid bij het normale huishoudafval.

Producten en accu's bevatten materialen die kunnen worden herwonnen en gerecycled waardoor de vraag naar grondstoffen afneemt. Recycle elektrische producten en accu's volgens de ter plaatse geldende voorschriften.

Technische gegevens

		FME821 (Type 1)	FME822 (Type 1)
Opgenomen vermogen	V _{AC}	230	230
Vermogen	W	850	850
Nominaal toerental	min ⁻¹	12.000	12.000
Schijfdiameter	mm	115	125
Schijfboring	mm	22	22
Max schijfdikte			
slijpschijven	mm	6	6
zaagschijf	mm	3,5	3,5
Asgrootte		M14	M14
Gewicht	kg	2,1	2,1

L_{PA} (geluidsdruk) 94,5 dB (A), Onzekerheid (K) 3 dB(A)
L_{WA} (geluidsvermogen) 105,5 dB (A), Onzekerheid (K) 3 dB(A)
Vibratie totaalwaarden (triax vectorsom) vastgesteld volgens EN60745:
Oppervlakteslijpen (a _{h,SG}) 9,9 m/s ² , onzekerheid (K) 1,5 m/s ²
Afkorten (a _h) 9,1 m/s ² , onzekerheid (K) 1,5 m/s ²
Polijssten (a _{h,p}) 5,0 m/s ² , onzekerheid (K) 1,5 m/s ²
Schuren (a _{h,DS}) 3,3 m/s ² , onzekerheid (K) 1,5 m/s ²

EG-verklaring van overeenstemming

RICHTLIJN VOOR MACHINES



FME821 / FME822 haakse slijper

Stanley Europa verklaart dat deze producten die worden beschreven onder "technische gegevens" voldoen aan:

2006/42/EC, EN60745-1:2009 +A11:2010;

EN60745-2-3:2011 +A2:2013 +A11:2014 +A12:2014

Deze producten voldoen tevens aan richtlijn 2004/108/EG (tot 19.04.2016) 2014/30/EU (vanaf 20.04.2016) en 2011/65/EU.

Neem voor meer informatie contact op met Black & Decker op het volgende adres of kijk op de achterzijde van de handleiding.

De ondergetekende is verantwoordelijk voor de samenstelling van het technische bestand en legt deze verklaring af namens Stanley Europa.

Ray Laverick

Director of Engineering

Stanley Europe, Egide Walschaertsstraat14-18,

2800 Mechelen, België

25/08/2015

Garantie

Stanley Fat Max vertrouwt op de kwaliteit van zijn producten en biedt consumenten een garantie* van 12 maanden vanaf de aankoopdatum. Deze garantie is een aanvulling op uw wettelijke rechten en maakt op geen enkele wijze inbreuk daarop. De garantie is geldig binnen het grondgebied van de Lidstaten van de Europese Unie en de Europese Vrijhandelszone.

Wilt u aanspraak maken op de garantie, dan moet de aanspraak in overeenstemming zijn met de voorwaarden en condities van Stanley Fat Max en moet u aan de verkoper of het geautoriseerd reparatiecentrum een bewijs van aankoop overleggen.

Voorwaarden en condities van de 1-jarige garantie van Stanley Fat Max en de vestiging van het geautoriseerde reparatiecentrum bij u in de buurt, kunt u vinden op internet op www.2helpU.com, of kunt u verkrijgen door contact op te nemen met het Stanley Fat Max-kantoor op het adres dat in deze handleiding wordt vermeld.

Ga naar onze website www.stanleytools.co.uk en registreer uw nieuwe Stanley Fat Max-product en ontvang updates over een nieuwe producten en speciale aanbiedingen.

Uso previsto

Su amoladora angular Stanley Fat Max FME821, FME822 se ha diseñado para amolar y cortar metal y mampostería con un tipo adecuado de disco de corte o amolado. Cuando se utiliza con la protección adecuada, esta herramienta va dirigida tanto a usuarios profesionales como a usuarios privados, no profesionales.

Instrucciones de seguridad

Advertencias de seguridad generales para herramientas eléctricas



¡Advertencia! Lea todas las advertencias de seguridad y todas las instrucciones. El incumplimiento de las advertencias e instrucciones que aparecen a continuación podría provocar una descarga eléctrica, un incendio y/o lesiones graves.

Guarde todas las advertencias e instrucciones para poder consultarlas con posterioridad. El término "herramienta eléctrica" que aparece en todas las advertencias que aparecen a continuación se refiere a la herramienta eléctrica que funciona a través de la red eléctrica (con cable) o a la herramienta eléctrica que funciona con batería (sin cable).

1. Seguridad en la zona de trabajo

- Mantenga el área de trabajo limpia y bien iluminada.** Las áreas en desorden u oscuras pueden provocar accidentes.
- No utilice herramientas eléctricas en atmósferas explosivas, como ambientes donde haya polvo, gases o líquidos inflamables.** Las herramientas eléctricas originan chispas que pueden inflamar el polvo o los gases.
- Mantenga alejados a los niños y a las personas que estén cerca mientras utiliza una herramienta eléctrica.** Las distracciones pueden ocasionar que pierda el control.

2. Seguridad eléctrica

- Los enchufes de las herramientas eléctricas deben corresponderse con la toma de corriente. No modifique nunca el enchufe de ninguna forma. No utilice ningún enchufe adaptador con herramientas eléctricas conectadas a tierra.** Los enchufes no modificados y las tomas de corriente correspondientes reducirán el riesgo de descarga eléctrica.
- Evite el contacto corporal con superficies conectadas a tierra, tales como tuberías, radiadores, cocinas y neveras.** Existe un mayor riesgo de descarga eléctrica si su propio cuerpo está conectado a tierra.

- No exponga las herramientas eléctricas a la lluvia ni a condiciones húmedas.** Si entra agua en una herramienta eléctrica, aumentará el riesgo de descarga eléctrica.
- No someta el cable de alimentación a presión innecesaria. No use nunca el cable para transportar, tirar de la herramienta eléctrica o desenchufarla. Mantenga el cable alejado del calor, aceite, bordes afilados y piezas en movimiento.** Los cables dañados o enredados aumentan el riesgo de descarga eléctrica.
- Cuando esté utilizando una herramienta eléctrica al aire libre, use un cable alargador adecuado para uso en exteriores.** La utilización de un cable adecuado para el uso en exteriores reduce el riesgo de descarga eléctrica.
- Si no puede evitar utilizar una herramienta eléctrica en un lugar húmedo, use un suministro protegido con un dispositivo de corriente residual.** El uso de un dispositivo de corriente residual reduce el riesgo de descarga eléctrica.

3. Seguridad personal

- Manténgase alerta, esté atento a lo que hace y use el sentido común cuando utilice una herramienta eléctrica. No maneje una herramienta eléctrica cuando esté cansado o bajo los efectos de drogas, medicamentos o alcohol.** Un momento de desatención cuando se manejan las herramientas eléctricas puede ocasionar lesiones personales graves.
- Utilice equipo de seguridad personal. Utilice siempre protección ocular.** El uso del equipo protector, como mascarillas antipolvo, calzado antideslizante, casco o protección auditiva para condiciones apropiadas, reducirá las lesiones personales.
- Evite la puesta en funcionamiento involuntaria. Asegúrese de que el interruptor esté en posición de apagado antes de conectar con la fuente de alimentación y/o la batería, de levantar o transportar la herramienta.** El transportar herramientas eléctricas con el dedo puesto en el interruptor o herramientas eléctricas activadoras que tengan el interruptor encendido puede provocar accidentes.
- Saque toda llave de ajuste o llave inglesa antes de encender la herramienta eléctrica.** Una llave inglesa u otra llave que se deje puesta en una pieza en movimiento de la herramienta eléctrica pueden ocasionar lesiones personales.
- No se estire demasiado. Mantenga un equilibrio adecuado y la estabilidad constantemente.** Esto permite un mejor control de la herramienta eléctrica en situaciones inesperadas.

- f. **Use la vestimenta adecuada. No se ponga ropa suelta o joyas. Mantenga el cabello, la ropa y los guantes alejados de las piezas en movimiento.** La ropa suelta, las joyas y el pelo largo pueden quedar atrapados en las piezas en movimiento.
 - g. **Si se suministran dispositivos para la conexión del equipo de extracción y recogida de polvo, asegúrese de que estén conectados y de que se usen adecuadamente.** El uso de equipo de recogida de polvo puede reducir los riesgos relacionados con el polvo.
4. **Uso y cuidado de la herramienta eléctrica**
 - a. **No fuerce la herramienta eléctrica. Use la herramienta eléctrica correcta para su trabajo.** La herramienta eléctrica correcta funcionará mejor y con mayor seguridad si se utiliza de acuerdo con sus características técnicas.
 - b. **No utilice la herramienta eléctrica si no puede encenderse y apagarse con el interruptor.** Toda herramienta eléctrica que no pueda controlarse con el interruptor es peligrosa y debe ser reparada.
 - c. **Desconecte el enchufe de la fuente de alimentación y/o el paquete de baterías de la herramienta eléctrica antes de realizar cualquier ajuste, cambiar accesorios o guardar las herramientas eléctricas.** Dichas medidas de seguridad preventivas reducen el riesgo de poner en marcha accidentalmente la herramienta eléctrica.
 - d. **Guarde las herramientas eléctricas que no esté utilizando fuera del alcance de los niños y no permita que utilicen la herramienta eléctrica las personas que no estén familiarizadas con ella o con estas instrucciones.** Las herramientas eléctricas son peligrosas en manos de personas no capacitadas.
 - e. **Ocúpese del mantenimiento de las herramientas eléctricas. Compruebe si hay desalineación o bloqueo de las piezas en movimiento, rotura de piezas y otras condiciones que puedan afectar el funcionamiento de la herramienta eléctrica. Si la herramienta eléctrica está dañada, llévela para que sea reparada antes de utilizarla.** Se ocasionan muchos accidentes por el mal mantenimiento de las herramientas eléctricas.
 - f. **Mantenga las herramientas para citar afiladas y limpias.** Hay menos probabilidad de que las herramientas para cortar con bordes afilados se bloqueen y son más fáciles de controlar.
 - g. **Utilice la herramienta eléctrica, los accesorios y las brocas de la herramienta, etc., conforme a estas instrucciones, teniendo en cuenta las condiciones de trabajo y el trabajo que vaya a realizarse.** El uso de la herramienta eléctrica para operaciones que no sean las previstas puede ocasionar una situación peligrosa.

5. Servicio

- a. **Lleve su herramienta eléctrica para que sea reparada por una persona cualificada para realizar las reparaciones que use solo piezas de recambio idénticas.** Esto le asegurará el mantenimiento de la seguridad de la herramienta eléctrica.

Otras advertencias de seguridad para herramientas eléctricas



¡Advertencia! Otras advertencias de seguridad para operaciones de amolado, lijado, pulido o corte abrasivo

- ◆ **Esta herramienta eléctrica está diseñada para funcionar como amoladora, cepillo de alambre o herramienta de corte. Lea todas las advertencias de seguridad, instrucciones, ilustraciones y especificaciones suministradas con esta herramienta eléctrica.** El incumplimiento de las instrucciones que se indican a continuación puede causar descargas eléctricas, incendios y/o lesiones graves.
- ◆ **El uso para operaciones para las que la herramienta no ha sido diseñada puede ocasionar riesgos y lesiones personales.**
- ◆ **No utilice accesorios que no estén diseñados y recomendados específicamente por el fabricante de la herramienta.** El hecho de que el accesorio pueda acoplarse a la herramienta eléctrica no garantiza un funcionamiento sin riesgos.
- ◆ **La velocidad prevista del accesorio debe ser como mínimo igual a la velocidad máxima marcada en la herramienta eléctrica.** Los accesorios que funcionen más rápido que su velocidad prevista pueden romperse y salir volando.
- ◆ **El diámetro externo y el grosor del accesorio deben estar dentro de la capacidad de su herramienta eléctrica.** Los accesorios de tamaño incorrecto no pueden protegerse o controlarse adecuadamente.
- ◆ **La instalación por rosca de accesorios debe coincidir con la rosca del eje de la amoladora. Para los accesorios instalados por bridas, el orificio del eje del accesorio debe adaptarse al diámetro de la brida.** Los accesorios que no se corresponden con las piezas de montaje de la herramienta eléctrica se desequilibrarán, vibrarán excesivamente y pueden causar pérdida de control.
- ◆ **No utilice un accesorio dañado. Antes de cada uso, inspeccione los accesorios, por ejemplo, las muelas abrasivas, para verificar si tienen muescas o grietas; el plato portadiscos, para verificar si tiene grimas o roturas o si está muy desgastado, y el cepillo de**

metal, para verificar si tiene alambres sueltos o quebrados. Si la herramienta eléctrica o un accesorio se caen, compruebe que no estén dañados y, en su caso, instale un accesorio no dañado. Después de inspeccionar e instalar un accesorio, ponga en marcha la herramienta eléctrica, a la velocidad máxima sin carga, durante un minuto. Por lo general, los accesorios dañados se rompen durante la prueba.

- ◆ **Póngase un equipo de protección personal.** Dependiendo de la aplicación, use un protector facial y gafas protectoras. Si corresponde, póngase una mascarilla antipolvo, protectores para el oído, guantes y un delantal de trabajo que pueda detener pequeños fragmentos abrasivos o de la pieza de trabajo. La protección ocular debe poder detener las partículas volantes que se producen con varias operaciones. La mascarilla antipolvo o el respirador deben poder filtrar las partículas generadas por la operación que esté realizando. La exposición prolongada al ruido de intensidad elevada puede causar pérdida auditiva.
- ◆ **Mantenga a las personas que estén cerca a una distancia de seguridad del área de trabajo.** Todas las personas que entren al área de trabajo deben llevar puesto un equipo de protección personal. Los fragmentos de una pieza de trabajo o de un accesorio roto pueden salir disparados y provocar una lesión más allá del área inmediata de operación.
- ◆ **Sostenga exclusivamente la herramienta eléctrica por las superficies de agarre aisladas cuando realice una operación en la que el accesorio de corte pueda estar en contacto con un cable oculto o con su propio cable.** El corte de un accesorio que entre en contacto con un cable cargado, puede cargar las partes metálicas expuestas de la herramienta eléctrica y producir una descarga eléctrica al operador.
- ◆ **Coloque el cable lejos del accesorio giratorio.** Si pierde el control, el cable puede cortarse o engancharse y puede arrastrar a la mano o el brazo hacia el accesorio giratorio.
- ◆ **No deje nunca a un lado la herramienta eléctrica hasta que el accesorio se haya detenido por completo.** El accesorio giratorio puede agarrarse a la superficie y hacer que usted pierda el control de la herramienta.
- ◆ **No ponga en funcionamiento la herramienta eléctrica mientras la transporte a su lado.** El contacto accidental con el accesorio giratorio podría hacer que se enganche la ropa y que el accesorio toque su cuerpo.
- ◆ **Limpie periódicamente los orificios de ventilación de la herramienta eléctrica.** El ventilador del motor atraerá el polvo dentro de la caja protectora y la acumulación excesiva del metal en polvo puede ocasionar riesgos eléctricos.

- ◆ **No utilice la herramienta eléctrica cerca de materiales inflamables.** Las chispas podrían prender fuego a estos materiales.
- ◆ **No utilice accesorios que requieran líquidos refrigerantes.** El uso de agua u otros refrigerantes líquidos puede ocasionar electrocución o descarga.

Nota: La advertencia anterior no se aplica a las herramientas eléctricas que se hayan diseñado específicamente para usarlas con un sistema líquido.

Rebote y advertencias relacionadas

El rebote es una reacción repentina al quedar enganchados o atrapados una muela, un plato portadiscos, un cepillo u otro accesorio en movimiento. Al engancharse o quedar presionado un accesorio en movimiento, este se detiene rápidamente y, a su vez, provoca que la herramienta eléctrica no controlada quede forzada en dirección opuesta a la rotación del accesorio en el punto del trabado.

Por ejemplo, si una muela abrasiva se engancha o queda presionada por la pieza de trabajo, el borde de la muela que entra en el punto de presión puede incrustarse en la superficie del material ocasionando que la muela se salga o se trabe. La muela puede saltar hacia el operador o lejos de él, dependiendo de la dirección del movimiento de la muela en el punto de presión.

Las muelas abrasivas también pueden romperse en estas condiciones.

El rebote es el resultado del mal uso de la herramienta eléctrica o de procedimientos o condiciones de operación incorrectos, y se puede evitar si se toman las precauciones debidas, que se enumeran a continuación:

- ◆ **Sujete firmemente la herramienta eléctrica y sitúe el cuerpo y el brazo de manera que pueda resistir la fuerza del rebote.** Para un máximo control del rebote o de la reacción del par motor durante la puesta en marcha, utilice siempre la empuñadura auxiliar, si la hubiera. El operador puede controlar la reacción del par motor o la fuerza del rebote si se toman las precauciones adecuadas.
- ◆ **No ponga nunca la mano cerca del accesorio giratorio.** El accesorio puede rebotarle en la mano.
- ◆ **No se sitúe en el área hacia donde vaya a moverse la herramienta eléctrica si ocurre un rebote.** El rebote impulsará la herramienta en la dirección opuesta al movimiento de la muela en el momento del enganche.
- ◆ **Tenga especial cuidado cuando trabaje con esquinas, bordes afilados, etc. Evite hacer rebotar o enganchar el accesorio.** Las esquinas, los bordes afilados o los rebotes tienen tendencia a enganchar el accesorio en movimiento y ocasionar pérdida de control o tensión de retroceso.

- ◆ **No acople una hoja de tallado de madera de sierra de cadena o una hoja de sierra dentada.** Dichas hojas ocasionan frecuentes rebotes y pérdida de control.

Advertencias de seguridad específicas para operaciones de amolado y corte abrasivo

- ◆ **Utilice solo tipos de muela que estén recomendados para su herramienta eléctrica y el protector específico diseñado para la muela seleccionada.** Las muelas para las que la herramienta eléctrica no ha sido diseñada no pueden protegerse adecuadamente y no son seguras.
- ◆ **La superficie de amolado de las muelas centrales presionadas debe instalarse debajo del plano del borde del protector.** Una rueda instalada incorrectamente que se proyecta fuera del plano del borde del protector no puede protegerse correctamente.
- ◆ **El protector debe estar bien sujeto a la herramienta eléctrica y posicionado para una seguridad máxima, de manera que la muela quede lo menos expuesta posible hacia el operador.** El protector ayuda a proteger al operador de fragmentos de muela rotos y del contacto accidental con la muela y las chispas que podrían incendiar la ropa.
- ◆ **Las muelas deben utilizarse únicamente para las aplicaciones recomendadas. Por ejemplo, no amole con el lado de una muela de corte.** Las muelas de corte abrasivo están previstas para el amolado periférico y si se aplican fuerzas laterales a estas muelas se podrían romper.
- ◆ **Use siempre bridas de muela no dañadas que sean del tamaño y la forma correctos para la muela seleccionada.** Las bridas de muela apropiadas sirven de soporte para la muela, reduciendo así la posibilidad de roturas de la misma. Las bridas de las muelas de corte pueden ser diferentes de las bridas de las muelas para amolado.
- ◆ **No utilice muelas desgastadas de herramientas eléctricas más grandes.** Una muela diseñada para una herramienta eléctrica más grande no es adecuada para la mayor velocidad de una herramienta más pequeña y puede explotar.

Otras advertencias de seguridad específicas para operaciones de corte abrasivo

- ◆ **No “ataque” la muela de corte ni aplique excesiva presión. No intente hacer un corte de profundidad excesiva.** El ejercer demasiada presión sobre la muela aumenta la carga y la susceptibilidad de giro o bloqueo de la muela en el corte y la posibilidad de rebote o rotura de la muela.
- ◆ **No posicione su cuerpo alineado con respecto a la muela en movimiento ni detrás de ella.** Cuando la muela, en el punto de operaciones, se aleje de su cuerpo,

el posible rebote puede propulsar la muela en movimiento y la herramienta eléctrica directamente hacia usted.

- ◆ **Cuando la muela esté bloqueada o cuando interrumpa un corte por cualquier razón, apague la herramienta eléctrica y sujétela sin moverse hasta que la muela se pare por completo. No intente nunca sacar del corte la muela de corte mientras esta se encuentre en movimiento, de lo contrario, puede producirse un rebote.** Investigue y tome medidas correctivas para eliminar la causa del trabado de la muela.
- ◆ **No vuelva a empezar la operación de corte en la pieza de trabajo. Espere hasta que la muela alcance la velocidad máxima y vuelva a introducirla en el corte con cuidado.** La muela puede bloquearse, saltar o rebotar si la herramienta eléctrica vuelve a ponerse en marcha en la pieza de trabajo.
- ◆ **Apoye los paneles o cualquier otra pieza de trabajo de tamaño grande para minimizar el riesgo de presión o rebote de la muela.** Las piezas de trabajo grandes tienden a hundirse por su propio peso. Se deben colocar soportes debajo de la pieza de trabajo, cerca de la línea de corte y cerca del borde de la pieza de trabajo en ambos lados de la muela.
- ◆ **Tenga mucho cuidado cuando realice “cortes de profundidad” en paredes existentes u otras zonas ciegas.** La muela protuberante puede cortar las tuberías de gas o de agua, la instalación eléctrica o los objetos que puedan ocasionar un rebote.

Advertencias de seguridad específicas para operaciones de lijado

- ◆ **No utilice papel de disco de lijado de un tamaño excesivamente grande. Siga las recomendaciones del fabricante al seleccionar el papel de lijado.** El papel de lijado grande que sobresalga del disco de lijado presenta un riesgo de laceración y puede ocasionar el enganche o rotura del disco o un rebote.

Advertencias de seguridad específicas para operaciones de pulido

- ◆ **No permita que gire libremente ninguna parte suelta del bonete de pulido o los cordones de sus accesorios. Remeta o corte todos los cordones sueltos de los accesorios.** Los cordones de los accesorios sueltos o en movimiento pueden engancharse en los dedos o en la pieza de trabajo.

Seguridad de otras personas

- ◆ **Este aparato no está destinado al uso por parte de personas (incluyendo los niños) con capacidades físicas, sensoriales o mentales reducidas, o que carezcan de**

experiencia o del conocimiento necesario, a menos que estén supervisadas o reciban las instrucciones relativas al uso del aparato por una persona encargada de su seguridad.

- ◆ Los niños deberán permanecer vigilados para asegurarse de que no jueguen con el aparato.

Riesgos residuales.

Pueden producirse otros riesgos residuales al usar la herramienta que no se hayan incluido en las advertencias de seguridad adjuntas. Estos riesgos pueden derivarse de un mal uso, un uso prolongado, etc.

No obstante el cumplimiento de las normas de seguridad pertinentes y del uso de dispositivos de seguridad, existen determinados riesgos residuales que no pueden evitarse.

Esto incluye:

- ◆ **Lesiones causadas por el contacto con las piezas giratorias/móviles.**
- ◆ **Lesiones causadas al cambiar piezas, hojas o accesorios.**
- ◆ **Lesiones causadas por el uso prolongado de una herramienta. Cuando use cualquier herramienta durante periodos prolongados, asegúrese de hacer pausas regulares.**
- ◆ **Deterioro auditivo.**
- ◆ **Riesgos para la salud causados por la respiración del polvo generado por el uso de la herramienta (por ejemplo, al trabajar con madera, especialmente roble, haya, tablero semiduro de fibras y cuarzo en polvo de hormigón).**

Vibraciones

Los valores de emisiones de las vibraciones declarados que se indican en los datos técnicos y en la declaración de conformidad se han medido de conformidad con un método estándar de prueba establecido en la norma EN60745 y se puede utilizar para comparar una herramienta con otra. El valor declarado de emisión de las vibraciones también se puede usar en una evaluación preliminar de la exposición.

¡Advertencia! El valor de emisión de las vibraciones durante el uso de la herramienta eléctrica puede variar con respecto al valor declarado, dependiendo de las formas de usar la herramienta. El nivel de las vibraciones puede superar el nivel indicado.

A la hora de evaluar la exposición a las vibraciones para determinar las medidas de seguridad exigidas por la Directiva 2002/44/CE para proteger a las personas que utilizan habitualmente herramientas electrónicas en su trabajo, una estimación de la exposición a las vibraciones debe tener en cuenta las condiciones reales de uso y la forma en que se

utiliza la herramienta, teniendo en cuenta también todas las partes del ciclo operativo, como el tiempo que la herramienta está apagada y cuando funciona en ralentí, además del tiempo de activación.

Etiquetas en la herramienta

En la herramienta aparecen los pictogramas siguientes, así como el código de fecha:



¡Advertencia! Para reducir el riesgo de lesiones, el usuario debe leer el manual de instrucciones.



Use gafas de protección cuando utilice esta herramienta.



Use protección para los oídos cuando utilice esta herramienta.

Seguridad eléctrica



Esta herramienta cuenta con aislamiento doble; por lo tanto, no se requiere un cable de conexión a tierra. Compruebe siempre que el voltaje suministrado corresponda al indicado en la placa de características.

- ◆ Si el cable de alimentación resulta dañado, debe ser sustituido por el fabricante o por un Taller de reparación autorizado de Stanley Fat Max para evitar peligros.

Características

Esta herramienta incluye todas o algunas de las características siguientes.

1. Interruptor de encendido/apagado
2. Empuñadura lateral
3. Bloqueo del eje
4. Protector de amolado

Ensamblaje

¡Advertencia! Antes del ensamblaje, asegúrese de que la herramienta esté apagada y desenchufada.

Ajuste y extracción del protector (fig. A)

La herramienta se suministra con un protector que se usa con las operaciones de amolado y corte. Asegúrese de utilizar el protector correcto para la operación prevista. Si la unidad se va a utilizar para realizar operaciones de corte, se debe instalar un protector (17, fig. F) específico para dichas operaciones.

Ajuste

- ◆ Coloque la herramienta en una mesa, con el eje (5) hacia arriba.

- ◆ Suelte el bloqueo de fijación (7) y sujete el protector (4) por encima de la herramienta, tal como se muestra.
- ◆ Alinee los salientes (8) con las muescas (9).
- ◆ Presione el protector hacia abajo y hágalo girar en el sentido contrario a las agujas del reloj hasta la posición correspondiente.
- ◆ Apriete el bloqueo de fijación (7) para sujetar el protector en la herramienta.
- ◆ En caso necesario, apriete el tornillo (6) para aumentar la fuerza de sujeción.

Extracción

- ◆ Suelte el bloqueo de sujeción (7).
- ◆ Haga girar el protector en el sentido de las agujas del reloj para alinear los salientes (8) con las muescas (9).
- ◆ Extraiga el protector de la herramienta.

¡Advertencia! No use nunca la herramienta sin el protector.

Ajuste de la empuñadura lateral

- ◆ Atornille la empuñadura lateral (2) en uno de los orificios de montaje de la herramienta.

¡Advertencia! Utilice siempre la empuñadura lateral.

Ajuste y extracción de discos de amolado o corte (fig. B - D)

Utilice siempre el tipo de disco correcto para su aplicación. Utilice siempre discos con el diámetro y el tamaño de orificio correctos (véanse los datos técnicos).

Ajuste

- ◆ Ajuste el protector tal como se ha indicado previamente.
- ◆ Coloque la brida interna (10) en el eje (5), tal como se muestra (fig. B). Asegúrese de que la brida esté ubicada correctamente en los lados planos del eje.
- ◆ Coloque el disco (11) en el eje (5), tal como se muestra (fig. B). Si el disco tiene un centro elevado (12), asegúrese de que esté orientado hacia la brida interna.
- ◆ Asegúrese de que el disco se coloque correctamente en la brida interna.
- ◆ Coloque la brida exterior (13) en el eje. Cuando coloque un disco de amolado, el centro elevado de la brida externa debe quedar orientado hacia el disco (A en la fig. C). Cuando coloque un disco de corte, el centro elevado de la brida externa debe estar orientada en el sentido contrario al disco (B en la fig. C).
- ◆ Mantenga el bloqueo de eje (3) presionado y apriete la brida externa con la llave de dos patillas (14) (fig. D).

Extracción

- ◆ Mantenga el bloqueo de eje (3) presionado y afloje la brida externa (13) con la llave de dos patillas (14) (fig. D).
- ◆ Extraiga la brida externa (13) y el disco (11).

Ajuste y extracción de discos de lijado (fig. D y E)

Para realizar operaciones de lijado se requiere un portadiscos. Puede conseguir el portadiscos en su distribuidor Stanley Fat Max, como accesorio.

Ajuste

- ◆ Coloque la brida interna (10) en el eje (5), tal como se muestra (fig. E). Asegúrese de que la brida esté ubicada correctamente en los lados planos del eje.
- ◆ Coloque el portadiscos (15) en el eje.
- ◆ Coloque el disco de lijado (16) en el portadiscos.
- ◆ Coloque la brida externa (13) en el eje, con el centro elevado orientado en el sentido contrario del disco.
- ◆ Mantenga el bloqueo de eje (3) presionado y apriete la brida externa con la llave de dos patillas (14) (fig. D). Asegúrese de que la brida externa se instale correctamente y que el disco quede bien sujeto.

Extracción

- ◆ Mantenga el bloqueo de eje (3) presionado y afloje la brida externa (13) con la llave de dos patillas (14) (fig. D).
- ◆ Extraiga la brida externa (13), el disco de lijado (16) y el portadiscos (15).

Uso

¡Advertencia! Deje que la herramienta trabaje a su ritmo; no debe sobrecargarla.

- ◆ Guíe con cuidado el cable para evitar cortarlo accidentalmente.
- ◆ Prepárese para ver las chispas que se generan cuando el disco de amolado o corte entra en contacto con la pieza de trabajo.
- ◆ Coloque siempre la herramienta de forma que el protector proporcione una protección óptima del disco de amolado o corte.

Encendido y apagado

- ◆ Para encender, deslice el interruptor de encendido y apagado (1) hacia delante y, a continuación, presiónelo. Tenga en cuenta que la herramienta seguirá en marcha cuando suelte el interruptor.
- ◆ Para apagar, presione la parte de atrás del interruptor de encendido y apagado.

¡Advertencia! No apague la herramienta mientras tenga carga.

Función de arranque suave

La característica de arranque suave permite que la velocidad aumente lentamente para evitar una sacudida inicial al poner la herramienta en marcha. Esta característica es especialmente útil cuando se trabaja en espacios reducidos.

Tensión nula

La función de tensión nula impide que la amoladora se reinicie sin iniciar el ciclo con el interruptor en caso de interrupción del suministro de energía.

Sugerencias para un uso óptimo

- ◆ Sujete firmemente la herramienta con una mano alrededor de la empuñadura lateral y la otra mano alrededor de la empuñadura principal.
- ◆ Al amolar, mantenga siempre un ángulo de 15° aproximadamente entre el disco y la superficie de la pieza de trabajo.

Mantenimiento

Su aparato / herramienta eléctrico/a con / sin cable Stanley Fat Max se ha diseñado para funcionar durante mucho tiempo con un mantenimiento mínimo. El funcionamiento satisfactorio y continuo depende del buen cuidado de la herramienta y de una limpieza frecuente.

¡Advertencia! Antes de realizar cualquier tarea de mantenimiento en herramientas eléctricas con cable/sin cable:

- ◆ Apague y desenchufe el aparato o herramienta.
- ◆ O apague y extraiga la batería del aparato o herramienta si este cuenta con una batería independiente.
- ◆ O, en caso de batería integrada, agótela por completo y, a continuación, apague la herramienta.
- ◆ Desenchufe el cargador antes de limpiarlo. El cargador no requiere otro mantenimiento que una limpieza periódica.
- ◆ Limpie periódicamente las ranuras de ventilación de su aparato/herramienta/cargador con un cepillo suave o un trapo seco.
- ◆ Limpie periódicamente la carcasa del motor con un trapo húmedo. No utilice productos de limpieza abrasivos o a base de disolventes.
- ◆ Abra periódicamente el mandril y dé unos golpecitos para eliminar el polvo que se pueda encontrar en el interior (en su caso).

Protección del medio ambiente



Recogida selectiva. Los productos y las baterías marcadas con este símbolo no se deben eliminar con la basura doméstica normal.

Los productos y las baterías que contienen materiales que se puedan recuperar o reciclar reducen la demanda de materias primas. Recicle los productos eléctricos y las baterías de conformidad con la normativa local.

Datos técnicos

		FME821 (Tipo 1)	FME822 (Tipo 1)
Tensión de entrada	V _{CA}	230	230
Potencia de entrada	W	850	850
Velocidad prevista	min ⁻¹	12.000	12.000
Diámetro de disco	mm	115	125
Orificio de disco	mm	22	22
Grosor máximo de disco			
discos de amolado	mm	6	6
discos de corte	mm	3,5	3,5
Tamaño del eje		M14	M14
Peso	kg	2,1	2,1

L _{PA} (presión acústica) 94,5 dB(A), Incertidumbre (K) 3 dB(A)
L _{WA} (presión acústica) 105,5 dB(A), Incertidumbre (K) 3 dB(A)
Valores totales de las vibraciones (suma de vectores teniendo en cuenta los tres ejes) de acuerdo con la norma EN60745:
Amolado de superficie (a _{h,SC}) 9,9 m/s ² , incertidumbre (K) 1,5 m/s ²
Corte (a _h) 9,1 m/s ² , incertidumbre (K) 1,5 m/s ²
Pulido (a _{h,P}) 5,0 m/s ² , incertidumbre (K) 1,5 m/s ²
Amolado de disco (a _{h,DS}) 3,3 m/s ² , incertidumbre (K) 1,5 m/s ²

Declaración de conformidad CE

DIRECTIVA SOBRE MAQUINARIA



FME821 / FME822 Amoladora angular

Stanley Europe declara que los productos descritos en el apartado "Datos técnicos" son conformes a las normas siguientes:

2006/42/CE, EN60745-1:2009 +A11:2010;

EN60745-2-3:2011 +A2:2013 +A11:2014 +A12:2014

Estos productos también cumplen con las Directivas 2004/108/CE (hasta el 19.04.2016), 2014/30/UE (desde el 20.04.2016) y 2011/65/UE. Si desea más información, póngase en contacto con Black & Decker en la dirección indicada a continuación o bien consulte la parte posterior de este manual.

El abajo firmante es el responsable de la compilación del archivo técnico y realiza esta declaración en representación de Stanley Europe.

Ray Laverick

Director de Ingeniería

Stanley Europe, Egide Walschaertsstraat 14-18,

2800 Malinas, Bélgica

25/08/2015

Garantía

Stanley Fat Max confía en la calidad de sus productos y ofrece a los consumidores una garantía* de 12 meses a partir de la fecha de compra. Esta garantía es adicional a sus derechos legales y no los menoscaba en modo alguno. La garantía es válida en de los territorios de los Estados miembros de la Unión Europea y de la Asociación Europea de Libre Comercio.

Para reclamar la garantía, la reclamación se debe presentar de conformidad con las condiciones de Stanley Fat Max. Tendrá que adjuntar un justificante de compra al vendedor o al agente técnico autorizado.

Las condiciones de la garantía de 1 año de Stanley Fat Max y la ubicación de su agente técnico autorizado más cercano se pueden obtener en Internet en www.2helpU.com o poniéndose en contacto con su oficina local de Stanley Fat Max en la dirección que se indica en este manual.

Visite nuestro sitio web www.stanleytools.co.uk para registrar su nuevo producto Stanley Fat Max y recibir noticias sobre nuevos productos y ofertas especiales.

Utilização pretendida

A rebarbadora angular FME821, FME822 Stanley Fat Max foi concebida para desbastar e cortar metal e alvenaria utilizando o tipo adequado de disco de corte ou desbaste. Quando está instalada com a protecção adequada, esta ferramenta é concebida para utilização profissional e privada e para utilizadores não profissionais.

Instruções de segurança

Avisos de segurança gerais relativos a ferramentas eléctricas



Aviso! Leia todos os avisos de segurança e todas as instruções. O não seguimento dos avisos e das instruções listadas abaixo poderá resultar em choque eléctrico, incêndio e/ou ferimentos graves.

Guarde todos os avisos e instruções

para futura referência. Em todos os avisos que se seguem abaixo, o termo “ferramenta eléctrica” refere-se à sua ferramenta alimentada pela rede eléctrica (com fios) ou por uma bateria (sem fios).

1. Segurança na área de trabalho

- Mantenha a área de trabalho limpa e bem iluminada.** As áreas desorganizadas ou escuras são propensas a acidentes.
- Não utilize as ferramentas eléctricas em ambientes explosivos, como, por exemplo, na presença de líquidos, gases ou poeiras inflamáveis.** As ferramentas eléctricas criam faíscas que poderão inflamar estas poeiras ou vapores.
- Mantenha crianças e outras pessoas à distância quando utilizar a ferramenta eléctrica.** As distrações podem levar à perda do controlo da ferramenta.

2. Segurança eléctrica

- As fichas das ferramentas eléctricas têm de ser compatíveis com a tomada de electricidade. Nunca modifique a ficha de forma alguma. Não utilize fichas adaptadoras com ferramentas eléctricas ligadas à terra.** As fichas não modificadas e as tomadas compatíveis reduzem o risco de choque eléctrico.
- Evite o contacto corporal com superfícies ligadas à terra, como tubos, radiadores, fogões e frigoríficos.** Se o seu corpo estiver “ligado” à terra, o risco de choque eléctrico é maior.
- Não exponha as ferramentas eléctricas à chuva ou a condições de humidade.** A entrada de água numa ferramenta eléctrica aumenta o risco de choque eléctrico.

- Não aplique força excessiva sobre o cabo. Nunca o utilize para transportar, puxar ou desligar a ferramenta eléctrica. Mantenha o cabo afastado de fontes de calor, substâncias oleosas, extremidades aguçadas ou peças móveis.** Os cabos danificados ou emaranhados aumentam o risco de choque eléctrico.
- Ao utilizar uma ferramenta eléctrica no exterior, use uma extensão adequada para utilização ao ar livre.** A utilização de um cabo adequado para uso ao ar livre reduz o risco de choque eléctrico.
- Se não for possível evitar trabalhar com uma ferramenta eléctrica num local húmido, utilize uma fonte de alimentação protegida por um dispositivo de corrente residual (DCR).** A utilização de um DCR reduz o risco de choque eléctrico.

3. Segurança pessoal

- Mantenha-se atento, preste atenção ao que está a fazer e faça uso de bom senso ao operar uma ferramenta eléctrica. Não utilize uma ferramenta eléctrica quando estiver cansado ou sob o efeito de drogas, álcool ou medicamentos.** Um momento de distração durante a utilização de ferramentas eléctricas poderá resultar em ferimentos graves.
- Use equipamento de protecção pessoal. Use sempre uma protecção ocular.** O equipamento de protecção, como, por exemplo, uma máscara contra o pó, sapatos de segurança antiderrapantes, um capacete de segurança ou uma protecção auditiva, usado nas condições apropriadas, reduz o risco de ferimentos.
- Evite accionamentos acidentais. Certifique-se de que o interruptor da ferramenta está na posição de desligado antes de a ligar à tomada de electricidade e/ou inserir a bateria, ou antes de pegar ou transportar a ferramenta.** Se mantiver o dedo sobre o interruptor ao transportar ferramentas eléctricas ou se as ligar à fonte de alimentação com o interruptor ligado, poderá originar acidentes.
- Retire qualquer chave de ajuste ou chave de porcas antes de ligar a ferramenta eléctrica.** Uma chave de porcas ou chave de ajuste deixada numa peça móvel da ferramenta poderá resultar em ferimentos.
- Não se estique demasiado ao trabalhar com a ferramenta. Mantenha sempre os pés bem apoiados e um equilíbrio apropriado.** Desta forma, será mais fácil controlar a ferramenta eléctrica em situações inesperadas.
- Use vestuário adequado. Não use roupa larga nem jóias. Mantenha o cabelo, a roupa e as luvas afastados das peças móveis.** As roupas largas, as jóias ou o cabelo comprido podem ficar presos nestas peças.

- g. **Se forem fornecidos acessórios para a ligação de equipamentos de extracção e recolha de partículas, certifique-se de que estes são ligados e utilizados correctamente.** A utilização de dispositivos de extracção de partículas pode reduzir os riscos relacionados com as mesmas.
4. **Utilização e cuidados a ter com a ferramenta**
- a. **Não utilize a ferramenta eléctrica de forma forçada. Utilize a ferramenta eléctrica correcta para o seu trabalho.** A ferramenta eléctrica adequada irá efectuar o trabalho de um modo mais eficiente e seguro se for utilizada de acordo com a capacidade para a qual foi concebida.
- b. **Não utilize a ferramenta eléctrica se o respectivo interruptor não a ligar e desligar.** Qualquer ferramenta eléctrica que não possa ser controlada através do interruptor de alimentação é perigosa e tem de ser reparada.
- c. **Retire a ficha da tomada de electricidade e/ou a bateria da ferramenta eléctrica antes de efectuar quaisquer ajustes, substituir acessórios ou guardar a ferramenta.** Estas medidas de segurança preventivas reduzem o risco de ligar a ferramenta eléctrica acidentalmente.
- d. **Guarde as ferramentas eléctricas que não estiverem a ser utilizadas fora do alcance de crianças e não permita que o equipamento seja utilizado por pessoas não familiarizadas com o mesmo ou com estas instruções.** As ferramentas eléctricas são perigosas nas mãos de pessoas que não possuam as qualificações necessárias para as manusear.
- e. **Faça a devida manutenção das ferramentas eléctricas. Verifique se as peças móveis da ferramenta eléctrica estão alinhadas e não emperram, bem como se existem peças partidas ou danificadas ou quaisquer outras condições que possam afectar o funcionamento da mesma. Se a ferramenta eléctrica estiver danificada, esta não deve ser utilizada até que seja reparada.** Muitos acidentes têm como principal causa ferramentas eléctricas com uma manutenção insuficiente.
- f. **Mantenha as ferramentas de corte sempre afiadas e limpas.** As ferramentas de corte sujeitas a uma manutenção adequada, com arestas de corte afiadas, emperram com menos frequência e controlam-se com maior facilidade.
- g. **Utilize a ferramenta eléctrica, os acessórios e as peças, etc., de acordo com estas instruções, tendo em conta as condições de trabalho e a tarefa a ser efectuada.** A utilização da ferramenta eléctrica para fins diferentes dos previstos poderá resultar em situações perigosas.

5. Assistência

- a. **A sua ferramenta eléctrica só deve ser reparada por um técnico qualificado e só devem ser utilizadas peças sobresselentes originais.** Desta forma, é garantida a segurança da ferramenta eléctrica.

Avisos de segurança adicionais relativos a ferramentas eléctricas



Aviso! Avisos de segurança adicionais para operações de desbaste, lixagem, polimento ou corte abrasivo

- ◆ **Esta ferramenta eléctrica foi concebida para funcionar como ferramenta de desbaste, lixagem, polimento ou corte. Leia todos os avisos de segurança, instruções, ilustrações e especificações fornecidas com esta ferramenta eléctrica.** O não cumprimento de todas as instruções indicadas abaixo pode resultar em choque eléctrico, incêndio e/ou lesões graves.
- ◆ **As operações para as quais a ferramenta eléctrica não foi concebida poderão criar perigo e causar ferimentos.**
- ◆ **Não utilize acessórios que não tenham sido especificamente concebidos e recomendados pelo fabricante da ferramenta.** O facto de um acessório poder ser instalado na sua ferramenta eléctrica não garante um funcionamento seguro do mesmo.
- ◆ **A velocidade nominal do acessório tem de ser, no mínimo, equivalente à velocidade máxima indicada na ferramenta eléctrica.** Os acessórios que forem utilizados a uma velocidade superior à respectiva velocidade nominal poderão fragmentar-se e projectar esses fragmentos.
- ◆ **O diâmetro exterior e a espessura do seu acessório têm de ser compatíveis com a capacidade da sua ferramenta eléctrica.** Os acessórios com um tamanho incorrecto não podem ser protegidos nem controlados de forma adequada.
- ◆ **A montagem em rosca dos acessórios deve corresponder à rosca do veio da ferramenta de desbaste. No que respeita a acessórios montados com flanges, o orifício de fixação do acessório deve corresponder ao diâmetro de localização da flange.** Os acessórios que não correspondam ao tamanho dos elementos de montagem da ferramenta eléctrica irão funcionar de forma desequilibrada e vibrar de modo excessivo, podendo causar a perda do controlo da ferramenta.
- ◆ **Não utilize acessórios danificados. Antes de cada utilização, inspecione os acessórios, procurando danos nos mesmos. Por exemplo, procure rachas e fendas nos discos abrasivos, fendas nos discos de**

apoio, danos ou desgaste excessivo e arames soltos ou partidos. Se deixar cair a ferramenta eléctrica ou os acessórios, verifique se apresenta danos ou instale um acessório sem danos. Após a inspecção e instalação de um acessório, ligue a ferramenta eléctrica na respectiva velocidade máxima em vazio durante um minuto. Os acessórios danificados irão normalmente fragmentar-se durante este período de teste.

- ◆ **Use equipamento de protecção pessoal. Dependendo da operação, use uma viseira ou óculos de protecção. De acordo com o necessário, use uma máscara contra o pó, protectores auditivos, luvas e um avental de trabalho capaz de o proteger contra pequenos fragmentos abrasivos ou da peça de trabalho.** A protecção ocular tem de ser capaz de o proteger contra a projecção de detritos resultantes de várias operações. A máscara contra o pó (ou um filtro respiratório equivalente) tem de ser capaz de filtrar as partículas criadas pela utilização da ferramenta. A exposição prolongada a ruídos de elevada intensidade poderá causar perda de audição.
- ◆ **Mantenha as outras pessoas presentes no local a uma distância segura da área de trabalho. Qualquer pessoa que entre no perímetro da área de trabalho tem de usar equipamento de protecção pessoal.** Poderá dar-se o caso de fragmentos da peça de trabalho ou de um acessório partido serem projectados para longe e causarem ferimentos fora da área de trabalho imediata.
- ◆ **Segure a ferramenta eléctrica apenas pelas superfícies isoladas específicas para o efeito ao efectuar uma operação em que o acessório de corte possa entrar em contacto com fios ocultos ou com o próprio cabo da ferramenta.** Um acessório de corte que entre em contacto com um fio com tensão eléctrica poderá fazer com que as peças de metal expostas da ferramenta conduzam electricidade e electrocitem o utilizador.
- ◆ **Afaste o cabo de alimentação do acessório rotativo.** Se perder o controlo da ferramenta, o cabo poderá ser cortado ou ficar preso no acessório, puxando a sua mão ou o seu braço na direcção do acessório rotativo.
- ◆ **Nunca pause a ferramenta eléctrica antes de o acessório ficar completamente imobilizado.** Caso contrário, o acessório rotativo poderá ficar preso na superfície onde pousou a ferramenta eléctrica e puxá-la para longe das suas mãos, fazendo-o perder o controlo da mesma.
- ◆ **Não ligue a ferramenta eléctrica enquanto estiver a transportá-la ao seu lado.** Um contacto accidental do acessório rotativo com a sua roupa poderá prendê-la no mesmo, puxando o acessório na direcção do seu corpo.
- ◆ **Limpe regularmente as aberturas de ventilação da ferramenta eléctrica.** A ventoinha do motor irá puxar as partículas no interior da caixa da ferramenta e a acumulação excessiva de metal em pó poderá causar riscos eléctricos.

- ◆ **Não utilize a ferramenta eléctrica perto de materiais inflamáveis.** Estes materiais poderão ser inflamados por faíscas da ferramenta.
- ◆ **Não utilize acessórios que necessitem de líquidos de refrigeração.** A utilização de água ou outros líquidos de refrigeração poderá resultar em electrocussão ou choque eléctrico.

Nota: O aviso indicado acima não se aplica a ferramentas eléctricas concebidas especificamente para utilização com um sistema líquido.

Aviso relacionado com o efeito de coice e situações semelhantes

O efeito de coice é uma reacção súbita resultante do aperto ou bloqueio de um disco rotativo, de um disco de suporte, de uma catrancha ou de qualquer outro acessório. O aperto ou bloqueio causa uma paragem rápida do acessório rotativo, o que, por sua vez, faz com que a ferramenta eléctrica seja impelida na direcção oposta à rotação do acessório no ponto de bloqueio.

Por exemplo, se um disco abrasivo ficar preso ou for apertado pela peça de trabalho, a extremidade do disco que estiver em contacto com o ponto de aperto pode penetrar a superfície do material, fazendo o disco subir ou saltar da peça. O disco poderá então saltar na direcção do utilizador ou para longe do mesmo, dependendo da direcção do movimento do disco no ponto de aperto.

Os discos abrasivos podem também partir-se nestas condições.

O efeito de coice é o resultado de uma utilização abusiva da ferramenta eléctrica e/ou de condições ou procedimentos de utilização incorrectos e pode ser evitado tomando as precauções indicadas abaixo:

- ◆ **Segure a ferramenta eléctrica com firmeza e posicione o seu corpo e o seu braço de forma a poder resistir ao efeito de coice. Utilize sempre o punho auxiliar, caso este seja fornecido, para controlar ao máximo o efeito de coice ou a reacção do binário durante o arranque da ferramenta.** O utilizador pode controlar facilmente a reacção do binário ou o efeito de coice se forem tomadas as devidas precauções.
- ◆ **Nunca coloque a sua mão perto do acessório rotativo.** O efeito de coice poderá fazer o acessório saltar para cima da sua mão.
- ◆ **Não posicione o seu corpo na área para a qual a ferramenta eléctrica poderá saltar caso ocorra o efeito de coice.** O efeito de coice irá projectar a ferramenta na direcção oposta ao movimento do disco no ponto de bloqueio.

- ◆ **Tenha especial cuidado ao utilizar a ferramenta em cantos, extremidades aguçadas, etc. Evite que o acessório salte ou fique preso na peça de trabalho.** Os cantos, as extremidades aguçadas ou o facto de o acessório rotativo saltar tendem a fazê-lo ficar preso na peça de trabalho e, consequentemente, a causar a perda do controlo da ferramenta ou a ocorrência do efeito de coice.
- ◆ **Não instale na ferramenta uma lâmina de corrente de serra para esculpir madeira ou uma lâmina de serra dentada.** Estas lâminas originam frequentemente o efeito de coice e a perda do controlo da ferramenta.

Avisos de segurança específicos para operações de desbaste e corte abrasivo:

- ◆ **Utilize apenas os tipos de disco recomendados para a sua ferramenta eléctrica e a protecção específica concebida para o disco seleccionado.** Os discos para os quais a ferramenta eléctrica não foi concebida não podem ser protegidos de forma adequada e, consequentemente, não são seguros.
- ◆ **A superfície de desbaste das rodas com depressão central deve ser montada abaixo da plaina da aba de protecção.** Uma roda montada incorrectamente que fique saliente através da plaina da aba de protecção não dispõe de protecção adequada.
- ◆ **A protecção tem de ser fixa com segurança à ferramenta eléctrica e posicionada de forma a proporcionar a máxima segurança possível, de modo a que apenas esteja exposta uma superfície mínima do disco na direcção do utilizador.** O resguardo ajuda a proteger o utilizador contra fragmentos do disco partido, qualquer contacto accidental com o disco e as faiscas podem queimar a roupa.
- ◆ **Os discos devem ser utilizados exclusivamente para as operações recomendadas. Por exemplo, não desbaste materiais com a parte lateral de um disco de corte.** Os discos de corte abrasivos destinam-se a efectuar desbastes periféricos e qualquer pressão lateral aplicada nestes discos poderá parti-los.
- ◆ **Utilize sempre encaixes de disco intactos com um tamanho e uma forma adequados para o disco seleccionado.** Os encaixes de disco apropriados suportam correctamente o disco, reduzindo assim a possibilidade de quebra do mesmo. Os encaixes para discos de corte poderão ser diferentes dos encaixes para discos de desbaste.
- ◆ **Não utilize discos gastos de ferramentas eléctricas maiores.** Os discos concebidos para ferramentas eléctricas maiores não são adequados para a velocidade mais alta de uma ferramenta mais pequena e poderão fragmentar-se.

Avisos adicionais de segurança específicos para operações de corte abrasivo

- ◆ **Não utilize o disco de corte de forma forçada nem aplique uma pressão excessiva no mesmo. Não efectue cortes excessivamente profundos.** Utilizar o disco de forma forçada aumenta a respectiva carga de trabalho e a susceptibilidade à torção ou ao bloqueio do mesmo no corte, bem como a possibilidade de ocorrer o efeito de coice ou a fragmentação do disco.
- ◆ **Não posicione o seu corpo directamente atrás do disco rotativo.** Quando o disco, no ponto da operação, estiver a afastar-se do seu corpo, o possível efeito de coice pode impelir o disco rotativo e a ferramenta eléctrica directamente contra si.
- ◆ **Quando o disco estiver a emperrar ou ao interromper um corte por qualquer razão, desligue a ferramenta eléctrica e segure-a sem se mexer até que o disco fique completamente imobilizado. Nunca retire o disco de corte do corte enquanto o disco estiver em movimento. Caso contrário, poderá ocorrer o efeito de coice.** Investigue e tome acções correctivas para eliminar a causa do bloqueio do disco.
- ◆ **Não recomece a operação de corte na peça de trabalho. Deixe o disco alcançar a velocidade máxima e coloque a serra com cuidado no local do corte.** A roda poderá subir ou saltar da peça de trabalho ou emperrar se a ferramenta eléctrica for reiniciada em contacto com a peça.
- ◆ **Suporte quaisquer painéis ou peça de trabalho sobredimensionadas para minimizar o risco de aperto do disco e ocorrência do efeito de coice.** As peças de trabalho de grandes dimensões tendem a vergar sobre o seu próprio peso. É necessário colocar suportes por baixo da peça de trabalho em ambos os lados do disco, perto da linha de corte e da extremidade da peça.
- ◆ **Tenha especial cuidado ao efectuar um corte directo em paredes ou noutras áreas em que não seja possível visualizar quaisquer itens ocultos dentro das mesmas.** O disco poderá cortar a canalização de gás ou água, a cablagem eléctrica ou outros objectos que podem causar o efeito de coice.

Avisos de segurança específicos sobre operações de lixagem

- ◆ **Não utilize lixa para discos abrasivos com um tamanho excessivo. Siga as recomendações do fabricante ao seleccionar a lixa a utilizar.** Uma lixa com um tamanho excessivo que ultrapasse o limite do disco de suporte representa um risco de dilaceração e poderá fazer o disco ficar preso ou danificado, ou causar a ocorrência do efeito de coice.

Avisos de segurança específicos para operações de polimento

- ◆ Não deixe rodar livremente qualquer parte solta do acessório de polimento ou dos respectivos fios de fixação. Esconda ou corte quaisquer fios de fixação soltos. Os fios de fixação soltos a rodar podem prender os seus dedos ou ficar presos na peça de trabalho.

Segurança de outras pessoas

- ◆ Este aparelho não deve ser utilizado por pessoas (incluindo crianças) com capacidades físicas, sensoriais ou mentais reduzidas ou com falta de experiência e conhecimentos, a menos que sejam acompanhadas ou tenham recebido formação ou instruções sobre a utilização deste equipamento por uma pessoa responsável pela respectiva segurança.
- ◆ As crianças devem ser vigiadas, para garantir que não brincam com o aparelho.

Riscos residuais.

Pode haver riscos residuais adicionais quando utilizar a ferramenta que possa não estar incluída nos avisos de segurança incluídos. Estes riscos podem resultar de utilização indevida, utilização prolongada, etc.

Mesmo com a aplicação dos regulamentos de segurança relevantes e da implementação de dispositivos de segurança, alguns riscos residuais não podem ser evitados. Estes incluem:

- ◆ Ferimentos causados se tocar nas partes rotativas/móveis.
- ◆ Ferimentos causados quando substituir as peças, lâminas ou acessórios.
- ◆ Ferimentos causados por utilização prolongada da ferramenta. Quando utilizar uma ferramenta durante períodos prolongados, certifique-se de que faz pausas regularmente.
- ◆ Danos auditivos.
- ◆ Perigos para a saúde causados pela inalação de pó produzido quando utiliza a ferramenta (exemplo:- trabalho com madeira, em especial carvalho, faia, fibras de dimensão média.)

Vibração

Os valores de emissão de vibração declarada indicados nos dados técnicos e na declaração de conformidade foram medidos de acordo com um método de teste padrão fornecido com a norma EN60745 e pode ser utilizado para comparar ferramentas. O valor de emissão de vibração pode ser também utilizado numa avaliação precoce à exposição.

Atenção! O valor de emissão de vibração durante a utilização da ferramenta eléctrica pode ser diferente do valor declarado, dependendo da maneira como a ferramenta é utilizada. O nível de vibração pode aumentar para um valor superior ao indicado.

Quando avaliar a exposição a vibração para determinar as medidas de segurança exigidas pela norma 2002/44/CE para proteger as pessoas que utilizam ferramentas eléctricas com frequência, deve ser efectuada uma estimativa da exposição a vibração, as condições de utilização e a maneira como a ferramenta é utilizada, incluindo a consideração todas as fases do ciclo de funcionamento, por exemplo, o número de vezes que a ferramenta é desligada e quando funciona ao ralento, além do tempo de accionamento.

Etiquetas colocadas na ferramenta

Os seguintes pictogramas, assim como o código de data, estão indicados na ferramenta:



Atenção! Para reduzir o risco de ferimentos, o utilizador deve ler o manual de instruções.



Use óculos de protecção quando utilizar esta ferramenta.



Use protecção auricular quando utilizar esta ferramenta.

Segurança eléctrica



Esta ferramenta tem um isolamento duplo, por conseguinte, não é necessário um cabo à terra. Verifique sempre se a tensão da tomada de electricidade corresponde à voltagem indicada na placa com os requisitos de alimentação da ferramenta.

- ◆ Se o cabo de alimentação estiver danificado, deve ser substituído pelo fabricante ou por um Centro de assistência Stanley Fat Max autorizado para evitar quaisquer perigos.

Características

Esta ferramenta inclui algumas ou todas as seguintes características.

1. Interruptor de ligar/desligar
2. Punho lateral
3. Bloqueio do veio
4. Protecção de desgaste

Montagem

Atenção! Antes de proceder à montagem, certifique-se de que a ferramenta está desligada e que a ficha foi retirada da tomada.

Montar e retirar a protecção (fig. A)

A ferramenta é fornecida com uma protecção para fins de desbaste e corte. Certifique-se de que utiliza a protecção específica para a utilização pretendida. Se a unidade for concebida para efectuar operações de corte, deve ser instalado uma protecção (17, fig. F) específica para esta operação.

Instalação

- ◆ Coloque a ferramenta em cima de uma mesa com o veio (5) virado para cima.
- ◆ Liberte o bloqueio de fixação (7) e fixe a protecção (4) sobre a ferramenta, tal como indicado.
- ◆ Alinhe os encaixes (8) com as ranhuras (9).
- ◆ Prima a protecção para baixo e rode-a para a esquerda para a posição pretendida.
- ◆ Aperte o bloqueio de fixação (7) para fixar a protecção na ferramenta.
- ◆ Se necessário, aperte o parafuso (6) para aumentar a força de fixação.

Remoção

- ◆ Solte o bloqueio de fixação (7).
- ◆ Rode a protecção para a direita para alinhar os encaixes (8) com as ranhuras (9).
- ◆ Retire a protecção da ferramenta.

Atenção! Nunca utilize a ferramenta sem a respectiva protecção.

Montar o punho lateral

- ◆ Enrosque o punho lateral (2) num dos orifícios de montagem na ferramenta.

Atenção! Utilize sempre o punho lateral.

Instalar e retirar os discos de desbaste ou de corte (fig. B - D)

Utilize sempre o tipo correcto de disco para a sua aplicação. Utilize sempre discos com o diâmetro e tamanho do furo correctos (consulte os dados técnicos).

Instalação

- ◆ Instale a protecção, tal como descrito acima.
- ◆ Instale a flange interior (10) no veio (5) conforme indicado (fig. B). Certifique-se de que a flange está localizada correctamente em ambos os lados planos do veio.
- ◆ Instale o disco (11) no veio (5) conforme indicado (fig. B). Se o disco tiver uma parte central elevada (12), certifique-se de que esta parte fica virada para a flange interior.
- ◆ Certifique-se de que o disco fica localizado correctamente na flange interior.
- ◆ Instale a flange exterior (13) no veio. Quando instalar um disco de desbaste, a parte central elevada na flange

exterior deve ficar virada para o disco (A na fig. C). Quando instalar um disco de corte, a parte central elevada na flange exterior deve ficar virada para o disco (B na fig. C).

- ◆ Mantenha o bloqueio do veio (3) premido e aperte a flange exterior utilizando a chave de fendas de dois pinos (14) (fig. D).

Remoção

- ◆ Mantenha o bloqueio do veio (3) solto e aperte a flange exterior (13) utilizando a chave de fendas de dois pinos (14) (fig. D).
- ◆ Retire a flange exterior (13) e o disco (11).

Instalar e retirar os discos de lixagem (fig. D e E)

Para a lixagem, é necessário um disco de suporte. O disco de suporte pode ser obtido a partir de um revendedor Stanley Fat Max como acessório.

Instalação

- ◆ Instale a flange interior (10) no veio (5) conforme indicado (fig. E). Certifique-se de que a flange está localizada correctamente em ambos os lados planos do veio.
- ◆ Coloque o disco de apoio (15) sobre o veio.
- ◆ Coloque o disco abrasivo (16) no encaixe de apoio.
- ◆ Instale a flange exterior (13) no veio com a parte central elevada afastada do disco.
- ◆ Mantenha o bloqueio do veio (3) premido e aperte a flange exterior utilizando a chave de fendas de dois pinos (14) (fig. D). Certifique-se de que a flange exterior está instalada correctamente e que o disco está fixado com firmeza.

Remoção

- ◆ Mantenha o bloqueio do veio (3) solto e aperte a flange exterior (13) utilizando a chave de fendas de dois pinos (14) (fig. D).
- ◆ Retire a flange exterior (13), o disco abrasivo (16) e o encaixe de apoio (15).

Utilização

Atenção! Deixe a ferramenta funcionar ao seu próprio ritmo. Não a sobrecarregue.

- ◆ Oriente o cabo com cuidado para impedir que seja cortado acidentalmente.
- ◆ Quando o disco de desbaste ou de corte toca na peça de trabalho, é produzida uma quantidade elevada de faíscas.
- ◆ Posicione sempre a ferramenta de maneira a que a protecção forneça um funcionamento ideal a partir do disco de desbaste ou corte.

Ligar e desligar

- ◆ Para ligar, desligue o interruptor de ligar/desligar (1) para a frente e depois pressione-o. Tenha em atenção que a ferramenta continua a funcionar depois de libertar o interruptor.
- ◆ Para desligar a ferramenta, prima a parte de trás do interruptor de ligar/desligar.

Atenção! Não desligue a ferramenta em contacto com a peça de trabalho.

Funcionalidade de arranque suave

A funcionalidade de arranque suave permite o aumento progressivo da velocidade, de forma a evitar um puxão inicial da ferramenta aquando do respectivo arranque. Esta funcionalidade é particularmente útil ao trabalhar em espaços confinados.

Sem tensão

A função de corte de alimentação impede o arranque da rebarbadora sem o interruptor se houver uma falha na fonte de alimentação.

Sugestões para uma utilização ideal

- ◆ Segure a ferramenta com firmeza com uma mão à volta do punho lateral e a outra mão à volta do punho principal.
- ◆ Quando efectuar o desbaste, mantenha sempre a ferramenta a um ângulo de cerca de 15° entre o disco e a superfície da peça de trabalho.

Manutenção

A ferramenta/aparelho com/sem fio da Stanley Fat Max foi concebida para funcionar durante um longo período de tempo com uma manutenção mínima. Uma utilização continuamente satisfatória depende de uma manutenção apropriada da ferramenta e de uma limpeza regular.

Atenção! Antes de efectuar qualquer manutenção em ferramentas eléctricas com/sem fio:

- ◆ Desligue o aparelho/ferramenta e retire a ficha da tomada.
- ◆ Também pode desligar e retirar a bateria do aparelho/ferramenta se esta tiver uma bateria separada.
- ◆ Também pode utilizar por completo a carga da bateria se estiver totalmente carregada e depois desligar a ferramenta.
- ◆ Desligue o carregador antes de limpá-lo. O carregador não requer manutenção, além do processo de limpeza normal.
- ◆ Limpe com regularidade as aberturas de ventilação no aparelho/ferramenta/carregador com uma escova macia ou um pano seco.
- ◆ Limpe a caixa do motor com um pano húmido. Não utilize produtos de limpeza abrasivos ou à base de solventes.

- ◆ Abra com regularidade o mandril e bata no mesmo para retirar qualquer pó do interior (caso esteja instalado).

Proteger o meio ambiente



Faça uma recolha de lixo selectiva. Os produtos e baterias assinalados com este símbolo não devem ser eliminados com os resíduos domésticos normais.

Os produtos e baterias contêm materiais que podem ser recuperados ou reciclados, reduzindo a necessidade de matérias-primas. Recicle os produtos eléctricos e as baterias de acordo com as disposições locais.

Dados técnicos

		FME821 (Tipo 1)	FME822 (Tipo 1)
Tensão de entrada	V_{AC}	230	230
Alimentação	W	850	850
Velocidade nominal	mín.^{-1}	12.000	12.000
Diâmetro do disco	mm	115	125
Furo do disco	mm	22	22
Espessura máx. do disco			
discos de desbaste	mm	6	6
discos de corte	mm	3,5	3,5
Tamanho do veio		M14	M14
Peso	kg	2,1	2,1

L_{pA} (pressão acústica) 94,5 dB(A), incerteza (K) 3 dB(A)
L_{WA} (potência acústica) 105,5 dB(A), incerteza (K) 3 dB(A)
Valores totais de vibração (soma vectorial triaxial) em conformidade com a norma EN60745:
Esmerilagem da superfície ($a_{h,SG}$) 9,9 m/s^2 , incerteza (K) 1,5 m/s^2
Corte ($a_{h,P}$) 9,1 m/s^2 , incerteza (K) 1,5 m/s^2
Polimento ($a_{h,P}$) 5,0 m/s^2 , incerteza (K) 1,5 m/s^2
Disco de lixagem ($a_{h,DS}$) 3,3 m/s^2 , incerteza (K) 1,5 m/s^2

Declaração de conformidade da CE

DIRECTIVA "MÁQUINAS"



Rebarbadora angular FME821 / FME822

A Stanley Europe declara que os produtos descritos em "dados técnicos" se encontram em conformidade com as seguintes normas e directivas:

2006/42/CE, EN60745-1:2009 +A11:2010;

EN60745-2-3:2011 +A2:2013 +A11:2014 +A12:2014

Estes produtos estão também em conformidade com as Directivas 2004/108/CE (até 19.04.2016), 2014/30/UE (a partir de 20.04.2016) e 2011/65/UE. Para obter mais informações, contacte a Black & Decker através da morada indicada em seguida ou consulte o verso do manual.

O abaixo assinado é responsável pela compilação do ficheiro técnico e faz esta declaração em nome da Stanley Europe.

Ray Laverick
Director de Engenharia
Stanley Europe, Egide Walschaertsstraat14-18,
2800 Mechelen, Bélgica
25/08/2015

Garantia

A Stanley Fat Max está confiante na qualidade dos respectivos produtos e proporciona aos consumidores uma garantia de 12 meses* a partir da data de aquisição. Esta garantia serve de complemento e não afecta, de modo algum, os seus direitos estatutários. A garantia é válida nos Estados-membros da União Europeia e nos países-membros da Zona Europeia de Comércio Livre.

Para apresentar uma reclamação sobre a garantia, esta deve estar de acordo com os termos e condições da Stanley Fat Max e terá de enviar um comprovativo de compra ao revendedor ou a um agente de reparação autorizado.

Os termos e condições da garantia de 1 ano da Stanley Fat Max e a localização do seu agente de reparação podem ser obtidos na Internet no Web site www.2helpU.com ou contactando o escritório local da Stanley Fat Max na morada indicada neste manual.

Visite o nosso Web site www.stanleytools.co.uk para registar o seu novo produto da Stanley Fat Max e receber actualizações sobre novos produtos e ofertas especiais.

Avsedd användning

Din Stanley Fat Max vinkelslip FME821, FME822 är konstruerad för slipning och kapning av metall och murverk med hjälp av rätt slags kap- eller slipskiva. Utrustat med rätt slags skydd är detta verktyg avsett för privat, icke yrkesmässigt bruk.

Säkerhetsinstruktioner

Allmänna säkerhetsvarningar för elverktyg



Varning! Läs alla säkerhetsvarningar och instruktioner. Underlåtenhet att följa nedanstående varningarna och instruktionerna kan resultera i elektrisk stöt, eldsvåda och/eller allvarlig personskada.

Spara alla varningar och instruktioner för framtida referens

Termen "elverktyg" i varningarna syftar på ditt starkströmsdrivna (sladdanslutna) elverktyg eller batteridrivna (sladdlösa) elverktyg.

1. Säkerhet på arbetsområdet

- Håll arbetsområdet rent och ordentligt upplyst.** Belamrade eller mörka områden inbjuder till olyckor.
- Använd inte elektriska verktyg i explosiva atmosfärer, såsom i närvaron av lättantändliga vätskor, gaser eller damm.** Elektriska verktyg ge upphov till gnistor som kan antända dammet eller ångorna.
- Håll barn och åskådare borta medan du arbetar med ett elverktyg.** Distractioner kan göra att du förlorar kontrollen.

2. Elektrisk säkerhet

- Elverktygets stickkontakt måste passa i uttaget.** Modifiera aldrig kontakten på något sätt. Använd inte några adapterpluggar med jordanslutna (jordade) elektriska verktyg. Icke modifierade kontakter och matchande uttag minskar risken för elektrisk stöt.
- Undvik kroppskontakt med jordanslutna eller jordade ytor såsom rör, värmeelement, spisar och kylskåp.** Det finns en ökad risk för elektrisk stöt om din kropp är jordanslutna eller jordad.
- Utsätt inte elektriska verktyg för regn eller våta förhållanden.** Vatten som kommer in i ett elverktyg ökar risken för elektrisk stöt.
- Använd inte sladden på fel sätt. Använd aldrig sladden till att bära, dra eller koppla bort elverktyget från strömmen.** Håll sladden borta från värme, olja, vassa kanter eller rörliga delar. Skadade eller tilltrasslade sladdar ökar risken för elektrisk stöt.
- När du arbetar med ett elverktyg utomhus, använd en förlängningsladd som lämpar sig för**

utomhusanvändning. Användning av en sladd som passar för utomhusanvändning minskar risken för elektrisk stöt.

- Om arbete med ett elverktyg i fuktiga utrymmen är oundvikligt, använd ett uttag som är skyddat med jordfelsbrytare (RCD).** Användning av en RCD minskar risken för elektrisk stöt.
- Personlig säkerhet**
 - Var koncentrerad, ha koll på vad du gör och använd sunt förnuft när du arbetar med ett elverktyg. Använd inte ett elverktyg när du är trött eller påverkad av droger, alkohol eller läkemedel.** Ett ögonblicks uppmärksamhet när du arbetar med elektriska verktyg kan resultera i allvarlig personskada.
 - Använd personlig skyddsutrustning. Använd alltid skyddsglasögon.** Skyddsutrustning såsom dammskyddsmask, halksäkra säkerhetsskor, skyddshjälm eller hörselskydd som används när förhållandena kräver det minskar personskadorna.
 - Förhindra oavsiktlig start. Se till att strömbrytaren är i frånläge innan du ansluter till strömkällan och/eller batteripaketet, lyfter upp eller bär verktyget.** Att bära elektriska verktyg med fingret på strömbrytaren eller att koppla strömmen till elektriska verktyg som har strömbrytaren på är att provocera olyckor.
 - Avlägsna eventuell justeringsnyckel eller skiftnyckel innan du startar elverktyget.** En skiftnyckel eller en nyckel som sitter kvar på en roterande del av elverktyget kan resultera i personskada.
 - Sträck dig inte för långt. Ha ordentligt fotfäste och balans hela tiden.** Detta möjliggör bättre kontroll av elverktyget i oväntade situationer.
 - Klä dig på lämpligt sätt. Bär inte lösa kläder eller smycken. Håll hår, beklädnad och handskar borta från delar i rörelse.** Lösa kläder, smycken eller långt hår kan fastna i rörliga delar.
 - Om maskinerna har anordningar för dammsug och -insamling, se till att dessa är anslutna och används på ett korrekt sätt.** Användning av dammuppsamling kan minska dammrelaterade faror.
 - Användning och skötsel av elverktyg**
 - Överbelasta inte elverktyget. Använd rätt elverktyg för ditt arbete.** Rätt elverktyg gör arbetet bättre och säkrare vid den hastighet som det har konstruerats för.
 - Använd inte elverktyget om strömbrytaren inte startar och stoppar det.** Ett elverktyg som inte kan kontrolleras med strömbrytaren är farligt och måste repareras.
 - Ta ur kontakten från strömkällan och/eller batteriet från elverktyget innan du gör några justeringar, byter**

tillbehör eller lagrar elverktygen. Sådana förebyggande säkerhetsåtgärder minskar risken att oavsiktligt starta elverktyget.

- d. Förvara elektriska verktyg som inte används utom räckhåll för barn, och låt inte personer som är obekanta med elverktyget eller med dessa instruktioner använda elverktyget. Elektriska verktyg är farliga i händerna på otränade användare.
- e. Underhåll elektriska verktyg. Kontrollera för feljustering eller om rörliga delar har fastnat, bristning hos delar och andra eventuella förhållanden som kan komma att påverka elverktygets funktion. Om det är skadat, se till att elverktyget blir reparerat före användning. Många olyckor orsakas av dåligt underhållna elektriska verktyg.
- f. Håll kapningsverktyg vassa och rena. Det finns mindre risk att ordentligt skötta kapningsverktyg med vassa blad fastnar och de är lättare att kontrollera.
- g. Använd elverktyget, tillbehören och verktygssatserna, etc. i enlighet med dessa instruktioner, och ta hänsyn till arbetsförhållandena och det arbete som ska utföras. Att använda elverktyget för andra arbeten än de som det är avsett för kan resultera i en farlig situation.

5. Service

- a. Se till att ditt elverktyg servas av en kvalificerad reparatör, som endast använder identiska reservdelar. Detta säkerställer att elverktygets säkerhet upprätthålls.

Kompletterande säkerhetsvarningar för elverktyg



Varning! Kompletterande säkerhetsvarningar för slip-, sandslip-, polerings- eller kapningsarbeten.

- ◆ Detta elverktyg är avsett att fungera som slip-, sandslip-, polerings- eller kapverktyg. Läs alla säkerhetsvarningar, instruktioner, illustrationer och specifikationer som levereras med detta elverktyg. Underlätenhet att läsa alla instruktioner som listas här nedan kan resultera i elektrisk stöt, eldsvåda och/eller allvarig personskada.
- ◆ Arbeten som elverktyget inte är konstruerat för kan eventuellt ge upphov till fara och orsaka personskada.
- ◆ Använd inte tillbehör som inte är specifikt konstruerade och rekommenderade av verktygstillverkaren. Bara för att tillbehöret kan monteras på ditt elverktyg, garanterar inte detta en säker användning.
- ◆ Tillbehörets nominella hastighet måste vara åtminstone samma som den maximala hastighet som anges på elverktyget. Tillbehör som går snabbare än sin nominella hastighet kan gå sönder och splittras.
- ◆ Ytterdiametern och tjockleken på ditt tillbehör måste vara inom elverktygets nominella kapacitet. Tillbehör med fel storlek kan inte skyddas eller kontrolleras korrekt.
- ◆ Pågångade tillbehörs gänga måste vara den samma som slipens spindelgänga. För tillbehör monterade med flänsar måste spindelhålet på tillbehöret passa fixeringsdiametern på flänsen. Tillbehör med som inte matchar elverktygets monterade hårdvara kommer att gå obalanserat, vibrera för mycket och kan orsaka att man tappar kontrollen.
- ◆ Använd inte ett skadat tillbehör. Kontrollera för varje användning om delar av slipskivorna har brutits bort eller om de är spruckna, om stödrondeller är spruckna, nötta eller extremt slitna och om det finns lösa eller brutna trådar. Om elverktyg eller tillbehör tappas, inspektera för ev. skada eller installera ett oskadat tillbehör. Efter inspektion och installation av ett tillbehör, kör elverktyget med maximal hastighet utan belastning i en minut. Skadade tillbehör kommer normalt att falla sönder under denna testkörning.
- ◆ Använd personlig skyddsutrustning. Beroende på tillämpning, använd ansiktsskydd, skyddsglasögon eller säkerhetsglasögon. Efter vad som är lämpligt, bär dammskyddsmask, hörselskydd, handskar och verkstadsförkläde som klarar av att stoppa små slipande delar eller bitar av arbetsstycket. Ögonskyddet måste klara av att stoppa flygande skräp som skapas av diverse arbetsmoment. Dammskyddsmasken eller respiratorn måste kunna filtrera partiklar som uppstår vid ditt arbete. Att utsättas för högt buller under lång tid kan orsaka hörselskador.
- ◆ Håll åskådare på säkert avstånd från arbetsområdet. Alla som kommer in i arbetsområdet måste ha personlig skyddsutrustning. Småbitar av arbetsstycket eller av ett trasigt tillbehör kan flyga iväg och orsaka personskada bortom det omedelbara arbetsområdet.
- ◆ Håll elverktyget endast i de isolerade greppytorna när arbete utförs där det skärande tillbehöret kan komma i kontakt med dolda elledning eller sin egen sladd. Skärande tillbehör som kommer i kontakt med en strömförande ledning kan göra oskyddade metalldelar av elverktyget strömförande och ge användaren en stöt.
- ◆ Placera sladden så att den inte kommer i kontakt med det roterande tillbehöret. Om du tappar kontrollen kan sladden bli kapad eller fastna, och din hand eller arm kan dras in i det roterande tillbehöret.
- ◆ Lagg aldrig ifrån dig elverktyget förrän tillbehöret har stannat helt och hållet. Det roterande tillbehöret kan hugga tag i ytan och dra iväg verktyget så att du tappar kontrollen över det.
- ◆ Kör inte elverktyget medan du bär det vid sidan. Oavsiktlig kontakt med det roterande tillbehöret skulle kunna ta tag i dina kläder och dra in tillbehöret i din kropp.

- ◆ **Rengör regelbundet elverktygets lufthål.** Motorns fläkt kommer att dra in dammet i kåpan och för mycket metall-damm som samlas där kan ge upphov till elektriska risker.
- ◆ **Använd inte elverktuget i närheten lättantändliga material.** Gnistor skulle kunna antända dessa material.
- ◆ **Använd inte tillbehör som kräver flytande kylmedel.** Användning av vatten eller andra flytande kylmedel kan leda till livsfarlig elstöt eller stöt.

Notera: Ovanstående varning gäller inte för elverktyg som har konstruerats speciellt för användning med ett vätskesystem.

Rekyl och varningar i samband med det

Rekyl är en plötslig reaktion på en fastklämd eller fastkörd roterande skiva, stödronnell, borste eller något annat tillbehör. Klämning eller fastkörning orsakar snabb överstegring av det roterande tillbehöret, som i sin tur tvingar det okontrollerade elverktuget i motsatt riktning mot tillbehörets rotation på det ställe där det har fastnat.

Om till exempel en slipskiva fastnar eller kläms av arbetsstycket, kan kanten på skivan som går in i klämpunkten gräva sig in i materialets yta och göra att skivan dras eller hoppar ut. Skivan kan antingen hoppa mot eller bort från användaren, beroende på skivans rörelseriktning vid klämpunkten. Slipskivor kan dessutom brytas sönder under dessa förhållanden.

Rekyl är resultatet av felanvändning av elverktuget och/eller felaktiga arbetsprocedurer eller arbetsförhållanden, och kan undvikas genom att vidta ordentliga försiktighetsåtgärder så som beskrivs här nedan:

- ◆ **Bibehåll ett fast grepp om elverktuget, och placera din kropp och arm så att de motverkar rekylkrafter.** Använd alltid extrahandtag, om sådant medföljer, för maximal kontroll över rekyl eller vridmoment-reaktion vid starten. Användaren kan kontrollera vridmomentreaktion eller rekylkrafter, om korrekta försiktighetsåtgärder vidtas.
- ◆ **Placera aldrig din hand nära roterande tillbehör.** Tillbehöret kan rekylera över din hand.
- ◆ **Placera inte din kropp inom det område dit elverktuget kommer att förflytta sig om rekyl inträffar.** Rekylen kommer att kasta verktyget i motsatt riktning mot skivans rörelse vid klämpunkten.
- ◆ **Var speciellt försiktig när du bearbetar hörn, vassa kanter, etc. undvik att tillbehöret studsar och kör fast.** Hörn, vassa kanter eller studsande har en tendens att hugga tag i det roterande tillbehöret och orsaka kontrollförlust eller rekyl.
- ◆ **Montera inte en sågkedjeklinga för träsnideri eller en tandad sågklinga.** Sådana klingor ger ofta upphov till rekyl och förlust av kontroll.

Säkerhetsvarningar speciellt för slipnings- och kapningsarbeten:

- ◆ **Använd enbart de typer av skivor som är rekommenderade för ditt elverktyg och det skydd som är avsett speciellt för den valda skivan.** Skivor som elverktuget inte är konstruerat för kan inte skyddas ordentligt och är inte säkra.
- ◆ **Slipytan på slipskivor med intryckt centrum måste monteras under skyddsklackens nivå.** En felaktigt monterad skiva som sticker ut ovanför skyddsklackens nivå kan inte skyddas ordentligt.
- ◆ **Skyddet måste fästas säkert på elverktuget och placeras för maximal säkerhet, så att så litet som möjligt av skivan är exponerad mot användaren.** Skyddet bidrar till att skydda användaren från lösbrutna skivfragment, oavsiktlig kontakt med skivan och gnistor som kan antända kläderna.
- ◆ **Skivorna får bara användas för rekommenderade tillämpningar. Exempelvis: Slipa inte med sidan på en kapskiva.** Slipande kapskivor är avsedda för slipning med ytterkanten; om dessa skivor utsätts för sidokrafter kan de splittras.
- ◆ **Använd alltid oskadade skivflänsar som har korrekt storlek och form för din valda skiva.** Rätt skivflänsar stöder skivan och reducerar på så sätt risken att den går sönder. Flänsar för kapskivor kan vara annorlunda än flänsar för slipskivor
- ◆ **Använd inte nedslitna skivor från större elverktyg.** Skivor som är avsedda för större elverktyg lämpar sig inte för den högre hastigheten hos mindre verktyg och kan brytas sönder.

Ytterligare säkerhetsvarningar specifikt för slipande kapningsarbeten

- ◆ **Låt inte kapskivan "fastna" och tryck inte för hårt på verktyget.** Försök inte göra ett alltför djupt snitt. Att belasta skivan för mycket ökar risken och sannolikheten för att skivan ska vridas eller kärva i snittet och möjligheten för rekyl eller att skivan går sönder.
- ◆ **Placera inte din kropp i linje med eller bakom den roterande skivan.** När skivan, på arbetspunkten rör sig bort ifrån din kropp, kan en eventuell rekyl slunga den roterande skivan och elverktuget rakt mot dig.
- ◆ **När skivan kärvar fast eller när du avbryter ett snitt av någon orsak, stäng av elverktuget och håll elverktuget stilla tills skivan har stannat helt och hållet.** Försök aldrig ta ut kapskivan ur snittet medan den fortfarande snurrar eftersom det kan leda till en rekyl. Undersök varför skivan har fastnat och avlägsna orsaken till detta.
- ◆ **Starta inte kapningen på nytt i arbetsstycket. Låt skivan nå full hastighet och återgå försiktigt till kapningen.** Skivan kan fastna, vandra upp eller rekylera om verktyget startas om i arbetsstycket.

- ◆ **Stöd skivor eller stora arbetsstycken för att minimera risken att skivan fastnar och rekylar.** Stora arbetsstycken tenderar att svikta under sin egen vikt. Stöd måste placeras under arbetsstycket nära kaplinjen och nära kanten på arbetsstycket på båda sidor av skivan.
- ◆ **Var speciellt försiktig när du skär in ett "urtag" i en existerande vägg eller andra dolda områden.** Det utstickande skivan kan skära in i vattenrör, elledningar eller objekt som kan orsaka en rekyl.

Speciella säkerhetsvarningar för sandslipningsarbeten

- ◆ **Använd inte ett alltför stor sliprondell. Följ tillverkarens rekommendationer vid val av sandpapper.** Större sliprondeller som når utanför stödronddenen utgör en risk för rivsår, och kan orsaka fastkörning, sönderslitning av skivan eller rekyl.

Speciella säkerhetsvarningar för poleringsarbeten

- ◆ **Låt inte någon lös del av polertrissan eller dess fastsättningstrådar snurra fritt. Dra eller klipp bort alla lösa fastsättningstrådar.** Lösa och roterande fastsättningstrådar kan trassla in sig i dina fingrar eller fastna i arbetsstycket.

Säkerhet för andra

- ◆ Denna apparat är inte avsedd att användas av personer (inklusive barn) med reducerad fysisk, sensorisk eller mental förmåga eller med begränsad erfarenhet eller kunskap, utom i det fall att de övervakas eller har fått instruktioner om användning av apparaten av en person som är ansvarig för deras säkerhet.
- ◆ Barn bör övervakas för att säkerställa att de inte leker med apparaten.

Återstående risker.

När verktyget används kan återstående risker som inte omnämns i de vidstående säkerhetsvarningarna uppstå. Dessa risker kan uppstå på grund av felaktig användning, långvarig användning etc.

Trots att de relevanta säkerhetsbestämmelserna tillämpas och säkerhetsanordningarna används kan vissa återstående risker inte undvikas. Dessa omfattar:

- ◆ **Skador orsakade av kontakt med roterande/rörliga delar.**
- ◆ **Skador som uppstår vid byte av delar, blad eller tillbehör.**
- ◆ **Skador orsakade av för lång användning av verktyget. När du använder ett verktyg under en längre bör du ta regelbundna pauser.**
- ◆ **Hörselskador.**

- ◆ **Hälsorisker på grund av damm som inandas när verktyget används (exempelvis: träbearbetning, särskilt ek, bok, MDF.)**

Vibrationer

De deklarerade vibrationsvärdena som anges i de tekniska specifikationerna och i förklaringen om överensstämmelse har mätts i enlighet med standard testmetoden som definieras i EN60745 och kan användas för att jämföra ett verktyg med ett annat. De deklarerade vibrationsvärdena kan också användas för en preliminär bedömning av exponering.

Varning! Vibrationsvärdet under faktisk användning av elverktyget kan skilja sig från det deklarerade värdet, beroende på hur verktyget används. Vibrationsnivån kan överstiga den angivna nivån.

Vid bedömningen av vibrationsexponering för att fastställa de säkerhetsåtgärder som enligt 2002/44 / EG krävs för att skydda personer som regelbundet använder elverktyg i arbetet, bör man beakta de faktiska användningsförhållandena, hur verktyget används och förutom den tid det är aktiverat, också beakta den tid som verktyget är avstängt och går på tomgång.

Etiketter på verktyget

Följande symboler tillsammans med datumkod finns på verktyget:



Varning! För att minska risken för personskada, måste användaren läsa bruksanvisningen.



Använd säkerhetsglasögon när du använder detta verktyg.



Använd hörselskydd när du använder detta verktyg.

Elektrisk säkerhet



Detta verktyg är dubbelt isolerat; av den orsaken krävs ingen jordledning. Kontrollera alltid att spänningen på nätet motsvarar den spänning som finns angiven på märkplåten.

- ◆ Om strömsladden är skadad måste den för att undvika risker bytas ut av ett auktoriserat Stanley Fat Max servicecenter.

Egenskaper

Detta verktyg har en del av dessa eller alla dessa egenskaper.

1. Strömbrytare
2. Sidohandtag
3. Spindellås
4. Slipskydd

Montering

Varning! Se till att verktyget är avstängt och frånkopplat från elnätet före monteringen.

Montering och borttagning av skyddet (fig. A)

Verktyget är försett med ett skydd avsett för slip- och ett för kaparbeten. Säkerställ att du använder rätt skydd för det arbete du tänker utföra. Om det är meningen att kapningsarbeten ska genomföras med enheten, måste ett speciellt skydd (17, Fig F) för detta arbete monteras.

Montering

- ◆ Placera verktyget på ett bord, med spindeln (5) vänd uppåt.
- ◆ Lossa klämlåset (7) och håll skyddet (4) över verktyget så som visas.
- ◆ Passa in tapparna (8) med spåren (9).
- ◆ Tryck ner skyddet och vrid det moturs till det erforderliga läget.
- ◆ Spänn klämlåset (7) för att fästa skyddet vid verktyget.
- ◆ Om det behövs kan man spänna hårdare genom att dra åt skruven (6).

Demontering

- ◆ Lossa klämlåset (7).
- ◆ Vrid skyddet medurs för att passa in tapparna (8) med spåren (9).
- ◆ Ta bort skyddet från verktyget.

Varning! Använd aldrig verktyget utan skyddet.

Montering av sidohandtaget

- ◆ Skruva fast sidohandtaget (2) i ett av verktygets monteringshål.

Varning! Använd alltid sidohandtaget.

Montera och demontera slip- eller kapskivor (fig. B - D)

Använd alltid rätt slags skiva för ditt arbete. Använd alltid skivor med rätt diameter och hålstorlek (se de tekniska specifikationerna).

Montering

- ◆ Montera skyddet enligt ovanstående beskrivning.
- ◆ Placera den inre flänsen (10) på spindeln (5) enligt (fig. B). Säkerställ att flänsen är korrekt placerad på de platta sidorna av spindeln.
- ◆ Placera skivan (11) på spindeln (5) enligt (fig. B). Om skivan har ett upphöjt center (12), se till att det upphöjda centret är riktat mot den inre flänsen.
- ◆ Säkerställ att skivan är korrekt placerad på den inre flänsen.

- ◆ Placera den yttre flänsen (13) på spindeln. Om en slip-skiva monteras, måste det upphöjda centret på den yttre flänsen vara riktad mot skivan (A i fig. C). Om en kapskiva monteras, måste det upphöjda centret på den yttre flänsen vara riktad bort från skivan (A i fig. C).
- ◆ Håll spindellåset (3) intryckt och spänn den yttre flänsen med nyckeln med två tappar (14) (fig. D).

Demontering

- ◆ Håll spindellåset (3) intryckt och öppna den yttre flänsen (13) med nyckeln med två tappar (14) (fig. D).
- ◆ Avlägsna den yttre flänsen (13) och skivan (11).

Montera och demontera sliprondeller (fig. D & E)

För sandpappersarbeten krävs en stödrondell. Stödrondellen finns tillgänglig som tillbehör hos din Stanley Fat Max återförsäljare.

Montering

- ◆ Placera den inre flänsen (10) på spindeln (5) enligt (fig. E). Säkerställ att flänsen är korrekt placerad på de platta sidorna av spindeln.
- ◆ Placera stödrondellen (15) på spindeln.
- ◆ Placera sliprondellen (16) på stödrondellen.
- ◆ Placera den yttre flänsen (13) på spindeln med det upphöjda centret riktat bort från skivan.
- ◆ Håll spindellåset (3) intryckt och spänn den yttre flänsen med nyckeln med två tappar (14) (fig. D). Säkerställ att den yttre flänsen är korrekt placerad och att skivan är ordentligt fastspänd.

Demontering

- ◆ Håll spindellåset (3) intryckt och öppna den yttre flänsen (13) med nyckeln med två tappar (14) (fig. D).
- ◆ Avlägsna den yttre flänsen (13), sliprondellen (16) och stödrondellen (15).

Användning

Varning! Låt verktyget arbeta i sin egen takt. Överbelasta det inte.

- ◆ För kabeln försiktigt så att du inte slipar av den i misstag.
- ◆ Var beredd på ett gnistregn när slip- eller kapskivan vidrör arbetsstycket.
- ◆ Placera alltid verktyget så, att skyddet ger optimalt skydd från slip- eller kapskivan.

Slå på och stänga av

- ◆ För att slå på, skjut till/från brytaren (1) framåt samtidigt som du trycker in den. Lägg märke till att maskinen kommer att fortsätta att gå när du släpper brytaren.
- ◆ För att stänga av, tryck på bakre delen av till/från brytaren.

Varning! Stäng inte av verktyget när det är belastat.

Mjukstartsfunktion

Mjukstartsfunktionen möjliggör en acceleration från låg hastighet för att undvika ett ryck vid starten. Denna egenskap är särskilt användbar vid arbete i trånga utrymmen.

Strömavbrott

Strömavbrott-funktionen förhindrar att vinkelslipen startar om trots att omkopplaren inte har återställts efter ett avbrott i strömförsörjningen.

Råd för optimal användning

- Håll i verktyget stadigt med en hand runt sidohandtaget och den andra handen runt huvudhandtaget.
- Håll alltid skivan i en vinkel på ca. 15° till arbetsstyckets yta när du slipar.

Underhåll

Ditt Stanley Fat Max kabelanslutna/sladdlösa verktyg har konstruerats för att fungera länge med minimalt underhåll. Kontinuerlig tillfredsställande drift beror på ordentlig verktygsvård och regelbunden rengöring.

Varning! Innan några som helst serviceåtgärder genomförs på kabelanslutna/sladdlösa elverktyg:

- Stäng av och koppla bort apparaten/verktyget från eluttaget.
- Eller stäng av och avlägsna batteriet från apparaten/verktyget om den/det har ett separat batteripaket.
- Eller om batteriet är inbyggt måste du köra det helt tomt och sedan stänga av.
- Koppla bort laddaren från eluttaget innan du rengör den. Din laddare kräver ingen annan service än regelbunden rengöring.
- Rengör regelbundet din apparats/verktygs/laddares ventilationsöppningar med en mjuk borste eller en torr trasa.
- Rengör motorhöljet regelbundet med en fuktig trasa. Använd inga slipande eller lösningsmedelhaltiga rengöringsmedel.
- Öppna tegelbundet chucken (om monterad) och knacka på den för att avlägsna damm från dess insida.

Att skydda miljön



Separat insamling. Produkter och batterier som är märkta med denna symbol får inte bortskaffas med de normala hushållsoporna.

Tekniska specifikationer

		FME821 (Typ 1)	FME822 (Typ 1)
Ingångsspänning	V _{AC}	230	230
Ineffekt	W	850	850
Klassad hastighet	min ⁻¹	12 000	12 000
Skivdiameter	mm	115	125
Skivhåll	mm	22	22
Maximal skivtjocklek			
Slipskivor	mm	6	6
Kapskivor	mm	3,5	3,5
Spindelstorlek		M14	M14
Vikt	kg	2,1	2,1

L _{DA} (ljudtryck) 94,5 dB(A), osäkerhet (K) 3 dB(A)
L _{WA} (ljudeffekt) 105,5 dB(A), osäkerhet (K) 3 dB(A)
Vibration totalvärde (triaxvektor-summa) enligt EN60745:
Slipning (a _{h,SG}) 9,9 m/s ² , osäkerhet (K) 1.5 m/s ²
Kapning (a _h) 9,1 m/s ² , osäkerhet (K) 1.5 m/s ²
Polering (a _{h,P}) 5,0 m/s ² , osäkerhet (K) 1.5 m/s ²
Sliprondell (a _{h,DS}) 3,3 m/s ² , osäkerhet (K) 1.5 m/s ²

Produkterna och batterierna innehåller material som kan återvinnas eller återanvändas, vilket sänker behovet av råmaterial. Återvinn elprodukter och batterier i enlighet med lokala bestämmelser.

EG Försäkran om överensstämmelse

MASKINDIREKTIV



FME821 / FME822 vinkelslip

Stanley Europe deklarerar att dessa produkter, beskrivna under "tekniska specifikationer" uppfyller:

2006/42/EC, EN60745-1:2009 +A11:2010;
EN60745-2-3:2011 +A2:2013 +A11:2014 +A12:2014

De här produkterna överensstämmer även med direktiven 2004/108/EG (till 2016.04.19) 2014/30/EU (från 2016.04.20) och 2011/65/EU. För mer information, var god kontakta Black & Decker på följande adress, eller se handbokens baksida.

Undertecknad är ansvarig för sammanställning av den tekniska filen och gör denna förklaring på Stanley Europes vägnar.

Ray Laverick
Director of Engineering
Stanley Europe, Egide Walschaertsstraat14-18,
2800 Mechelen, Belgium
25/08/2015

Garanti

Stanley Fat Max är övertygad om sina produkters kvalitet och beviljar konsumenterna 12 månaders garanti* från och med inköpsdatumet. Denna garanti är ett tillägg till dina lagstadgade rättigheter och påverkar inte dessa på något sätt. Garantin är giltig områden som tillhör medlemsstaterna i Europeiska unionen och det europeiska frihandelsområdet.

För att göra anspråk på garantin, måste anspråket uppfylla Stanley Fat Max regler och villkor och du måste kunna förevisa säljaren eller den auktoriserade reparationsverkstaden ett inköpsbevis.

Reglerna och villkoren för Stanley Fat Max 1 åriga garanti och var din närmaste auktoriserade reparationsverkstad befinner sig kan du se på internetadressen www.2helpU.com, eller ta reda på genom att kontakta din lokala Stanley Fat Max filial på den adress som finns angiven i denna handbok.

Besök vår webbplats på www.stanleytools.co.uk för att registrera din nya Stanley Fat Max produkt och få ny information om nya produkter och specialerbjudanden.

Tiltenkt bruk

Stanley Fat Max vinkelslipere FME821 og FME822 er designet for sliping og kapping av metall og murverk ved hjelp av passende kappe- eller slipeskiver. Når de er utstyrt med passende beskyttelse, er disse verktøyene ment for både profesjonell og privat (ikke yrkesmessig) bruk.

Sikkerhetsinstruksjoner

Generelle sikkerhetsadvarsler for elektriske verktøy



Advarsel! Les alle sikkerhetsadvarsler og alle instruksjoner. Manglende overholdelse av advarslene og instruksjonene kan resultere i elektrisk sjokk, brann og/eller alvorlig skade.

Lagre alle advarsler og instruksjoner

for fremtidig bruk. Uttrykket "elektrisk verktøy" i advarslene henviser til ditt strømrevne (med ledning) elektriske verktøy eller ditt batteridrevne (uten ledning) elektriske verktøy.

1. Sikkerhet på arbeidsområdet

- Hold arbeidsområdet rent og godt opplyst.** Rotete eller mørke områder er en invitasjon til ulykker.
- Ikke bruk elektriske verktøy i eksplosive omgivelser, slik som i nærheten av antennefuge væsker, gasser eller støv.** Elektriske verktøy skaper gnister som kan antenne støv eller gasser.
- Hold barn og tilskuere borte mens du bruker elektriske verktøy.** Distraksjoner kan føre til at du mister kontrollen.

2. Elektrisk sikkerhet

- Støpselet til elektriske verktøy må passe til stikkkontakten.** Aldri modifierer støpselet på noen måte. **Ikke bruk adaptere med jordede elektriske verktøy.** Umodifiserte støpsler og stikkontakter som passer vil redusere risikoen for elektrisk støt.
- Unngå kroppskontakt med jordete overflater slik som rør, radiatorer, komfyrer og kjøleskap.** Det er økt risiko for elektrisk støt dersom kroppen din er jordet.
- Ikke eksponer elektriske verktøy for regn eller våte forhold.** Dersom det kommer vann inn i et elektrisk verktøy vil det øke risikoen for elektrisk støt.
- Ikke bruk ledningen feil.** Aldri bruk ledningen til å bære, trekke eller dra ut støpselet til det elektriske verktøyet. Hold ledningen borte fra varme, olje, skarpe kanter eller bevegelige deler. Skadede eller flokede ledninger øker risikoen for elektrisk støt.
- Når du bruker et elektrisk verktøy utendørs, bruk en skjøteledning som er egnet for utendørs bruk.** Bruk av en skjøteledning beregnet for utendørs bruk reduserer risikoen for elektrisk støt.

- Dersom bruk av et elektrisk verktøy på et fuktig sted er uunngåelig, bruk en strømkilde med jordfeilbryter (RCD).** Bruk av jordfeilbryter (RCD) reduserer risikoen for elektrisk støt.

3. Personlig sikkerhet

- Hold deg våken, hold øye med det du gjør og bruk sunn fornuft når du bruker et elektrisk verktøy.** Ikke bruk et elektrisk verktøy dersom du er trøtt eller er påvirket av medikamenter, narkotika eller alkohol. Ett øyeblikks uoppmerksomhet under bruk av elektriske verktøy kan føre til alvorlig personskade.
- Bruk personlig verneutstyr. Bruk alltid vernebriller.** Verneutstyr slik som støvmaske, skliskre vernesko, hjelm, eller hørselsvern brukt under passende forhold vil redusere personskader.
- Unngå utilsikket oppstart.** Sikre at bryteren er i avstillingen før du kobler til strømkilden og/eller batteripakken, plukker opp eller bærer verktøyet. Å bære elektriske verktøy med fingeren på bryteren eller å sette inn støpselet mens elektriske verktøy har bryteren på øker faren for ulykker.
- Fjern eventuelle justeringsnøkler før du slår på det elektriske verktøyet.** En nøkkel som er festet til en roterende del av det elektriske verktøyet kan føre til personskade.
- Ikke strekk deg for langt. Ha godt fotfeste og stå støtt hele tiden.** Dette fører til at du har bedre kontroll over det elektriske verktøyet ved uventede situasjoner.
- Bruk egnet antrekk. Ikke ha på deg løstsittende klær eller smykker.** Hold hår, antrekk og hansker borte fra bevegelige deler. Løstsittende klær, smykker og langt hår kan bli fanget opp av bevegelige deler.
- Hvis apparatet er utstyrt for tilkobling av støvutsugings- og -oppsamlingsinnretning, må du sørge for at disse er koblet til og ordentlig sikret.** Bruk av støvoppsamlere kan redusere støvrelaterte farer.

4. Bruk og vedlikehold av elektriske verktøy

- Ikke bruk kraft på verktøyet.** Bruk det elektriske verktøyet som situasjonen krever. Det riktige elektriske verktøyet vil gjøre jobben bedre og tryggere ved den hastigheten det ble konstruert for.
- Ikke bruk verktøyet hvis bryteren ikke kan slå verktøyet av eller på.** Ethvert elektrisk verktøy som ikke kan kontrolleres med bryteren er farlig og må repareres.
- Koble støpselet fra strømkilden og/eller batteripakken fra det elektriske verktøyet før du foretar noen justeringer, endrer tilbehør eller lagrer elektriske verktøy.** Slike preventive sikkerhetsforanstaltninger reduserer risikoen for å starte det elektriske verktøyet ved et uhell.

- d. Lagre elektriske verktøy som ikke er i bruk, utlignelig for barn og la ikke personer som ikke er kjent med det elektriske verktøyet eller disse instruksjonene bruke det. Elektriske verktøy er farlige i hendene på utrenede brukere.
- e. Vedlikehold elektriske verktøy. Kontroller om bevegelige deler er feiljustert eller fastskjært, om deler er ødelagt eller andre forhold som kan påvirke driften av verktøyet. Dersom det er skadet, få verktøyet reparert før neste bruk. Mange ulykker forårsakes av dårlig vedlikeholdte verktøy.
- f. Hold skjæreverktøy skarpe og rene. Godt vedlikeholdte skjæreverktøy med skarpe skjærekanter setter seg mindre sannsynlig fast og er lettere å kontrollere.
- g. Bruk verktøyet, tilbehørene og bittene, osv., i samsvar med disse instruksjonene og ta i betraktning arbeidsforholdene og det arbeidet som skal utføres. Bruk av det elektriske verktøyet for oppgaver som er forskjellige fra de som er tiltenkt kan føre til en farlig situasjon.

5. Service

- a. Få det elektriske verktøyet ditt vedlikeholdt av en kvalifisert reparatør som kun bruker originale reservedeler. Dette vil sikre at verktøyet sikkerhet blir ivaretatt.

Ekstra sikkerhetsadvarsler for elektriske verktøy



Advarsel! Ekstra sikkerhetsadvarsler for sliping, pussing, polering eller kapping

- ◆ Dette elektriske verktøyet er ment til bruk som slipemaskin, stålborste eller kutteverktøy. Les alle sikkerhetsanvisninger, instruksjoner, illustrasjoner og spesifikasjoner som følger dette elektriske verktøyet. Manglende overholdelse av instruksjonene som er listet opp under kan resultere i elektroshock, ild og/eller alvorlig skade.
- ◆ Dersom elektroverktøyet brukes til andre oppgaver enn det er tiltenkt, kan det føre til fare og forårsake personskade.
- ◆ Ikke bruk tilbehør som ikke er spesifikt konstruert og anbefalt fra produsenten av verktøyet. Selv om tilbehøret kan kobles til elektroverktøyet, sikrer ikke dette trygg drift.
- ◆ Merket hastighet på tilbehøret må være minst lik maksimal hastighet som er angitt på elektroverktøyet. Tilbehør som går fortere enn merkehastigheten sin, kan bli ødelagt og fly i stykker.
- ◆ Utvendig diameter og tykkelse på tilbehøret må være innenfor nominell kapasitet for elektroverktøyet.

Tilbehør av feil størrelse kan ikke sikres og kontrolleres tilstrekkelig.

- ◆ Gjenget feste på tilbehør må passe til slipemaskinens gjenger. For tilbehør montert på flens, må senterhullet på tilbehøret passe til diameteren på flensen. Tilbehør som ikke passer monteringsdelene på elektroverktøyet, vil rotere eksentrisk, vibrere for mye og kan føre til at du mister kontrollen.
- ◆ Ikke bruk skadet tilbehør. Før hver bruk må du inspiserer tilbehøret, som slipeskiven, for hakk og sprekker, festeplatene må inspiseres for sprekker, rifter eller slitasje, og stålborsten må inspiseres for løse eller sprukne tråder. Dersom elektroverktøyet eller tilbehøret slippes ved et uhell, må du kontrollere om det er skadet eller montere uskadet tilbehør. Etter inspeksjon og installasjon av tilbehør, kjør elektroverktøyet med maksimalt turtall uten belastning i ett minutt. Skadet tilbehør vil normalt rives i stykker under denne testen.
- ◆ Bruk personlig verneutstyr. Avhengig av bruksområdet må du bruke ansiktsvern eller vernebriller. Bruk støvmaske, hørselvern, hansker og verkstedforkle som kan stoppe små slipefragmenter eller deler fra arbeidsstykket. Øyebeskyttelsen må kunne stoppe flygende biter som kan løsne fra arbeidsstykket. Støv-masken eller åndedrettsvernet må kunne filtrere partikler som oppstår under arbeid. Langvarig eksponering for høyintensiv støy kan føre til hørselstap.
- ◆ Hold tilstedeværende på trygg avstand fra arbeidsområdet. Personer som går inn i arbeidsområdet, må bruke personlig verneutstyr. Fragmenter fra arbeidsstykket eller ødelagt tilbehør kan fly av gårde, og kan føre til skader langt ut over det umiddelbare arbeidsområdet.
- ◆ Hold det elektriske verktøyet kun i isolerte gripeoverflater når du utfører operasjoner hvor kutteutstyret kan komme i kontakt med skjulte ledninger eller egen ledning. Kutteutstyr som kommer i kontakt med en strømførende ledning, kan føre til at eksponerte metalldele på elektroverktøyet blir strømførende, og kan gi operatøren støt.
- ◆ Plasser ledningen slik at den ikke kommer i kontakt med roterende tilbehør. Hvis du mister kontrollen, kan ledningen bli kuttet av eller henge seg fast, og hånden eller armen din kan bli dratt inn i det roterende tilbehøret.
- ◆ Ikke legg elektroverktøyet fra deg før tilbehøret har stanset helt. Det roterende tilbehøret kan ta tak i overflaten og trekke elektroverktøyet ut av kontrollen din.
- ◆ Ikke la elektroverktøyet gå mens du bærer det langs siden din. Utsikket kontakt med det roterende tilbehøret kan føre til at det kjører seg fast i klærne dine og trekker tilbehøret inn i kroppen din.

- ◆ **Luftåpningene på elektroverktøyet må rengjøres regelmessig.** Motorriften vil trekke støvet inn i kabinettet, og overskytende oppsamling av forstøvet metall kan føre til elektriske farlige situasjoner.
- ◆ **Ikke bruk elektroverktøyet i nærheten av antennelige materialer.** Gnister kan antenne dette materialet.
- ◆ **Ikke bruk tilbehør som krever flytende kjølemidler.** Bruk av vann eller andre flytende kjølemidler kan føre til elektrisk støt eller sjokk.

Merk: Advarselen over gjelder ikke elektriske verktøy som er spesielt designet for bruk med væsker.

Advarsler om tilbakeslag og lignende

Tilbakeslag er en plutselig reaksjon på et fastklemt eller fastkjørt roterende skive, støttetallerken, børste eller annet tilbehør. Fastklemming eller fastkjøring forårsaker at det roterende tilbehøret stopper raskt, hvilket i sin tur forårsaker at det ukontrollerbare elektroverket slynges i motsatt retning i forhold rotasjonsretningen på tilbehøret.

For eksempel, hvis en slipeskive kjøres fast eller klemmes fast i arbeidsstykket, kan kanten av den skiven som går inn i klempunktet grave seg inn i overflaten på materialet og føre til at skiven hopper ut eller kastes ut. Skiven kan enten hoppe mot eller bort fra brukeren, avhengig av hvilken vei skiven roterte da den klemte seg fast. Slipeskiver kan også bli ødelagt under slike forhold.

Tilbakeslag er resultatet av feil bruk av verktøyet og/eller feil driftsprosedyrer eller betingelser, og kan unngås ved å treffe skikkelige forholdsregler, som angitt nedenfor.

- ◆ **Sørg for et godt grep på elektroverktøyet, og plasser kroppen og armene slik at du kan stå imot tilbakeslagskrefter. Bruk alltid hjelpehåndtaket, dersom montert, for maksimal kontroll på tilbakeslag eller momentreaksjon under oppstart.** Brukeren kan kontrollere momentreaksjonen eller tilbakeslagskreftene hvis det er tatt tilstrekkelige forholdsregler.
- ◆ **Plasser aldri hånden i nærheten av det roterende tilbehøret.** Tilbehøret kan slå tilbake over hånden.
- ◆ **Ikke plasser kroppen i det området elektroverktøyet vil bevege seg hvis det oppstår tilbakeslag.** Et tilbakeslag vil drive fram verktøyet i motsatt retning av skivens rotasjonsretning i det punktet der den kjørte seg fast.
- ◆ **Vær spesielt forsiktig ved arbeid i hjørner, ved skarpe kanter osv. Unngå at tilbehøret hopper eller kjører seg fast.** Hjørner, skarpe kanter eller hopping har en tendens til å kjøre fast det roterende tilbehøret og føre til tilbakeslag eller at du mister kontrollen.
- ◆ **Ikke bruk sagkjedeblad eller et tannet sagblad.** Slike blad fører ofte til tilbakeslag og at du mister kontrollen.

Spesifikke sikkerhetsadvarsler for sliping og kappeoperasjoner:

- ◆ **Bruk kun skivetyper som anbefales for ditt elektroverktøy og den spesifiserte verneanordningen for den valgte skiven.** Skiver som elektroverktøyet ikke ble laget for, er ikke tilstrekkelig beskyttet og er farlige.
- ◆ **Slipeflaten på hjul med senterforsenkning må monteres under planet på beskyttelseskanten.** Feilmontert hjul som går utenfor planet på beskyttelseskanten kan ikke beskyttes tilstrekkelig.
- ◆ **Beskyttelsen må festes forsvarlig til elektroverktøyet og stilles inn for maksimale sikkerhet, slik at minst mulig av skiven eksponeres mot brukeren.** Beskyttelsen verner brukeren mot fragmenter fra ødelagte skiver, utilsiktet kontakt med skiven og gnister som kan antenne tøy.
- ◆ **Skiver må kun brukes for anbefalte operasjoner. For eksempel: ikke slip med siden av kappeskiven.** Slipende kappeskiver er laget for kantsliping, dersom det brukes sidekrefter på disse skivene kan det få dem til å knuses.
- ◆ **Bruk alltid uskadede skiveflenser av korrekt størrelse og form for den valgte skiven.** Riktige skiveflenser støtter skiven og reduserer på den måten muligheten for at skiven ødelegges. Flenser for kappeskiver kan være annerledes enn flenser for slipeskiver.
- ◆ **Ikke bruk nedslitte skiver fra større elektroverktøy.** Skiver beregnet på større elektroverktøy er ikke egnet for den høyere hastigheten til et mindre verktøy og kan ødelegges.

Ytterligere sikkerhetsadvarsler spesielt for slipende kappeoperasjoner

- ◆ **Ikke stopp kappeskiven eller bruk for mye makt. Ikke forsøk å kutte for dypt.** Overbelastning av skiven øker lasten og sjansen for at skiven vrir seg eller binder skiven under kapping og muligheten for tilbakeslag eller ødeleggelse av skiven.
- ◆ **Ikke still kroppen din i banen til eller bak den roterende skiven.** Når skiven, under bruk, beveger seg bort fra kroppen din, kan et tilbakeslag sende den roterende skiven og elektroverktøyet direkte mot deg.
- ◆ **Når skiven binder seg eller ved avbrytelse av kapping av en eller annen grunn, slå av elektroverktøyet og hold det stille helt til skiven stanser fullstendig. Forsøk aldri å fjerne kappeskiven fra kuttet mens skiven beveger seg ellers kan det oppstå tilbakeslag.** Undersøk og sørg for å fjerne årsakene til fastklemming av bladet.
- ◆ **Ikke restart kappingen i arbeidsstykket. La skiven nå full hastighet og gå forsiktig tilbake i kuttet.** Skiven kan komme til å sette seg fast, bevege seg framover eller slå tilbake dersom den startes opp igjen i arbeidsstykket.

- ◆ **Støttepaneler eller overdimensjonerte arbeidsstykker minsker risiken for at skiven henger og slår tilbake.** Store arbeidsstykker har en tendens til å henge ned under sin egen vekt. Det må plasseres støtter under arbeidsstykket på begge sider av skiven, nær kuttelinjen og nær kanten av panelet.
- ◆ **Utvis ekstra forsiktighet når du foretar et "dykk-kutt" i eksisterende vegger eller andre blinde områder.** Skiven stikker ut og kan komme til å kappe gass- eller vannrør, elektriske ledninger eller gjenstander som kan føre til tilbakeslag.

Spesifikke sikkerhetsadvarsler for sliping

- ◆ **Ikke bruk for store skiver med sandpapir. Følg produsentens anbefalinger ved valg av sandpapir.** Sandpapir som er større enn pusseskiven, kan føre til opprivningsfare, og tilbakeslag eller at skiven kjører seg fast eller flenges opp.

Spesifikke sikkerhetsadvarsler for polering

- ◆ **Ikke la løse deler på poleringshetten eller tilbehørsstrenger rotere fritt. Gjem eller kutt av løse tilbehørsstrenger.** Løse og roterende tilbehørsstrenger kan snurre seg rundt fingrene dine eller kjøre seg fast i arbeidsstykket.

Sikkerhet for andre

- ◆ Dette apparatet er ikke ment for bruk av personer (inkludert barn) med redusert fysiske, sensoriske eller mentale evner, eller mangel på erfaring og kunnskap, med mindre de får tilsyn eller har blitt opplært i bruk av apparatet av en person ansvarlig for deres sikkerhet.
- ◆ Barn må holdes under oppsyn, sørg for at de ikke leker med apparatet.

Restrisikoer.

Andre risikoer kan oppstå dersom du bruker verktøyet på en måte som ikke er beskrevet i de angitte sikkerhetsadvarslene. Slik risiko kan oppstå som følge av feil bruk, for lang bruk og annet.

Til tross for at man følger relevante sikkerhetsbestemmelser og bruker sikkerhetsutstyr, er det bestemte restrisikoer som ikke kan unngås. Disse inkluderer:

- ◆ **Personskader som følge av å berøre roterende/bevegelige deler.**
- ◆ **Personskader ved skifte av komponenter, blad eller tilbehør.**
- ◆ **Personskader ved feilaktig bruk av verktøyet. Ved bruk av et verktøy i lengre perioder, pass på å ta regelmessige pauser.**
- ◆ **Hørselskader.**

- ◆ **Helsefare fra innånding av støv fra bruken av verktøyet (eksempel: arbeid med treverk, spesielt eik, bok, MDF samt kvarts i betongstøv.)**

Vibrasjon

De angitte vibrasjonsverdiene under tekniske data er målt i samsvar med en standard testmetode beskrevet i EN60745 og kan brukes for å sammenligne et verktøy med et annet. De angitte vibrasjonsverdiene kan også brukes som en foreløpig vurdering av eksponeringen.

Advarsel! De virkelige vibrasjonsverdiene under bruk av elektroverktøyet kan avvike fra de oppgitte verdiene avhengig av hvordan verktøyet brukes. Vibrasjonsnivået kan øke over det angitte nivået.

Ved vurdering av vibrasjonseksponering for bestemmelse av sikkerhetstiltak i henhold til 2002/44/EU for beskyttelse av personer som regelmessig bruker elektroverktøy i jobben, bør et estimat av vibrasjonseksponeringen ta hensyn til bruksforholdene og måten verktøyet brukes på, inkludert en vurdering av alle deler av arbeidsprosessen, så som varighet av bruk og tomgangstid i forhold til tid for virkelig bruk.

Etiketter på verktøyet

Følgende symboler og datokode er vist på verktøyet:



Advarsel! For å redusere skaderisikoen, les bruk-sansvisningen.



Bruk vernebriller ved bruk av verktøyet.



Bruk hørselsvern ved bruk av verktøyet.

Elektrisk sikkerhet



Dette verktøyet er dobbeltisolert, det er derfor ikke nødvendig med jordet stikkontakt. Kontroller alltid at strømforsyningen samsvarer med spenningen på merkeskiltet.

- ◆ Dersom strømkabelen er skadet, skal den for å unngå fare skiftes ut hos produsentene eller på et autorisert Stanley Fat Max servicesenter.

Funksjoner

Dette verktøyet har følgende egenskaper og funksjoner.

1. På-/av-bryter
2. Sidehåndtak
3. Spindellås
4. Slipebeskyttelse

Montering

Advarsel! Før montering, forsikre deg om at verktøyet er slått av og koblet fra strømmen.

Montering og fjerning av beskyttelsen (fig. A)

Verktøyet er utstyrt med en beskyttelse for bruk ved sliping og kapping. Pass på at du bruker korrekt beskyttelse for den aktuelle jobben. Dersom verktøyet skal brukes for kapping, må det settes på en beskyttelse spesielt for denne typen jobber (17, fig F).

Sette på

- ◆ Plasser verktøyet på et bord med spindelen (5) opp.
- ◆ Slipp klemlåsen (7) og hold beskyttelsen (4) over verktøyet som vist.
- ◆ Tilpass tappene (8) mot hakkene (9).
- ◆ Press ned beskyttelsen og roter den til ønsket stilling.
- ◆ Fest klemlåsen (7) for å låse beskyttelsen på verktøyet.
- ◆ Om nødvendig, stram til skruen (6) for å øke klemkraften.

Fjerning

- ◆ Løsne klemlåsen (7).
- ◆ Roter beskyttelsen med klokken for å rette inn tappene (8) mot hakkene (9).
- ◆ Ta beskyttelsen av verktøyet.

Advarsel! Bruk aldri verktøyet uten at beskyttelsen er på plass.

Montering av sidehåndtaket

- ◆ Skru sidehåndtaket (2) godt inn i ett av hullene på sidene av verktøyet.

Advarsel! Bruk alltid sidehåndtak.

Tilpassing og avmontering av en slipe- eller kappeskive (fig. B - D)

Bruk alltid korrekt skive for den aktuelle jobben. Bruk alltid skiver med korrekt diameter og hullstørrelse (se tekniske data).

Sette på

- ◆ Sett på beskyttelsen som beskrevet over.
- ◆ Sett innvendig flens (10) på spindelen (5) som vist (fig. B). Pass på at flensen er korrekt satt på den flate siden av spindelen.
- ◆ Sett skiven (11) på spindelen (5) som vist (fig. B). Dersom skiven har et opphøyd senter (12), pass på at den opphøyde siden ligger an mot den indre flensen.
- ◆ Pass på at skiven er korrekt plassert på den indre flensen.
- ◆ Sett den ytre flensen (13) på spindelen. Når du monterer en slipeskive skal den opphøyde siden på den ytre flensen ligge mot skiven (A i fig. C). Når du monterer en

kappeskive skal den opphøyde siden på den ytre flensen ligge bort fra skiven (B i fig. C).

- ◆ Hold spindellåsen (3) inntrykket og stram den ytre flensen ved hjelp av to-pinne nøkkelen (14) (fig. D).

Fjerning

- ◆ Hold spindellåsen (3) inntrykket og løsne ytre flens (13) ved hjelp av to-pinne nøkkelen (14) (fig. D).
- ◆ Ta av ytre flens (13) og skiven (11).

Sett på og ta av sandpapisriver (fig. D & E)

Det må brukes en støttetallerken ved bruk av sandpapir. Støttetallerkenen kan levers som tilbehør fra en Stanley Fat Max forhandler.

Sette på

- ◆ Legg indre flens (10) på spindelen (5) som vist (fig. E). Pass på at flensen er korrekt satt på den flate siden av spindelen.
- ◆ Plasser støttetallerkenen (15) på spindelen.
- ◆ Plasser sandpapisriveren (16) på støttetallerkenen.
- ◆ Legg den ytre flensen (13) på spindelen, med det opphøyde senteret bort fra skiven.
- ◆ Hold spindellåsen (3) inntrykket og stram den ytre flensen ved hjelp av to-pinne nøkkelen (14) (fig. D). Pass på at den ytre flensen er montert korrekt og at skiven er godt festet.

Fjerning

- ◆ Hold spindellåsen (3) inntrykket og løsne ytre flens (13) ved hjelp av to-pinne nøkkelen (14) (fig. D).
- ◆ Ta av den ytre flensen (13), sandpapisriveren (16) og støttetallerkenen (15).

Bruk

Advarsel! La verktøyet jobbe i sin egen hastighet. Ikke overbelast det.

- ◆ Styr kabelen forsiktig for ikke å kappe den av.
- ◆ Vær forberedt på en strøm av gnister når slipeskiven eller kappeskiven kommer i berøring med arbeidsstykket.
- ◆ Plasser alltid verktøyet slik at beskyttelsen gir optimal beskyttelse mot slipeskiven eller kappeskiven.

Slå på og av

- ◆ For å slå på, skyv på/av bryteren (1) forover og trykk på den. Merk at verktøyet vil fortsette å gå når du slipper bryteren.
- ◆ For å slå av, trykk på bakre del av på/av bryteren.

Advarsel! Ikke slå verktøyet på eller av under belastning.

Myk oppstart

Myk oppstart gir en sakte oppbygging av hastighet for å unngå et plutselig kast ved oppstart. Denne egenskapen er spesielt nyttig ved arbeid i trange rom.

Spenningsløs (No-Volt)

“No-volt” (spenningsløs) funksjonen hindrer vinkelsliperen fra å starte igjen uten først å bruke bryteren dersom det var brudd i strømforsyningen.

Tips for beste bruk

- ◆ Hold verktøyet godt fast med en hånd på sidehåndtaket og den andre hånden på hovedhåndtaket.
- ◆ Ved sliping, hold alltid en vinkel på omtrent 15° mellom skiven og arbeidsstykket.

Vedlikehold

Ditt Stanley Fat Max elektriske verktøy (med eller uten strømkabel) er designet for å virke over en lang tidsperiode med et minimum av vedlikehold. For at den skal fungere tilfredsstillende over tid, er det viktig å sørge for riktig stell av verktøyet og regelmessig renhold.

Advarsel! Før du foretar noe vedlikehold på elektriske verktøy med eller uten strømkabel:

- ◆ Slå det av og trekk ut støpselet.
- ◆ Eller slå det av og ta batteriet ut av verktøyet dersom det har en avtagbar batteripakke.
- ◆ Eller bruk opp batteriet helt dersom det er integrert, og deretter slå av.
- ◆ Koble fra laderen før du rengjør den. Laderen krever intet annet vedlikehold enn regelmessig rengjøring.
- ◆ Rengjør regelmessig ventilasjonsåpningene på apparatet/verktøyet ved hjelp av en myk børste eller en tørr klut.
- ◆ Rengjør regelmessig motorhuset ved hjelp av en fuktig klut. Ikke bruk skurende eller løsemiddelbaserte rengjøringsmidler.
- ◆ Regelmessig åpne chucken og bank på den for å fjerne støv fra innsiden (dersom montert).

Beskyttelse av miljøet



Separat avfallshåndtering. Produkter og batterier merket med dette symbolet skal ikke kastes sammen med vanlig husholdningsavfall.

Produkter og batterier inneholder stoffer som kan gjenbrukes eller ombrukes for å redusere behovet for nye råmaterialer.

Vennligst lever elektrisk utstyr og batterier for gjenbruk i henhold til lokale regler.

Tekniske data

		FME821 (Type 1)	FME822 (Type 1)
Inngangsspenning	V_{AC}	230	230
Inngangseffekt	W	850	850
Merkehastighet	o/min	12 000	12 000
Skivediameter	mm	115	125
Skivehull	mm	22	22
Maks. skivetykkelse			
Slipeskiver	mm	6	6
Kappeskiver	mm	3,5	3,5
Spindelstørrelse		M14	M14
Vekt	kg	2,1	2,1

L_{pA} (lydtrykk) 94,5 dB(A), usikkerhet (K) 3 dB(A)
L_{WA} (lydeffekt) 105,5 dB(A), usikkerhet (K) 3 dB(A)
Totalverdier vibrasjon (triax vector sum) bestemt iht. EN60745:
Overflatesliping ($a_{h,SG}$) 9,9 m/s ² , usikkerhet (K) 1,5 m/s ²
Kapping (a_{hp}) 9,1 m/s ² , usikkerhet (K) 1,5 m/s ²
Polering (a_{hp}) 5,0 m/s ² , usikkerhet (K) 1,5 m/s ²
Sandpapirpussing ($a_{h,DS}$) 3,3 m/s ² , usikkerhet (K) 1,5 m/s ²

EU-samsvarserklæring

MASKINERIDIREKTIV



FME821 / FME822 vinkelsliper

Stanley Europe erklærer at de produktene som er beskrevet under "tekniske data" er i samsvar med:

2006/42/EC, EN60745-1:2009 +A11:2010;

EN60745-2-3:2011 +A2:2013 +A11:2014 +A12:2014

Disse produktene er også i samsvar med direktiv 2004/108/EU (til 19.04.2016), 2014/30/EU (fra 20.04.2016) og 2011/65/EU. For mer informasjon, vennligst kontakt Black & Decker på følgende adresser eller se baksiden av håndboken.

Undertegnede er ansvarlig for sammenstillingen av den tekniske filen og fremsetter denne erklæringen på vegne av Stanley Europe.

Ray Laverick
Director of Engineering
Stanley Europe, Egide Walschaertsstraat14-18,
2800 Tessengerlo, Belgia
25/08/2015

Garanti

Stanley Fat Max er sikre på kvaliteten av sine produkter, og gir forbrukere 12 måneder garanti* fra kjøpsdato. Denne garantien er et tillegg og endrer ikke dine rettigheter i henhold til loven. Garantien er gyldig innen områdene tilhørende medlemslandene i den Europeiske Union (EU) og det Europeiske Frihandelsområdet (EFTA).

For å fremme garantikrav, må kravet være i henhold til Stanley Fat Max kjøpsbetingelser og du må vedlegg kjøpskvittering for selgeren eller et autorisert servicesenter.

Stanley Fat Max betingelser for 1 års garanti samt adressen til det nærmeste autoriserte servicesenteret kan du finne på internett under www.2helpU.com, eller ved å kontakte ditt lokale Stanley Fat Max kontor som angitt i denne bruksanvisningen.

Vennligst se vår nettside www.stanleytools.co.uk for å registrere ditt Stanley Fat Max produkt og få oppdateringer om nye produkter og spesialtilbud.

Tilsigtet brug

Din Stanley Fat Max vinkelsliber FME821, FME822 er designet til slibning og skæring i metal og murværk ved hjælp af passende type skære- eller slibeskive. Når den er udstyret med en passende beskyttelsesskærm, er dette værktøj beregnet til professionelle og private, ikke professionelle brugere.

Sikkerhedsinstruktioner

Generelle sikkerhedsadvarsler for elektrisk værktøj



Advarsel! Læs alle sikkerhedsadvarsler og alle instruktioner. Manglende overholdelse af de advarsler og instruktioner, der er anført nedenfor, kan medføre elektrisk stød, brand og/eller alvorlig personskade.

Gem alle advarsler og instruktioner for fremtidig reference. Termen "elværktøj" i advarselne refererer til dit elektriske (ledning) eller batteribetjente (trådløse) elværktøj.

1 Sikkerhed i arbejdsområdet

- Sørg for, at arbejdsområdet er rent og godt oplyst.** Rodede eller mørke områder giver anledning til ulykker.
- Undlad at benytte elektrisk værktøj i en eksplosionsfarlig atmosfære, som f.eks. ved tilstedeværelsen af brændbare væsker, gasser eller støv.** Elværktøj danner gnister, der kan antænde støv eller dampe.
- Hold børn og omkringstående på afstand, når der anvendes elektrisk værktøj.** Distractioner kan medføre, at du mister kontrollen.

2 El-sikkerhed

- Stik på elektrisk værktøj skal passe til stikkontakten. Stikket må aldrig modificeres på nogen måde. Undlad at bruge adapterstik sammen med jordforbundet elektrisk værktøj.** Umodificerede stik og dertil passende stikkontakter reducerer risikoen for elektrisk stød.
- Undgå kropskontakt med jordforbundne overflader, såsom rør, radiatorer, komfurer og køleskabe.** Der er øget risiko for elektrisk stød, hvis din krop er jordforbundet.
- Undlad at udsætte elektrisk værktøj for regn eller våde forhold.** Hvis der trænger vand ind i et elektrisk værktøj, øges risikoen for elektrisk stød.
- Undlad at udsætte ledningen for overlast. Brug aldrig ledningen til at bære, trække værktøjet eller trække det ud af stikkontakten. Hold ledningen borte fra varme, olie, skarpe kanter og bevægelige dele.**

Beskadigede eller sammenflettede ledninger øger risikoen for elektrisk stød.

- Når elektrisk værktøj benyttes udendørs, skal der anvendes en forlængerledning, som er egnet til udendørs brug.** Brug af en ledning, der er egnet til udendørs brug, reducerer risikoen for elektrisk stød.
- Hvis det ikke kan undgås at betjene et elektrisk værktøj i et fugtigt område, benyt en strømforsyning, der er beskyttet af en fejlstrømsafbryder.** Ved at benytte en fejlstrømsafbryder reduceres risikoen for elektrisk stød.

3 Personlig sikkerhed

- Vær opmærksom, pas på hvad du foretager dig, og brug sund fornuft, når du benytter et elektrisk værktøj. Betjen ikke værktøjet, hvis du er træt, påvirket af narkotika, alkohol eller medicin.** Et øjebliklig uopmærksomhed under anvendelse af et elektrisk værktøj kan forårsage alvorlig personskade.
 - Brug personligt sikkerhedsudstyr. Bær altid beskyttelsesbriller.** Sikkerhedsudstyr, såsom støvmaske, skridsikre sikkerhedssko, sikkerhedshjelm eller høreværn, brugt når omstændighederne foreskriver det, reducerer omfanget af personskader.
 - Undgå utilsigtet start. Sørg for, at der er slukket for kontakten, inden værktøjet tilsluttes en strømkilde og/eller batterienhed, samles op eller bæres.** Når elektrisk værktøj bæres med fingeren på kontakten eller tilsluttes, når kontakten er tændt, giver det anledning til ulykker.
 - Fjern eventuelle justerings- eller skruenøgler, før det elektriske værktøj startes.** En skruenøgle eller anden nøgle, der bliver siddende på en roterende del af elektrisk værktøj, kan give anledning til personskade.
 - Undlad at række for langt. Hold hele tiden en god fodstilling og balance.** Dette giver bedre kontrol af det elektriske værktøj, når uventede situationer opstår.
 - Bær hensigtsmæssig påklædning. Bær ikke løst tøj eller smykker. Hold dit hår, tøj og handsker væk fra bevægelige dele.** Løstsiddende tøj, smykker eller langt hår kan blive fanget i bevægelige dele.
 - Hvis der anvendes støvudsugningseller støvopsamlingsudstyr, skal dette tilsluttes og anvendes rigtigt.** Anvendelse af støvopsamlingsudstyr kan begrænse farer forårsaget af støv.
- #### 4 Brug og pleje af elektrisk værktøj
- Undlad at bruge magt over for det elektriske værktøj. Brug det værktøj, der er bedst egnet til det arbejde, der skal udføres.** Værktøjet vil klare opgaven bedre og mere sikkert med den ydelse, som det er beregnet til.
 - Undlad at benytte elektrisk værktøj, hvis kontakten ikke tænder og slukker for det.** Alt elektrisk værktøj, der

ikke kan kontrolleres med kontakten, er farligt og skal repareres.

- c. **Træk stikket ud af stikkontakten og/eller batterienheden fra det elektriske værktøj, før det elektriske værktøj justeres, dets tilbehør udskiftes, eller det stilles til opbevaring.** Sådanne forebyggende sikkerhedsforanstaltninger mindsker risikoen for, at værktøjet startes utilsigtet.
- d. **Opbevar elektrisk værktøj uden for rækkevidde af børn, og tillad ikke personer, som ikke er bekendt med dette elektriske værktøj eller disse instruktioner, at betjene værktøjet.** El-værktøj er farligt i hænderne på personer, som ikke er instrueret i brugen deraf.
- e. **Vedligeholdelse af elektriske værktøjer.** **Undersøg om bevægelige dele sidder skævt, binder eller er gået itu såvel som andre forhold, der kan påvirke betjeningen af elektriske værktøjer.** Hvis det elektriske værktøj er beskadiget, skal det repareres før brug. Mange ulykker er forårsaget af dårligt vedligeholdt værktøj.
- f. **Hold skæreværktøjer skarpe og rene.** Ordentligt vedligeholdt skæreværktøj med skarpe skærekanten har mindre tilbøjelighed til at binde og er lettere at styre.
- g. **Brug elektrisk værktøj, tilbehør, bor, osv. i overensstemmelse med disse instruktioner, idet der tages hensyn til arbejdsforholdene og den opgave, som skal udføres.** Brug af elektrisk værktøj til andre opgaver end dem, det er beregnet til, kan resultere i en farlig situation.

5 Service

- a. **Elektrisk værktøj skal serviceres af en kvalificeret servicetekniker, som udelukkende benytter identiske reservedele.** Derved sikres det, at værktøjets driftssikkerhed opretholdes.

Ekstra sikkerhedsadvarsler for elektrisk værktøj



Advarsel! Ekstra sikkerhedsadvarsler for slibning, polering eller slibeskæring

- ◆ Dette elektriske værktøj er beregnet til at fungere som en slibemaskine, pudsemaskine eller afstikkerværktøj. Læs alle sikkerhedsadvarsler, instruktioner, illustrationer og specifikationer, der følger med dette elværktøj. Manglende overholdelse af alle nedenstående instruktioner kan medføre elektrisk stød, brand og/eller alvorlig personskade.
- ◆ Anden brug end den, elværktøjet er fremstillet til, kan udgøre en fare og forårsage personskade.
- ◆ Anvend ikke tilbehør, der ikke er specielt designet til værktøjet og anbefalet af producenten. Blot fordi tilbehøret kan påsættes værktøjet, garanterer det ikke sikker betjening.
- ◆ **Tilbehørets nominelle hastighed skal mindst svare til den maksimale hastighed, der er markeret på elværktøjet.** Tilbehør, der kører hurtigere end dets nominelle hastighed, kan gå itu og flyve væk.
- ◆ **Tilbehørets udvendige diameter og tykkelse skal være inden for elværktøjets kapacitetsvurdering.** Tilbehør af ukorrekt størrelse kan ikke opbevares eller kontrolleres korrekt.
- ◆ **Gevindmontering af tilbehør skal matche med slibemaskinens spindelgevind.** For tilbehør monteret med flanger skal dornhullet på tilbehøret passe til flangens placeringsdiameter. Tilbehør, der ikke matcher med el-værktøjets monterede hardware, vil køre ud af balance, vibrere for meget og kan medføre tab af kontrol.
- ◆ **Brug ikke et beskadiget tilbehør.** Før brug af tilbehør undersøges f.eks. slibehjul for skår og revner, støttepuder for revner eller slid, for løse eller revnede ledninger. Hvis elværktøjet eller tilbehøret tabes, bør det undersøges for skade, eller der bør monteres ubeskadiget tilbehør. Efter inspektion og installation af tilbehør og kørsel med maskinen ved maksimal hastighed uden belastning i et minut. Beskadiget tilbehør vil normalt gå i stykker under denne testkørsel.
- ◆ **Bær personligt beskyttelsesudstyr.** Afhængig af brugen bør du anvende ansigtsskærm eller beskyttelsesbriller. Hvis det er nødvendigt, skal du anvende støvmaske, hørebeskyttelse, handsker og et arbejdsforklæde, der kan modstå småt slibemateriale eller arbejdsemnefragmenter. Øjenbeskyttelsen skal kunne stoppe flyvende fremmedlegemer, der opstår som følge af de forskellige betjening. Støvmasken eller åndedrætsværnet skal kunne filtrere partikler, der frembringes som følge af dit arbejde. Forlænget eksponering for høj, intens støj kan forårsage høreskader.
- ◆ **Sørg for, at tilskuere står i en sikker afstand fra arbejdsområdet.** Folk, der befinder sig i arbejdsområdet, skal anvende personligt beskyttelsesudstyr. Fragmenter af arbejdsemnet eller ødelagt tilbehør kan flyve afsted og forårsage skade uden for det umiddelbare arbejdsområde.
- ◆ **Hold fast i elværktøjet ved hjælp af de isolerede håndtagsflader, når der skal saves i emner, hvor skæreværktøjet kan berøre skjulte ledninger eller sit eget kabel.** Kommer skæreværktøjet i kontakt med en strømførende ledning, kan blotlagte metaldele på elværktøjet gøres strømførende og give stød til brugeren.
- ◆ **Anbring ledningen på afstand af roterende tilbehør.** Hvis du mister kontrollen, kan ledningen blive skåret eller fastklemt, og din hånd eller arm kan trækkes ind i det roterende tilbehør.
- ◆ **Læg aldrig værktøjet fra dig, før tilbehøret er helt stoppet.** Det roterende tilbehør kan gribe fast i overfladen, og du kan miste kontrollen over elværktøjet.

- ◆ **Start ikke elværktøjet, mens du bærer det.** Utilsigtet kontakt med det roterende tilbehør kan hænge fast i dit tøj og efterfølgende ind i huden.
- ◆ **Rengør værktøjets lufthuller med jævne mellemrum.** Motorens ventilator vil trække støv ind i kabinettet, og for megen akkumulering af metalstykker kan udgøre en elektrisk fare.
- ◆ **Betjen ikke elværktøjet nær brændbare materialer.** Gnister kan antænde disse materialer.
- ◆ **Anvend ikke tilbehør, der kræver kølevæsker.** Brug af vand eller anden kølevæske kan resultere i livsfarligt elektrisk stød.

Bemærk: Ovenstående advarsel gælder ikke for el-værktøj, der specifikt er designet til brug sammen med et flydende system.

Tilbageslag og relaterede advarsler

Tilbageslag er en pludselig reaktion på et fastklemt eller blokeret slibehjul, støttepude, børste eller andet tilbehør. Klemning eller blokering forårsager hurtig blokering af det roterende tilbehør, der gør, at det ukontrollerede elværktøj kører i modsat retning af tilbehørets rotation på det sted, det er fastkørt.

F.eks. hvis et slibehjul er fastklemt eller blokeret af arbejdsområdet, kan kanten af hjulet, der er på vej ind i det spidse punkt, grave sig ind i overfladen på materialet og forårsage, at hjulet arbejder sig ud eller falder ud. Hjulet kan enten gå imod eller væk fra operatøren, afhængigt af hjulets bevægelsesretning ved fastklemningspunktet.

Slibehjul kan også gå i stykker under disse forhold.

Et tilbageslag opstår som følge af forkert brug eller ved misbrug af elværktøjet. Det kan undgås ved at følge nedenstående forholdsregler.

- ◆ **Hold godt fast på elværktøjet og placer kroppen og armen således, at du kan modstå styrken fra et tilbageslag.** Anvend altid ekstrahåndtaget, hvis det medfølger, for maksimal kontrol over tilbageslag eller momentreaktion under opstart. Operatøren kan kontrollere momentreaktioner eller tilbageslagets styrke, hvis der tages korrekte forholdsregler.
- ◆ **Placer aldrig hånden i nærheden af det roterende tilbehør.** Tilbehøret kan slå tilbage over din hånd.
- ◆ **Placer ikke kroppen i det område, hvor værktøjet kan bevæge sig, hvis der opstår et tilbageslag.** Tilbageslag vil drive værktøjet frem i den modsatte retning af hjulets bevægelse ved blokeringspunktet.
- ◆ **Vær ekstra omhyggelig når du arbejder med hjørner, skarpe kanter osv. Undgå at bumpe eller blokere tilbehøret.** Hjørner, skarpe kanter eller bump har en tendens til at blokere det roterende tilbehør og kan forårsage mangel på kontrol eller tilbageslag.

- ◆ **Påsæt ikke en savkædes snitteblad eller en savklinge med tænder.** Sådanne klinger forårsager ofte tilbageslag og mangel på kontrol.

Sikkerhedsadvarsler, der er specifikke for slibnings- og afskæringsfunktioner:

- ◆ **Brug kun hjul typer, der er anbefalet til dit elværktøj og den specifikke beskyttelsesskærm, der er fremstillet til det valgte hjul.** Hjul, der ikke er fremstillet til værktøjet, kan ikke afskærmes korrekt og er usikre.
- ◆ **Slibeoverfladen på de midterste nedtrykkede hjul skal være monteret under fladen på kanten af beskyttelsesskærmen.** Et hjul, der ikke er monteret korrekt, og som projekteres gennem fladen på kanten af beskyttelsesskærmen, kan ikke beskyttes tilstrækkeligt.
- ◆ **Beskyttelsesskærmen skal være sikkert fastgjort til elværktøjet for maksimal sikkerhed, således at mindst muligt af hjulet er blottet mod operatøren.** Beskyttelsesskærmen hjælper med til at beskytte operatøren mod hjulfragmenter og utilsigtet kontakt med hjulet og gnister, som kan antænde tøjet.
- ◆ **Hjulene må kun anvendes til den anbefalede brug. Eksempelvis: slib ikke med siden af afskæringshjulet.** Slibeskæringshjul er tilsigtet perifer slibning. Sidekraft på disse hjul kan ødelægge dem.
- ◆ **Brug altid ubeskadigede hjulflanger med den rette størrelse og form til dit valgte hjul.** Korrekte hjulflanger støtter hjulet og reducerer dermed muligheden for hjulskade. Flanger til skærehjul kan være forskellige fra slibehjulflanger.
- ◆ **Brug ikke brugte, slidte hjul fra større elværktøjer.** Hjul, der er tilsigtet større elværktøjer, er ikke egnet til det lille værktøjs høje hastighed og kan gå i stykker.

Ekstra sikkerhedsadvarsler, der er specifikke for afskæringsfunktioner

- ◆ **“Blokér” ikke skærehjulet eller anvend for megen kraft. Forsøg ikke at foretage et for dybt snit.** Overbelastning af hjulet øger belastningen og følsomheden for drejning eller binding af hjulet i snittet og muligheden for tilbageslag eller hjulskade.
- ◆ **Placer ikke din krop på linje med og bag ved det roterende hjul.** Når hjulet bevæger sig væk fra kroppen, kan det mulige tilbageslag drive hjulet og elværktøjet direkte mod dig.
- ◆ **Når hjulet binder, eller når et snit afbrydes af en eller anden årsag, slukkes elværktøjet og hold elværktøjet helt stille, indtil hjulet stopper helt.** Forsøg aldrig at fjerne hjulet fra snittet, mens hjulet er i bevægelse, da der ellers kan forekomme et tilbageslag. Find ud af, hvorfor hjulet har sat sig fast, og træf passende forholdsregler, så det ikke kan ske igen.

- ◆ **Forsøg ikke at genstarte skæringen i arbejdsemnet.** Lad hjulet nå fuld hastighed og sæt det derefter forsigtigt ind i snittet. Hjulet kan eventuelt binde, arbejde sig ud af arbejdsemnet eller forårsage tilbageslag, hvis elværktøjet startes i arbejdsemnet.
- ◆ **Støttepaneler eller andet arbejdsemne af overdreven størrelse for at minimere risikoen for klemning af hjulet og tilbageslag.** Store arbejdsemner har en tendens til at synke under deres egenvægt. Arbejdsemnet skal afstøttes på begge sider af hjulet, både i nærheden af skærelinjen og ved arbejdsemnets kant.
- ◆ **Vær især forsigtig, hvis der skal udføres et "lommesnit" i et uoverskueligt område, f.eks. i en eksisterende væg.** Hjulet, der skal dykke ned, kan skære gas- eller vandrør, elektriske ledninger eller genstande, der kan forårsage tilbageslag.

Sikkerhedsadvarsler, der er specifikke for slibning

- ◆ **Anvend ikke slibeskivepapir af overdreven størrelse.** Følg producentens anbefalinger angående valg af slibepapir. Slibepapir, der går ud over slibepuden, udgør en fare for flænsning og kan forårsage blokering eller flænsning af disken eller tilbageslag.

Sikkerhedsadvarsler, der er specifikke for pudsning

- ◆ **Lad ikke nogen løs del af pudseskiven eller dens tilbehør rotere frit. Gem eventuelle løse snører af vejen eller skær dem af.** Løst, roterende tilbehør kan vikles ind i dine fingre eller sætte sig fast på arbejdsemnet.

Andres sikkerhed

- ◆ Dette udstyr er ikke beregnet til anvendelse af personer (inklusive børn) med nedsatte fysiske, sensoriske eller mentale handicaps eller med mangel på erfaringer eller viden, medmindre de er under overvågning eller har fået instruktioner i brugen af udstyret af en person, der er ansvarlig for deres sikkerhed.
- ◆ Børn skal overvåges for at sikre, at de ikke leger med udstyret.

Restrisici.

Yderligere restrisici kan opstå, når du bruger værktøjet på en måde, som måske ikke er indeholdt i de vedlagte sikkerhedsadvarsler. Disse risici kan opstå som følge af forkert brug, langvarigt brug osv.

På trods af overholdelsen af de relevante sikkerhedsregler og brug af sikkerhedsudstyr kan visse restrisici ikke undgås.

Disse omfatter:

- ◆ **Skader som følge af berøring af roterende bevægelige dele.**
- ◆ **Skader forårsaget ved ændring af nogen dele, klinger eller tilbehør.**

- ◆ **Skader forårsaget af langvarig brug af et værktøj.** Når du bruger et værktøj i længere perioder, skal du sørge for at holde regelmæssige pauser.
- ◆ **Hørensættelse.**
- ◆ **Helbredsmæssige skader på grund af indånding af støv under brug af dit værktøj (f.eks.: under arbejde træ, specielt eg, bøg og MDF.)**

Vibration

De deklarerede vibrationsemissionsværdier angivet i de tekniske data og i overensstemmelseserklæringen er målt i overensstemmelse med en standard testmetode som angivet i EN60745, og de kan anvendes til at sammenligne et værktøj med et andet. Den deklarerede vibrationsemissionsværdi kan også anvendes i en foreløbig vurdering af eksponeringen.

Advarsel! Vibrationsemissionsværdien kan under faktisk brug af elværktøjet afvige fra den angivne værdi afhængigt af de måder, hvorpå værktøjet anvendes. Vibrationsniveauet kan stige til over det angivne niveau.

Ved vurdering af vibrationseksponeringen til at fastlægge de sikkerhedsforanstaltninger, der kræves af 2002/44/EC for at beskytte personer der regelmæssigt benytter elværktøj på arbejde, bør en vurdering af vibrationseksponeringen overvejes, de faktiske anvendelsesbetingelser og den måde, hvorpå værktøjet anvendes, herunder under hensyntagen til alle dele af driftscyklussen som f.eks. de tidspunkter, hvor værktøjet er slukket, og når det kører i tomgang, udover udløsningstiden.

Mærkatet på værktøjet

De følgende piktogrammer såvel som datokoden vises på værktøjet:



Advarsel! For at reducere risikoen for personskade bør du læse betjeningsvejledningen.



Bær sikkerheds- eller beskyttelsesbriller, når du arbejder med dette værktøj.



Bær høreværn, når du arbejder med dette værktøj.

El-sikkerhed



Dette værktøj er dobbeltisoleret, derfor er en jordledning ikke påkrævet. Kontrollér altid, at strømforsyningen svarer til spændingen på mærkepladen.

- ◆ Hvis forsyningsledningen er beskadiget, skal den udskiftes af producenten eller et autoriseret Stanley Fat Max servicecenter for at forebygge enhver risiko.

Funktioner

Dette værktøj indeholder nogle eller alle funktioner.

- 1 Tænd/sluk-kontakt
- 2 Sidehåndtag
- 3 Spindellås
- 4 Slibningsafskærmning

Samling

Advarsel! Før samling kontroller at værktøjet er slået fra, og stikket er trukket ud.

Montering og fjernelse af beskyttelsesskærmen (fig. A)

Værktøjet er forsynet med en beskyttelsesskærm beregnet til slibnings- og skæringsformål. Sørg for at du bruger den korrekte beskyttelsesskærm beregnet til den tiltænkte opgave. Hvis enheden skal udføre afskæringsopgaver, skal der monteres en special beskyttelsesskærm (17, fig F) til denne opgave.

Montering

- ◆ Anbring værktøjet på et bord med spindlen (5) opad.
- ◆ Udløs fastspændingslås (7) og hold beskyttelsesskærmen (4) over værktøjet som vist.
- ◆ Ret øsknerne (8) ind efter hakkene (9).
- ◆ Tryk beskyttelsesskærmen ned og drej den mod uret til den ønskede position.
- ◆ Fastgør klemmelåsen (7) for at fastgøre beskyttelsesskærmen til værktøjet.
- ◆ Stram om nødvendigt skruen (6) for at øge klemmens styrke.

Fjernelse

- ◆ Udløs klemmelåsen (7).
- ◆ Drej beskyttelsesskærmen med uret for at rette øsknerne (8) ind efter kærvene (9).
- ◆ Fjern beskyttelsesskærmen fra værktøjet.

Advarsel! Anvend aldrig værktøjet uden beskyttelsesskærm.

Montering af sidehåndtag

- ◆ Skru sidehåndtaget (2) ind i et af monteringshullerne i værktøjet.

Advarsel! Anvend altid sidehåndtag.

Montering og aftagning af slibe- eller skæreskiver (fig. B - D)

Brug altid den korrekte skivetype til din opgave. Brug altid skiver med den korrekte diameter og borestørrelse (se tekniske data).

Montering

- ◆ Montér beskyttelsesskærmen som beskrevet ovenfor.

- ◆ Sæt den indvendige flange (10) på spindlen (5) som vist (fig. B). Kontrollér at flangen er placeret korrekt på den flade side af spindlen.
- ◆ Sæt skiven (11) på spindlen (5) som vist (fig. B). Hvis skiven er hævet midt på (12), skal du sørge for, at det hævede punkt vender mod den indvendige flange.
- ◆ Sørg for at skiven placeres korrekt på den indvendige flange.
- ◆ Anbring den udvendige flange (13) på spindlen. Ved montering af slibeskiven, skal det hævede midtpunkt på den udvendige flange vende imod skiven (A i fig. C). Ved montering af skæreskiven, skal det hævede midtpunkt på den udvendige flange vende væk fra skiven (B i fig. C).
- ◆ Hold spindellåsen (3) trykket ned og spænd den udvendige flange ved hjælp af den toplede skruenøgle (14) (fig. D).

Fjernelse

- ◆ Hold spindellåsen (3) trykket ned og løs den udvendige flange (13) ved hjælp af den toplede skruenøgle (14) (fig. D).
- ◆ Fjern den udvendige flange (13) og skiven (11).

Montering og fjernelse af slibeskiver (fig. D & E)

Til slibning kræves et bagbeklædningsunderlag. Bagbeklædningsunderlaget kan købes hos din Stanley Fat Max forhandler som tilbehør.

Montering

- ◆ Sæt den indvendige flange (10) på spindlen (5) som vist (fig. E). Kontrollér at flangen er placeret korrekt på den flade side af spindlen.
- ◆ Anbring bagbeklædningsunderlaget (15) på spindlen.
- ◆ Anbring slibeskiven (16) på bagbeklædningsunderlaget.
- ◆ Anbring den udvendige flange (13) på spindlen med det hævede midtpunkt vendt væk fra skiven.
- ◆ Hold spindellåsen (3) trykket ned og spænd den udvendige flange ved hjælp af den toplede skruenøgle (14) (fig. D). Kontrollér at den udvendige flange er monteret korrekt, og at skiven er klemt godt sammen.

Fjernelse

- ◆ Hold spindellåsen (3) trykket ned og løs den udvendige flange (13) ved hjælp af den toplede skruenøgle (14) (fig. D).
- ◆ Fjern den udvendige flange (13), slibeskiven (16) og bagbeklædningsunderlaget (15).

Brug

Advarsel! Lad værktøjet arbejde i sit eget tempo. Overbelast det ikke.

- ◆ Før kablet forsigtigt for at undgå at skære i det ved en fejltagelse.

- Vær forberedt på en strøm af gnister, når slibe- eller skæreskiven rører ved arbejdsemnet.
- Anbring altid værktøjet på en sådan måde, at beskyttelseskærmen giver optimal beskyttelse mod slibe- eller skæreskiven.

Miljøbeskyttelse



Særskilt bortskaffelse. Produkter og batterier mærket med dette symbol må ikke bortskaffes sammen med normalt husholdningsaffald.

Produkter og batterier indeholder materialer, der kan blive gendannet eller genanvendt og således reducere efterspørgslen efter råvarer. Genbrug venligst elektriske produkter og batterier i henhold til lokale regulativer.

Tekniske data

		FME821 (Type 1)	FME822 (Type 1)
Indgangsspænding	V_{AC}	230	230
Effektindgang	W	850	850
Nominal hastighed	min^{-1}	12.000	12.000
Skivediameter	mm	115	125
Skiveboring	mm	22	22
Maks. skivetykkelse			
slibeskiver	mm	6	6
skæreskiver	mm	3,5	3,5
Spindelstørrelse		M14	M14
Vægt	kg	2,1	2,1

L_{pA} (lydtryk) 94,5 dB(A), usikkerhed (K) 3 dB(A)
L_{WA} (lydeffekt) 105,5 dB(A), usikkerhed (K) 3 dB(A)
Samlede vibrationsværdier (triaxvektorsum) i henhold til EN60745:
Overfladeslibning ($a_{h,SS}$) 9,9 m/s^2 , usikkerhed (K) 1,5 m/s^2
Afskæring ($a_{h,P}$) 9,1 m/s^2 , usikkerhed (K) 1,5 m/s^2
Polering ($a_{h,P}$) 5,0 m/s^2 , usikkerhed (K) 1,5 m/s^2
Skiveslibning ($a_{h,DS}$) 3,3 m/s^2 , usikkerhed (K) 1,5 m/s^2

Slå til og fra

- For at tænde skal du skubbe tænd-/slukkkontakten (1) fremad og derefter trykke den ind. Bemærk at værktøjet vil fortsætte med at køre, når du slipper kontakten.
- For at slukke tryk på den bageste del af tænd-/slukkkontakten.

Advarsel! Sluk ikke for værktøjet, når det er under belastning.

Blød startfunktion

Den bløde startfunktion giver mulighed for langsom hastighed-sopbygning for at undgå ryk ved start. Denne funktion er særdeles nyttig, når der arbejdes i lukkede rum.

Ingen volt

Ingen-volt-funktionen stopper vinkelsliberens genstart, uden at der er tændt og slukket for kontakten, hvis der er en pause i strømforsyningen.

Tip til optimal brug

- Hold godt fast i værktøjet med den ene hånd omkring sidehåndtaget og den anden rundt om hovedhåndtaget.
- Oprethold under slibning altid en vinkel på ca. 15° mellem skiven og arbejdsemnets overflade.

Vedligehold

Dit Stanley Fat Max apparat/værktøj med eller uden ledninger er designet til at fungere i lang tid med minimal vedligeholdelse. Vedvarende tilfredsstillende funktion er afhængig af, om værktøjet plejes korrekt og rengøres regelmæssigt.

Advarsel! Før udførelse af vedligeholdelse på elværktøjer med eller uden ledninger:

- Sluk for og træk stikket ud af apparatet/værktøjet.
- Eller sluk for og fjern batteriet fra apparatet/værktøjet, hvis apparatet/værktøjet har en separat batteripakke.
- Eller kød batteriet helt ned, hvis det er integreret og sluk derefter for det.
- Træk stikket ud af opladeren før den rengøres. Din oplader kræver ingen vedligeholdelse bortset fra regelmæssig rengøring.
- Rengør regelmæssigt ventilationsåbningerne i dit apparat/værktøj og oplader med en blød børste eller en tør klud.
- Rengør regelmæssigt motorhuset med en fugtig klud. Brug ikke et slibende eller opløsningsmiddel-baseret rengøringsmiddel.
- Åbn regelmæssigt borepatronen og bank på den for at fjerne indvendigt støv (når monteret).

EF-overensstemmelseserklæring

MASKINDIREKTIV



FME821 / FME822 vinkelsliber

Stanley Europe erklærer, at produkterne beskrevet under "tekniske data" er udformet i overensstemmelse med:

2006/42/EC, EN60745-1:2009 +A11:2010;

EN60745-2-3:2011 +A2:2013 +A11:2014 +A12:2014

Disse produkter er endvidere i overensstemmelse med direktiv 2004/108/EF (indtil 19.04.2016) 2014/30/EU (fra 20.04.2016) og 2011/65/EU. Kontakt Black & Decker på følgende adresse for yderligere oplysninger eller se bagsiden af vejledningen.

Undertegnede er ansvarlig for kompilering af den tekniske fil og udsteder denne erklæring på vegne af Stanley Europe.

Ray Laverick

Direktør for maskinteknik

Stanley Europe, Egide Walschaertsstraat14-18,

2800 Tessengerlo, Belgien

25/08/2015

Garanti

Stanley Fat Max er sikker på kvaliteten af sine produkter og giver forbrugerne en garanti på 12 måneder * fra købsdatoen. Denne garanti er en tilføjelse til dine lovbefalede rettigheder. Garantien er gyldig inden for medlemsstaterne af Den Europæiske Union og Det Europæiske Frihandelsområde.

Når du gør krav på garantien, skal kravet være i overensstemmelse med Stanley Fat Max vilkår og betingelser, og du skal indsende dokumentation for købet til sælgeren eller til en autoriseret reparatør.

Vilkår og betingelser for Stanley Fat Max 1 års garanti og placeringen af dit nærmeste autoriserede serviceværksted kan fås på internettet på www.2helpU.com, eller ved at kontakte dit lokale Stanley Fat Max kontor på den adresse, der er angivet i denne vejledning.

Besøg venligst vores websted www.stanleytools.co.uk for at registrere dit nye Stanley Fat Max produkt og modtage opdateringer om nye produkter og specielle tilbud.

Käyttötarkoitus

Stanley Fat Max -kulmahiomakone FME821, FME822 on tarkoitettu metallin ja kivimateriaalin hiomiseen ja katkaisemiseen asianmukaisia katkaisu- ja hiomalaikkoja käyttäen. Kun koneeseen on asennettu asianmukainen suoja, kone sopii niin ammatti- kuin yksityiskäyttöön.

Turvaohjeet

Sähkötyökalun yleiset turvallisuusvaroitukset



Varoitust! Lue kaikki turvallisuusvaroitukset ja ohjeet. Jos alla olevia varoituksia ja ohjeita ei noudateta, on olemassa sähköiskun, tulipalon ja/tai vakavan henkilövahingon vaara.

Tallenna kaikki varoitukset ja ohjeet myöhempää tarvetta varten. Kaikissa alla olevissa varoituksissa on käytettävä sähkötyökaluilmaus viittaa verkkovirtaan yhdistettävään tai akkukäyttöiseen työkaluun.

1. Työalueen turvallisuus

- Pidä työskentelyalue siistinä ja kirkkaasti valaistuna.** Onnettomuuksia sattuu herkemmin epäsiistissä tai huonosti valaistussa ympäristössä.
- Älä käytä sähkötyökaluja, jos on olemassa räjähdysvaara esimerkiksi syttyvien nesteiden, kaasujen tai pölyn vuoksi.** Sähkötyökalujen aiheuttamat kipinät voivat sytyttää pölyn tai kaasut.
- Pidä lapset ja sivulliset kaukana käyttäessäsi sähkötyökalua.** Keskittymiskyvyn herpaantuminen voi aiheuttaa hallinnan menettämisen.

2. Sähköturvallisuus

- Pistokkeen ja pistorasian on vastattava toisiaan. Älä koskaan tee pistokkeeseen mitään muutoksia. Älä yhdistä maadoitettua sähkötyökalua jatkojohtoon.** Sähköiskun vaara vähenee, jos pistokkeisiin ei tehdä muutoksia ja ne yhdistetään vain niille tarkoitettuihin pistorasioihin.
- Älä kosketa maadoituksessa käytettäviin pintoihin, kuten putkiin, lämpöpattereihin ja jäähdytyslaitteisiin.** Voit saada sähköiskun, jos kehosi on maadoitettu.
- Älä altista sähkötyökaluja sateelle tai kosteudelle.** Sähkötyökaluun menevä vesi lisää sähköiskun vaaraa.
- Älä vaurioita sähköjohtoa. Älä kanna työkaluja sähköjohdosta tai vedä pistoketta pistorasiasta sähköjohton avulla. Pidä sähköjohto kaukana kuumuudesta, öljystä, terävistä reunoista tai liikkuvista osista.** Vaurioituneet tai sokeutuneet johdot lisäävät sähköiskun vaaraa.

- Jos käytät sähkötyökalua ulkona, käytä vain ulkokäyttöön tarkoitettua jatkojohtoa.** Ulkokäyttöön tarkoitettun sähköjohton käyttäminen vähentää sähköiskun vaaraa.
- Jos sähkötyökalua on käytettävä kosteassa paikassa, käytä vikavirtasuojaa.** Tämä vähentää sähköiskun vaaraa.

3. Henkilökohtainen turvallisuus

- Käyttäessäsi sähkötyökalua pysy valppaana, keskity työhön ja käytä tervettä järkeä. Älä käytä tätä työkalua ollessasi väsynyt tai alkoholin, huumeiden tai lääkkeiden vaikutuksen alaisena.** Keskittymisen herpaantuminen hetkeksikin sähkötyökalua käytettäessä voi aiheuttaa vakavan henkilövahingon.
- Käytä henkilösuojavarusteita. Käytä aina suojalaseja.** Hengityssuojaimen, liukumattomien turvajalkineiden, kypärän ja kuulosuojaimen käyttäminen vähentää henkilövahinkojen vaaraa.
- Estä tahaton käynnistäminen. Varmista, että virtakytkin on OFF-asennossa, ennen kuin kytket sähkötyökalun pistorasiaan, yhdistät siihen akun, nostat työkalun käteesi tai kannat sitä.** Sähkötyökalun kantaminen sormi virtakytkimellä lisää onnettomuusvaaraa.
- Poista kaikki säätöavaimet tai vääntimet ennen sähkötyökalun käynnistämistä.** Sähkötyökalun pyöriivään osaan jäänyt säätöavain tai väännin voi aiheuttaa henkilövahingon.
- Älä kurkottele. Huolehdi siitä, että sinulla on koko ajan tukeva jalansija ja hyvä tasapaino.** Näin voit hallita sähkötyökalua paremmin odottamattomissa tilanteissa.
- Pukeudu oikein. Älä käytä löysiä vaatteita tai koruja.** Pidä hiukset, vaatteet ja kädet loitolla liikkuvista osista. Löysät vaatteet, korut tai pitkät hiukset voivat tarttua liikkuviin osiin.
- Jos käytettävissä on laitteita pölyn ottamiseksi talteen, käytä niitä.** Pölyn ottaminen talteen voi vähentää pölyn aiheuttamia vaaroja.

4. Sähkötyökalusta huolehtiminen

- Älä kohdista sähkötyökaluun liikaa voimaa. Valitse käyttötarkoituksen kannalta oikea sähkötyökalu.** Sähkötyökalu toimii paremmin ja turvallisemmin, kun sitä käytetään sille suunniteltuun käyttötarkoitukseen.
- Älä käytä työkalua, jos virtakytkin ei toimi.** Jos sähkötyökalua ei voi hallita kytkimen avulla, se on vaarallinen ja se on korjattava.
- Katkaise sähkötyökalusta virta ja irrota sen pistoke pistorasiasta tai irrota akku siitä ennen säätämistä, varusteiden vaihtamista tai sähkötyökalun asettamista säilytykseen.** Näin voit vähentää vahingossa käynnistymisen aiheuttaman henkilövahingon vaaraa.

- d. **Varastoi sähkötyökaluja lasten ulottumattomissa. Älä anna sähkötyökaluihin tottumattomien tai näihin ohjeisiin perehtymättömien henkilöiden käyttää.** Sähkötyökalut ovat vaarallisia kouluttamattomien käyttäjien käsissä.
- e. **Pidä sähkötyökalut kunnossa. Tarkista liikkuvat osat, niiden kiinnitys, osien eheys ja muut koneen toimintaan vaikuttavat tekijät. Jos havaitset vaurioita, korjauta sähkötyökalu ennen niiden käyttämistä.** Huonosti kunnossapidetyt sähkötyökalut aiheuttavat onnettomuuksia.
- f. **Pidä leikkaavat pinnat terävinä ja puhtaina.** Kunnossa pidettyjen leikkaavia teräviä reunoja sisältävien työkalut todennäköisyys jumiutua vähenee, ja niitä on helpompi hallita.
- g. **Käytä sähkötyökalua ja sen tarvikkeita, kuten poranteriä, näiden ohjeiden mukaisesti. Ota työskentelyolosuhteet ja tehtävä työ huomioon.** Jos sähkötyökalua käytetään näiden ohjeiden vastaisesti, voi syntyä vaaratilanne.
5. **Huolto**
- a. **Korjauta työkalu valtuutetulla asentajalla. Varaosina on käytettävä vain alkuperäisiä vastaavia osia.** Täten taataan sähkötyökalun turvallisuus.

Sähkötyökalun lisäturvallisuusvaroitukset



Varoitus! Lisäturvallisuusohjeita hiomiseen, kiillottamiseen ja katkaisutoimenpiteisiin

- ◆ **Tämä sähkötyökalu on tarkoitettu käytettäväksi hioma-, kiillotus- tai leikkauskoneena. Lue kaikki tämän sähkötyökalun mukana toimitetut varoitukset, käyttöohjeet ja tekniset tiedot.** Jos kaikkia ohjeita ei noudateta, on olemassa sähköiskun, tulipalon ja/tai vakavan henkilövahingon vaara.
- ◆ **Jos sähkötyökalua käytetään tarkoitukseen, johon sitä ei ole suunniteltu, voi aiheutua vaaratilanne ja henkilövahinko.**
- ◆ **Älä käytä varaosia tai varusteita, joita valmistaja ei suosittele tai ole hyväksynyt.** Varusteen käyttäminen ei ole turvallista vain siksi, että se voidaan yhdistää sähkötyökaluun.
- ◆ **Varusteen nimellisa nopeuden tulee olla vähintään sama kuin sähkötyökaluun merkityn enimmäisnopeuden.** Jos varusteita käytetään niiden nimellisa nopeutta suuremmalla nopeudella, ne voivat särkyä ja niistä voi lentää kappaleita.
- ◆ **Varusteen ulkolämpimän ja paksuuden on vastattava sähkötyökalun kapasiteettia.** Väärän kokoista varustetta ei voida suojata tai hallita riittävän tehokkaasti.
- ◆ **Lisävarusteiden kiertäisen kiinnitysosan on sovittava hiomakoneen karan kiertäisiin. Laippojen avulla asennettujen lisävarusteiden kohdalla lisävarusteen kiinnitysreiän on sovittava laipan sijoituskohdan halkaisijaan.** Jos varustetta ei voi kiinnittää sähkötyökaluun kunnolla, voi aiheutua epätasapaino ja voit menettää työkalun hallinnan tärinän vuoksi.
- ◆ **Älä käytä vaurioitunutta lisävarustetta. Ennen käyttämistä tarkista, ettei tarvikkeessa, esimerkiksi sen hiomalaikoissa tai taustalevyssä, ole halkeamia, repeämiä tai kulumia tai irrallisia tai katkenneita harjaksia.** Jos sähkötyökalu putoaa, tarkista, onko siihen tullut vaurioita ja vaihda vaurioitunut osa. **Kun olet tarkastanut ja asentanut varusteen, käytä konetta maksimaalisella kuormittamattomalla nopeudella yhden minuutin ajan.** Vaurioitunut varuste tavallisesti särkyvät tämän testausajan kuluessa.
- ◆ **Käytä henkilökohtaisia suojavarusteita. Käytä kasvusojusta tai turvalaseja tehtävän työn vaatimusten mukaisesti. Käytä tarvittaessa hengityssuojainta, kuulosuojaimia, käsineitä ja suojavaatetusta, joka estää lentävien kappaleiden aiheuttamat henkilövahingot.** Turvalasien pystyttävä estämään lentäviä kappaleita aiheuttamasta henkilövahinkoja. Hengityssuojaimen pystyttävä estämään hiukkasia pääsemästä hengitysteihin. Pitkäaikainen altistuminen melulle voi heikentää kuuloa.
- ◆ **Pidä sivulliset turvallisen etäisyyden päässä työskentelyalueesta. Työskentelyalueella on käytettävä henkilösuojavarusteita.** Työstettävän kappaleen tai särkyneen varusteen singahtavat osat voivat aiheuttaa henkilövahinkoja.
- ◆ **Jos terä voi osua piilotettuihin sähköjohtoihin tai työkalun omaan sähköjohtoon, tartu vain työkalun eristettyihin tarttumapintoihin.** Jännitteisen johdon leikkaaminen tekee työkalun paljaista metalliosista jännitteisiä, joten käyttäjä voi saada sähköiskun.
- ◆ **Pidä sähköjohto kaukana työkalusta.** Jos menetät työkalun hallinnan, johto voi katketa tai vaurioitua tai työkalu voi osua käteesi.
- ◆ **Laske työkalu alas vasta kun se on täysin pysähtynyt.** Käynnissä oleva työkalu voi osua työtason pintaan, jolloin menetät sen hallinnan.
- ◆ **Älä anna sähkötyökalun olla käynnissä kantaessasi sitä.** Jos käynnissä oleva sähkötyökalu tarttuu vaatteisiisi, se voi osua kehoosi.
- ◆ **Puhdista sähkötyökalun ilmanvaihtoaukot säännöllisesti.** Moottorin puhallin vetää pölyä työkalun sisään. Metallipölyn kertyminen voi aiheuttaa sähköiskun vaaran.
- ◆ **Älä käytä sähkötyökalua helposti syttyvien aineiden läheisyydessä.** Kipinä voivat sytyttää ne.

- ◆ **Älä käytä nestejäähdytystä edellyttäviä varusteita.** Veden tai muun jäähdytysaineen käyttäminen voi aiheuttaa sähköiskun.

Huomautus: Yllä oleva varoitus ei koske sähkötyökaluja, jotka on tarkoitettu käytettäväksi nestejärjestelmällä.

Takapotku ja vastaavat varoitukset

Takapotku aiheutuu äkillisesti hiomalaikan, taustalevyn, harjan tai varusteen juuttuessa kiinni. Tällöin pyörä pysähtyy ja sähkötyökalu lähtee hallitsemattomasti vastakkaiseen suuntaan.

Jos esimerkiksi hiomalaikka jää kiinni työstettävään kappaleeseen, laikan reuna voi kaivautua sen pintaan, jolloin hiomalaikka voi nousta pinnalle tai aiheuttaa potkun. Hiomalaikka voi singahtaa käyttäjää kohden tai hänestä poispäin sen mukaan mihin suuntaan laikka pyörii jäädessään kiinni.

Tällöin hiomalaikka voi myös rikkoutua.

Takapotku on seurausta sähkötyökalun väärinkäyttämisestä tai virheellisistä olosuhteista. Se voidaan välttää seuraavien varoitomien avulla.

- ◆ **Pitele työkalua tiukasti. Pidä kehoasi ja käsivartesi asennossa, jossa ne vastustavat takapotkun voimaa. Pidä aina kiinni lisäkahvasta, jotta takapotku ja käynnistymisen aikana esiintyvä vääntöreaktio pysyvät hallinnassa.** Käyttäjä voi hallita vääntöreaktiota tai takapotkuvoimaa, jos tarvittaviin varoitomiin ryhdytään.
- ◆ **Älä vie käsiä käynnissä olevan työkalun lähelle.** Se voi aiheuttaa takapotkun.
- ◆ **Pidä kehoasi kaukana alueelta, johon sähkötyökalu singahtaa takapotkun vaikutuksesta.** Takapotku saa työkalun singahtamaan vastakkaiseen suuntaan laikan liikkeeseen nähden, jos se tarttuu kiinni.
- ◆ **Noudata erityistä huolellisuutta kulmia, teräviä reunoja yms. työstäessä. Vältä varusteen kimpoomista ja tarttumista.** Nurkat, terävät kulmat tai kimpoominen voivat aiheuttaa toiminnassa olevan työkalun jäämisen kiinni, jolloin sen hallinta menetetään tai voi aiheutua takapotku.
- ◆ **Älä kiinnitä työkaluun sahanterää.** Muutoin aiheutuu helposti takapotku tai hallinnan menetys.

Varoitukset hiomiseen ja katkaisutoimenpiteisiin:

- ◆ **Käytä vain sähkötyökalulle suositeltuja laikkoja ja niitä varten tarkoitettuja suojuksia.** Jos sähkötyökalussa käytetään laikkoja, joita ei ole tarkoitettu käytettäväksi siinä, niitä ei voi suojata kunnolla, joten ne aiheuttavat vaaran.
- ◆ **Keskelle painettujen laikkojen hiomapinta on asennettava suojakaistaleen tason alapuolelle.** Virheellisesti

asennettua laikkaa, joka näkyy suojakaistaleen tason läpi, ei voida suojata oikeaoppisesti.

- ◆ **Suojus on kiinnitettävä sähkötyökaluun kunnolla ja asetettava turvalliseen asentoon, jotta mahdollisimman pieni osa laikasta jää näkyviin.** Suoja estää rikkoutuneiden laikan sirujen sinkoamisen, koskettamisen vahingossa laikkaan ja vaatetuksen syttymisen kipinöiden vuoksi.
- ◆ **Käytä laikkoja vain niille suositeltuihin käytötarkoituksiin. Esimerkki: Älä käytä katkaisulaikkaa hiomiseen.** Hiovat katkaisulaikat on tarkoitettu hiomiseen. Niiden aiheuttamat sivusuuntaiset voimat voivat saada laikan rikkoutumaan.
- ◆ **Käytä aina oikean kokoisia ja muotoisia ehjiä hiomalaikkoja.** Tällöin laikan rikkoutumisen vaara vähenee. Katkaisulaikat voivat olla erilaisia kuin hiomalaikat.
- ◆ **Älä käytä suuremmissa sähkötyökaluissa käytettyjä kuluneita laikkoja.** Suurempien sähkötyökalujen laikat eivät kestä pienemmän työkalun suurempaa nopeutta, joten ne voivat särkyä.

Lisäturvallisuusohjeita katkaisutoimenpiteisiin

- ◆ **Vältä katkaisulaikan "juuttumista kiinni" ja kohdistamasta laikkaan liian suurta painetta. Älä yritä leikata kappaletta liian syvältä.** Mikäli laikka ylikuormittuu, laikka voi helpommin vääntyä tai juuttua kiinni leikkauskohtaan, jolloin takaiskun ja laikan vaurioitumisen vaara kasvaa.
- ◆ **Älä aseta kehoasi pyörivän laikan tielle tai sen taakse.** Kun laikka siirtyy käytön aikana kehostasi poispäin, mahdollinen takaisinisku voi aiheuttaa pyörivän laikan ja sähkötyökalun siirtymisen voimalla suoraan sinua kohti.
- ◆ **Jos laikka juuttuu kiinni tai leikkaus keskeytetään jostakin syystä, sammuta sähkötyökalu ja pidä sitä paikoillaan, kunnes laikka pysähtyy kokonaan. Älä koskaan yritä poistaa laikkaa leikkauskohdasta laikan pyöriessä, muutoin on olemassa takaiskun vaara.** Tutki laikan juuttumisen syy ja suorita korjaustoimenpiteet.
- ◆ **Älä käynnistä leikkaustoimenpidettä uudelleen pitäen työkalua työkappaleessa. Anna laikan saavuttaa täysi nopeus ja aseta se varoen takaisin leikkauskohtaan.** Laikka voi taittua, siirtyä ylös tai iskeytyä takaisin, jos sähkötyökalu käynnistetään uudelleen työkappaleessa.
- ◆ **Tue paneeleja tai kaikkia liian suuria työkappaleita laikan kiinni juuttumisen ja takaisiniskun välttämiseksi.** Suuret työkappaleet pyrkivät taipumaan omasta painostaan. Tuet tulee asettaa työkappaleen alapuolelle leikkauslinjan lähelle ja työkappaleen reunan lähelle laikan molemmalla puolella.
- ◆ **Noudata erityistä varovaisuutta tehdessäsi upotusleikkausta seinisiin ja muihin sokeisiin kohteisiin.** Ulospuoleinen laikka voi leikata kaasu- tai vesiputkia, sähköjohtoja tai muita kohteita, jotka voivat aiheuttaa takaiskun.

Erityiset varoitukset hiottaessa

- ◆ **Älä käytä erittäin kuluneita hiomapapereita. Noudata valmistajan suosituksia valitessasi hiomapaperia.** Jos hiomapaperi ulottuu laikan ulkopuolelle, voi aiheutua haavan saamisen, laikan kulumisen tai takapotkun vaara.

Erityiset varoitukset kiillottaessa

- ◆ **Älä salli kiillotuslaipan tai sen kiinnitysruujen pyöriä vapaasti. Katkaise tai kiristä liian pitkät kiinnitysruut.** Irtonaiset kiinnitysruut voivat tarttua sormiisi tai työstettävään kappaleeseen.

Muiden henkilöiden turvallisuus

- ◆ Tätä laitetta ei ole tarkoitettu sellaisten henkilöiden (mukaan lukien lapset) käytettäväksi, joiden fyysiset, aistilliset tai henkiset kyvyt tai kokemus ja tietämys ovat puutteelliset, ellei heidän turvallisuudestaan vastuussa oleva henkilö valvo tai ohjaa heitä laitteen käytössä.
- ◆ Lapsia tulee valvoa ja varmistaa, että he eivät leiki laitteella.

Jäännösriski

Jäännösriskejä voi esiintyä käyttäessä muita kuin varoituk-
sissa mainittuja työkaluja. Riskit voivat johtua väärinkäytöstä,
pitkästä käytöstä jne.

Turvamääräysten noudattamisesta ja turvalaitteiden käyt-
tämisestä huolimatta tiettyjä vaaroja ei voida välttää. Näitä
ovat:

- ◆ **Työkalun pyörienv/liikkuvien osien koskettamisesta aiheutuvat vammat.**
- ◆ **Osien, terien tai lisävarusteiden vaihtamisen aikana aiheutuvat vammat.**
- ◆ **Työkalun pitkäaikaisesta käytöstä aiheutuvat henkilövahingot.** Pidä säännöllisiä taukoja työkalun pitkäaikaisen käytön aikana.
- ◆ **Kuulon heikkeneminen.**
- ◆ **Työkalun aikana aiheutuvan pölyn hengittämisestä aiheutuvat terveysvaarat (esimerkki:- puutavaran työstäminen, erityisesti tammen, pyökin ja puolikovan kuitulevyn työstäminen).**

Tärinä

Teknisissä tiedoissa sekä vaatimustenmukaisuusvakuutukses-
sa ilmoitetut tärinän päästöarvot on mitattu standardilla tes-
timenetelmällä EN60745:n mukaisesti ja niitä voidaan käyttää
eri työkalujen vertaamiseen. Ilmoitettua tärinän päästöarvoa
voidaan käyttää myös alustavassa altistumisen arvioinnissa.

Varoitus! Todellinen tärinän päästöarvo sähkötyökalun käytön
aikana voi poiketa ilmoitetusta arvosta työkalun käyttötavasta
riippuen. Tärinätaaso voi olla ilmoitettua tasoa suurempi.

Kun tärinälle altistumista arvioidaan direktiivin 2002/44/EY
vaatimien turvallisuustoimien määrittämiseksi ja säännöllisesti
sähkötyökalua käyttävien käyttäjien suojaamiseksi, tärinän
altistumisen arvioinnissa tulee huomioida todelliset käyttö-
olosuhteet sekä työkalun käyttötapa sekä kaikki käyttöjakson
elementit (esim. työkalun sammutusajaj, tyhjäkäyntiajat sekä
käynnistymisajat).

Työkalun tarrat

Työkalu sisältää seuraavat kuvakkeet sekä päivämääräkoodin:



Varoitus! Loukkaantumisriskin vähentämiseksi käyt-
täjän on luettava tämä käyttöohje.



Käytä suojalaseja tämän koneen käyttämisen
aikana.



Käytä kuulonsuojaimia tämän koneen käyttämisen
aikana.

Sähköturvallisuus



Tämä työkalu on kaksoiseristetty; se ei täten vaadi
maadoitusjohtoa. Tarkista aina, että verkkovirran
jännite vastaa tyyppikilpeen merkittyä jännitettä.

- ◆ Jos virtajohto on vaurioitunut, vaaratilanteiden vält-
tämiseksi se on annettava valmistajan tai valtuutetun
Stanley Fat Max -huoltopalvelun vaihdettavaksi.

Ominaisuudet

Tämä kone sisältää kaikki seuraavat ominaisuudet tai joitakin
niistä.

1. Virtakytkin
2. Sivukahva
3. Karan lukko
4. Hiomasuojus

Asennus

Varoitus! Varmista ennen asennusta, että työkalu on sam-
mutettu ja irrotettu sähköverkosta.

Suojuksen kiinnittäminen ja irrottaminen (kuva A)

Työkalussa on hiomiseen ja katkaisutoimenpiteisiin tarkoitettu
suojaus. Varmista, että käytät oikeaa suojusta käyttötarkoituk-
sen mukaan. Jos työkalulla halutaan suorittaa katkaisutoimen-
piteitä, asenna siihen tarkoitettu suojuus (17, kuva F).

Asennus

- ◆ Aseta työkalu pöydälle kara (5) ylöspäin.
- ◆ Vapauta lukitus (7). Pitele suojusta (4) työkalun päällä
kuvassa näkyvällä tavalla.

- ◆ Kohdista ulokkeet (8) koloihin (9).
- ◆ Paina suojus alas ja käännä sitä vastapäivään vaadittavaan asentoon.
- ◆ Lukitse lukitus (7) suojuksen kiinnittämiseksi työkaluun.
- ◆ Kiristä ruuvi (6) tarvittaessa suurempaa kiinnitysvoimaa varten.

Irrotus

- ◆ Vapauta lukitus (7).
- ◆ Kierrä suojusta myötäpäivään kohdistaaksesi ulokkeet (8) koloihin (9).
- ◆ Irrota suojus koneesta.

Varoitus! Älä käytä tätä työkalua ilman suojusta.

Sivukahvan kiinnitys

- ◆ Ruuvaa sivukahva (2) työkalun johonkin asennusreikään.

Varoitus! Käytä aina sivukahvaa.

Hioma- tai leikkauslaikan asettaminen ja irrottaminen (kuvat B - D)

Käytä aina oikeanlaista laikkaa käyttötarkoituksen mukaan. Käytä aina halkaisijaltaan ja reiän kooltaan oikeanlaisia laikkoja (ks. tekniset tiedot).

Asennus

- ◆ Asenna suojus yllä kuvatulla tavalla.
- ◆ Aseta sisälaippa (10) karaan (5) kuvan mukaisesti (kuva B). Varmista, että laippa on oikein paikoillaan karan tasaisilla sivuilla.
- ◆ Aseta laikka (11) karaan (5) kuvan mukaisesti (kuva B). Jos laikassa on koholla oleva keskiosa (12), tarkista, että se osoittaa sisälaippaan päin.
- ◆ Varmista, että laikka on oikein sisälaipassa.
- ◆ Ruuvaa ulkoinen laippa (13) karaan. Kun asennat hiomalaikan, ulkoisen laipan kohotetun keskiosan tulee osoittaa laikkaan päin (A kuvassa C). Kun asennat katkaisulaikan, ulkoisen laipan kohotetun keskiosan tulee osoittaa laikasta poispäin (B kuvassa C).
- ◆ Pidä karan lukitusta (3) alhaalla ja kiristä ulkoinen laippa kaksipäisellä ruuviavaimella (14) (kuva D).

Irrotus

- ◆ Pidä karan lukitusta (3) alhaalla ja löysää ulkoinen laippa (13) kaksipäisellä ruuviavaimella (14) (kuva D).
- ◆ Poista ulkoinen laippa (13) ja laikka (11).

Hiomalaikkojen asennus ja irrotus (kuvat D & E)

Hiominen edellyttää pohjalevyn. Pohjalevy on saatavilla lisävarusteena Stanley Fat Max -jälleenmyyjältä.

Asennus

- ◆ Aseta sisälaippa (10) karaan (5) kuvan mukaisesti (kuva E). Varmista, että laippa on oikein paikoillaan karan tasaisilla sivuilla.
- ◆ Laita pohjalevy (15) karaan.
- ◆ Aseta hiomalaikka (16) pohjalevyyn.
- ◆ Aseta ulkoinen laippa (13) karaan kohotettu keskiosa laikasta poispäin.
- ◆ Pidä karan lukitusta (3) alhaalla ja kiristä ulkoinen laippa kaksipäisellä ruuviavaimella (14) (kuva D). Varmista, että ulkoinen laippa on asennettu oikein ja että laikka on kiristetty hyvin paikoilleen.

Irrotus

- ◆ Pidä karan lukitusta (3) alhaalla ja löysää ulkoinen laippa (13) kaksipäisellä ruuviavaimella (14) (kuva D).
- ◆ Poista ulkoinen laippa (13), hiomalaikka (16) ja pohjalevy (15).

Käyttö

Varoitus! Anna työkalun käydä ilman kuormitusta. Vältä työkalun ylikuormittamista.

- ◆ Ohjaa kaapelia varoen, jotta et leikkaisi sitä vahingossa.
- ◆ Varo kipinöitä hioma- tai katkaisulaikan osuessa työstökappaleeseen.
- ◆ Aseta työkalu niin, että suojus suojaa mahdollisimman hyvin hioma- tai katkaisulaikalta.

Käynnistäminen ja sammuttaminen

- ◆ Käynnistä työkalu liu'uttamalla virtakytkintä (1) eteenpäin ja painamalla se sisään. Työkalun toiminta jatkuu, kun kytkin vapautetaan.
- ◆ Sammuta työkalu painamalla virtakytkimen takaosaa.

Varoitus! Älä käynnistä tai sammuta työkalua, kun se on kuormitettuna.

Pehmeä käynnistys

Pehmeä käynnistys estää laitteen hallinnan menettämisen käynnistettäessä. Tästä ominaisuudesta on hyötyä varsinkin ahtaissa paikoissa.

No-Volt

No-volt-toiminto estää hiomakoneen uudelleen käynnistymisen ilman kytkintä, jos virransyötössä tapahtuu keskeytys.

Vinkkejä optimaaliseen käyttöön

- ◆ Pidä työkalusta tiukasti kiinni pitäen yhtä kättä sivukahvassa ja toista kättä pääkahvassa.
- ◆ Säilytä hiomisen aikana aina noin 15° kulma laikan ja työstökappaleen pinnan välillä.

Huolto

Langallinen/langaton Stanley Fat Max -työkalusi/koneesi on suunniteltu käytettäväksi pitkään ja edellyttämään vain vähän kunnossapitoa. Oikea käsittely ja säännöllinen puhdistus varmistavat laitteen ongelmattoman toiminnan.

Varoitus! Ennen langallisen/langattoman sähkötyökalun huoltamista:

- ◆ Sammuta ja irrota laite/työkalu sähköverkosta.
- ◆ Tai sammuta ja poista laitteen/sähkötyökalun akku, jos laitteessa/työkalussa on erillinen akku.
- ◆ Tai käytä akkuvirta loppuun sen ollessa laitteessa ja sammuta kone sen jälkeen.
- ◆ Irrota laturi sähköverkosta ennen sen puhdistamista. Laturi ei vaadi huoltoa, ainoastaan säännöllisen puhdistuksen.
- ◆ Puhdista laitteen/työkalun/laturin tuuletusaukot pehmeällä harjalla tai kuivalla liinalla.
- ◆ Puhdista moottorikotelo säännöllisesti kostealla liinalla. Älä käytä hiovia tai liuotinpohjaisia puhdistusaineita.
- ◆ Avaa istukka säännöllisesti ja napauta sitä pölyn poistamiseksi sen sisältä (kun varusteena).

Ympäristön suojeleminen



Toimita tämä laite kierrätykseen. Tällä symbolilla merkityjä tuotteita ja akkuja ei saa hävittää normaalin kotitalousjätteen mukana.

Tuotteissa ja akuissa on materiaaleja, jotka voidaan kerätä tai kierrättää uudelleen käyttöä varten. Kierrätä sähkölaitteet ja akut paikallisten määräyksien mukaisesti.

Tekniset tiedot

		FME821 (Tyyppi 1)	FME822 (Tyyppi 1)
Tulojännite	V _{AC}	230	230
Ottoteho	W	850	850
Nimellisnopeus	min ⁻¹	12 000	12 000
Laikan halkaisija	mm	115	125
Laikan reikä	mm	22	22
Laikan maksimipaksuus			
hiomalaikat	mm	6	6
katkaisulaikat	mm	3,5	3,5
Karan koko		M14	M14
Paino	kg	2,1	2,1

L _{PA} (äänipaine) 94,5 dB(A), epävarmuus (K) 3 dB(A)
L _{WA} (ääniteho) 105,5 dB(A), epävarmuus (K) 3 dB(A)
Tärinän kokonaisarvot (kolmiakselivektorisumma) EN60745 -standardin mukaisesti:
Pinnan hiominen (a _{h,SG}) 9,9 m/s ² , epävarmuus (K) 1,5 m/s ²
Katkaisu (a _h) 9,1 m/s ² , epävarmuus (K) 1,5 m/s ²
Kiillotus (a _{h,P}) 5,0 m/s ² , epävarmuus (K) 1,5 m/s ²
Laikkahionta (a _{h,DS}) 3,3 m/s ² , epävarmuus (K) 1,5 m/s ²

EU-vaatimustenmukaisuusvakuutus

KONEDIREKTIIVI



FME821 / FME822 Kulmahiomakone

Stanley Europe vakuuttaa, että nämä tuotteet täyttävät

seuraavat määräykset:

2006/42/EY, EN60745-1:2009 +A11:2010;

EN60745-2-3:2011 +A2:2013 +A11:2014 +A12:2014

Nämä tuotteet täyttävät myös direktiivien 2004/108/EY (19.4.2016 saakka), 2014/30/EU (20.4.2016 alkaen) ja 2011/65/EU vaatimukset. Saat lisätietoja ottamalla yhteyden Black & Deckeriin. Osoitteet näkyvät käyttöohjeen takasivulla.

Allekirjoittaja vastaa teknisistä tiedoista ja antaa tämän vakuutuksen Stanley European puolesta.

Ray Laverick

Tekninen päällikkö

Stanley Europe, Egide Walschaertsstraat 14-18,

2800 Mechelen, Belgia

25.8.2015

Takuu

Stanley Fat Max on varma tuotteidensa korkeasta laadusta ja tarjoaa kuluttajille 12 kuukauden takuun*, joka astuu voimaan ostopäivänä. Kyseinen takuu ei heikennä mitenkään lakisäätöisiä oikeuksia, se ainoastaan täydentää niitä. Tämä takuu on voimassa kaikissa EU- ja ETA-maissa.

Takuuvaateet tulee tehdä Stanley Fat Max -ehtojen mukaisesti ja ostosite tulee tällöin toimittaa jälleenmyyjälle tai valtuutettuun huoltopalveluun.

Stanley Fat Max -yhtiön yhden vuoden takuun ehdot ja lähimmän valtuutetun korjauspalvelun tiedot ovat saatavilla osoitteessa www.2helpU.com tai ottamalla yhteyttä paikalliseen Stanley Fat Max -toimipisteeseen tämän ohjekirjan osoitteeseen.

Vieraile verkkosivuillamme www.stanleytools.co.uk uuden Stanley Fat Max -tuotteen rekisteröimiseksi ja saadaksesi uusia tuotepäivityksiä sekä erikoistarjouksia.

Προβλεπόμενη χρήση

Ο γωνιακός τροχός Stanley Fat Max FME821, FME822 που αποκτήσατε έχει σχεδιαστεί για πρόχισμα-λείανση και κοπή μετ' άλλων και ειδών τοιχοποιίας με χρήση του κατάλληλου δίσκου κοπής ή τροχίσματος. Όταν έχει εξοπλιστεί με το κατάλληλο προστατευτικό, αυτό το εργαλείο προορίζεται για επαγγελματίες καθώς και για ιδιώτες, μη επαγγελματίες χρήστες.

Οδηγίες ασφαλείας

Γενικές προειδοποιήσεις ασφαλείας για ηλεκτρικά εργαλεία



Προειδοποίηση! Διαβάστε όλες τις προειδοποιήσεις ασφαλείας και όλες τις οδηγίες. Η μη τήρηση των προειδοποιήσεων και των οδηγιών που αναφέρονται παρακάτω μπορεί να έχει ως αποτέλεσμα ηλεκτροπληξία, πυρκαγιά και/ή σοβαρή σωματική βλάβη.

Φυλάξτε όλες τις προειδοποιήσεις και τις οδηγίες για **μελλοντική αναφορά**. Ο χαρακτηρισμός "ηλεκτρικό εργαλείο" που χρησιμοποιείται σε όλες τις παρακάτω προειδοποιήσεις αφορά είτε το εργαλείο που συνδέεται στην πρίζα (με καλώδιο) είτε το εργαλείο που λειτουργεί με μπαταρία (χωρίς καλώδιο).

1. Ασφάλεια χώρου εργασίας

- α. Διατηρείτε το χώρο εργασίας καθαρό και καλά φωτισμένο. Οι ατακτοποιητοί ή σκοτεινοί χώροι γίνονται αιτίες ατυχημάτων.
- β. **Μη χρησιμοποιείτε ηλεκτρικά εργαλεία σε περιβάλλον όπου υπάρχει κίνδυνος έκρηξης, όπως με παρουσία εύφλεκτων υγρών, αερίων ή σκόνης.** Τα ηλεκτρικά εργαλεία παράγουν σπινθήρες που μπορεί να προκαλέσουν ανάφλεξη της σκόνης ή των αναθυμιάσεων.
- γ. **Όταν χρησιμοποιείτε ηλεκτρικό εργαλείο, κρατάτε τα παιδιά και άλλα άτομα μακριά.** Παράγοντες που αποσπούν την προσοχή μπορεί να σας κάνουν να χάσετε τον έλεγχο.

2. Ασφαλής χρήση ηλεκτρικού ρεύματος

- α. Τα φως των ηλεκτρικών εργαλείων πρέπει να ταιριάζουν στην πρίζα. Δεν επιτρέπεται με κανέναν τρόπο η μετασκευή του φως. **Μη χρησιμοποιείτε προσαρμοστικά φως με γειωμένα ηλεκτρικά εργαλεία.** Τα φως που δεν έχουν υποστεί τροποποιήσεις και οι κατάλληλες πρίζες μειώνουν τον κίνδυνο ηλεκτροπληξίας.
- β. **Αποφεύγετε την επαφή του σώματός σας με γειωμένες επιφάνειες, όπως σωλήνες, καλοριφέρ,**

κουζίνες και ψυγεία. Υπάρχει αυξημένος κίνδυνος ηλεκτροπληξίας αν το σώμα σας γειωθεί.

- γ. **Μην εκθέτετε τα ηλεκτρικά εργαλεία σε βροχή ή υγρασία.** Η εισχώρηση νερού σε ηλεκτρικό εργαλείο αυξάνει τον κίνδυνο ηλεκτροπληξίας.
 - δ. **Μην κακομεταχειρίζεστε το καλώδιο. Μη χρησιμοποιείτε ποτέ το καλώδιο για να μεταφέρετε το εργαλείο, να το τραβήξετε ή να το αποσυνδέσετε από την πρίζα.** Κρατάτε το καλώδιο μακριά από θερμότητα, λάδια, αιχμηρά άκρα ή κινούμενα μέρη. Τυχόν χαλασμένα ή μπερδεμένα καλώδια αυξάνουν τον κίνδυνο ηλεκτροπληξίας.
 - ε. **Όταν χρησιμοποιείτε ηλεκτρικό εργαλείο σε εξωτερικούς χώρους, να χρησιμοποιείτε πάντοτε καλώδιο πρόεκτασης κατάλληλο για χρήση σε εξωτερικούς χώρους.** Η χρήση καλωδίου κατάλληλου για εργασία σε εξωτερικούς χώρους μειώνει τον κίνδυνο ηλεκτροπληξίας.
 - στ. **Εάν είναι αναπόφευκτη η χρήση ενός ηλεκτρικού εργαλείου σε συνθήκες υγρασίας, χρησιμοποιήστε μια διάταξη προστασίας από ρεύμα διαρροής (RCD).** Η χρήση μιας διάταξης RCD μειώνει τον κίνδυνο ηλεκτροπληξίας.
- ### 3. Ατομική ασφάλεια
- α. **Όταν χρησιμοποιείτε ηλεκτρικό εργαλείο, να είστε σε εγρήγορση, να συγκεντρώνεστε στην εργασία που κάνετε και να επιστρατεύετε την κοινή λογική. Μη χρησιμοποιείτε ηλεκτρικό εργαλείο όταν είστε κουρασμένος/ή ή υπό την επήρεια ναρκωτικών, οινοπνεύματος ή φαρμακευτικής αγωγής.** Μια στιγμή απροσεξίας κατά τη χρήση ηλεκτρικών εργαλείων μπορεί να προκαλέσει σοβαρό τραυματισμό.
 - β. **Να χρησιμοποιείτε ατομικό εξοπλισμό προστασίας. Πάντα φοράτε προστασία ματιών.** Ο εξοπλισμός προστασίας, όπως μάσκα κατά της σκόνης, αντιολισθητικά παπούτσια ασφαλείας, κράνος ή προστασία ακοής, όταν χρησιμοποιείται για τις κατάλληλες συνθήκες, θα μειώσει τους τραυματισμούς και τις σωματικές βλάβες.
 - γ. **Αποτρέψτε την ακούσια ενεργοποίηση. Βεβαιωθείτε ότι ο διακόπτης λειτουργίας βρίσκεται στη θέση απενεργοποίησης πριν συνδέσετε το εργαλείο στην πηγή ρεύματος και/ή τοποθετήσετε το πακέτο μπαταρίας, πριν πάρετε ή μεταφέρετε το εργαλείο.** Η μεταφορά ηλεκτρικών εργαλείων με το δάκτυλο στο διακόπτη ή η σύνδεση εργαλείων στην πηγή ρεύματος με το διακόπτη στη θέση ενεργοποίησης ενέχουν κίνδυνο ατυχήματος.
 - ε. **Πριν θέσετε το ηλεκτρικό εργαλείο σε λειτουργία, αφαιρέστε τυχόν εργαλεία ή κλειδιά ρύθμισης. Αν ένα**

μηχανικό κλειδί ή κλειδί ρύθμισης ξεχαστεί συνδεδεμένο σε περιστρεφόμενο εξάρτημα του ηλεκτρικού εργαλείου, αυτό μπορεί να έχει ως αποτέλεσμα τραυματισμό ατόμων.

- ε. Μην τεντώνεστε υπερβολικά. Διατηρείτε πάντα σταθερή στήριξη στα πόδια σας και καλή ισορροπία.** Έτσι μπορείτε να έχετε καλύτερο έλεγχο του ηλεκτρικού εργαλείου σε μη αναμενόμενες καταστάσεις.
- στ. Φοράτε κατάλληλη ενδυμασία εργασίας. Μη φοράτε ρούχα με χαλαρή εφαρμογή ή κοσμήματα. Κρατάτε τα μαλλιά, τα ρούχα και τα γάντια σας μακριά από κινούμενα μέρη.** Τα χαλαρά ρούχα, τα κοσμήματα και τα μακριά μαλλιά μπορούν να πιαστούν σε κινούμενα μέρη.
- ζ. Αν παρέχονται διατάξεις για τη σύνδεση συστημάτων απομάκρυνσης και συλλογής της σκόνης, βεβαιωθείτε ότι αυτές συνδέονται και χρησιμοποιούνται κατάλληλα.** Η χρήση διατάξεων συλλογής της σκόνης μπορεί να μειώσει τους κινδύνους που προέρχονται από τη σκόνη.

4. Χρήση και φροντίδα ηλεκτρικών εργαλείων

- α. Μην υπερφορτώνετε το ηλεκτρικό εργαλείο.** Χρησιμοποιείτε το σωστό ηλεκτρικό εργαλείο για την εφαρμογή. Το σωστό ηλεκτρικό εργαλείο θα εκτελέσει την εργασία καλύτερα και ασφαλέστερα, με την ένταση χρήσης για την οποία σχεδιάστηκε.
- β. Μη χρησιμοποιήσετε το ηλεκτρικό εργαλείο αν ο διακόπτης του δεν μπορεί να ο ενεργοποιεί και απενεργοποιεί.** Οποιοδήποτε εργαλείο δεν μπορεί να ελεγχθεί μέσω του διακόπτη του, είναι επικίνδυνο και πρέπει να επισκευαστεί.
- γ. Αποσυνδέστε το φως από την πηγή ρεύματος και/ή το πακέτο μπαταρίας από το ηλεκτρικό εργαλείο, πριν διεξαγάγετε οποιαδήποτε ρύθμιση, αλλάγή εξαρτήματος ή όταν πρόκειται να αποθηκεύσετε το ηλεκτρικό εργαλείο.** Τέτοια προληπτικά μέτρα ασφαλείας μειώνουν το κίνδυνο αθέλητης εκκίνησης του ηλεκτρικού εργαλείου.
- δ. Να φυλάσσετε μακριά από παιδιά τα ηλεκτρικά εργαλεία που δεν χρησιμοποιείτε. Μην αφήνετε να χρησιμοποιήσουν ηλεκτρικό εργαλείο άτομα που δεν είναι εξοικειωμένα με αυτό ή άτομα που δεν έχουν διαβάσει αυτές τις οδηγίες χρήσης.** Τα ηλεκτρικά εργαλεία είναι επικίνδυνα στα χέρια μη εκπαιδευμένων χρηστών.
- ε. Να συντηρείτε τα ηλεκτρικά εργαλεία. Ελέγχετε για προβλήματα ευθυγράμμισης ή μάγκωμα των κινούμενων εξαρτημάτων, θραύση εξαρτημάτων, καθώς και για οποιοδήποτε άλλο πρόβλημα μπορεί να επηρεάσει τη λειτουργία των ηλεκτρικών εργαλείων. Αν το εργαλείο έχει υποστεί ζημιά, φροντίστε να επισκευαστεί πριν το χρησιμοποιήσετε.** Η ανεπαρκής συντήρηση των ηλεκτρικών εργαλείων αποτελεί αιτία πολλών ατυχημάτων.

στ. Διατηρείτε τα εργαλεία κοπής κοφτερά και καθαρά. Τα κατάλληλα συντηρημένα εργαλεία κοπής με αιχμηρά άκρα κοπής έχουν μικρότερες πιθανότητες να μαγκώσουν και ελέγχονται ευκολότερα.

ζ. Να χρησιμοποιείτε το ηλεκτρικό εργαλείο, τα αξεσουάρ και τις μύτες των εργαλείων κλπ. σύμφωνα με τις παρούσες οδηγίες, λαμβάνοντας υπόψη σας τις συνθήκες εργασίας και την εργασία που θέλετε να εκτελέσετε. Η χρήση του ηλεκτρικού εργαλείου για εργασίες διαφορετικές από τις προβλεπόμενες θα μπορούσε να οδηγήσει σε επικίνδυνη κατάσταση.

5. Σέρβις

α. Το σέρβις του ηλεκτρικού σας εργαλείου πρέπει να το αναλαμβάνει έμπειρος τεχνικός που χρησιμοποιεί μόνο γνήσια ανταλλακτικά. Έτσι θα εξασφαλίσετε τη διατήρηση της ασφάλειας του ηλεκτρικού εργαλείου.

Συμπληρωματικές προειδοποιήσεις ασφαλείας για ηλεκτρικά εργαλεία



Προειδοποίηση! Πρόσθετες προειδοποιήσεις ασφαλείας για εργασίες τροχίσματος, γυαλοχαρτίσματος, γυαλισματος ή κοπής με λείανση

- ◆ Αυτό το ηλεκτρικό εργαλείο προορίζεται για εργασίες τροχίσματος, γυαλοχαρτίσματος, γυαλισματος ή κοπής. Διαβάστε όλες τις προειδοποιήσεις ασφαλείας, τις οδηγίες, τις απεικονίσεις και τις προδιαγραφές που συνοδεύουν αυτό το ηλεκτρικό εργαλείο. Η μη τήρηση οποιασδήποτε από τις οδηγίες που αναφέρονται πιο κάτω μπορεί να έχει ως αποτέλεσμα ηλεκτροπληξία, πυρκαγιά και/ή σοβαρό τραυματισμό.
- ◆ Οι εργασίες για τις οποίες δεν έχει σχεδιαστεί το εργαλείο μπορεί να δημιουργήσουν κίνδυνο και να προκαλέσουν σωματική βλάβη.
- ◆ Μη χρησιμοποιείτε αξεσουάρ τα οποία δεν είναι ειδικά σχεδιασμένα και δεν συνιστώνται από τον κατασκευαστή του εργαλείου. Απλά επειδή το αξεσουάρ μπορεί να προσαρτηθεί στο ηλεκτρικό σας εργαλείο, αυτό δεν εξασφαλίζει την ασφαλή λειτουργία.
- ◆ Η ονομαστική ταχύτητα του αξεσουάρ πρέπει να είναι τουλάχιστον ίση με τη μέγιστη ταχύτητα που είναι επισημασμένη πάνω στο ηλεκτρικό εργαλείο. Αξεσουάρ που περιστρέφονται ταχύτερα από την ονομαστική τους ταχύτητα μπορεί να σπάσουν και τα θραύσματά τους να εκτιναχτούν.
- ◆ Η εξωτερική διάμετρος και το πάχος του αξεσουάρ σας πρέπει να είναι εντός της ονομαστικής χωρητικότητας του ηλεκτρικού εργαλείου σας. Δεν είναι εφικτή η επαρκής προφύλαξη ή έλεγχος για αξεσουάρ λανθασμένου μεγέθους.

- ◆ Η βιδωτή βάση των αξεσουάρ πρέπει να ταιριάζει με το σπείρωμα του άξονα του εργαλείου τροχού. Για αξεσουάρ που στερεώνονται με φλάντζες, η οπή ατράκτου του αξεσουάρ πρέπει να ταιριάζει με τη διάμετρο τοποθέτησης της φλάντζας. Αξεσουάρ που δεν ταιριάζουν με τα υλικά στερέωσης του ηλεκτρικού εργαλείου θα κινούνται εκτός ζυγοστάθμισης, θα δονούνται υπερβολικά και μπορεί να γίνουν αιτία απώλειας του ελέγχου.
- ◆ Μη χρησιμοποιήσετε αξεσουάρ που έχει υποστεί ζημιά. Πριν από κάθε χρήση, επιθεωρείτε το αξεσουάρ, όπως τροχούς λείανσης, για εκλεπίσεις και ρωγμές, το πέλμα στήριξης για ρωγμές, σχίσμο ή υπερβολική φθορά, για αποκολλημένα ή ραγισμένα σώματα. Αν πέσει κάτω το ηλεκτρικό εργαλείο ή το αξεσουάρ, ελέγξτε το αξεσουάρ προσεκτικά για ζημιά ή εγκαταστήστε αξεσουάρ που δεν έχει υποστεί ζημιά. Μετά την επιθεώρηση και την εγκατάσταση ενός αξεσουάρ, λειτουργείτε το ηλεκτρικό εργαλείο για ένα λεπτό στη μέγιστη ταχύτητα χωρίς φορτίο. Τα αξεσουάρ που έχουν υποστεί ζημιά κανονικά θα διαλυθούν στη διάρκεια αυτού του χρόνου δοκιμής.
- ◆ Φοράτε ατομικό εξοπλισμό προστασίας. Ανάλογα με την εφαρμογή, χρησιμοποιείτε προστατευτικό προσώπου, ειδικά προστατευτικά γυαλιά ή γυαλιά ασφαλείας. Φοράτε, όπως ενδείκνυται, μάσκα κατά της σκόνης, προστατευτικά ακοής, γάντια και ποδιά συνεργείου ικανή να σταματά θραύσματα από τον τροχό λείανσης ή το τεμάχιο εργασίας. Τα προστατευτικά ματιών πρέπει να έχουν την ικανότητα να σταματούν εκτινασσόμενα σωματίδια που παράγονται από διάφορες εργασίες. Η μάσκα ή η αναπνευστική συσκευή πρέπει να έχει την ικανότητα να φιλτράρει σωματίδια που παράγονται από την εργασία σας. Η παρατεταμένη έκθεση σε θόρυβο υψηλής έντασης μπορεί να προκαλέσει μόνιμη βλάβη της ακοής.
- ◆ Κρατάτε τους παρειρισκόμενους σε ασφαλή απόσταση από την περιοχή εργασίας. Οποιοσδήποτε εισέρχεται στην περιοχή εργασίας πρέπει να φορά εξοπλισμό προστασίας. Θραύσματα του τεμαχίου εργασίας ή σπασμένοι αξεσουάρ μπορεί να εκτιναχτούν και να προκαλέσουν τραυματισμό πέρα από την άμεση περιοχή όπου εκτελείται η εργασία.
- ◆ Κρατάτε το ηλεκτρικό εργαλείο από μονωμένες επιφάνειες λαβής όταν εκτελείτε μια εργασία όπου το αξεσουάρ κοπής μπορεί να έρθει σε επαφή με αθάατα καλώδια ή με το ίδιο του το καλώδιο. Αν το ηλεκτρικό εργαλείο κόψει καλώδιο υπό τάση μπορεί να θεθούν υπό ηλεκτρική τάση και τα εκτεθειμένα μεταλλικά μέρη του εργαλείου και να προκληθεί ηλεκτροπληξία στο χειριστή.

- ◆ Διευθετήστε το καλώδιο μακριά από το περιστρεφόμενο αξεσουάρ. Αν χάσετε τον έλεγχο, το καλώδιο μπορεί να κοπεί ή να μπλεχτεί και το κάτω ή το πάνω τμήμα του χεριού σας μπορεί τραβηχτεί πάνω στο περιστρεφόμενο αξεσουάρ.
- ◆ Ποτέ μην αφήσετε κάτω το ηλεκτρικό εργαλείο αν πρώτα δεν έχει σταματήσει τελείως να κινείται το αξεσουάρ. Το περιστρεφόμενο αξεσουάρ μπορεί να έρθει σε επαφή με την επιφάνεια και να ακινητοποιηθεί σε αυτή, με αποτέλεσμα το ηλεκτρικό εργαλείο να τραβηχτεί εκτός ελέγχου σας.
- ◆ Μην έχετε ή θέτετε σε λειτουργία το ηλεκτρικό εργαλείο ενώ το μεταφέρετε στο πλευρό σας. Τυχόν αθέλητη επαφή με το περιστρεφόμενο αξεσουάρ θα μπορούσε να πιάσει τα ρούχα σας, τραβώντας το αξεσουάρ προς το σώμα σας.
- ◆ Καθαρίζετε τακτικά τα ανοίγματα αέρα του ηλεκτρικού εργαλείου. Ο ανεμιστήρας του μοτέρ θα τραβήξει τη σκόνη μέσα στο περιβλήμα και η υπερβολικά μεγάλη συγκέντρωση σκόνης μετάλλου μπορεί να προκαλέσει κινδύνους από το ηλεκτρικό ρεύμα.
- ◆ Μη χρησιμοποιείτε το ηλεκτρικό εργαλείο κοντά σε εύφλεκτα υλικά. Αυτά τα υλικά θα μπορούσαν να αναφλεγούν από σπινθήρες.
- ◆ Μη χρησιμοποιείτε αξεσουάρ για τα οποία απαιτείται ψύξη με ψυκτικά υγρά. Η χρήση νερού ή άλλων υγρών ψυκτικών μπορεί να προκαλέσει ηλεκτροπληξία που ίσως αποβεί θανατηφόρα.

ΣΗΜΕΙΩΣΗ: Η παραπάνω προειδοποίηση δεν έχει εφαρμογή σε ηλεκτρικά εργαλεία που έχουν σχεδιαστεί ειδικά για χρήση με σύστημα υγρού.

Ανάδραση και σχετικές προειδοποιήσεις

Η ανάδραση είναι μια αιφνίδια αντίδραση σε ένα περιστρεφόμενο τροχό, ένα πέλμα στήριξης, μια βούρτσα ή οποιοδήποτε άλλο αξεσουάρ έχει σφηνώσει ή μαγκώσει. Το σφηνώμα ή το μάγκωμα προκαλεί ταχύτατη ακινητοποίηση του περιστρεφόμενου αξεσουάρ, κάτι που κάνει το μη ελεγχόμενο ηλεκτρικό εργαλείο να περιστραφεί σε κατεύθυνση αντίθετη με την κατεύθυνση περιστροφής του αξεσουάρ στο σημείο της ακινητοποίησης.

Για παράδειγμα, αν ένας τροχός λείανσης μαγκώσει ή σφηνώσει στο τεμάχιο εργασίας, το άκρο του τροχού που εισέρχεται στο σημείο του σφηνώματος μπορεί να σκαλώσει στην επιφάνεια του υλικού κάνοντας τον τροχό να ανέβει προς τα έξω ή να τιναχτεί προς τα έξω. Ο τροχός μπορεί να τιναχτεί είτε προς την κατεύθυνση του χειριστή είτε αντίθετα, ανάλογα με την κατεύθυνση κίνησης του τροχού στο σημείο της ακινητοποίησης.

Οι τροχοί λείανσης μπορεί επίσης να σπάσουν υπό αυτές τις συνθήκες.

Η ανάδραση είναι το αποτέλεσμα κακής χρήσης του ηλεκτρικού εργαλείου και/ή λανθασμένων διαδικασιών ή συνθηκών χειρισμού και μπορεί να αποφευχθεί με τη λήψη κατάλληλων μέτρων προφύλαξης, όπως αναφέρεται πιο κάτω.

- ◆ Διατηρείτε σταθερό κράτημα του ηλεκτρικού εργαλείου και τοποθετείτε το σώμα και το χέρι σας έτσι ώστε να μπορείτε να αντισταθείτε στις δυνάμεις της ανάδρασης. Πάντα να χρησιμοποιείτε τη βοηθητική λαβή, αν παρέχεται, για μέγιστο έλεγχο έναντι της ανάδρασης ή της αντίδρασης στη ροπή που αναπτύσσεται κατά την έναρξη λειτουργίας. Ο χειριστής μπορεί να ελέγξει τις αντιδράσεις στη ροπή ή τις δυνάμεις ανάδρασης, αν λαμβάνονται κατάλληλα μέτρα προφύλαξης.
- ◆ Ποτέ μην τοποθετείτε το χέρι σας κοντά στο περιστρεφόμενο αξεσουάρ. Το αξεσουάρ μπορεί κατά την ανάδραση να κινηθεί πάνω στο χέρι σας.
- ◆ Μην τοποθετείτε το σώμα σας στην περιοχή όπου θα κινηθεί το ηλεκτρικό εργαλείο αν προκύψει ανάδραση. Η ανάδραση θα κινήσει το εργαλείο σε κατεύθυνση αντίθετη με την κίνηση του τροχού στο σημείο της ακινητοποίησης.
- ◆ Προσέχετε ιδιαίτερα όταν επεξεργάζεστε γωνίες, αιχμηρά άκρα κλπ. Αποφεύγετε την αναπήδηση και το μάγκωμα του αξεσουάρ. Οι γωνίες, τα αιχμηρά άκρα ή η αναπήδηση τείνουν να προκαλέσουν μάγκωμα του αξεσουάρ και να προκαλέσουν απώλεια του ελέγχου ή ανάδραση.
- ◆ Μη συνδέσετε στο εργαλείο λεπίδα ξυλογλυπτικής με αλυσίδα ή οδοντωτή λεπίδα πριονιού. Αυτού του είδους οι λεπίδες δημιουργούν συχνή ανάδραση και απώλεια του ελέγχου.

Προειδοποιήσεις ασφαλείας ειδικά για εργασίες Προειδοποιήσεις ασφαλείας ειδικά για εργασίες τροχίσματος και κοπής με λείανση:

- ◆ Χρησιμοποιείτε μόνο τύπους τροχών που συνιστώνται για το ηλεκτρικό εργαλείο σας και το συγκεκριμένο προστατευτικό που έχει σχεδιαστεί για τον επιλεγμένο τροχό. Για τροχούς για τους οποίους δεν έχει σχεδιαστεί το ηλεκτρικό εργαλείο δεν μπορεί να επιτευχθεί επαρκής προστασία και επομένως αυτοί δεν είναι ασφαλείς.
- ◆ Η επιφάνεια τροχίσματος σε τροχούς βυθισμένου κέντρου πρέπει να τοποθετείται κάτω από το επίπεδο του χείλους του προστατευτικού. Ένας ακατάλληλα τοποθετημένος τροχός που προεξέχει από το επίπεδο του χείλους προφυλακτήρα δεν επιτρέπει επαρκή προστασία.
- ◆ Το προστατευτικό πρέπει να είναι προσαρτημένο στέρεα στο ηλεκτρικό εργαλείο και να έχει ρυθμιστεί η θέση του για μέγιστη ασφάλεια, ώστε ο χειριστής να είναι εκτεθειμένος σε όσο το δυνατόν μικρότερο μέρος

του τροχού. Το προστατευτικό βοηθά να προστατεύεται ο χειριστής από θραύσματα λόγω ενδεχόμενης θραύσης του τροχού, από κατά λάθος επαφή με τον τροχό και από σπινθήρες οι οποίοι θα μπορούσαν να προκαλέσουν ανάφλεξη σε ρουχισμό.

- ◆ Οι τροχοί πρέπει να χρησιμοποιούνται μόνο για τις συνιστώμενες εφαρμογές. Για παράδειγμα: μην τροχίζετε με το πλάι του τροχού κοπής. Οι λειαντικοί τροχοί κοπής προορίζονται για τρόχιση με την περιφέρεια μόνο και αν εφαρμοστούν πλευρικές δυνάμεις στους τροχούς αυτούς, μπορεί να προκληθεί θραύση τους.
- ◆ Πάντα να χρησιμοποιείτε φλάντζες τροχών που δεν έχουν ζημιές και είναι του σωστού μεγέθους και σχήματος για τον τροχό που έχετε επιλέξει. Οι σωστές φλάντζες τροχού υποστηρίζουν τον τροχό, μειώνοντας έτσι την πιθανότητα θραύσης του. Οι φλάντζες για τροχούς κοπής μπορεί να είναι διαφορετικές από τις φλάντζες για τροχούς τροχίσματος.
- ◆ Μη χρησιμοποιείτε φαρμαμένους τροχούς από μεγαλύτερα ηλεκτρικά εργαλείο δεν είναι κατάλληλος για τη μεγαλύτερη ταχύτητα ενός μικρότερου εργαλείου και μπορεί να σπάσει.

Πρόσθετες προειδοποιήσεις ασφαλείας ειδικά για εργασίες κοπής με λείανση

- ◆ Μη “σφηνώνετε” τον τροχό κοπής και μην εφαρμόζετε υπερβολική πίεση. Μην επιχειρείτε να πραγματοποιήσετε υπερβολικό βάθος κοπής. Η υπερβολική καταπόνηση του τροχού αυξάνει το φορτίο και την ευπάθεια σε συστροφή ή μάγκωμα του τροχού μέσα στην κοπή και την πιθανότητα ανάδρασης ή θραύσης του τροχού.
- ◆ Μην τοποθετείτε το σώμα σας σε ευθεία με ή πίσω από τον περιστρεφόμενο τροχό. Αν ο τροχός, στο σημείο χρήσης του, κινείται μακριά από το σώμα σας, μια πιθανή ανάδραση (κλώτσημα) μπορεί να κάνει τον περιστρεφόμενο τροχό και το ηλεκτρικό εργαλείο να πιναχτούν κατευθείαν προς το μέρος σας.
- ◆ Όταν μαγκώνει ο τροχός ή όταν διακόπτετε μια κοπή για οποιονδήποτε λόγο, απενεργοποιείτε το ηλεκτρικό εργαλείο και κρατάτε το εργαλείο ακίνητο έως ότου ο τροχός ακινητοποιηθεί τελείως. Ποτέ μην επιχειρήσετε να αφαιρέσετε τον τροχό κοπής από την κοπή ενώ ο τροχός κινείται, διαφορετικά μπορεί να προκύψει ανάδραση. Διερευνήστε και πάρτε διορθωτικά μέτρα για να εξαλείψετε το αίτιο του μαγκώματος του τροχού.
- ◆ Μην επανεκκινήσετε την εργασία κοπής από μέσα από το τεμάχιο εργασίας. Αφήστε πρώτα τον τροχό να φθάσει σε πλήρη ταχύτητα και προσεκτικά

εισάγετε τον πάλι στην κοπή. Ο τροχός μπορεί να μαγκώσει, να κινηθεί προς το μέρος σας ή να παρουσιάσει ανάδραση (κλώτσημα) αν το ηλεκτρικό εργαλείο επανεκκινηθεί ενώ είναι μέσα στο τεμάχιο εργασίας.

- ◆ **Να υποστηρίζετε τα μεγάλα φύλλα ή τα υπερμεγέθη τεμάχια εργασίας ώστε να ελαχιστοποιείτε τον κίνδυνο σφηνώματος και ανάδρασης του τροχού.** Τα μεγάλα τεμάχια εργασίας τείνουν να κάμπτονται υπό το ίδιο τους το βάρος. Τα στηρίγματα πρέπει να τοποθετούνται κάτω από το τεμάχιο εργασίας κοντά στη γραμμή κοπής και κοντά στο άκρο του τεμαχίου εργασίας και στις δύο πλευρές του τροχού.
- ◆ **Να είστε εξαιρετικά προσεκτικοί όταν δημιουργείτε “κοπή εσωτερικού ανοίγματος” σε υπάρχοντες τοίχους ή άλλες τυφλές περιοχές.** Ο τροχός που προσέχει μπορεί να κόψει σωλήνες αερίου ή νερού, ηλεκτρικά καλώδια ή αντικείμενα που μπορεί να προκαλέσουν ανάδραση.

Προειδοποιήσεις ασφαλείας ειδικά για εργασίες γυαλοχαρτίσματος

- ◆ **Μη χρησιμοποιείτε υπερβολικά υπερμεγέθους χαρτί δίσκου γυαλοχαρτίσματος.** Τηρείτε τις υποδείξεις του κατασκευαστή όταν επιλέγετε γυαλόχαρτο. Το μεγάλο γυαλόχαρτο που εκτείνεται πέρα από το πέλμα γυαλοχαρτίσματος δημιουργεί κίνδυνο κοψίματος και μπορεί να προκαλέσει μάγκωμα, σχίσιμο του δίσκου ή ανάδραση.

Προειδοποιήσεις ασφαλείας ειδικά για εργασίες γυαλίσματος

- ◆ **Μην επιτρέψετε σε κανένα χαλαρωμένο τμήμα της κεφαλής γυαλίσματος ή των κορδονιών σύνδεσής της να περιστρέφονται ανεξέλεγκτα. Στερεώστε τα μέσα στην κεφαλή ή κόψτε τυχόν ελεύθερα κορδόνια σύνδεσης.** Τα ελεύθερα κορδόνια σύνδεσης που περιστρέφονται μπορούν να πιάσουν τα δάχτυλά σας ή να πιαστούν στο τεμάχιο εργασίας και να συσφιχτούν.

Ασφάλεια τρίτων

- ◆ Η συσκευή αυτή δεν προορίζεται για χρήση από άτομα (περιλαμβανομένων παιδιών) με μειωμένες σωματικές, αισθητηριακές ή πνευματικές ικανότητες, ή με έλλειψη εμπειρίας και γνώσης, εκτός αν σε αυτά έχει παρασχεθεί από άτομο υπεύθυνο για την ασφάλειά τους επίβλεψη ή εκπαίδευση σχετικά με τη χρήση της συσκευής.
- ◆ Τα παιδιά πρέπει να επιτηρούνται, ώστε να διασφαλίζεται ότι δεν παίζουν με τη συσκευή.

Υπολειπόμενοι κίνδυνοι.

Κατά τη χρήση του εργαλείου μπορεί να δημιουργηθούν επιπρόσθετοι υπολειπόμενοι κίνδυνοι, οι οποίοι ενδέχεται να μη συμπεριλαμβάνονται στις προειδοποιήσεις ασφαλείας που εσωκλείονται. Αυτοί οι κίνδυνοι μπορεί να προκληθούν από κακή χρήση, παρατεταμένη χρήση κλπ. Παρά την εφαρμογή των σχετικών κανονισμών ασφαλείας και τη χρήση διατάξεων ασφαλείας, ορισμένοι υπολειπόμενοι κίνδυνοι δεν είναι δυνατοί να αποφευχθούν. Σ' αυτούς περιλαμβάνονται:

- ◆ **Τραυματισμοί από επαφή με οποιαδήποτε περιστρεφόμενα/κινούμενα μέρη.**
- ◆ **Τραυματισμοί κατά την αλλαγή οποιωνδήποτε εξαρτημάτων, λεπίδων ή αξεσουάρ.**
- ◆ **Σωματικές βλάβες από παρατεταμένη χρήση του εργαλείου. Όταν χρησιμοποιείτε οποιοδήποτε εργαλείο για παρατεταμένα χρονικά διαστήματα, να μην παραλείπετε με κανένα τρόπο να κάνετε τακτικά διαλείμματα.**
- ◆ **Βλάβη της ακοής.**
- ◆ **Κίνδυνοι για την υγεία λόγω εισπνοής σκόνης που αναπτύσσεται κατά τη χρήση του εργαλείου σας (παραδείγματα: εργασία με ξύλο, ειδικά βελανιδιά, οξιά και MDF.)**

Κραδασμοί

Η δηλωμένη τιμή εκπομπής κραδασμών που αναφέρεται στα τεχνικά χαρακτηριστικά και τη δήλωση συμμόρφωσης έχει μετρηθεί σύμφωνα με τυποποιημένη μέθοδο δοκιμής που παρέχεται από το πρότυπο EN60745 και μπορεί να χρησιμοποιηθεί για τη σύγκριση ενός εργαλείου με ένα άλλο. Η δηλωμένη τιμή εκπομπής κραδασμών μπορεί επίσης να χρησιμοποιηθεί σε έναν προκαταρκτικό προσδιορισμό της έκθεσης σε κραδασμούς.

Προειδοποίηση! Η τιμή εκπομπής κραδασμών κατά την πραγματική χρήση του ηλεκτρικού εργαλείου μπορεί να διαφέρει από τη δηλωμένη τιμή, ανάλογα με τον τρόπο που χρησιμοποιείται το εργαλείο. Το επίπεδο κραδασμών μπορεί να αυξηθεί πάνω από το επίπεδο που έχει δηλωθεί. Κατά τον προσδιορισμό της έκθεσης σε κραδασμούς για τον καθορισμό των απαιτούμενων μέτρων ασφαλείας σύμφωνα με την οδηγία 2002/44/EK για την προστασία προσώπων που χρησιμοποιούν συχνά ηλεκτρικά εργαλεία στην εργασία τους, μια προσεγγιστική εκτίμηση της έκθεσης σε κραδασμούς πρέπει να λαμβάνει υπόψη τις πραγματικές συνθήκες χρήσης και τον τρόπο χρήσης του εργαλείου, συμπεριλαμβανομένων και όλων των επιμέρους τμημάτων του κύκλου εργασίας, όπως πόσες φορές τέθηκε το εργαλείο εκτός λειτουργίας, πότε είναι σε λειτουργία χωρίς φορτίο επιπλέον του χρόνου πίεσης της σκανδάλης.

Ετικέτες πάνω στο εργαλείο

Τα εικονογράμματα που ακολουθούν καθώς και ο κωδικός ημερομηνίας εμφανίζονται πάνω στο εργαλείο:



Προειδοποίηση! Για να μειωθεί ο κίνδυνος τραυματισμού, ο χρήστης πρέπει να διαβάσει το εγχειρίδιο οδηγιών.



Φοράτε γυαλιά ασφαλείας ή ειδικά προστατευτικά γυαλιά όταν χρησιμοποιείτε αυτό το εργαλείο.



Φοράτε προστασία ακοής όταν χρησιμοποιείτε αυτό το εργαλείο.

Ασφαλής χρήση ηλεκτρικού ρεύματος



Αυτό το εργαλείο φέρει διπλή μόνωση και επομένως δεν απαιτείται καλώδιο γείωσης. Ελέγχετε πάντα ότι η παροχή ρεύματος αντιστοιχεί στην τάση που αναφέρεται στην πινακίδα στοιχείων.

- ♦ Αν έχει υποστεί ζημιά το καλώδιο τροφοδοσίας, αυτό πρέπει να αντικατασταθεί από τον κατασκευαστή ή από εξουσιοδοτημένο κέντρο σέρβις Stanley Fat Max, ώστε να αποφευχθούν τυχόν κίνδυνοι.

Χαρακτηριστικά

Στο εργαλείο αυτό διατίθενται ορισμένα ή όλα τα παρακάτω χαρακτηριστικά.

1. Διακόπτης ενεργοποίησης/απενεργοποίησης (on/off)
2. Πλευρική λαβή
3. Ασφάλεια άξονα
4. Προστατευτικό τροχίσματος

Συναρμολόγηση

Προειδοποίηση! Πριν από τη συναρμολόγηση, βεβαιωθείτε ότι το εργαλείο είναι απενεργοποιημένο και ότι το φως δεν είναι συνδεδεμένο στην πρίζα.

Τοποθέτηση και αφαίρεση του προστατευτικού (εικ. Α)

Το εργαλείο συνοδεύεται από ένα προστατευτικό που προορίζεται για χρήσεις τροχίσματος και χρήσεις κοπής. Βεβαιωθείτε ότι χρησιμοποιείται το σωστό προστατευτικό που είναι ειδικά για την προβλεπόμενη εργασία. Αν η μονάδα προορίζεται για εκτέλεση εργασιών κοπής, πρέπει να τοποθετηθεί ένα προστατευτικό (17, Εικ. F) ειδικό για αυτόν τον τύπο εργασίας.

Τοποθέτηση

- ♦ Τοποθετήστε το εργαλείο σε ένα τραπέζι, με τον άξονα (5) στραμμένο προς τα πάνω.

- ♦ Απελευθερώστε την ασφάλιση σφιγκτήρα (7) και κρατήστε το προστατευτικό (4) πάνω από το εργαλείο όπως δείχνει η εικόνα.
- ♦ Ευθυγραμμίστε τις ωτίδες (8) με τις εγκοπές (9).
- ♦ Πιέστε το προστατευτικό προς τα κάτω και περιστρέψτε το αριστερόστροφα έως ότου βρεθεί στην απαιτούμενη θέση.
- ♦ Απελευθερώστε την ασφάλιση σφιγκτήρα (7) για να ασφαλίσετε το προστατευτικό στο εργαλείο.
- ♦ Αν χρειαστεί, σφίξτε τη βίδα (6) για να αυξήσετε τη δύναμη σύσφιξης.

Αφαίρεση

- ♦ Ελευθερώστε την ασφάλιση σφιγκτήρα (7).
- ♦ Περιστρέψτε το προστατευτικό δεξιόστροφα για να ευθυγραμμίσετε τις ωτίδες (8) με τις εγκοπές (9).
- ♦ Αφαιρέστε το προστατευτικό από το εργαλείο.

Προειδοποίηση! Ποτέ μη χρησιμοποιήσετε το εργαλείο χωρίς το προστατευτικό.

Τοποθέτηση της πλευρικής λαβής

- ♦ Βιδώστε την πλευρική λαβή (2) σε μία από τις οπές στερέωσης στο εργαλείο.

Προειδοποίηση! Πάντα να χρησιμοποιείτε την πλευρική λαβή.

Τοποθέτηση και αφαίρεση δίσκων τροχίσματος ή κοπής (εικ. Β - D)

Πάντα να χρησιμοποιείτε το σωστό τύπο δίσκου για την εφαρμογή σας. Πάντα να χρησιμοποιείτε δίσκους με τη σωστή διάμετρο και μέγεθος οπής (βλέπε τα τεχνικά χαρακτηριστικά).

Τοποθέτηση

- ♦ Τοποθετήστε το προστατευτικό όπως περιγράφηκε πιο πάνω.
- ♦ Τοποθετήστε την εσωτερική φλάντζα (10) πάνω στον άξονα (5) όπως δείχνει η εικόνα (εικ. Β). Βεβαιωθείτε ότι η φλάντζα έχει πάρει τη σωστή θέση πάνω στις επίπεδες πλευρές του άξονα.
- ♦ Τοποθετήστε το δίσκο (11) πάνω στον άξονα (5) όπως δείχνει η εικόνα (εικ. Β). Αν ο δίσκος έχει ανυψωμένο κέντρο (12), βεβαιωθείτε ότι το ανυψωμένο κέντρο είναι στραμμένο προς την εσωτερική φλάντζα.
- ♦ Βεβαιωθείτε ότι ο δίσκος έχει πάρει τη σωστή θέση πάνω στην εσωτερική φλάντζα.
- ♦ Τοποθετήστε την εξωτερική φλάντζα (13) πάνω στον άξονα. Όταν τοποθετείτε ένα δίσκο τροχίσματος, το ανυψωμένο κέντρο στην εξωτερική φλάντζα πρέπει να είναι στραμμένο προς το δίσκο (Α στην εικ. C). Όταν τοποθετείτε ένα δίσκο κοπής, το ανυψωμένο κέντρο στην εξωτερική φλάντζα πρέπει να είναι στραμμένο αντίθετα με το δίσκο (Β στην εικ. C).

- ◆ Κρατήστε την ασφάλεια άξονα (3) πατημένη και σφίξτε την εξωτερική φλάντζα χρησιμοποιώντας το κλειδί δύο πείρων (14) (εικ. D).

Αφαίρεση

- ◆ Κρατήστε την ασφάλεια άξονα (3) πατημένη και λασκάρτε την εξωτερική φλάντζα (13) χρησιμοποιώντας το κλειδί δύο πείρων (14) (εικ. D).
- ◆ Αφαιρέστε την εξωτερική φλάντζα (13) και το δίσκο (11).

Τοποθέτηση και αφαίρεση δίσκων γυαλοχαρτίσματος (εικ. D & E)

Για τις εργασίες γυαλοχαρτίσματος χρειάζεται και ένα πέλημα στήριξης. Το πέλημα στήριξης είναι διαθέσιμο από τον τοπικό σας αντιπρόσωπο Stanley Fat Max σαν αξεσουάρ.

Τοποθέτηση

- ◆ Τοποθετήστε την εσωτερική φλάντζα (10) πάνω στον άξονα (5) όπως δείχνει η εικόνα (εικ. E). Βεβαιωθείτε ότι η φλάντζα έχει πάρει τη σωστή θέση πάνω στις επίπεδες πλευρές του άξονα.
- ◆ Τοποθετήστε το πέλημα στήριξης (15) πάνω στον άξονα.
- ◆ Τοποθετήστε το δίσκο γυαλοχαρτίσματος (16) πάνω στο πέλημα στήριξης.
- ◆ Τοποθετήστε την εξωτερική φλάντζα (13) πάνω στον άξονα με το ανυψωμένο κέντρο στραμμένο αντίθετα με το δίσκο.
- ◆ Κρατήστε την ασφάλεια άξονα (3) πατημένη και σφίξτε την εξωτερική φλάντζα χρησιμοποιώντας το κλειδί δύο πείρων (14) (εικ. D). Βεβαιωθείτε ότι η εξωτερική φλάντζα έχει τοποθετηθεί σωστά και ότι ο δίσκος είναι σφιγμένος πολύ καλά.

Αφαίρεση

- ◆ Κρατήστε την ασφάλεια άξονα (3) πατημένη και λασκάρτε την εξωτερική φλάντζα (13) χρησιμοποιώντας το κλειδί δύο πείρων (14) (εικ. D).
- ◆ Αφαιρέστε την εξωτερική φλάντζα (13), το δίσκο γυαλοχαρτίσματος (16) και το πέλημα στήριξης (15).

Χρήση

Προειδοποίηση! Αφήστε το εργαλείο να λειτουργήσει με το δικό του ρυθμό. Μην το υπερφορτώνετε.

- ◆ Καθοδηγείτε προσεκτικά το καλώδιο για να αποφύγετε να το κόψετε κατά λάθος.
- ◆ Να είστε προετοιμασμένοι για ροή σπινθήρων όταν ο δίσκος τροχίσματος ή κοπής έρθει σε επαφή με το τεμάχιο εργασίας.
- ◆ Πάντα να τοποθετείτε το εργαλείο με τέτοιο τρόπο ώστε το προστατευτικό να προσφέρει τη βέλτιστη προστασία από το δίσκο τροχίσματος ή κοπής.

Ενεργοποίηση και απενεργοποίηση

- ◆ Για να ενεργοποιήσετε το εργαλείο, μετακινήστε το διακόπτη ενεργοποίησης/απενεργοποίησης (1) προς τα εμπρός και μετά πιέστε τον μέσα. Σημειώστε ότι το εργαλείο θα συνεχίσει να λειτουργεί όταν ελευθερώσετε το διακόπτη.
- ◆ Για να το απενεργοποιήσετε, πιέστε το πίσω τμήμα του διακόπτη ενεργοποίησης απενεργοποίησης.

Προειδοποίηση! Μην απενεργοποιείτε το εργαλείο όταν είναι υπό φορτίο.

Λειτουργία ομαλής εκκίνησης

Η λειτουργία ομαλής εκκίνησης επιτρέπει αργή αύξηση της ταχύτητας ώστε να αποφευχθεί η αρχική ανάδραση κατά την εκκίνηση. Αυτή η δυνατότητα είναι ιδιαίτερα χρήσιμη κατά τη λειτουργία σε περιορισμένους χώρους.

Λειτουργία No-Volt (αποτροπής επανεκκίνησης)

Η λειτουργία No-volt αποτρέπει την επανεκκίνηση του εργαλείου τροχού μετά από αποκατάσταση διακοπής ρεύματος, αν αυτό δεν απενεργοποιηθεί και ενεργοποιηθεί πάλι με το διακόπτη.

Συμβουλές για άριστη χρήση

- ◆ Κρατάτε σταθερά το εργαλείο με το ένα χέρι γύρω από την πλευρική λαβή και το άλλο χέρι γύρω από την κύρια λαβή.
- ◆ Κατά τη λείανση, πάντα να διατηρείτε γωνία περ. 15° ανάμεσα στο δίσκο και στην επιφάνεια του τεμαχίου εργασίας.

Συντήρηση

Αυτή η συσκευή/το εργαλείο Stanley Fat Max που λειτουργεί με καλώδιο/χωρίς καλώδιο έχει σχεδιαστεί έτσι ώστε να λειτουργεί για μεγάλη χρονική περίοδο με την ελάχιστη συντήρηση. Η συνεχής ικανοποιητική λειτουργία εξαρτάται από τη σωστή φροντίδα και τον τακτικό καθαρισμό του εργαλείου.

Προειδοποίηση! Πριν πραγματοποιήσετε οποιαδήποτε συντήρηση σε ηλεκτρικά εργαλεία με καλώδιο/χωρίς καλώδιο:

- ◆ Απενεργοποιήστε και αποσυνδέστε τη συσκευή/το εργαλείο από την πρίζα.
- ◆ Ή απενεργοποιήστε και αφαιρέστε το πακέτο μπαταρίας από τη συσκευή/το εργαλείο, εάν η συσκευή/το εργαλείο διαθέτει αφαιρούμενο πακέτο μπαταρίας.
- ◆ Ή χρησιμοποιήστε τη συσκευή μέχρι να εξαντληθεί πλήρως η μπαταρία, αν είναι ενσωματωμένη, και στη συνέχεια απενεργοποιήστε τη συσκευή.
- ◆ Πριν τον καθαρισμό του φορτιστή αποσυνδέστε τον από την πρίζα. Ο φορτιστής σας δεν χρειάζεται οποιαδήποτε συντήρηση πέραν του τακτικού καθαρισμού.

ΟΔΗΓΙΑ ΠΕΡΙ ΜΗΧΑΝΗΜΑΤΩΝ



FME821 / FME822 γωνιακός τροχός

Η Stanley Europe δηλώνει ότι αυτά τα προϊόντα που περιγράφονται στα "τεχνικά χαρακτηριστικά"

συμμορφώνονται με:

2006/42/EK, EN60745-1:2009 +A11:2010;

EN60745-2-3:2011 +A2:2013 +A11:2014 +A12:2014

για 2004/108/EK (μέχρι 19.04.2016) 2014/30/EE (από 20.04.2016) και 2011/65/EE. Για περισσότερες πληροφορίες, παρακαλείσθε να επικοινωνήσετε με την Black & Decker στην παρακάτω διεύθυνση ή να ανατρέξετε στο πίσω μέρος του χειριδριδίου.

Ο κάτωθι υπογεγραμμένος είναι υπεύθυνος για την κατάρτιση του τεχνικού φακέλου και δηλώνει τα παρόντα εκ μέρους της Stanley Europe.

Ray Laverick

Διευθυντής σχεδιασμού

Stanley Europe, Egide Walschaertsstraat14-18,

2800 Mechelen, Belgium

25/08/2015

- ◆ Να καθαρίζετε τακτικά τις εγχοπές εξαιρισμού της συσκευής/του εργαλείου/του φορτιστή χρησιμοποιώντας μια μαλακή βούρτσα ή ένα στεγνό πανί.
- ◆ Να καθαρίζετε τακτικά το περίβλημα του μοτέρ με ένα ελαφρά υγρό πανί. Μην χρησιμοποιείτε λειαντικά υγρά καθαρισμού ή καθαριστικά που περιέχουν διαλυτικά.
- ◆ Να ανοίγετε τακτικά το τσοκ (όταν είναι τοποθετημένο) και να το χτυπάτε ελαφρά για να αφαιρείτε τη σκόνη από το εσωτερικό του.

Προστασία του περιβάλλοντος



Χωριστή συλλογή. Τα προϊόντα και οι μπαταρίες που επισημαίνονται με αυτό το σύμβολο δεν πρέπει να απορρίπτονται μαζί με τα κανονικά οικιακά απορρίμματα.

Τα προϊόντα και οι μπαταρίες περιέχουν υλικά που μπορούν να ανακτηθούν ή να ανακυκλωθούν ώστε να μειωθούν οι ανάγκες για πρώτες ύλες. Παρακαλούμε να ανακυκλώνετε τα ηλεκτρικά προϊόντα και τις μπαταρίες σύμφωνα με τους τοπικούς κανονισμούς.

Τεχνικά χαρακτηριστικά

		FME821 (τύπος 1)	FME822 (τύπος 1)
Τάση εισόδου	V _{AC}	230	230
Κατανάλωση ισχύος	W	850	850
Ονομαστική ταχύτητα	min ⁻¹	12.000	12.000
Διάμετρος δίσκου	mm	115	125
Όπή δίσκου	mm	22	22
Μέγ. πάχος δίσκου			
δίσκοι τροχίσματος	mm	6	6
δίσκοι κοπής	mm	3,5	3,5
Μέγεθος άξονα		M14	M14
Βάρος	kg	2,1	2,1

L _{PA} (ηχητική πίεση) 94,5 dB(A), αβεβαιότητα (Κ) 3 dB(A)
L _{WA} (ηχητική Ισχύς) 105,5 dB(A), αβεβαιότητα (Κ) 3 dB(A)
Οι συνολικές τιμές κραδασμών (διανυσματικό άθροισμα τριών αξόνων) καθορίστηκαν σύμφωνα με το πρότυπο EN60745:
Τρόχισμα επιφάνειας (a _{h,SG}) 9,9 m/s ² , αβεβαιότητα (Κ) 1,5 m/s ²
Κοπή (a _n) 9,1 m/s ² , αβεβαιότητα (Κ) 1,5 m/s ²
Γυάλισμα (a _{h,p}) 5,0 m/s ² , αβεβαιότητα (Κ) 1,5 m/s ²
Γυαλοχάρτισμα με δίσκο (a _{h,DS}) 3,3 m/s ² , αβεβαιότητα (Κ) 1,5 m/s ²

Δήλωση συμμόρφωσης ΕΚ

Εγγύηση

Η Stanley Fat Max είναι σίγουρη για την ποιότητα των προϊόντων της και προσφέρει στους καταναλωτές εγγύηση* 12 μηνών από την ημερομηνία της αγοράς. Αυτή η εγγύηση αποτελεί πρόσθετο δικαίωμά σας και δεν ζημιώνει τα νόμιμα δικαιώματά σας. Η εγγύηση ισχύει εντός της επικράτειας των χωρών μελών της Ευρωπαϊκής Ένωσης και της Ευρωπαϊκής Ζώνης Ελεύθερων Συναλλαγών.

Για να υποβάλετε αξίωση βάσει της εγγύησης, η αξίωση πρέπει να είναι σύμφωνη με τους Όρους και προϋποθέσεις της Stanley Fat Max και θα χρειαστεί να υποβάλετε απόδειξη αγοράς στον πωλητή ή ένα εξουσιοδοτημένο αντιπρόσωπο σέρβις.

Μπορείτε να δείτε τους Όρους και προϋποθέσεις της εγγύησης 1 έτους της Stanley Fat Max και την τοποθεσία του πλησιέστερου εξουσιοδοτημένου αντιπροσώπου σέρβις, στο Internet στη διεύθυνση www.2helpU.com, ή επικοινωνώντας με το τοπικό σας γραφείο Stanley Fat Max στη διεύθυνση που υποδεικνύεται στο παρόν εγχειρίδιο.

Επισκεφθείτε τον ιστότοπό μας www.stanleytools.co.uk για να καταχωρίσετε το καινούργιο προϊόν Stanley Fat Max που αποκτήσατε και για να λαμβάνετε ενημερώσεις σχετικά με νέα προϊόντα και ειδικές προσφορές.

België/Belgique	Stanley Fat Max E. Walschaertstraat 14-16 2800 Mechelen Belgium	De. Tel. +32 70 220 065 Fr. Tel. +32 70 220 066 Fax +32 15 473 799 www.stanleytools.eu Enduser.be@SBDinc.com
Danmark	Stanley Fat Max Farveland 1B 2600 Glostrup	Tel. 70 20 15 10 Fax 70 22 49 10 www.stanleyworks.dk
Deutschland	Stanley Fat Max Richard Klinger Str. 11, D - 65510 Idstein	Tel. 06126 21-1 Fax 06126 21-2770
Ελλάδα	Stanley Fat Max. Στράβωνος 7 & Λεωφ. Βουλιαγμένης 159 Γλυφάδα 166 74 - Αθήνα	Τηλ. +30 210 8981-616 Φαξ +30 210 8983-285 www.stanleyworks.gr
España	Stanley Fat Max. Parc de Negocis "Mas Blau" Edificio Muntadas, c/Bergadá, 1, Of. A6 08820 El Prat de Llobregat (Barcelona)	Tel. 934 797 400 Fax 934 797 419 respuesta.postventa@sbdinc.com www.stanleyworks.es
France	Stanley Fat Max 5 allée des Hêtres B.P. 30084 69579 Limonest Cédex	Tel. 04 72 20 39 20 Fax 04 72 20 39 00 www.stanleyouillage.fr
Helvetia	Stanley Fat Max In der Luberzen 40 8902 Urdorf	Tel. 01 730 67 47 Fax 01 730 70 67 www.stanleyworks.de
Italia	Stanley Fat Max EnergyPark-Building 03 sud, Via Monza 7/A 20871 Vimercate (MB)	Tel. 039-9590200 Fax 039-9590313 www.stanley.it
Nederland	Stanley Fat Max Joulehof 12, 4600 RG Bergen op Zoom	Tel. +31 164 283 065 Fax +31 164 283 200 Enduser.NL@SBDinc.com
Norge	Stanley Fat Max Postboks 4613, Nydalen 0405 Oslo	Tlf. 45 25 13 00 Fax 45 25 08 00
Österreich	Stanley Fat Max Oberlaaerstraße 248, A-1230 Wien	Tel. 01 66116-0 Fax 01 66116-614 www.stanleyworks.de
Portugal	Stanley Fat Max Centro de Escritórios de Sintra Avenida Almirante Gago Coutinho, 132/134, Edifício 142710-418 Sintra 2710-418 Lisboa	Tel. 214667500 Fax 214667575 resposta.posvenda@sbdinc.com
Suomi	Stanley Fat Max Tekniikantie 12, 02150 Espoo	Puh. 010 400 430 Faksi 0800 411 340 www.stanleyworks.fi
Sverige	Stanley Fat Max Box 94, 431 22 Mölndal	Tel. 031-68 61 00 Fax 031-68 60 08
Türkiye	Stanley Fat Max KALE Hırdavat ve Makina A.Ş. Defterdar Mah. Savaklar Cad. No:15 Edirnekapı / Eyüp / İSTANBUL 34050	Puh. 0212 533 52 55 Faks 0212 533 10 05 www.stanleyworks.fi
United Kingdom	Stanley Fat Max 210 Bath Road Slough, Berkshire SL1 3YD	Tel. +44 (0)1753 511234 Fax +44 (0)1753 551155 www.stanleytools.co.uk
Middle East & Africa	Stanley Fat Max P.O.Box - 17164 Jebel Ali (South Zone), Dubai, UAE	Tel. +971 4 8127400 Fax +971 4 8127036 www.stanleyworks.ae