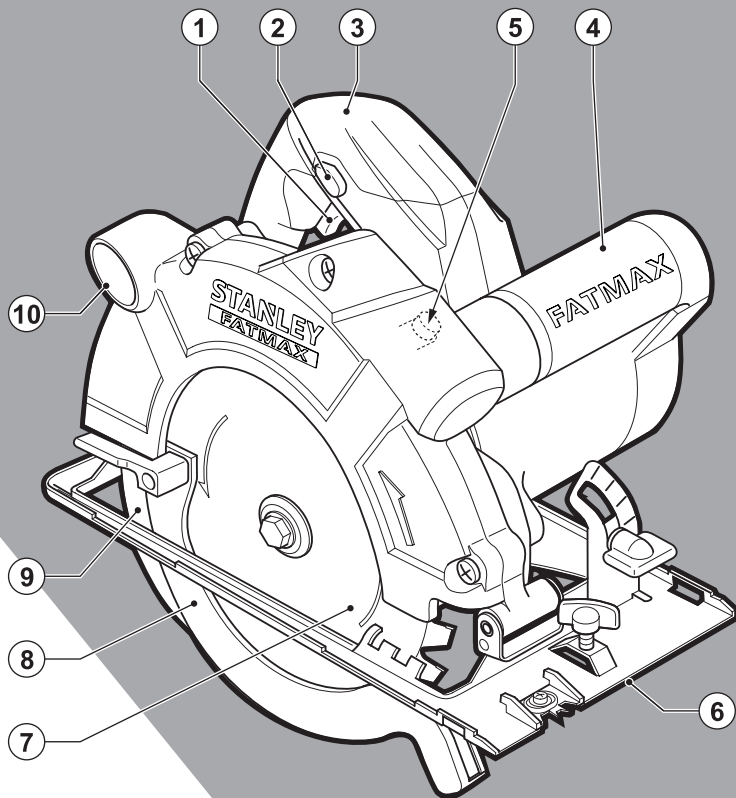


# STANLEY®

# FATMAX®



[www.stanley.eu](http://www.stanley.eu)

## FME300

EN

DE

FR

IT

NL

ES

PT

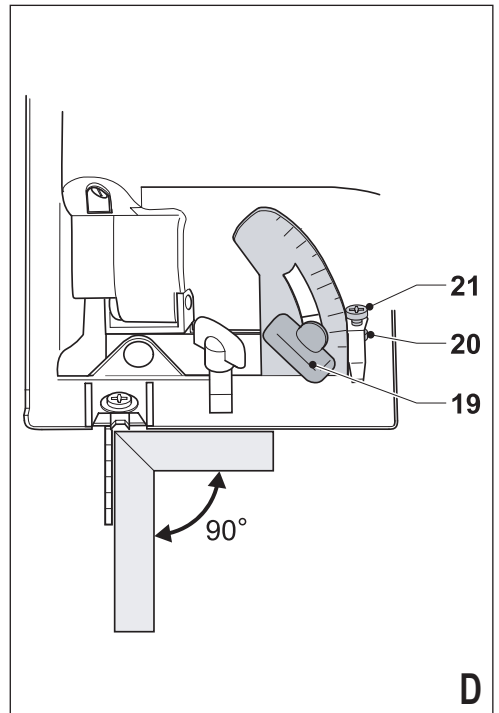
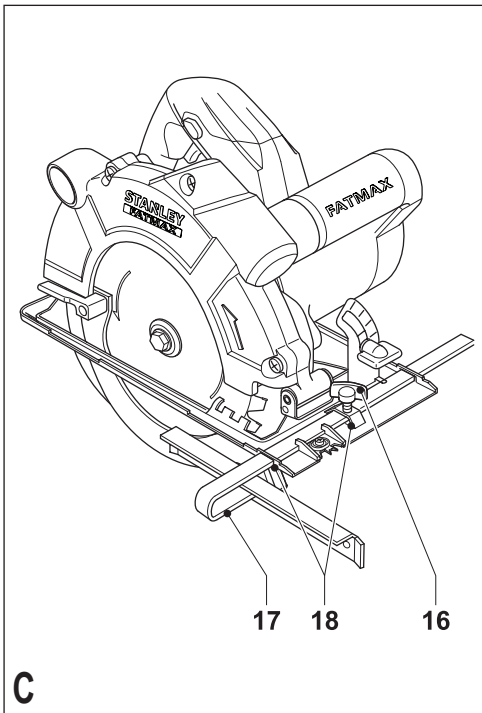
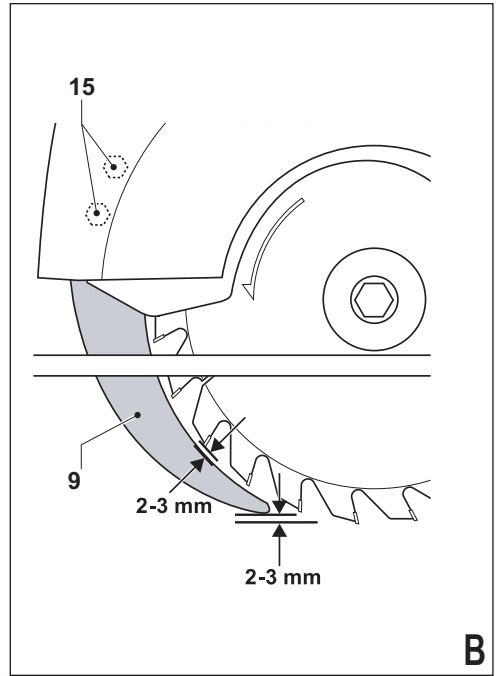
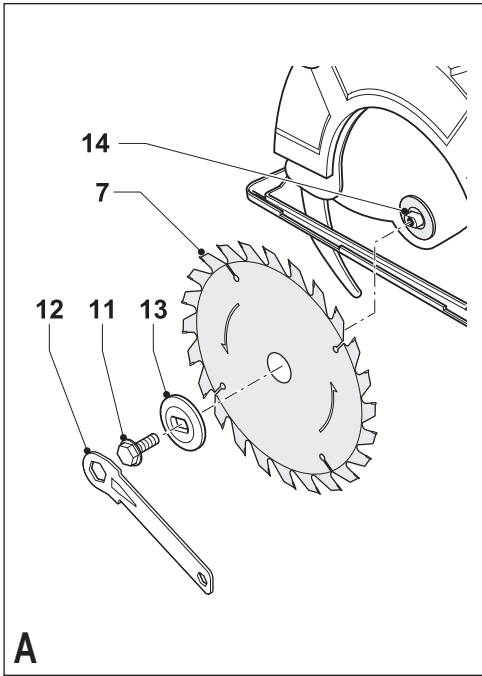
SV

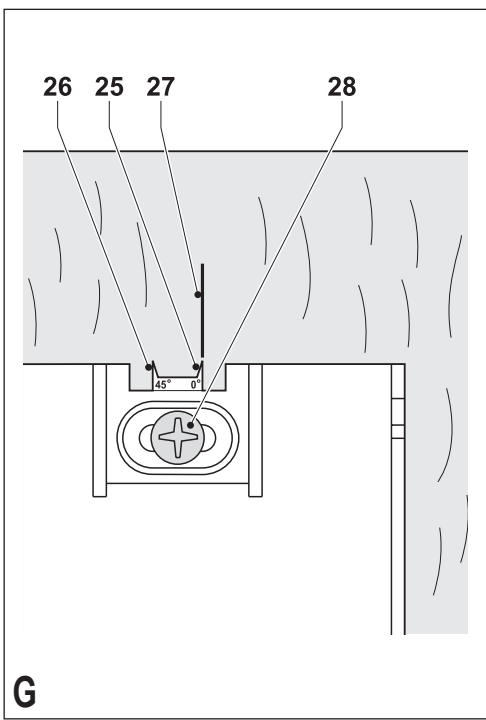
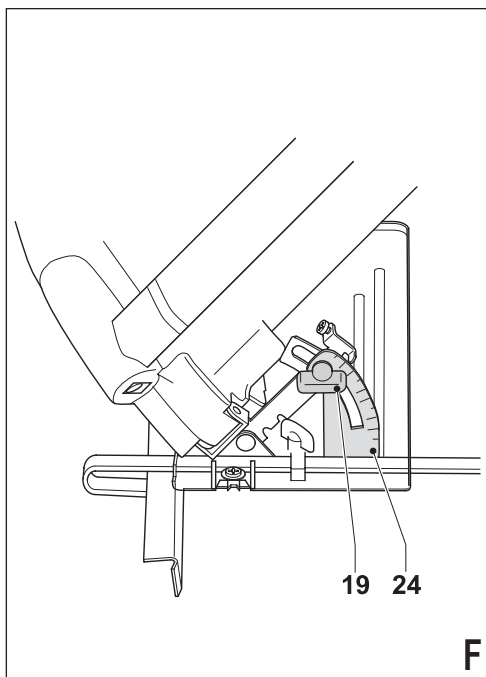
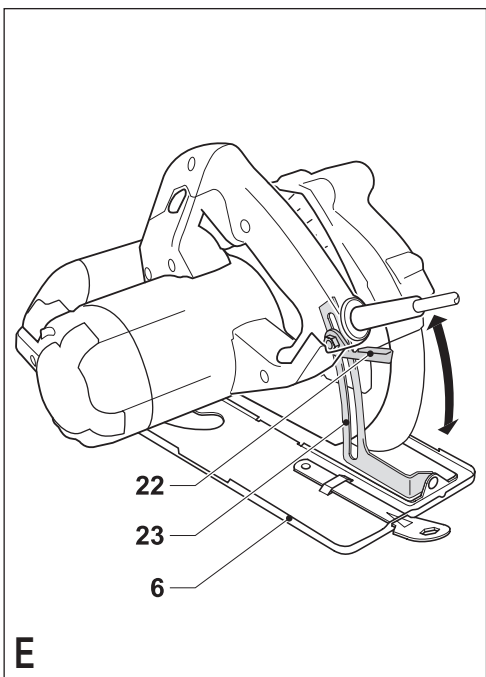
NO

DK

FI

EL





## Intended use

Your Stanley Fat Max saw has been designed for sawing wood and wood products. This tool is intended for professional and private, non professional users.

## Safety instructions

### General power tool safety warnings



**Warning!** Read all safety warnings and all instructions. Failure to follow the warnings and instructions listed below may result in electric shock, fire and/or serious injury.

### Save all warnings and instructions for future reference.

The term "power tool" in all of the warnings listed below refers to your mains operated (corded) power tool or battery operated (cordless) power tool.

#### 1. Work area safety

- a. **Keep work area clean and well lit.** Cluttered or dark areas invite accidents.
- b. **Do not operate power tools in explosive atmospheres, such as in the presence of flammable liquids, gases or dust.** Power tools create sparks which may ignite the dust or fumes.
- c. **Keep children and bystanders away while operating a power tool.** Distractions can cause you to lose control.

#### 2. Electrical safety

- a. **Power tool plugs must match the outlet. Never modify the plug in any way. Do not use any adapter plugs with earthed (grounded) power tools.** Unmodified plugs and matching outlets will reduce risk of electric shock.
- b. **Avoid body contact with earthed or grounded surfaces such as pipes, radiators, ranges and refrigerators.** There is an increased risk of electric shock if your body is earthed or grounded.
- c. **Do not expose power tools to rain or wet conditions.** Water entering a power tool will increase the risk of electric shock.
- d. **Do not abuse the cord. Never use the cord for carrying, pulling or unplugging the power tool. Keep cord away from heat, oil, sharp edges or moving parts.** Damaged or entangled cords increase the risk of electric shock.
- e. **When operating a power tool outdoors, use an extension cord suitable for outdoor use.** Use of a cord suitable for outdoor use reduces the risk of electric shock.
- f. **If operating a power tool in a damp location is unavoidable, use a residual current device (RCD) protected supply.** Use of an RCD reduces the risk of electric shock.

#### 3. Personal safety

- a. **Stay alert, watch what you are doing and use common sense when operating a power tool. Do not use a power tool while you are tired or under the influence of drugs, alcohol or medication.** A moment of inattention while operating power tools may result in serious personal injury.
- b. **Use personal protective equipment. Always wear eye protection.** Protective equipment such as dust mask, non-skid safety shoes, hard hat, or hearing protection used for appropriate conditions will reduce personal injuries.
- c. **Prevent unintentional starting. Ensure the switch is in the off-position before connecting to power source and/or battery pack, picking up or carrying the tool.** Carrying power tools with your finger on the switch or energising power tools that have the switch on invites accidents.
- d. **Remove any adjusting key or wrench before turning the power tool on.** A wrench or a key left attached to a rotating part of the power tool may result in personal injury.
- e. **Do not overreach. Keep proper footing and balance at all times.** This enables better control of the power tool in unexpected situations.
- f. **Dress properly. Do not wear loose clothing or jewellery. Keep your hair, clothing and gloves away from moving parts.** Loose clothes, jewellery or long hair can be caught in moving parts.
- g. **If devices are provided for the connection of dust extraction and collection facilities, ensure these are connected and properly used.** Use of dust collection can reduce dust-related hazards.

#### 4. Power tool use and care

- a. **Do not force the power tool. Use the correct power tool for your application.** The correct power tool will do the job better and safer at the rate for which it was designed.
- b. **Do not use the power tool if the switch does not turn it on and off.** Any power tool that cannot be controlled with the switch is dangerous and must be repaired.
- c. **Disconnect the plug from the power source and/or the battery pack from the power tool before making any adjustments, changing accessories, or storing power tools.** Such preventive safety measures reduce the risk of starting the power tool accidentally.
- d. **Store idle power tools out of the reach of children and do not allow persons unfamiliar with the power tool or these instructions to operate the power tool.** Power tools are dangerous in the hands of untrained users.

- e. **Maintain power tools. Check for misalignment or binding of moving parts, breakage of parts and any other condition that may affect the power tools operation. If damaged, have the power tool repaired before use.** Many accidents are caused by poorly maintained power tools.
  - f. **Keep cutting tools sharp and clean.** Properly maintained cutting tools with sharp cutting edges are less likely to bind and are easier to control.
  - g. **Use the power tool, accessories and tool bits etc. in accordance with these instructions, taking into account the working conditions and the work to be performed.** Use of the power tool for operations different from those intended could result in a hazardous situation.
5. **Service**
- a. **Have your power tool serviced by a qualified repair person using only identical replacement parts.** This will ensure that the safety of the power tool is maintained.

- g. **Always use blades with correct size and shape (diamond versus round) of arbour holes.** Blades that do not match the mounting hardware of the saw will run eccentrically, causing loss of control.
- h. **Never use damaged or incorrect blade washers or bolt.** The blade washers and bolt were specially designed for your saw, for optimum performance and safety of operation.

## Further safety instructions for all saws

### Kickback causes and related warnings

- ◆ kickback is a sudden reaction to a pinched, bound or misaligned saw blade, causing an uncontrolled saw to lift up and out of the workpiece toward the operator;
- ◆ when the blade is pinched or bound tightly by the kerf closing down, the blade stalls and the motor reaction drives the unit rapidly back toward the operator;
- ◆ if the blade becomes twisted or misaligned in the cut, the teeth at the back edge of the blade can dig into the top surface of the wood causing the blade to climb out of the kerf and jump back toward the operator.

Kickback is the result of saw misuse and/or incorrect operating procedures or conditions and can be avoided by taking proper precautions as given below.


- a. **Maintain a firm grip with both hands on the saw and position your arms to resist kickback forces. Position your body to either side of the blade, but not in line with the blade.** Kickback could cause the saw to jump backwards, but kickback forces can be controlled by the operator, if proper precautions are taken.
- b. **When blade is binding, or when interrupting a cut for any reason, release the trigger and hold the saw motionless in the material until the blade comes to a complete stop. Never attempt to remove the saw from the work or pull the saw backward while the blade is in motion or kickback may occur.** Investigate and take corrective actions to eliminate the cause of blade binding.
- c. **When restarting a saw in the workpiece, centre the saw blade in the kerf and check that saw teeth are not engaged into the material.** If saw blade is binding, it may walk up or kickback from the workpiece as the saw is restarted.
- d. **Support large panels to minimise the risk of blade pinching and kickback.** Large panels tend to sag under their own weight. Supports must be placed under the panel on both sides, near the line of cut and near the edge of the panel.
- e. **Do not use dull or damaged blades.** Unsharpened or improperly set blades produce narrow kerf causing excessive friction, blade binding and kickback.

## Additional power tool safety warnings



**Warning!** Safety instructions for all saws

### Cutting procedures

- a.  **Keep hands away from cutting area and the blade. Keep your second hand on auxiliary handle, or motor housing.** If both hands are holding the saw, they cannot be cut by the blade.
- b. **Do not reach underneath the workpiece.** The guard cannot protect you from the blade below the workpiece.
- c. **Adjust the cutting depth to the thickness of the workpiece.** Less than a full tooth of the blade teeth should be visible below the workpiece.
- d. **Never hold piece being cut in your hands or across your leg. Secure the workpiece to a stable platform.** It is important to support the work properly to minimize body exposure, blade binding, or loss of control.
- e. **Hold the power tool by insulated gripping surfaces only, when performing an operation where the cutting tool may contact hidden wiring or its own cord.** Contact with a "live" wire will also make exposed metal parts of the power tool "live" and could give the operator an electric shock.
- f. **When ripping, always use a rip fence or straight edge guide.** This improves the accuracy of cut and reduces the chance of blade binding.

- f. **Blade depth and bevel adjusting locking levers must be tight and secure before making cut.** If blade adjustment shifts while cutting, it may cause binding and kickback.
- a. **Use extra caution when sawing into existing walls or other blind areas.** The protruding blade may cut objects that can cause kickback.

### Lower guard function

- a. **Check lower guard for proper closing before each use. Do not operate the saw if lower guard does not move freely and close instantly. Never clamp or tie the lower guard into the open position.** If saw is accidentally dropped, lower guard may be bent. Raise the lower guard with the retracting handle and make sure it moves

freely and does not touch the blade or any other part, in all angles and depths of cut.

- b. **Check the operation of the lower guard spring. If the guard and the spring are not operating properly, they must be serviced before use.** Lower guard may operate sluggishly due to damaged parts, gummy deposits, or a build-up of debris.
- c. **Lower guard may be retracted manually only for special cuts such as "plunge cuts" and "compound cuts".** Raise lower guard by retracting handle and as soon as blade enters the material, the lower guard must be released. For all other sawing, the lower guard should operate automatically.
- d. **Always observe that the lower guard is covering the blade before placing saw down on bench or floor.** An unprotected, coasting blade will cause the saw to walk backwards, cutting whatever is in its path. Be aware of the time it takes for the blade to stop after switch is released.

### Riving knife function

- a. **Use the appropriate saw blade for the riving knife.** For the riving knife to function, the body of the blade must be thinner than the riving knife and the cutting width of the blade must be wider than the thickness of the riving knife.
- b. **Adjust the riving knife as described in this instruction manual.** Incorrect spacing, positioning and alignment can make the riving knife ineffective in preventing kickback.
- c. **Always use the riving knife except when plunge cutting.** Riving knife must be replaced after plunge cutting. Riving knife causes interference during plunge cutting and can create kickback.
- d. **For the riving knife to work, it must be engaged in the workpiece.** The riving knife is ineffective in preventing kickback during short cuts.
- e. **Do not operate the saw if riving knife is bent.** Even a light interference can slow the closing rate of a guard.

### Residual risks.

Additional residual risks may arise when using the tool which may not be included in the enclosed safety warnings. These risks can arise from misuse, prolonged use etc.

Even with the application of the relevant safety regulations and the implementation of safety devices, certain residual risks can not be avoided. These include:

- ◆ Injuries caused by touching any rotating/moving parts.
- ◆ Injuries caused when changing any parts, blades or accessories.
- ◆ Injuries caused by prolonged use of a tool. When using any tool for prolonged periods ensure you take regular breaks.
- ◆ Impairment of hearing.
- ◆ Health hazards caused by breathing dust developed when using your tool (example:- working with wood, especially oak, beech and MDF.)

### Saw blades

- ◆ Do not use blades of larger or smaller diameter than recommended. For the proper blade rating refer to the technical data. Use only the blades specified in this manual, complying with EN 847-1.
- ◆ **Warning!** Never use abrasive wheels.

### Safety of others

- ◆ This appliance is not intended for use by persons (including children) with reduced physical, sensory or mental capabilities, or lack of experience and knowledge, unless they have been given supervision or instruction concerning use of the appliance by a person responsible for their safety.
- ◆ Children should be supervised to ensure that they do not play with the appliance.

### Vibration

The declared vibration emission values stated in the technical data and the declaration of conformity have been measured in accordance with a standard test method provided by EN 60745 and may be used for comparing one tool with another. The declared vibration emission value may also be used in a preliminary assessment of exposure.

**Warning!** The vibration emission value during actual use of the power tool can differ from the declared value depending on the ways in which the tool is used. The vibration level may increase above the level stated.

When assessing vibration exposure to determine safety measures required by 2002/44/EC to protect persons regularly using power tools in employment, an estimation of vibration exposure should consider, the actual conditions of use and the way the tool is used, including taking account of all parts of the operating cycle such as the times when the tool is switched off and when it is running idle in addition to the trigger time.

### Labels on tool

The following symbols are shown on the tool:



**Warning!** To reduce the risk of injury, the user must read the instruction manual.

### Electrical safety



This tool is double insulated; therefore no earth wire is required. Always check that the power supply corresponds to the voltage on the rating plate.

- ◆ If the supply cord is damaged, it must be replaced by the manufacturer or an authorised Stanley Fat Max Service Centre in order to avoid a hazard.

### Features

This tool includes some or all of the following features.

1. On/off switch
2. Lock-off button
3. Main handle
4. Secondary handle
5. Spindle lock button
6. Shoe
7. Saw blade
8. Saw blade guard
9. Riving knife
10. Saw dust outlet

### Assembly

**Warning!** Before attempting any of the following operations, make sure that the tool is switched off and unplugged and that the saw blade has stopped.

### Removing and fitting a saw blade (fig. A)

#### Removing

- ◆ Keep the spindle lock button (5) depressed and rotate the blade until the spindle lock engages.
- ◆ Loosen and remove the blade retaining screw (11) by turning it counterclockwise using the spanner (12) supplied.
- ◆ Remove the outer washer (13).
- ◆ Remove the saw blade (7).

#### Fitting

- ◆ Place the saw blade onto the inner flange (14), making sure that the arrow on the blade points in the same direction as the arrow on the tool.
- ◆ Fit the outer washer (13) on the spindle, with the raised part pointing away from the saw blade.
- ◆ Insert the blade retaining screw (11) into the hole.
- ◆ Keep the spindle lock button (5) depressed.
- ◆ Securely tighten the blade retaining screw by turning it clockwise using the spanner (12) supplied.
- ◆ Adjust the riving knife as described below.

### Adjusting the riving knife (fig. B)

The riving knife prevents the saw blade from jamming during rip sawing operations. The riving knife must be adjusted after replacing the saw blade.

- ◆ Loosen the screws (15), using the spanner (12), while holding the riving knife in position.
- ◆ Position the riving knife (9) as shown.
- ◆ The distance between the toothed rim and the riving knife should be 2 - 3 mm.
- ◆ The height difference between the toothed rim and the lower end of the riving knife should be 2 - 3 mm.
- ◆ Tighten the screws.

### Fitting and removing the parallel fence (fig. C)

- ◆ The parallel fence is used to saw in a straight line parallel to the edge of the workpiece.

#### Fitting

- ◆ Loosen the locking knob (16).
- ◆ Insert the parallel fence (17) through the openings (18).
- ◆ Slide the parallel fence into the desired position.
- ◆ Tighten the locking knob.

#### Removing

- ◆ Loosen the locking knob.
- ◆ Pull the parallel fence off the tool.

## Use

**Warning!** Let the tool work at its own pace. Do not overload. This tool can be used in the right hand or the left hand.

### Adjusting the sawing angle (fig. D)

- ◆ Use a square to check that the angle between the saw blade and the shoe is 90°. If the angle does not measure 90° adjust as follows:
  - ◆ Loosen the locking knob (19) to unlock the saw shoe.
  - ◆ Loosen the locknut (20) on the adjusting screw (21).
  - ◆ Screw the adjusting screw in or out to achieve a 90° angle.
  - ◆ Retighten the locknut.
  - ◆ Tighten the locking knob to lock the saw shoe in place.

### Adjusting the depth of cut (fig. E)

The depth of cut should be set according to the thickness of the workpiece. It should exceed the thickness by approx. 2 mm.

- ◆ Loosen the knob (22) to unlock the saw shoe.
- ◆ Move the saw shoe (6) into the desired position. The corresponding depth of cut can be read from the scale (23).
- ◆ Tighten the knob to lock the saw shoe in place.

### Adjusting the bevel angle (fig. F)

This tool can be set to bevel angles between 0° and 45°.

- ◆ Loosen the locking knob (19) to unlock the saw shoe.
- ◆ Move the saw shoe (8) into the desired position. The corresponding bevel angle can be read from the scale (24).
- ◆ Tighten the locking knob to lock the saw shoe in place.

### Switching on and off

- ◆ To switch the tool on, move the lock-off button (2) into the unlock position and squeeze the on/off switch (1).
- ◆ To switch the tool off, release the on/off switch.

### Sawing

Always hold the tool with both hands.

- ◆ Let the blade run freely for a few seconds before starting the cut.
- ◆ Apply only a gentle pressure to the tool while performing the cut.
- ◆ Work with the shoe pressed against the workpiece.

**Note:** Take care not to allow the blade tips to overheat.

### Using the sight guide (fig. G)

The tool is equipped with a sight guide for straight cutting (25) and for 45° bevel cutting (26).

- ◆ Adjust the sight guide as described below.
- ◆ Align the left edge of the guides (25) or (26) with the cutting line (27).

- ◆ Keep the sight guide aligned with the cutting line while sawing.
- ◆ Work with the shoe pressed against the workpiece.

### Adjusting the sight guide

- ◆ Make a test cut halfway through a piece of scrap wood.
- ◆ Withdraw the saw so the cutting line (27) becomes visible.
- ◆ While keeping the saw in this position, loosen the sight guide on the saw shoe as shown.
- ◆ Align the 0° mark (25) on the sight guide with the cutting line (27). When adjusting for 45° bevel cuts, align the 45° mark (26) on the sight guide with the cutting line.
- ◆ Secure the sight guide using the screw (28).

### Dust extraction

An adaptor is required to connect a vacuum cleaner or dust extractor to the tool.

- ◆ Insert the dust extraction adaptor into the saw dust outlet (10).
- ◆ Connect the vacuum cleaner hose to the adaptor.

### Hints for optimum use

- ◆ Always use the appropriate type of saw blade for the workpiece material and type of cut.
- ◆ Always hold the tool with both hands.
- ◆ Let the blade run freely for a few seconds before starting the cut.
- ◆ Apply only a gentle pressure to the tool while performing the cut.
- ◆ Work with the shoe pressed against the workpiece.
- ◆ As some splintering along the line of cut on the top side of the workpiece cannot be avoided, cut on the side where splintering is acceptable.
- ◆ Where splintering is to be minimised, e.g. when cutting laminates, clamp a piece of plywood onto the top of the workpiece.
- ◆ Support large panels to minimize the risk of blade pinching and kickback. Large panels tend to sag under their own weight.
- ◆ Supports must be placed under the panel on both sides, near the line of cut and near the edge of the panel being cut.
- ◆ Never hold piece being cut in your hands or across your leg.
- ◆ Secure the workpiece to a stable platform using clamps. It is important to support the work properly to minimize body exposure, blade binding, or loss of control.



## Accessories

The performance of your tool depends on the accessory used. Stanley Fat Max accessories are engineered to high quality standards and designed to enhance the performance of your tool. By using these accessories you will get the very best from your tool.

## Maintenance

Your tool has been designed to operate over a long period of time with a minimum of maintenance. Continuous satisfactory operation depends upon proper tool care and regular cleaning. **Warning!** Before performing any maintenance, switch off and unplug the tool.

- ◆ Regularly clean the ventilation slots in your tool and charger using a soft brush or dry cloth.
- ◆ Regularly clean the motor housing using a damp cloth. Do not use any abrasive or solvent-based cleaner.

## Mains plug replacement (U.K. & Ireland only)

If a new mains plug needs to be fitted:

- ◆ Safely dispose of the old plug.
- ◆ Connect the brown lead to the live terminal in the new plug.
- ◆ Connect the blue lead to the neutral terminal.

**Warning!** No connection is to be made to the earth terminal. Follow the fitting instructions supplied with good quality plugs. Recommended fuse: 13 A.

## Protecting the environment



Separate collection. This product must not be disposed of with normal household waste.

Should you find one day that your Stanley Fat Max product needs replacement, or if it is of no further use to you, do not dispose of it with household waste. Make this product available for separate collection.



Separate collection of used products and packaging allows materials to be recycled and used again. Re-use of recycled materials helps prevent environmental pollution and reduces the demand for raw materials.

Local regulations may provide for separate collection of electrical products from the household, at municipal waste sites or by the retailer when you purchase a new product.

Stanley Europe provides a facility for the collection and recycling of Stanley Fat Max products once they have reached the end of their working life. To take advantage of this service please return your product to any authorised repair agent who will collect them on our behalf.

You can check the location of your nearest authorised repair agent by contacting your local Stanley Europe office at the address indicated in this manual. Alternatively, a list of authorised Stanley Europe repair agents and full details of our after-sales service and contacts are available on the Internet at: [www.2helpU.com](http://www.2helpU.com)

## Technical data

	FME300 (Type 1)	
Input voltage	$V_{ac}$	230
Power input	W	1,600
No-load speed	$\text{min}^{-1}$	5,000
Max depth of cut	mm	65
Max depth of cut at 45° bevel	mm	50
Blade diameter	mm	190
Blade bore	mm	16
Blade tip width	mm	2.3
Weight	kg	5.4

$L_{pA}$ (sound pressure) 94 dB(A), Uncertainty (K) 3 dB(A)
$L_{WA}$ (sound power) 105 dB(A), Uncertainty (K) 3 dB(A)
Vibration total values (triax vector sum) according to EN 60745:
Cutting wood ( $a_{h,W}$ ) 4.8 $\text{m/s}^2$ , uncertainty (K) 1.5 $\text{m/s}^2$

**EC declaration of conformity**

MACHINERY DIRECTIVE



FME300

Stanley Europe declares that these products described under "technical data" are in compliance with:

2006/42/EC, EN 60745-1, EN 60745-2-5

These products also comply with Directive 2004/108/EC and 2011/65/EU. For more information, please contact Stanley Europe at the following address or refer to the back of the manual.

The undersigned is responsible for compilation of the technical file and makes this declaration on behalf of Stanley Europe.

Kevin Hewitt  
Vice-President Global Engineering  
Stanley Europe, Egide Walschaertsstraat14-18,  
2800 Mechelen, Belgium  
07/10/2013

**Guarantee**

StanleyEurope is confident of the quality of its products and offers an outstanding guarantee for professional users of the product. This guarantee statement is in addition to and in no way prejudices your contractual rights as a private non-professional user. The guarantee is valid within the territories of the Member States of the European Union and the European Free Trade Area.

**ONE-YEAR FULL WARRANTY**

If your Stanley Fat Max product becomes defective due to faulty materials or workmanship within 12 months from the date of purchase, Stanley Europe guarantees to replace all defective parts free of charge or – at our discretion – replace the unit free of charge provided that:

- ◆ The product has not been misused and has been used in accordance with the instruction manual.
- ◆ The product has been subject to fair wear and tear;
- ◆ Repairs have not been attempted by unauthorised persons;
- ◆ Proof of purchase is produced.
- ◆ The Stanley Fat Max product is returned complete with all original components

If you wish to make a claim, contact your seller or check the location of your nearest authorised Stanley Fat Max repair agent in the Stanley Fat Max catalogue or contact your local Stanley office at the address indicated in this manual. A list of authorised Stanley Fat Max repair agents and full details of our after sales service is available on the internet at: [www.stanley.eu/3](http://www.stanley.eu/3)

## Bestimmungsgemäße Verwendung

Ihre Stanley Fat Max Säge wurde zum Sägen von Holz und Holzprodukten entwickelt. Dieses Gerät ist zum gewerblichen und privaten Einsatz vorgesehen.

## Sicherheitshinweise

### Allgemeine Sicherheitswarnungen für das Gerät



**Achtung!** Lesen Sie sämtliche Sicherheitswarnungen und Anweisungen. Die Nichteinhaltung der nachstehend aufgeführten Warnungen und Anweisungen kann einen elektrischen Schlag, Brand und/oder schwere Verletzungen verursachen.

**Bewahren Sie alle Sicherheitswarnungen und Anweisungen gut auf.** Der nachfolgend verwendete Begriff "Gerät" bezieht sich auf netzbetriebene Geräte (mit Netzkabel) und auf akkubetriebene Geräte (ohne Netzkabel).

#### 1. Sicherheit im Arbeitsbereich

- a: **Sorgen Sie für einen sauberen und gut ausgeleuchteten Arbeitsbereich.** Unordnung oder dunkle Arbeitsbereiche können zu Unfällen führen.
- b: **Verwenden Sie die Geräte nicht in Umgebungen, in denen Explosionsgefahr, z. B. aufgrund von brennbaren Flüssigkeiten, Gasen oder Staub, besteht.** Geräte erzeugen Funken, die den Staub oder die Dämpfe entzünden können.
- c: **Halten Sie Kinder und andere Personen während der Benutzung eines Geräts fern.** Bei Ablenkung können Sie die Kontrolle verlieren.

#### 2. Elektrische Sicherheit

- a: **Der Netzstecker des Geräts muss in die Steckdose passen. Der Stecker darf in keiner Weise verändert werden. Verwenden Sie für geschützte Geräte keine Adapterstecker.** Unveränderte Stecker und passende Steckdosen verringern das Risiko eines elektrischen Schlags.
- b: **Vermeiden Sie Körperkontakt mit geerdeten Oberflächen von Rohren, Heizungen, Herden und Kühlschränken.** Wenn Ihr Körper geerdet ist, besteht ein erhöhtes Risiko eines elektrischen Schlags.
- c: **Halten Sie Geräte von Regen und Feuchtigkeit fern.** Das Eindringen von Wasser in ein Gerät erhöht das Risiko eines elektrischen Schlags.

- d: **Verwenden Sie das Kabel ordnungsgemäß. Verwenden Sie es niemals zum Tragen. Trennen Sie das Gerät nicht durch Ziehen am Kabel vom Netz. Halten Sie das Kabel fern von Hitze, Öl, scharfen Kanten oder sich bewegenden Teilen.** Beschädigte oder verwickelte Kabel erhöhen das Risiko eines elektrischen Schlags.
- e: **Verwenden Sie für Arbeiten im Freien nur für den Außenbereich zugelassene Verlängerungskabel.** Die Verwendung eines für den Außenbereich geeigneten Verlängerungskabels verringert das Risiko eines elektrischen Schlags.
- f: **Wenn das Gerät in einer feuchten Umgebung verwendet werden muss, schließen Sie es unbedingt an eine Steckdose mit Fehlerstromschutzschalter (RCD) an.** Die Verwendung eines Fehlerstromschutzschalters verringert das Risiko eines elektrischen Schlags.

#### 3. Persönliche Sicherheit

- a: **Verwenden Sie das Gerät aufmerksam und vernünftig. Benutzen Sie das Gerät nicht, wenn Sie müde sind oder unter dem Einfluss von Drogen, Alkohol oder Medikamenten stehen.** Ein Moment der Unachtsamkeit beim Gebrauch von Geräten kann zu ernsthaften Verletzungen führen.
- b: **Verwenden Sie eine geeignete Schutzausrüstung. Tragen Sie stets einen Augenschutz.** Schutzausrüstung wie Staubmaske, rutschfeste Sicherheitsschuhe, Schutzhelm oder Gehörschutz, je nach Art und Einsatz des Geräts, verringert das Risiko von Verletzungen.
- c: **Vermeiden Sie eine unbeabsichtigte Inbetriebnahme. Vergewissern Sie sich, dass das Gerät ausgeschaltet ist, bevor Sie es an eine Steckdose oder einen Akku anschließen, es hochheben oder tragen.** Durch das Tragen des Geräts mit dem Finger am Schalter oder durch das Anschließen eingeschalteter Geräte werden Unfälle provoziert.
- d: **Entfernen Sie Einstell- oder Schraubenschlüssel, bevor Sie das Gerät einschalten.** Ein Schlüssel, der sich in einem drehenden Teil befindet, kann zu Verletzungen führen.
- e: **Beugen Sie sich nicht zu weit nach vorne über. Achten Sie auf einen sicheren Stand, um in jeder Arbeitsposition das Gleichgewicht zu halten.** Dadurch können Sie das Gerät in unerwarteten Situationen besser unter Kontrolle halten.
- f: **Tragen Sie geeignete Kleidung. Tragen Sie keine weite Kleidung oder Schmuck. Halten Sie Haare, Kleidung und Handschuhe fern von sich bewegenden Teilen.** Weite Kleidung, Schmuck oder lange Haare können von sich bewegenden Teilen erfasst werden.

- g: Falls Staubabsaug- und -fangvorrichtungen vorhanden sind, vergewissern Sie sich, dass diese angeschlossen sind und richtig verwendet werden.** Das Verwenden einer Staubauffangvorrichtung verringert Gefährdungen durch Staub.

#### 4. Gebrauch und Pflege von Geräten

- a: Überlasten Sie das Gerät nicht. Verwenden Sie das für Ihre Arbeit passende Gerät.** Durch das Arbeiten in dem für das Gerät angegebenen Leistungsbereich erzielen Sie nicht nur optimale Ergebnisse, Sie erhöhen auch die Sicherheit.

- b: Verwenden Sie das Gerät nicht, wenn der Ein-/Ausschalter nicht funktioniert.** Ein Gerät, das sich nicht mehr ein- oder ausschalten lässt, ist gefährlich und muss repariert werden.

- c: Ziehen Sie den Stecker aus der Steckdose, und/oder trennen Sie das Gerät vom Akku, bevor Sie Einstellungen vornehmen, Zubehörteile wechseln oder das Gerät lagern.** Diese Vorsichtsmaßnahme verhindert den unbeabsichtigten Start des Geräts.

- d: Bewahren Sie unbenutzte Geräte außerhalb der Reichweite von Kindern auf. Lassen Sie Geräte nicht von Personen benutzen, die damit nicht vertraut sind oder diese Anweisungen nicht gelesen haben.** Geräte sind gefährlich, wenn Sie von unerfahrenen Personen benutzt werden.

- e: Halten Sie Geräte in einem einwandfreien Zustand. Kontrollieren Sie, ob bewegliche Teile falsch ausgerichtet sind oder klemmen und ob Teile gebrochen oder so beschädigt sind, dass die Funktion des Geräts beeinträchtigt ist. Lassen Sie beschädigte Geräte vor dem Gebrauch reparieren.** Viele Unfälle haben ihre Ursache in schlecht gewarteten Geräten.

- f: Halten Sie Schneidwerkzeuge scharf und sauber.** Sorgfältig gepflegte Schneidwerkzeuge mit scharfen Schneidkanten verklemmen sich seltener und sind leichter zu führen.

- g: Verwenden Sie Gerät, Zubehör, Einsätze usw. entsprechend diesen Anweisungen, und berücksichtigen Sie dabei die Arbeitsbedingungen und die auszuführende Arbeit.** Der Gebrauch von Geräten für andere als die vorgesehenen Anwendungen kann zu gefährlichen Situationen führen.

#### 5. Service

- a: Lassen Sie das Gerät nur von qualifiziertem Fachpersonal und nur mit Originalersatzteilen reparieren.** So wird gewährleistet, dass die Sicherheit des Geräts erhalten bleibt.

### Zusätzliche Sicherheitswarnungen für das Gerät



**Achtung!** Sicherheitshinweise für Sägen

#### Vorgehen beim Sägen



- a. Halten Sie Ihre Hände von der Schneidzone und dem Sägeblatt fern. Legen Sie die zweite Hand auf den Zusatzgriff oder auf das Motorgehäuse.** Wenn Sie die Säge mit beiden Händen halten, können diese nicht durch das Sägeblatt verletzt werden.
- b. Greifen Sie nicht unter das Werkstück.** Die Schutzvorrichtungen können Sie nicht vor dem Teil des Sägeblatts schützen, der sich unterhalb des Werkstücks befindet.
- c. Passen Sie die Schnitttiefe an die Dicke des Werkstücks an.** Unterhalb des Werkstücks sollte weniger als ein ganzer Sägezahn sichtbar sein.
- d. Halten Sie das zu schneidende Werkstück niemals mit den Händen oder über den Beinen. Fixieren Sie das Werkstück auf einer stabilen Unterlage.** Es ist wichtig, das Werkstück richtig abzustützen, damit es nicht zu Körperkontakt, Verklemmen des Sägeblatts oder Kontrollverlust kommt.
- e. Halten Sie das Gerät nur an den isolierten Griffflächen, wenn Sie Arbeiten ausführen, bei denen das Sägeblatt ein verdecktes Kabel oder das Gerätekabel berühren könnte.** Der Kontakt mit stromführenden Leitungen setzt auch offen liegende Metallteile am Gerät unter Strom und kann zu Stromschlägen führen.
- f. Verwenden Sie beim Längsschneiden stets einen Parallelenschlag oder eine gerade Schnittführung.** Auf diese Weise wird die Genauigkeit des Schnitts verbessert, und die Gefahr, dass sich das Sägeblatt verklemmt, wird reduziert.
- g. Verwenden Sie grundsätzlich Sägeblätter mit der richtigen Bohrungsgröße und -form (Rund- oder Diamantform).** Sägeblätter, die nicht exakt zur Sägeblattaufnahme der Säge passen, laufen exzentrisch und können außer Kontrolle geraten.
- h. Verwenden Sie niemals beschädigte oder ungeeignete Sägeblattunterlegscheiben oder -schrauben.** Die Unterlegscheiben und Schrauben wurden eigens für Ihre Säge konstruiert, um optimale Leistung und sicheren Betrieb zu gewährleisten.

## Weitere Sicherheitshinweise für Sägen

### Rückschlagursachen und damit verbundene Sicherheitshinweise

- ◆ Rückschlag ist eine plötzliche Reaktion auf ein verklemmtes, verbogenes oder falsch ausgerichtetes Sägeblatt, wodurch die Säge unkontrolliert aus dem Werkstück heraus zum Bediener hin angehoben wird.
- ◆ Wenn sich das Sägeblatt im enger werdenden Sägeschlitz verklemt, wird die Drehbewegung des Blattes blockiert und das Gerät durch die Motorkraft schlagartig zum Bediener hin zurückgeschleudert.
- ◆ Wenn sich das Sägeblatt beim Schneiden verbiegt oder falsch ausgerichtet ist, können sich die Zähne am rückwärtigen Teil des Sägeblatts in die Holzoberfläche graben und das Blatt zum Bediener hin aus dem Sägeschlitz springen lassen.

Ein Rückschlag ist die Folge eines Missbrauchs und/oder einer falschen Bedienung der Säge oder ungeeigneter Arbeitsbedingungen. Er kann durch die entsprechenden unten angeführten Vorsichtsmaßnahmen vermieden werden.

- a. **Halten Sie die Säge mit beiden Händen fest, und positionieren Sie Ihre Arme so, dass Sie Rückschlägen entgegenwirken können. Positionieren Sie Ihren Körper niemals in einer Linie mit dem Sägeblatt, sondern stets seitlich vom Sägeblatt.** Durch Rückschlag kann die Säge rückwärts springen. Rückschläge können jedoch vom Bediener kontrolliert werden, wenn entsprechende Vorkehrungen getroffen werden.
- b. **Wenn das Sägeblatt klemmt oder Sie die Schneidarbeit aus sonstigen Gründen unterbrechen wollen, schalten Sie die Säge aus, und halten Sie sie bewegungslos im Material, bis das Sägeblatt vollständig zum Stillstand kommt. Versuchen Sie niemals, die Säge aus dem Werkstück zu entfernen oder rückwärts zu ziehen, während das Sägeblatt in Bewegung ist. Andernfalls kann es zu einem Rückschlag kommen.** Untersuchen Sie die Ursache für das klemmende Sägeblatt, und ergreifen Sie entsprechende Gegenmaßnahmen.
- c. **Wenn Sie die Säge im Werkstück wieder einschalten, zentrieren Sie das Sägeblatt im Sägeschlitz, und stellen Sie sicher, dass keine Sägezähne im Material stecken.** Wenn das Sägeblatt klemmt, kann es beim erneuten Einschalten nach oben gehoben werden, oder es kann zu einem Rückschlag vom Werkstück kommen.
- d. **Stützen Sie große Platten ab, um ein mögliches Verklemmen oder Rückschlagen des Sägeblatts zu vermeiden.** Große Platten neigen zum Durchbiegen unter ihrem eigenen Gewicht. Die Platte muss auf beiden Seiten von unten abgestützt werden, d. h. nahe an der Schnittlinie und nahe am Plattenrand.

- e. **Verwenden Sie niemals stumpfe oder beschädigte Sägeblätter.** Ungeschärfte oder falsch geschränkte Sägeblätter erzeugen einen schmalen Sägeschlitz. Die Folge sind übermäßige Reibung, Verklemmen des Sägeblatts und Rückschlag.
- f. **Arretierungshebel für Schnitttiefe und Gehrung müssen vor dem Schneiden fest und sicher sitzen.** Wenn sich die Sägeblatteinstellung beim Schneiden ändert, kann dies zu Klemmen und Rückschlag führen.
- a. **Gehen Sie beim Sägen in Wände oder sonstige unübersichtliche Bereiche besonders vorsichtig vor.** Das vordringende Sägeblatt kann in Objekte eindringen, die einen Rückschlag verursachen.

### Funktion der unteren Schutzvorrichtung

- a. **Vergewissern Sie sich vor jedem Gebrauch, dass die untere Schutzvorrichtung richtig schließt. Benutzen Sie die Säge nicht, wenn sich die untere Schutzvorrichtung nicht frei bewegen lässt und sich nicht verzögerungsfrei schließt. Klemmen oder binden Sie die untere Schutzvorrichtung niemals in geöffneter Position fest.** Wenn die Säge versehentlich fallen gelassen wird, kann sich die untere Schutzvorrichtung verbiegen. Ziehen Sie die untere Schutzvorrichtung mit dem vorgesehenen Handgriff zurück, und stellen Sie sicher, dass sie sich frei bewegen lässt und in sämtlichen Schnittwinkeln und -tiefen nicht das Sägeblatt oder einen anderen Teil berührt.
- b. **Überprüfen Sie die Funktion der Feder für die untere Schutzvorrichtung. Wenn die Schutzvorrichtung und die Feder nicht vorschriftsmäßig funktionieren, müssen Sie vor Gebrauch gewartet werden.** Die untere Schutzvorrichtung kann beispielsweise aufgrund von beschädigten Teilen, klebrigen Ablagerungen oder Schmutzansammlungen schwergängig werden.
- c. **Die untere Schutzvorrichtung sollte nur bei speziellen Schnitten wie Eintauch- und Verbund Schnitten von Hand zurückgezogen werden.** Heben Sie dazu die untere Schutzvorrichtung am vorgesehenen Handgriff an, und lassen Sie diese wieder los, sobald das Sägeblatt in das Werkstück eindringt. Bei allen anderen Sägearbeiten sollte der untere Blattschutz automatisch arbeiten.
- d. **Achten Sie stets darauf, dass die untere Schutzvorrichtung das Sägeblatt umschließt, bevor Sie die Säge auf einer Werkbank oder auf dem Boden ablegen.** Ein ungeschützt auslaufendes Sägeblatt löst eine Rückwärtsbewegung der Säge aus und zerschneidet alles, was sich im Weg befindet. Beachten Sie, dass das Sägeblatt erst einige Zeit nach dem Loslassen des Schalters zum Stillstand kommt.

## Funktion des Spaltkeils

- Verwenden Sie das für den Spaltkeil geeignete Sägeblatt.** Damit der Spaltkeil funktioniert, muss er breiter als der Sägeblattkörper sein, und die Schnittbreite des Sägeblatts muss größer als die Spaltkeilstärke sein.
- Stellen Sie den Spaltkeil wie in dieser Anleitung beschrieben ein.** Falsche Abstände und Ausrichtungen können die Rückschlagverhinderung durch den Spaltkeil außer Kraft setzen.
- Verwenden Sie den Spaltkeil grundsätzlich, außer bei Eintauchschnitten.** Nach der Ausführung von Eintauchschnitten muss der Spaltkeil wieder eingesetzt werden. Bleibt der Spaltkeil bei Eintauchschnitten installiert, kann er die Schnittführung stören und Rückschläge auslösen.
- Damit der Spaltkeil funktioniert, muss er am Werkstück anliegen.** Bei Kurzschnitten kann der Spaltkeil Rückschläge nicht verhindern.
- Verwenden Sie die Säge nicht, falls der Spaltkeil verbogen sein sollte.** Selbst geringe Abweichungen können das ordnungsgemäße und ausreichend schnelle Schließen von Schutzeinrichtungen verhindern.

## Restrisiken.

Beim Gebrauch dieses Geräts verbleiben zusätzliche Restrisiken, die möglicherweise nicht in den Sicherheitswarnungen genannt werden. Diese Risiken bestehen beispielsweise bei Missbrauch oder längerem Gebrauch.

Auch bei der Einhaltung der entsprechenden Sicherheitsvorschriften und der Verwendung aller Sicherheitsgeräte bestehen weiterhin bestimmte Restrisiken. Diese werden im Folgenden aufgeführt:

- Das Berühren von sich drehenden/bewegenden Teilen kann Verletzungen zur Folge haben.
- Das Austauschen von Teilen, Messern oder Zubehör kann Verletzungen zur Folge haben.
- Der längere Gebrauch eines Geräts kann Verletzungen zur Folge haben. Legen Sie bei längerem Gebrauch regelmäßige Pausen ein.
- Beeinträchtigung des Gehörs.
- Gesundheitsrisiken durch das Einatmen von Staub bei Verwendung des Geräts (beispielsweise bei Holzarbeiten, insbesondere Eiche, Buche und Pressspan).

## Sägeblätter

- Verwenden Sie niemals Sägeblätter mit größerem oder kleinerem Durchmesser als hier angegeben. Angaben zur richtigen Sägeblattgröße finden Sie in den technischen Daten. Verwenden Sie nur Sägeblätter, die mit den Angaben in dieser Anleitung und mit den Richtlinien gemäß EN 847-1 übereinstimmen.

- Achtung!** Verwenden Sie auf keinen Fall Trennscheiben.

## Sicherheit anderer Personen

- Dieses Gerät darf nicht von Personen (einschließlich Kindern) mit eingeschränkten körperlichen, sensorischen oder geistigen Fähigkeiten sowie mangelnder Erfahrung und Kenntnissen bedient werden, es sei denn, sie werden bei der Verwendung des Geräts von einer erfahrenen Person beaufsichtigt oder angeleitet.
- Kinder müssen beaufsichtigt werden, um sicherzustellen, dass sie nicht mit dem Gerät spielen.

## Vibration

Die in den Abschnitten "Technische Daten" und "EU-Konformitätserklärung" angegebenen Werte für die Vibrationsemission wurden mit einer Standard-Prüfmethode nach EN 60745 ermittelt und können zum Vergleich verschiedener Geräte herangezogen werden. Außerdem kann mit Hilfe dieses Werts die Belastung bei Verwendung des Geräts schon im Voraus eingeschätzt werden.

**Achtung!** Die bei Verwendung des Geräts auftretende Vibrationsemission hängt von der Art des Gerätegebrauchs ab und kann dementsprechend von dem angegebenen Wert abweichen. Gegebenenfalls kann die Vibration über dem angegebenen Wert liegen.

Mithilfe der ermittelten Werte der Vibrationsbelastung durch Elektrogeräte lassen sich Sicherheitsmaßnahmen festlegen, die gemäß 2002/44/EG zum Schutz von Personen bestimmt sind, die diese Geräte regelmäßig bei der Arbeit verwenden. Bei der Einschätzung der Vibrationsbelastung sollten die Gebrauchsumstände und die Art der Verwendung des Geräts sowie alle Schritte des Arbeitszyklus berücksichtigt werden, wozu Ruhe-, Leerlauf- und Startzeiten gehören.

## Warnsymbole am Gerät

Am Gerät sind folgende Warnsymbole angebracht:



**Achtung!** Lesen Sie vor Gebrauch die Anleitung. Andernfalls besteht Verletzungsgefahr.

## Elektrische Sicherheit



Dieses Gerät ist schutzisoliert, daher ist keine Erdleitung erforderlich. Überprüfen Sie stets, ob die Netzspannung der auf dem Typenschild des Geräts angegebenen Spannung entspricht.

- ◆ Ist das Netzkabel beschädigt, muss es durch den Hersteller oder eine Stanley Fat Max Vertragswerkstatt ausgetauscht werden, um eine mögliche Gefährdung zu vermeiden.

## Merkmale

Dieses Gerät verfügt über einige oder alle der folgenden

Merkmale:

1. Ein-/Ausschalter
2. Einschaltsperr
3. Hauptgriff
4. Zusatzgriff
5. Spindelarrretierung
6. Sägeschuh
7. Sägeblatt
8. Sägeblattschutz
9. Spaltkeil
10. Staubabsaugöffnung

## Montage

**Achtung!** Vergewissern Sie sich vor Ausführung der folgenden Schritte, dass das Gerät ausgeschaltet und vom Stromnetz getrennt ist, und dass das Sägeblatt zum Stillstand gekommen ist.

## Entfernen und Anbringen eines Sägeblatts (Abb. A)

### Entfernen

- ◆ Halten Sie die Spindelarrretierung (5) gedrückt, und drehen Sie das Sägeblatt, bis die Spindelarrretierung einrastet.
- ◆ Lösen und entfernen Sie die Sägeblattschraube (11) durch Drehen des mitgelieferten Schraubenschlüssels (12) gegen den Uhrzeigersinn.
- ◆ Nehmen Sie die äußere Unterlegscheibe (13) ab.
- ◆ Nehmen Sie das Sägeblatt (7) ab.

### Anbringen

- ◆ Bringen Sie das Sägeblatt auf dem inneren Flansch (14) so an, dass der Pfeil auf dem Sägeblatt so wie der Pfeil auf dem Gerät ausgerichtet ist.
- ◆ Bringen Sie die äußere Unterlegscheibe (13) auf der Spindel an, sodass die erhöhte Seite nach außen, also vom Sägeblatt weg weist.
- ◆ Setzen Sie die Sägeblattschraube (11) in die Öffnung ein.
- ◆ Halten Sie die Spindelarrretierung (5) gedrückt.
- ◆ Ziehen Sie die Sägeblattschraube durch Drehen des mitgelieferten Schraubenschlüssels (12) im Uhrzeigersinn fest.
- ◆ Stellen Sie den Spaltkeil wie nachfolgend beschrieben ein.

## Einstellen des Spaltkeils (Abb. B)

Der Spaltkeil verhindert das Einklemmen des Sägeblatts beim Längsschneiden. Der Spaltkeil muss nach dem Auswechseln des Sägeblatts eingestellt werden.

- ◆ Lösen Sie die Schrauben (15) mit dem Schraubenschlüssel (12), während Sie den Spaltkeil in der richtigen Position halten.
- ◆ Richten Sie den Spaltkeil (9) wie in der Abbildung gezeigt aus.
- ◆ Der Abstand zwischen den Sägezähnen und dem Spaltkeil sollte 2–3 mm betragen.
- ◆ Der untere Rand des Sägeblatts sollte 2–3 mm über die Unterkante des Spaltkeils hervorstehten.
- ◆ Ziehen Sie die Schrauben fest.

## Anbringen und Entfernen des Parallelanschlages (Abb. C)

- ◆ Der Parallelanschlag wird zum Schneiden in einer geraden Linie parallel zur Kante des Werkstücks verwendet.

### Anbringen

- ◆ Lösen Sie die Verriegelung (16).
- ◆ Führen Sie den Parallelanschlag (17) durch die Öffnungen ein (18).
- ◆ Schieben Sie den Parallelanschlag in die gewünschte Position.
- ◆ Ziehen Sie die Verriegelung fest.

### Entfernen

- ◆ Lösen Sie die Verriegelung.
- ◆ Ziehen Sie den Parallelanschlag aus dem Gerät.

## Gebrauch

**Achtung!** Beschleunigen Sie den Arbeitsvorgang nicht mit Gewalt. Vermeiden Sie eine Überlastung des Geräts.

Dieses Gerät kann in der rechten oder linken Hand verwendet werden.

## Einstellen des Schnittwinkels (Abb. D)

- ◆ Überprüfen Sie mit einem Anschlagwinkel, ob der Winkel zwischen dem Sägeblatt und dem Sägeschuh 90° beträgt. Wenn der Winkel nicht 90° beträgt, stellen Sie ihn wie nachfolgend beschrieben ein:
  - ◆ Lockern Sie die Verriegelung (19), um den Sägeschuh freizugeben.
  - ◆ Lösen Sie die Sicherungsmutter (20) an der Einstellschraube (21).
  - ◆ Drehen Sie die Einstellschraube hinein oder heraus, um einen Winkel von 90° zu erzielen.
  - ◆ Ziehen Sie die Sicherungsmutter wieder fest.
  - ◆ Schrauben Sie die Verriegelung fest, um den Sägeschuh in der geänderten Position zu sichern.

## Einstellen der Schnitttiefe (Abb. E)

Die Schnitttiefe sollte an die Dicke des Werkstücks angepasst werden. Die Dicke des Werkstücks sollte um etwa 2 mm überschritten werden.

- ◆ Lockern Sie die Verriegelung (22), um den Sägeschuh freizugeben.
- ◆ Bringen Sie den Sägeschuh (6) in die gewünschte Position. Die entsprechende Schnitttiefe kann auf der Skala (23) abgelesen werden.
- ◆ Ziehen Sie den Hebel fest, um den Sägeschuh in der geänderten Position zu sichern.

## Einstellen des Schrägwinkels (Abb. F)

Dieses Werkzeug kann für Gehrungsschnitte mit einem Winkel von 0° bis 45° eingestellt werden.

- ◆ Lockern Sie die Verriegelung (19), um den Sägeschuh freizugeben.
- ◆ Bringen Sie den Sägeschuh (8) in die gewünschte Position. Der entsprechende Schrägwinkel kann auf der Skala (24) abgelesen werden.
- ◆ Schrauben Sie die Verriegelung fest, um den Sägeschuh in der geänderten Position zu sichern.

## Ein- und Ausschalten

- ◆ Entriegeln Sie zum Einschalten des Geräts die Einschaltsperre (2), und drücken Sie anschließend den Ein-/Ausschalter (1).
- ◆ Lassen Sie zum Ausschalten des Gerätes den Ein-/Ausschalter los.

## Sägen

Halten Sie das Gerät immer mit beiden Händen.

- ◆ Lassen Sie das Sägeblatt einige Sekunden frei drehen, bevor Sie mit der Arbeit beginnen.
- ◆ Üben Sie während des Sägens nur einen geringen Druck auf das Gerät aus.
- ◆ Drücken Sie den Sägeblattschuh gegen das Werkstück.

**Hinweis:** Achten Sie darauf, dass sich die Zähne des Sägeblatts nicht übermäßig erhitzen.

## Verwenden der Schnitfführung (Abb. G)

Das Gerät ist mit einer Schnitfführung für gerade Schnitte (25) und für Gehrungsschnitte (26) mit einem Winkel von 45° ausgestattet.

- ◆ Stellen Sie die Schnitfführung wie nachfolgend beschrieben ein.
- ◆ Richten Sie den linken Rand der Führung (25 oder 26) auf die Schnittlinie (27) aus.
- ◆ Die Schnitfführung sollte beim Schneiden auf die Schnittlinie ausgerichtet bleiben.
- ◆ Drücken Sie den Sägeblattschuh gegen das Werkstück.

## Einstellen der Schnitfführung

- ◆ Führen Sie einen Probesschnitt bis zur Hälfte eines Stücks Abfallholz durch.
- ◆ Ziehen Sie die Säge so weit zurück, bis die Schnittlinie (27) sichtbar wird.
- ◆ Halten Sie die Säge in dieser Position, und lösen Sie die Schnitfführung auf dem Sägeschuh wie dargestellt.
- ◆ Richten Sie die 0°-Markierung (25) an der Schnitfführung auf die Schnittlinie (27) aus. Für Gehrungsschnitte mit einem Winkel von 45° richten Sie die 45°-Markierung (26) der Schnitfführung auf die Schnittlinie aus.
- ◆ Befestigen Sie die Schnitfführung mit der Schraube (28).

## Staubabsaugung

Zum Anschließen eines Staubsaugers oder einer Absaugvorrichtung ist ein Staubsaugeradapter erforderlich.

- ◆ Setzen Sie den Staubsaugeradapter in die Staubabsaugöffnung (10) ein.
- ◆ Schließen Sie den Schlauch des Staubsaugers am Adapter an.

## Hinweise für optimale Arbeitsergebnisse

- ◆ Verwenden Sie immer ein für das jeweilige Werkstück und die Art des Schnittes geeignetes Sägeblatt.
- ◆ Halten Sie das Gerät immer mit beiden Händen.
- ◆ Lassen Sie das Sägeblatt einige Sekunden frei drehen, bevor Sie mit der Arbeit beginnen.
- ◆ Üben Sie während des Sägens nur einen geringen Druck auf das Gerät aus.
- ◆ Drücken Sie den Sägeblattschuh gegen das Werkstück.
- ◆ Da Absplitterungen an der Schnittlinie auf der Oberseite des Werkstücks nicht zu vermeiden sind, schneiden Sie auf der Seite, auf der Absplitterungen akzeptabel sind.
- ◆ Um beispielsweise beim Schneiden von Laminat ein Splittern zu vermeiden, klemmen Sie eine Sperrholzplatte auf die Oberseite des Werkstücks.
- ◆ Stützen Sie große Platten ab, um ein mögliches Verklemmen oder Rückschlagen des Sägeblatts zu vermeiden. Große Platten neigen zum Durchbiegen unter ihrem eigenen Gewicht.
- ◆ Die Platte muss auf beiden Seiten von unten abgestützt werden, d. h. nahe an der Schnittlinie und nahe am Rand der zu schneidenden Platte.
- ◆ Halten Sie das zu schneidende Werkstück niemals mit den Händen oder über den Beinen.
- ◆ Fixieren Sie das Werkstück mithilfe von Klemmen auf einer stabilen Unterlage. Es ist wichtig, das Werkstück richtig abzustützen, damit es nicht zu Körperkontakt, Verklemmen des Sägeblatts oder Kontrollverlust kommt.



## Zubehörteile

Das verwendete Zubehör hat wesentlichen Einfluss auf die Leistung des Geräts. Zubehörteile von Stanley Fat Max erfüllen höchste Qualitätsstandards und wurden speziell für die Verwendung mit Ihrem Gerät entwickelt. Bei Verwendung dieses Zubehörs erhalten Sie stets optimale Ergebnisse.

## Wartung

Ihr Gerät wurde im Hinblick auf eine lange Lebensdauer und einen möglichst geringen Wartungsaufwand entwickelt. Ein dauerhafter, einwandfreier Betrieb setzt eine regelmäßige Pflege und Reinigung voraus.

**Achtung!** Schalten Sie das Gerät vor der Durchführung von Pflege-, Reinigungs- und Wartungsarbeiten aus, und ziehen Sie den Netzstecker.

- ◆ Reinigen Sie regelmäßig die Lüftungsschlitze des Geräts und des Ladegeräts mit einer weichen Bürste oder einem trockenen Tuch.
- ◆ Reinigen Sie das Motorgehäuse regelmäßig mit einem feuchten Tuch. Verwenden Sie keine scheuernden Reinigungsmittel oder Reinigungsmittel auf Lösungsmittelbasis.

## Austauschen des Netzsteckers (nur Großbritannien und Irland)

Gehen Sie folgendermaßen vor, wenn ein neuer Netzstecker angebracht werden muss:

- ◆ Entsorgen Sie den alten Stecker auf sachgerechte Weise.
- ◆ Verbinden Sie die braune Leitung mit dem spannungsführenden Anschluss des Steckers.
- ◆ Verbinden Sie die blaue Leitung mit dem neutralen Anschluss.

**Achtung!** Der Erdleiter wird nicht angeschlossen. Befolgen Sie die Anleitungen, die dem Stecker beiliegen. Empfohlene Sicherung: 13 A.

## Umweltschutz



Getrennte Entsorgung. Dieses Produkt darf keinesfalls mit dem Hausmüll entsorgt werden.

Sollten Sie Ihr Stanley Fat Max Produkt eines Tages ersetzen oder nicht mehr benötigen, entsorgen Sie es nicht mit dem Hausmüll. Führen Sie das Produkt einer getrennten Sammlung zu.



Durch die getrennte Sammlung von ausgedienten Produkten und Verpackungsmaterialien können Rohstoffe recycelt und wiederverwendet werden. Die Wiederverwendung aufbereiteter Materialien trägt zur Vermeidung der Umweltverschmutzung bei und senkt den Rohstoffbedarf.

Die Verordnung zur Abfallentsorgung Ihrer Gemeinde sieht möglicherweise vor, dass Elektrogeräte getrennt vom Hausmüll gesammelt, an der örtlichen Abfallentsorgungseinrichtung abgegeben oder beim Kauf eines neuen Produkts vom Fachhandel zur Entsorgung angenommen werden müssen.

Stanley Europe nimmt Ihre ausgedienten Stanley Fat Max Geräte gern zurück und sorgt für eine umweltfreundliche Entsorgung bzw. Wiederverwertung. Um diese Dienstleistung in Anspruch zu nehmen, geben Sie das Gerät bitte bei einer autorisierten Reparaturwerkstatt ab, die für uns die Einsammlung übernimmt.

Die Adresse der zuständigen Niederlassung von Stanley Europe steht in dieser Anleitung. Dort teilt man Ihnen gerne die nächstgelegene Vertragswerkstatt mit. Eine Liste der Vertragswerkstätten und aller Kundendienststellen von Stanley Europe sowie der zuständigen Ansprechpartner finden Sie auch im Internet unter: [www.2helpU.com](http://www.2helpU.com)

## Technische Daten

		FME300 (Typ 1)
Eingangsspannung	$V_{ac}$	230
Leistungsaufnahme	W	1,600
Leerlaufdrehzahl	$\text{min}^{-1}$	5,000
Maximale Schnitattiefe	mm	65
Maximale Schnitattiefe bei 45°	mm	50
Gehrungswinkel		
Sägeblattdurchmesser	mm	190
Sägeblattbohrung	mm	16
Breite der Sägezähne	mm	2,3
Gewicht	kg	5,4

$L_{DA}$ (Schalldruck) 94 dB(A), Unsicherheitsfaktor (K) 3 dB(A)
$L_{WA}$ (Schallleistung) 105 dB(A), Unsicherheitsfaktor (K) 3 dB(A)
Gesamtvibration (Triax-Vektorsumme) gemäß EN 60745:
Holzschneiden ( $a_{h,W}$ ) 4,8 $\text{m/s}^2$ , Unsicherheitsfaktor (K) 1,5 $\text{m/s}^2$

**EG-Konformitätserklärung**

MASCHINENRICHTLINIE



FME300

Stanley Europe erklärt, dass diese unter "Technische Daten" beschriebenen Geräte übereinstimmen mit:

2006/42/EG, EN 60745-1, EN 60745-2-5

Diese Produkte entsprechen außerdem den Richtlinien 2004/108/EG und 2011/65/EU. Weitere Informationen erhalten Sie von Stanley Europe unter der folgenden Adresse. Diese befindet sich auch auf der Rückseite dieser Anleitung.

Der Unterzeichnete ist verantwortlich für die Zusammenstellung der technischen Daten und gibt diese Erklärung im

Namen von Stanley Europe ab.

Kevin Hewitt  
Vice-President Global Engineering  
Stanley Europe, Egide Walschaertsstraat 14-18,  
2800 Mechelen, Belgien  
07/10/2013

**Garantie**

Stanley Europe vertraut auf die Qualität der eigenen Geräte und bietet gewerblichen Anwendern eine außergewöhnliche Garantie. Bei dieser Garantieerklärung handelt es sich um eine Ergänzung zu den vertraglich festgeschriebenen Rechten von Heimanwendern, die durch diese Garantieerklärung keinesfalls eingeschränkt werden. Sie gilt in sämtlichen Mitgliedstaaten der Europäischen Union und der Europäischen Freihandelszone EFTA.

**VOLLE GARANTIE FÜR EIN JAHR**

Tritt innerhalb von 12 Monaten ab Kaufdatum an einem Gerät von Stanley Fat Max ein auf Material- oder Verarbeitungsfehler zurückzuführender Mangel auf, garantiert Stanley Europe den kostenlosen Austausch sämtlicher defekter Teile bzw. – nach eigenem Ermessen – den kostenlosen Ersatz des Geräts, allerdings vorbehaltlich folgender Bedingungen:

- ◆ Das Gerät wurde gemäß dieser Anleitung verwendet.
- ◆ Das Gerät wurde nur normaler Abnutzung ausgesetzt.
- ◆ Es wurden keine Reparaturversuche durch unberechtigte Personen unternommen.
- ◆ Es ist ein Kaufbeleg vorhanden.
- ◆ Das Gerät von Stanley Fat Max wird vollständig und mit allen Originalkomponenten eingereicht.

Wenn Sie Garantieleistungen in Anspruch nehmen möchten, wenden Sie sich an den Verkäufer oder die zuständige Niederlassung von Stanley Fat Max. Die Adresse finden Sie im Stanley Fat Max Katalog, oder sie wird Ihnen von der örtlichen Niederlassung genannt, deren Adresse in dieser Anleitung steht. Eine Liste der Vertragswerkstätten und aller Kundendienststellen von Stanley Fat Max finden Sie auch im Internet unter: [www.stanley.eu/3](http://www.stanley.eu/3)

## Usage prévu

Votre scie Stanley Fat Max a été spécialement conçue pour scier du bois et des articles en bois. Cet outil a été conçu pour les utilisateurs non professionnels, ainsi que pour un usage privé et professionnel.

## Consignes de sécurité

### Consignes de sécurité concernant les outils électroportatifs



**Attention !** Lisez avec attention tous les avertissements et toutes les instructions. Le non-respect de cette consigne peut entraîner une électrocution, un incendie et/ou de graves blessures.

**Conservez tous les avertissements et instructions pour référence ultérieure.** La notion d'« outil électroportatif » mentionnée par la suite se rapporte à des outils électriques raccordés au secteur (avec câble de raccordement) ou fonctionnant avec piles (sans fil).

#### 1. Sécurité de la zone de travail

- a. **Maintenez la zone de travail propre et bien éclairée.** Un lieu de travail en désordre ou mal éclairé augmente le risque d'accidents.
- b. **N'utilisez pas les outils électroportatifs dans un environnement présentant des risques d'explosion ni en présence de liquides, gaz ou poussières inflammables.** Les outils électroportatifs génèrent des étincelles risquant d'enflammer les poussières ou les vapeurs.
- c. **Tenez les enfants et autres personnes éloignés durant l'utilisation de l'outil électroportatif.** En cas d'inattention, vous risquez de perdre le contrôle.

#### 2. Sécurité électrique

- a. **La prise de l'outil électroportatif doit être compatible avec la prise d'alimentation. Ne modifiez en aucun cas la prise. N'utilisez pas de prises d'adaptateur avec des appareils ayant une prise de terre.** Le respect de ces consignes réduit le risque de choc électrique.
- b. **Évitez le contact physique avec des surfaces mises à la terre telles que tuyaux, radiateurs, fours et réfrigérateurs.** Il y a un risque élevé de choc électrique si votre corps est relié à la terre.
- c. **N'exposez pas l'outil électroportatif à la pluie ou à l'humidité.** La pénétration d'eau dans un outil électroportatif augmente le risque de choc électrique.

- d. **Préservez le câble d'alimentation. N'utilisez pas le câble pour porter l'outil. Ne le tirez pas pour le débrancher. Maintenez le câble éloigné des sources de chaleurs, des parties huilées, des bords tranchants ou des parties de l'appareil en rotation.** Le risque de choc électrique augmente si les câbles sont endommagés ou emmêlés.
  - e. **Si vous utilisez l'outil électroportatif à l'extérieur, utilisez une rallonge homologuée pour une utilisation à l'extérieur.** L'utilisation d'une rallonge électrique homologuée pour les travaux à l'extérieur réduit le risque de choc électrique.
  - f. **Si l'outil doit être utilisé dans un endroit humide, prenez les précautions nécessaires en utilisant un dispositif à courant résiduel (RCD).** L'utilisation d'un tel dispositif réduit les risques d'électrocution.
- #### 3. Sécurité personnelle
- a. **Restez vigilant, surveillez ce que vous faites. Faites preuve de bon sens quand vous utilisez un outil électroportatif. N'utilisez pas l'outil lorsque vous êtes fatigué ou après avoir consommé de l'alcool ainsi que des médicaments.** Un moment d'inattention lors de l'utilisation de l'outil peut entraîner de graves blessures.
  - b. **Portez un équipement de protection. Portez toujours des lunettes de protection.** Selon le travail à effectuer, le port d'équipement de protection tels que masque anti-poussières, chaussures de sécurité antidérapantes, casque ou protection auditive, réduit le risque de blessures.
  - c. **Évitez un démarrage imprévu. L'outil doit être en position OFF (arrêt) avant d'effectuer le branchement à l'alimentation et/ou au bloc-batterie, de le ramasser ou de le porter.** Ne laissez pas votre doigt sur le bouton de commande en le transportant. N'alimentez pas l'outil si le bouton est activé. Ceci pourrait être à l'origine d'accident.
  - d. **Enlevez tout outil ou clé de réglage avant de mettre l'appareil en marche.** Une clé ou un outil se trouvant sur une pièce en rotation peut causer des blessures.
  - e. **Adoptez une position confortable. Adoptez une position stable et gardez votre équilibre en permanence.** Vous contrôlerez mieux l'outil dans des situations inattendues.
  - f. **Portez des vêtements appropriés. Ne portez pas de vêtements amples ou de bijoux. N'approchez pas les cheveux, vêtements ou gants des parties des pièces mobiles.** Les vêtements amples, les bijoux ou les cheveux longs peuvent s'accrocher dans les pièces en mouvement.


- g. Si des appareils servant à aspirer ou à recueillir les poussières sont utilisés, assurez-vous qu'ils sont correctement raccordés et utilisés. L'utilisation de tels appareils réduit les dangers dus aux poussières.
4. Utilisation des outils électroportatifs et précautions
- a. Respectez la capacité de l'outil. Utilisez l'outil électroportatif correspondant au travail à effectuer. Avec un outil approprié, vous travaillerez mieux et en toute sécurité.
- b. N'utilisez pas un outil électroportatif dont l'interrupteur est défectueux. Un outil électrique qui ne répond pas à la commande marche/arrêt est dangereux et doit être réparé.
- c. Retirez la prise de courant et/ou débranchez le bloc-batterie avant d'effectuer des réglages, de changer les accessoires ou de ranger l'outil. Cette mesure de précaution empêche de mettre l'outil en marche accidentellement.
- d. Rangez les outils électroportatifs hors de portée des enfants. Les personnes ne connaissant pas l'outil ou n'ayant pas lu ces instructions ne doivent en aucun cas l'utiliser. Les outils électroportatifs sont dangereux lorsqu'ils sont utilisés par des personnes non initiées.
- e. Entretenez les outils électroportatifs. Vérifiez que les parties mobiles fonctionnent correctement et qu'elles ne sont pas coincées. Vérifiez qu'il n'y a pas de pièces cassées ou endommagées susceptibles de nuire au bon fonctionnement de l'outil. S'il est endommagé, faites réparer l'outil avant de l'utiliser. De nombreux accidents sont dus à des outils électroportatifs mal entretenus.
- f. Maintenez les outils de coupe aiguisés et propres. Des outils soigneusement entretenus avec des bords tranchants bien aiguisés se coincent moins souvent et peuvent être guidés plus facilement.
- g. Utilisez les outils électroportatifs, les accessoires, etc., en suivant ces instructions et en tenant compte des conditions de travail, ainsi que du travail à effectuer. L'utilisation des outils électroportatifs à d'autres fins que celles prévues peut vous mettre en situation dangereuse.
5. Réparations
- a. Faites réparer votre outil électroportatif uniquement par du personnel qualifié et seulement avec des pièces de rechange appropriées. Cela garantira le maintien de la sécurité de l'outil électrique.

## Consignes de sécurité supplémentaires concernant les outils électriques



Attention ! Consignes de sécurité pour toutes les scies

### Procédures de coupe

- a.  Éloignez vos mains de la zone de découpe et de la lame. Gardez une main sur la poignée auxiliaire ou sur le boîtier du moteur. Si les deux mains maintiennent la scie, il n'y a aucun risque de coupure avec la lame.
- b. Ne passez pas vos mains sous la pièce à couper. Le protège-lame ne vous protégera pas de la lame à ce niveau là.
- c. Réglez la profondeur de coupe par rapport à l'épaisseur de la pièce à couper. Moins d'une dent entière de la lame doit apparaître sous la pièce à couper.
- d. Ne tenez jamais la pièce à couper dans vos mains ou entre vos jambes. Fixez la pièce à couper sur un endroit stable. La pièce à couper doit être correctement soutenue pour éviter de coincer la lame, de perdre le contrôle et pour limiter les risques de blessures.
- e. Tenez l'outil uniquement au niveau des surfaces de prise isolées. Cela permet d'éviter les accidents en cas de contact de l'outil avec des fils cachés ou son propre câble. Tout contact avec un fil « sous tension » pourrait transférer une charge électrique aux parties métalliques exposées de l'outil électrique et exposer l'opérateur à un choc électrique.
- f. Pour une coupe en long, utilisez toujours un guide longitudinal ou un guide de traçage. Ceci afin d'obtenir une coupe parfaite et d'empêcher au maximum la lame de se coincer.
- g. Utilisez toujours des lames correspondant à la forme et la taille appropriées (diamant ou ronde) du trou de la tige. Les lames qui ne s'adaptent pas se décentrent, ce qui vous fera perdre le contrôle de la scie.
- h. N'utilisez jamais de boulon ou de rondelles de lame non adaptés ou endommagés. Les rondelles de lame et le boulon spécialement conçus pour votre scie sont destinés à assurer un rendement maximal et une utilisation en toute sécurité.

## Consignes de sécurité supplémentaires pour toutes les scies

### Causes des effets de retour et dangers liés à ce phénomène

- ◆ Un effet de retour est une réaction brusque provoquée par une lame de scie décentrée ou coincée. La scie qui n'est plus contrôlée, peut sortir de la pièce à couper et être projetée vers l'utilisateur ;
- ◆ Quand la lame est coincée ou accrochée dans l'entaille, elle s'arrête brutalement, ce qui par réaction retourne la scie vers l'utilisateur ;
- ◆ Si la lame se tord ou se décentre dans l'entaille, les dents à l'arrière de la lame peuvent creuser dans la surface supérieure du bois, la lame remonte alors dans l'entaille ce qui a pour effet de projeter la scie vers l'utilisateur.

L'effet de retour est le résultat d'une utilisation inappropriée de la scie voire de procédures ou de conditions d'utilisation incorrectes. Il peut être évité en appliquant les précautions adéquates, décrites ci-dessous.

- a. **Tenez fermement la scie avec les deux mains et placez vos bras de manière à pouvoir résister à l'effet de retour. Mettez vous d'un côté de la lame, mais ne vous alignez pas à la lame.** La scie peut être éjectée avec l'effet de retour. L'utilisateur peut malgré tout contrôler la scie si les précautions nécessaires sont prises.
- b. **Quand la lame se coince ou quand la coupe est interrompue pour une raison quelconque, relâchez le déclencheur et maintenez la scie dans la pièce à couper jusqu'à ce que la lame s'arrête complètement. N'essayez jamais de retirer la scie de la pièce de travail ou de tirer la scie vers l'arrière temps que la lame bouge. Un effet de retour pourrait se produire.** Recherchez pourquoi la lame se coince et prenez les mesures appropriées pour éliminer le problème.
- c. **Pour redémarrer une scie dont la lame est dans la pièce à couper, centrez la lame dans l'entaille et assurez-vous que les dents ne sont pas dans le bois.** Si la lame se coince, il peut y avoir un effet de retour ou un sursaut de la pièce à couper quand la scie redémarre.
- d. **Soutenez les grands panneaux pour limiter les pincements et les effets de retour de la lame.** Les grands panneaux ont tendance à fléchir à cause de leur propre poids. Il faut les maintenir en dessous et des deux côtés, près de la ligne de coupe et près du bord du panneau.
- e. **N'utilisez pas de lame émoussée ou endommagée.** Les lames émoussées ou mal installées produisent une entaille étroite entraînant un frottement excessif, la torsion de la lame et un effet de retour.

- f. **Les leviers de réglage de coupe en biais et de profondeur de lame doivent être serrés et fixés avant de scier.** Si le réglage de la lame saute pendant la coupe, la lame peut se coincer et produire un effet de retour.
- a. **Prenez toutes les précautions nécessaires lorsque vous sciez dans un mur existant ou dans des zones à visibilité nulle.** La lame en dépassant peut couper des objets qui peuvent provoquer un effet de retour.

### Fonctionnement du protège-lame inférieur

- a. **Vérifiez la fermeture du protège-lame inférieur avant chaque utilisation. Ne faites pas fonctionner la scie si le protège-lame inférieur ne bouge pas librement et ne se ferme pas instantanément. N'attachez ou ne serrez jamais le protège-lame en position ouverte.** Si la scie tombe par accident, le protège-lame peut être tordu. Levez le protège-lame inférieur avec la poignée et assurez-vous qu'il se déplace librement et qu'il ne touche pas la lame ou d'autres pièces, à tous les angles et profondeurs de coupe.
- b. **Vérifiez le fonctionnement du ressort du protège-lame inférieur. Si le protège-lame et le ressort ne fonctionnent pas correctement, ils doivent être réparés avant d'utiliser la scie.** Le fonctionnement du protège-lame inférieur peut ne pas être optimal si des pièces sont endommagées, ainsi qu'en présence de dépôts gluants ou d'une accumulation de débris.
- c. **Le protège-lame inférieur peut être rétracté manuellement pour effectuer des coupes spéciales uniquement, de type « coupes en plongée » et « coupes combinées ».** Levez le protège-lame inférieur en rétractant la poignée. Dès que la lame entre dans le bois, relâchez le protège-lame. Pour tous les autres modes de coupe, le protège-lame inférieur doit fonctionner automatiquement.
- d. **Assurez-vous toujours que le protège-lame recouvre la lame avant de reposer la scie sur un établi ou sur le sol.** Si une lame n'est pas protégée et n'est pas à l'arrêt complet, la scie sera éjectée vers l'arrière, coupant tout sur son passage. N'oubliez pas que la lame nécessite un certain temps pour s'arrêter après avoir relâché le bouton.

### Fonction de couteau diviseur

- a. **Utilisez la lame de scie appropriée au couteau diviseur.** Pour que le couteau diviseur fonctionne, le corps de la lame doit être plus fin que le couteau et la largeur de coupe de la lame doit être supérieure à l'épaisseur du couteau diviseur.
- b. **Ajustez le couteau diviseur comme décrit dans ce manuel d'utilisation.** Si l'espace, la position ou l'alignement se sont pas appropriés, le couteau diviseur risque de ne pas pouvoir éviter un effet de retour.

- c. **Utilisez toujours le couteau diviseur sauf pour les coupes en plongée.** Le couteau diviseur doit être remplacé après une coupe en plongée. Il risque de bloquer la lame pendant une coupe en plongée et peut créer un effet de retour.
- d. **Pour que le couteau diviseur fonctionne, il doit être engagé dans la pièce à couper.** Le couteau diviseur est incapable d'éviter un effet de retour pendant les courtes coupes.
- e. **N'utilisez pas la scie si le couteau diviseur est tordu.** Même un léger blocage peut ralentir la fermeture d'un protège-lame.

### Risques résiduels.

L'utilisation d'un outil non mentionné dans les consignes de sécurité données peut entraîner des risques résiduels supplémentaires. Ces risques peuvent survenir si l'appareil est mal utilisé, si l'utilisation est prolongée, etc.

Malgré l'application des normes de sécurité correspondantes et la présence de dispositifs de sécurité, les risques résiduels suivants ne peuvent être évités. Ceci comprend :

- ◆ Les blessures dues au contact avec une pièce mobile/en rotation.
- ◆ Les blessures causées en changeant des pièces, lames ou accessoires.
- ◆ Les blessures dues à l'utilisation prolongée d'un outil. Une utilisation prolongée de l'outil nécessite des pauses régulières.
- ◆ Déficience auditive.
- ◆ Risques pour la santé causés par l'inhalation de poussières produites pendant l'utilisation de l'outil (exemple : travail avec du bois, surtout le chêne, le hêtre et les panneaux en MDF).

### Lames de scie

- ◆ N'utilisez pas de lame d'un diamètre supérieur ou inférieur à celui recommandé. Reportez-vous aux données techniques pour connaître les diamètres appropriés. Utilisez uniquement les lames mentionnées dans ce manuel, conformes à la norme EN 847-1.
- ◆ **Attention !** N'utilisez jamais de disques abrasifs.

### Sécurité des personnes

- ◆ Cet appareil n'est pas conçu pour être utilisé par des personnes (y compris les enfants) souffrant de déficiences physiques, mentales ou sensorielles ou qui manquent d'expérience et de connaissance, sans avoir reçu les instructions appropriées à l'utilisation de l'appareil ou être encadrées par une personne responsable de leur sécurité.
- ◆ Surveillez les enfants afin d'éviter qu'ils jouent avec cet appareil.

### Vibration

La valeur des émissions de vibration déclarée dans la section Déclaration/Données techniques de conformité a été mesurée selon une méthode d'essai standard fournie par la norme EN 60745 et peut être utilisée pour comparer un outil à un autre. Elle peut aussi être utilisée pour une évaluation préliminaire à l'exposition.

**Attention !** Selon la manière dont l'outil est utilisé, la valeur des émissions de vibration pendant l'utilisation de l'outil peut être différente de la valeur déclarée. Le niveau de vibration peut augmenter au-dessus du niveau établi.

Quand l'exposition aux vibrations est évaluée afin de déterminer les mesures de sécurité requises par la norme 2002/44/CE pour protéger les personnes utilisant régulièrement des outils électroportatif, il faut tenir compte d'une estimation de l'exposition aux vibrations, des conditions actuelles d'utilisation et de la manière dont l'outil est utilisé. Il faut aussi tenir compte de toutes les pièces du cycle de fonctionnement comme la durée pendant laquelle l'outil est arrêté et quand il fonctionne au ralenti, ainsi que la durée du déclenchement.

### Étiquettes de l'outil

Les symboles ci-dessous se trouvent sur l'outil :



**Attention !** Pour réduire les risques de blessure, l'utilisateur doit lire le manuel d'instructions.

### Sécurité électrique



Cet outil est doublement isolé. Par conséquent, aucun câble de mise à la terre n'est nécessaire. Vérifiez si l'alimentation mentionnée sur la plaque signalétique de l'outil correspond bien à la tension présente sur le lieu.

- ◆ Si le câble d'alimentation est endommagé, il doit être remplacé par le fabricant ou par un Centre de réparation agréé Stanley Fat Max pour éviter les risques éventuels.

### Fonctionnalités

Cet outil présente la totalité ou une partie des caractéristiques suivantes.

1. Bouton marche/arrêt
2. Bouton de déblocage
3. Poignée principale
4. Poignée secondaire
5. Bouton de verrouillage de l'axe
6. Semelle
7. Lame de scie

- 8. Protège-lame
- 9. Couteau diviseur
- 10. Sortie de poussière

## Assemblage

**Attention !** Avant d'exécuter une des opérations ci-dessous, assurez-vous que l'outil est hors tension et débranché et que la lame n'est pas en mouvement.

### Installation et retrait d'une lame (figure A)

#### Retrait

- ◆ Maintenez le bouton de verrouillage de l'axe (5) enfoncé et tournez la lame jusqu'à l'enclenchement du verrouillage.
- ◆ Desserrez et retirez la vis de fixation de la lame (11) en la tournant dans le sens inverse des aiguilles d'une montre à l'aide de la clé (12) fournie.
- ◆ Retirez la rondelle extérieure (13).
- ◆ Retirez la lame (7).

#### Mise en place

- ◆ Placez la lame sur la bride intérieure (14) en veillant à orienter la flèche apposée sur la lame dans la même direction que la flèche apposée sur l'outil.
- ◆ Installez la rondelle extérieure (13) sur l'axe, en orientant la partie relevée vers l'extérieur de la lame.
- ◆ Insérez la vis de fixation de la lame (11) dans le trou.
- ◆ Maintenez le bouton de verrouillage de l'axe (5) enfoncé.
- ◆ Serrez fermement la vis de fixation de la lame en la tournant dans le sens des aiguilles d'une montre à l'aide de la clé (12) fournie.
- ◆ Ajustez le couteau diviseur comme décrit ci-dessous.

### Réglage du couteau diviseur (figure B)

Le couteau diviseur empêche la lame de se coincer pendant les coupes longitudinales. Le couteau diviseur doit être ajusté après le remplacement de la lame.

- ◆ Desserrez les vis (15) à l'aide de la clé (12) en maintenant le couteau diviseur en position.
- ◆ Positionnez le couteau diviseur (9) comme illustré.
- ◆ La distance entre la couronne dentée et le couteau diviseur doit être de 2 à 3 mm.
- ◆ La différence de hauteur entre la couronne dentée et l'extrémité inférieure du couteau diviseur doit être de 2 à 3 mm.
- ◆ Serrez les vis.

### Installation et retrait du guide parallèle (figure C)

- ◆ Le guide parallèle est utilisé pour scier une ligne droite parallèle au bord de la pièce à couper.

#### Mise en place

- ◆ Desserrez le bouton de verrouillage (16).
- ◆ Insérez le guide parallèle (17) par les ouvertures (18).
- ◆ Glissez le guide parallèle dans la position requise.
- ◆ Serrez le bouton de verrouillage.

#### Retrait

- ◆ Desserrez le bouton de verrouillage.
- ◆ Tirez le guide parallèle hors de l'outil.

#### Utilisation

**Attention !** Laissez l'outil fonctionner à sa propre vitesse. Ne le poussez pas au-delà de sa limite.

Cet outil est adapté pour gaucher et droitier.

### Ajustement de l'angle de coupe (figure D)

- ◆ Utilisez une équerre pour vérifier si l'angle entre la lame et la semelle est de 90°. Si l'angle ne mesure pas 90°, ajustez-le comme suit :
  - ◆ Desserrez le bouton de verrouillage (19) pour déverrouiller la semelle.
  - ◆ Desserrez l'écrou de blocage (20) sur la vis de réglage (21).
  - ◆ Serrez la vis de réglage vers l'intérieur ou l'extérieur pour atteindre un angle de 90°.
  - ◆ Serrez l'écrou de blocage.
  - ◆ Serrez le bouton de verrouillage pour bloquer la semelle.

### Réglage de la profondeur de coupe (figure E)

La profondeur de coupe doit être réglée en fonction de l'épaisseur de la pièce à couper. Elle doit avoir environ 2 mm de plus que l'épaisseur.

- ◆ Desserrez le bouton (22) pour déverrouiller la semelle.
- ◆ Déplacez la semelle (6) dans la position souhaitée. La profondeur de coupe correspondante peut être lue sur le dispositif de mesure (23).
- ◆ Serrez le bouton pour bloquer la semelle.

### Ajustement de l'angle de coupe en biais (figure D)

Cet outil peut être réglé pour couper des angles en biais entre 0° et 45°.

- ◆ Desserrez le bouton de verrouillage (19) pour déverrouiller la semelle.
- ◆ Déplacez la semelle (8) dans la position souhaitée. L'angle de coupe en biais correspondant peut être lu sur le dispositif de mesure (24).
- ◆ Serrez le bouton de verrouillage pour bloquer la semelle.

#### Mise en marche et arrêt

- ◆ Pour mettre l'outil en marche, déplacez le bouton de déblocage (2) sur la position de déverrouillage et appuyez sur le bouton marche/arrêt (1).

- ◆ Pour arrêter l'outil, relâchez le bouton marche/arrêt.

## Scier

Tenez toujours l'outil avec les deux mains.

- ◆ Laissez la lame fonctionner librement pendant quelques secondes avant de commencer la découpe.
- ◆ N'appliquez qu'une légère pression sur l'outil pendant la découpe.
- ◆ Travaillez avec la semelle contre la pièce.

**Remarque :** Évitez toute surchauffe des extrémités de lame.

## Utilisation du guide de coupe (figure G)

L'outil est équipé d'un guide de coupe pour les coupes droites (25) et les coupes en biais de 45° (26).

- ◆ Ajustez le guide comme décrit ci-dessous.
- ◆ Alignez le bord gauche des guides (25) ou (26) sur la ligne de coupe (27).
- ◆ Maintenez le guide de coupe aligné sur la ligne de coupe pendant que vous sciez.
- ◆ Travaillez avec la semelle contre la pièce.

## Réglage du guide de coupe

- ◆ Effectuez un essai sur la moitié d'un morceau de bois.
- ◆ Retirez la scie pour que la ligne de coupe (27) apparaisse.
- ◆ En maintenant la scie dans cette position, desserrez le guide de coupe sur la semelle comme illustré.
- ◆ Alignez le repère 0° (25) du guide de coupe sur la ligne de coupe (27). Pour les coupes en biais de 45°, alignez le repère 45° (26) du guide de coupe sur la ligne de coupe.
- ◆ Fixez le guide de coupe à l'aide de la vis (28).

## Évacuation de poussière

Pour raccorder un aspirateur ou le récupérateur de poussière à l'outil, vous avez besoin d'un adaptateur.

- ◆ Insérez l'adaptateur du récupérateur de poussière dans la sortie de poussière de la scie (10).
- ◆ Raccordez le tuyau de l'aspirateur à l'adaptateur.

## Conseils pour une utilisation optimale

- ◆ Utilisez toujours le type de lame approprié au matériau de la pièce à couper.
- ◆ Tenez toujours l'outil avec les deux mains.
- ◆ Laissez la lame fonctionner librement pendant quelques secondes avant de commencer la découpe.
- ◆ N'appliquez qu'une légère pression sur l'outil pendant la découpe.
- ◆ Travaillez avec la semelle contre la pièce.
- ◆ Étant donné que les éclats de bois le long de la ligne de coupe sont inévitables, coupez sur le côté où les éclats sont acceptables.

- ◆ Pour limiter les éclats de bois, par exemple en coupant de l'aggloméré, serrez un morceau de contreplaqué sur le dessus de la pièce à couper.
- ◆ Soutenez les grands panneaux pour limiter les pincements et les effets de retour de la lame. Les grands panneaux ont tendance à fléchir à cause de leur propre poids.
- ◆ Il faut les maintenir en dessous et des deux côtés, près de la ligne de coupe et près du bord du panneau à couper.
- ◆ Ne tenez jamais la pièce à couper dans vos mains ou entre vos jambes.
- ◆ Fixez la pièce à couper sur un endroit stable à l'aide de pinces. La pièce à couper doit être correctement soutenue pour éviter de coincer la lame, de perdre le contrôle et pour limiter les risques de blessures.

## Accessoires

La qualité du travail réalisé par votre outil dépend des accessoires utilisés. Les accessoires Stanley Fat Max correspondent aux normes de qualité supérieure et sont conçus pour donner le meilleur résultat possible. L'utilisation de ces accessoires vous permettra de tirer pleinement profit de votre outil.

## Entretien

Votre outil a été conçu pour fonctionner pendant longtemps avec un minimum d'entretien. Un fonctionnement continu satisfaisant dépend d'un nettoyage régulier et d'un entretien approprié de l'outil.

**Attention !** Préalablement à toute opération d'entretien, éteignez et débranchez l'outil.

- ◆ Nettoyez régulièrement les orifices de ventilation de votre outil et chargeur à l'aide d'une brosse souple ou d'un chiffon sec.
- ◆ Nettoyez régulièrement le compartiment du moteur à l'aide d'un chiffon humide. N'utilisez pas de produit abrasif ou à base de solvant.

## Remplacement des prises secteur (RU et Irlande uniquement)

Si une nouvelle prise secteur doit être installée :

- ◆ Mettez au rebut la vieille prise.
- ◆ Branchez le fil brun dans la borne de la nouvelle prise.
- ◆ Branchez le fil bleu à la borne neutre.

**Attention !** Aucune connexion ne doit être faite à la borne de terre. Suivez les instructions de montage fournies avec les prises de bonne qualité. Fusibles recommandés : 13 A.

## Protection de l'environnement



Recyclage. Ce produit ne doit pas être jeté avec les déchets ménagers.



Si votre appareil/outil Stanley Fat Max doit être remplacé ou si vous ne l'utilisez plus, ne le jetez pas avec les ordures ménagères. Songez à la protection de l'environnement et recyclez-le.



La collecte séparée des produits et des emballages usagés permet de recycler et de réutiliser des matériaux.

La réutilisation de matériaux recyclés évite la pollution de l'environnement et réduit la demande de matières premières.

Des réglementations locales peuvent stipuler la collecte séparée des produits électriques et des produits ménagers, dans des déchetteries municipales ou par le revendeur lorsque vous achetez un nouveau produit.

Stanley Europe offre une solution permettant de recycler les produits Stanley Fat Max lorsqu'ils ont atteint la fin de leur cycle de vie. Pour pouvoir profiter de ce service, veuillez retourner votre produit à un réparateur agréé qui se chargera de le collecter pour nous.

Pour connaître l'adresse du réparateur agréé le plus proche de chez vous, contactez le bureau Stanley Europe à l'adresse indiquée dans ce manuel. Une liste de réparateurs agréés par Stanley Europe et de plus amples détails sur notre service après-vente et ses coordonnées sont disponibles sur le site Internet à l'adresse suivante : [www.2helpU.com](http://www.2helpU.com)

## Caractéristiques techniques

FME300 (Type 1)	
Tension d'entrée	$V_{ac}$ 230
Puissance	W 1,600
Vitesse à vide	$min^{-1}$ 5,000
Profondeur de coupe maximum	mm 65
Profondeur de coupe maximum en biais à 45°	mm 50
Diamètre de lame	mm 190
Alésage de lame	mm 16
Largeur de l'extrémité de la lame	mm 2.3
Poids	kg 5,4

$L_{pA}$ (pression sonore) 94 dB(A), incertitude (K) 3 dB(A)
$L_{WA}$ (pression sonore) 105 dB(A), incertitude (K) 3 dB(A)
Valeurs totales des vibrations (somme vectorielle triaxiale) selon la norme EN 60745 :
Coupe, bois ( $a_{h,w}$ ) 4,8 $m/s^2$ , incertitude (K) 1,5 $m/s^2$

## Déclaration de conformité CE

CONSIGNES DE MACHINERIE



FME300

Stanley Europe confirme que les produits décrits dans les « Caractéristiques techniques » sont conformes aux normes :

2006/42/CE, EN 60745-1, EN 60745-2-5

Ces produits sont conformes aux Directives 2004/108/CE et 2011/65/UE. Pour plus de détails, veuillez contacter Stanley Europe à l'adresse suivante ou reportez-vous au dos du

manuel.

Le soussigné est responsable des données de la fiche technique et fait cette déclaration au nom de Stanley Europe.

Kevin Hewitt

Vice-Président - ingénierie internationale  
Stanley Europe, Egide Walschaertsstraat 14-18,  
2800 Malines, Belgique

07/10/2013

## Garantie

Stanley Europe assure la qualité de ses produits et offre aux utilisateurs professionnels une garantie très élargie. Ce certificat de garantie est un document supplémentaire et ne peut en aucun cas se substituer à vos droits contractuels en tant qu'utilisateur privé non professionnel. La garantie est valable sur tout le territoire des États Membres de l'Union Européenne et de la Zone de Libre Échange Européenne.

### GARANTIE TOTALE UN AN

Si un produit Stanley Fat Max s'avère défectueux en raison de matériaux en mauvais état ou d'une erreur humaine dans les 12 mois suivant la date d'achat, Stanley Europe garantit le remplacement gratuit ou – à sa discrétion - des pièces défectueuses si :

- ◆ Le produit a été correctement utilisé et a été utilisé en respectant les instructions du manuel.
- ◆ L'usure du produit est normale ;
- ◆ Les réparations ont été effectuées par des personnes agréées ;
- ◆ Une preuve d'achat est donnée ;
- ◆ Le produit Stanley Fat Max est réexpédié avec tous les composants d'origine.

Pour toute réclamation, contactez votre revendeur ou recherchez l'adresse du réparateur agréé par Stanley Fat Max le plus proche de chez vous dans le catalogue Stanley Fat Max, ou bien contactez le bureau local Stanley à l'adresse indiquée dans ce manuel. Une liste de réparateurs agréés par Stanley Fat Max et de plus amples détails sur notre service après-vente sont disponibles sur le site Internet à l'adresse suivante : [www.stanley.eu/3](http://www.stanley.eu/3)

## Uso previsto

La sega Stanley Fat Max è stata progettata per segare legno e oggetti in legno. Questo elettrotensile è stato progettato per uso professionale e privato, e per utenti non professionisti.

## Istruzioni di sicurezza

### Avvisi di sicurezza generici per gli elettrotensili



**Attenzione!** Leggere tutti gli avvisi di sicurezza e tutte le istruzioni. La mancata osservazione dei presenti avvisi e istruzioni potrebbe causare scosse elettriche, incendi e/o infortuni gravi.

**Conservare tutte le istruzioni e le avvertenze per futura consultazione.** Il termine "elettrotensile" che ricorre in tutti gli avvisi seguenti si riferisce ad utensili elettrici con o senza filo.

#### 1. Sicurezza nella zona di lavoro

- a. **Mantenere pulita e ben illuminata la zona di lavoro.** Disordine o scarsa illuminazione possono causare incidenti.
- b. **Evitare d'impiegare gli elettrotensili in ambienti esposti al rischio di esplosione, ad esempio in presenza di liquidi, gas o polveri infiammabili.** Gli elettrotensili producono scintille che possono far infiammare la polvere o i fumi.
- c. **Mantenere lontani bambini e osservatori mentre si usa l'elettrotensile.** Eventuali distrazioni possono comportare la perdita del controllo dell'elettrotensile.

#### 2. Sicurezza elettrica

- a. **Le spine elettriche degli elettrotensili devono essere adatte alla presa. Evitare assolutamente di modificare la spina elettrica. Non usare adattatori con elettrotensili provvisti di messa a terra.** L'uso di spine inalterate e delle prese corrispondenti riduce il rischio di scosse elettriche.
- b. **Evitare il contatto fisico con superfici collegate a terra, come tubi, radiatori, forni e frigoriferi.** Un corpo collegato a terra è esposto maggiormente al rischio di scosse elettriche.
- c. **Custodire gli elettrotensili al riparo dalla pioggia o dall'umidità.** L'eventuale infiltrazione di acqua in un elettrotensile va ad aumentare il rischio di scosse elettriche.
- d. **Non utilizzare il cavo in modo improprio. Non usare il cavo per trasportare o trainare l'elettrotensile e non tirarlo per estrarre la spina dalla presa di corrente. Mantenere il cavo al riparo da calore, olio, bordi taglienti e/o da parti in movimento.** I cavi danneggiati o aggrovigliati aumentano il rischio di scosse elettriche.

- e. **Se l'elettrotensile viene adoperato all'aperto, usare esclusivamente prolunghes omologate per l'impiego all'esterno.** Un cavo adatto per uso esterno riduce il rischio di scosse elettriche.
  - f. **Se non è possibile evitare di lavorare in una zona umida, usare un'alimentazione elettrica protetta da un dispositivo a corrente residua (RCD).** L'uso di un dispositivo RCD riduce il rischio di scosse elettriche.
- #### 3. Sicurezza delle persone
- a. **È importante concentrarsi su ciò che si sta facendo e maneggiare con giudizio l'elettrotensile. Non adoperare l'elettrotensile se si è stanchi o sotto l'effetto di stupefacenti, alcol o medicinali.** Un attimo di distrazione può causare gravi infortuni personali.
  - b. **Utilizzare un equipaggiamento di protezione personale. Indossare sempre occhiali di sicurezza.** Se si avrà cura d'indossare l'equipaggiamento protettivo necessario, ad esempio una maschera antipolvere, delle calzature antiscivolo, un casco o delle otoprotezioni, si ridurrà il rischio di infortuni.
  - c. **Impedire l'avviamento involontario. Accertarsi che l'interruttore di accensione sia regolato su spento prima di collegare l'elettrotensile all'alimentazione elettrica e/o al battery pack, di prenderlo in mano o di trasportarlo.** Per non esporsi al rischio di incidenti, non trasportare gli elettrotensili tenendo le dita sull'interruttore oppure, se sono collegati a un'alimentazione elettrica, con l'interruttore acceso.
  - d. **Prima di accendere un elettrotensile, togliere eventuali chiavi o attrezzi di regolazione.** Un utensile o una chiave lasciati in un componente mobile dell'elettrotensile potranno causare lesioni.
  - e. **Non piegarsi eccessivamente in avanti. Mantenere sempre un buon equilibrio evitando posizioni instabili.** In questo modo è possibile controllare meglio l'elettrotensile in situazioni inaspettate.
  - f. **Vestirsi adeguatamente. Evitare di indossare indumenti larghi o gioielli. Tenere capelli, capi di vestiario e guanti lontani da parti in movimento.** Capi di vestiario larghi, gioielli o capelli lunghi potrebbero impigliarsi nei componenti in movimento.
  - g. **Se gli elettrotensili sono provvisti di attacchi per il collegamento di dispositivi di aspirazione o di raccolta della polvere, assicurarsi che questi siano installati e utilizzati correttamente.** L'impiego di dispositivi di raccolta della polvere diminuisce i rischi relativi alle polveri.

#### 4. Uso e cura degli elettroutensili

- a. **Non sovraccaricare l'elettroutensile. Usare l'elettroutensile adatto al lavoro da eseguire.**  
Utilizzando l'elettroutensile adatto si potrà lavorare meglio e con maggiore sicurezza alla potenza nominale prevista.
- b. **Non utilizzare elettroutensili con interruttori difettosi.**  
Un elettroutensile che non può essere controllato mediante l'interruttore è pericoloso e deve essere riparato.
- c. **Scollegare la spina dalla presa di corrente e/o il battery pack dall'elettroutensile prima di regolarlo, di sostituire gli accessori o di riporlo.** Queste precauzioni di sicurezza riducono la possibilità che l'elettroutensile sia messo in funzione inavvertitamente.
- d. **Quando non sono usati, gli elettroutensili devono essere custoditi fuori della portata dei bambini. Non consentire l'uso dell'elettroutensile a persone inesperte o che non abbiano letto le presenti istruzioni.** Gli elettroutensili risultano pericolosi se usati da persone inesperte.
- e. **Sottoporre gli elettroutensili alle necessarie procedure di manutenzione. Verificare che le parti mobili siano bene allineate e non inceppate, che non vi siano componenti rotti e che non sussistano altre condizioni che possono compromettere il funzionamento dell'elettroutensile. In caso di danni, riparare l'elettroutensile prima dell'uso.** La scarsa manutenzione causa molti incidenti.
- f. **Mantenere affilati e puliti gli utensili da taglio.** Se sottoposti alla giusta manutenzione, gli strumenti da taglio con taglienti affilati s'inceppano meno frequentemente e sono più facili da manovrare.
- g. **Utilizzare l'elettroutensile, gli accessori e le punte in conformità delle presenti istruzioni, tenendo conto delle condizioni di lavoro e del lavoro da completare.** L'impiego dell'elettroutensile per usi diversi da quelli consentiti può dar luogo a situazioni pericolose.

#### 5. Riparazioni


- a. **Fare riparare l'elettroutensile solo ed esclusivamente da personale specializzato e solo impiegando pezzi di ricambio originali,** onde non alterarne la sicurezza.

#### Altri avvisi di sicurezza per gli elettroutensili



**Attenzione!** Istruzioni di sicurezza per tutte le seghe

#### Procedure di taglio

- a.  **Tenere le mani lontane dall'area di taglio e dalla lama. Tenere la seconda mano sull'impugnatura secondaria o sull'alloggiamento del motore.** Se entrambe le mani sono sulla sega, la lama non potrà tagliarle.
- b. **Non allungare mai le mani sotto al pezzo.** La protezione non può proteggere dalla lama sotto il pezzo.
- c. **Regolare la profondità di taglio in base allo spessore del pezzo.** Sotto il pezzo dovrebbe essere visibile meno di un dente completo della lama.
- d. **Non tenere mai il pezzo da tagliare in mano o appoggiato sulla coscia. Fissare il pezzo su di una piattaforma stabile.** È importante sorreggere correttamente il pezzo per limitare l'esposizione del corpo, l'inceppamento della lama o la perdita di controllo.
- e. **Tenere l'elettroutensile solo afferrando l'impugnatura isolata se vi è la possibilità che la sega possa venire a contatto di cavi nascosti o del proprio cavo.** Il contatto con un cavo "sotto tensione" mette "sotto tensione" anche le parti metalliche esposte dell'utensile e potrebbe esporre l'operatore a scosse elettriche.
- f. **Quando si sega secondo la fibra, usare una guida pezzo o una riga.** In questo modo si migliora la precisione del taglio e si riduce la possibilità di inceppamento della lama.
- g. **Usare sempre lame di misura e forma idonee ai fori per i mandrini portalama (a rombo o rotondi).** Le lame che non corrispondono all'utensileria di montaggio della lama, ruotano eccentricamente, causando la perdita di controllo.
- h. **Non usare un bullone o delle rondelle danneggiate o di tipo errato per fissare la lama.** Le rondelle e il bullone sono stati specificamente progettati per questa sega in modo da fornire delle prestazioni ottimali e un funzionamento sicuro.

#### Ulteriori istruzioni di sicurezza per tutte le seghe

##### Cause dei contraccolpi e avvisi in merito

- ◆ il contraccolpo è una reazione improvvisa che si verifica quando la lama della sega si incastra, si inceppa oppure perde l'allineamento, e causa il sollevamento e l'uscita della sega dal pezzo, verso l'operatore;
- ◆ la lama si blocca se si incastra o si inceppa a causa della chiusura del taglio e la conseguente reazione del motore fa spostare rapidamente all'indietro la sega verso l'operatore;

- ◆ se la lama si deforma o perde l'allineamento nel taglio, i denti sul bordo posteriore della lama possono scavare la superficie del legno causando l'uscita della lama dal taglio con uno scatto all'indietro, verso l'operatore.

Un contraccolpo è la conseguenza di un utilizzo non appropriato oppure non corretto della sega e può essere evitato soltanto adottando le misure di sicurezza idonee come descritto di seguito.

- a. **Afferrare saldamente la sega con entrambe le mani e posizionare le braccia in modo da poter far fronte ai contraccolpi. Posizionare il corpo da un lato o dall'altro della sega, ma non direttamente davanti alla lama.** Il contraccolpo potrebbe far scattare all'indietro la lama, ma tale spinta può essere controllata dall'operatore, adottando le dovute precauzioni.
- b. **Quando la lama si inceppa, oppure quando per una qualsiasi ragione si interrompe l'operazione di taglio, rilasciare la levetta e tenere la sega immobile nel pezzo fino a quando la lama di arresta del tutto. Non tentare mai di estrarre la sega dal pezzo oppure di tirarla indietro quando la lama sta ancora ruotando, dato che facendolo si può causare un contraccolpo.** Indagare la causa dell'inceppamento e adottare i necessari interventi correttivi per eliminarla.
- c. **Quando si riavvia una sega nel pezzo, centrare la lama nel taglio e controllare che i denti della sega non facciano presa nel materiale.** Se la lama della sega si inceppa, potrebbe fuoriuscire dal pezzo o causare un contraccolpo quando la sega viene riavviata.
- d. **Sorreggere i pannelli più grandi per limitare il rischio che la lama si incasti o causi dei contraccolpi.** I pannelli più grandi tendono a incurvarsi sotto il loro peso. Infilare dei supporti sotto entrambi i lati del pannello, vicino alla linea di taglio o al bordo del pannello.
- e. **Non usare lame spuntate o danneggiate.** Delle lame spuntate o regolate male, producono un taglio stretto causando un attrito eccessivo, l'inceppamento della lama e dei contraccolpi.
- f. **Le leve di regolazione della profondità e dello smusso, devono essere salde e serrate prima di praticare il taglio.** Se la regolazione della lama cambia durante il taglio, si possono causare inceppamenti e contraccolpi.
- a. **Prestare una maggiore attenzione quando si praticano dei tagli con la sega in pareti esistenti o in altre zone con scarsa visibilità.** La lama sporgente potrebbe tagliare oggetti che possono causare contraccolpi.

## Funzione della protezione inferiore

- a. **Controllare che la protezione inferiore si chiuda correttamente prima di ciascun impiego. Non far funzionare la sega se la protezione inferiore non si muove liberamente e non si chiude istantaneamente. Non serrare né legare mai la protezione inferiore in posizione aperta.** Se si fa cadere accidentalmente la sega, la protezione inferiore potrebbe deformarsi. Sollevare la protezione inferiore per mezzo dell'impugnatura retrattile e accertarsi che si muova liberamente e non tocchi né la lama né altre parti, indipendentemente dall'angolo e dalla profondità di taglio.
- b. **Controllare il funzionamento della molla della protezione inferiore. Se la protezione e la molla non funzionano correttamente, eseguirne la manutenzione prima dell'impiego.** La protezione inferiore potrebbe funzionare lentamente a causa di parti danneggiate, depositi gommosi o di un accumulo di impurità.
- c. **La protezione inferiore può essere ritratta manualmente solo per tagli speciali come quelli "a tuffo" e quelli "compositi".** Sollevare la protezione inferiore tirando indietro l'impugnatura e non appena la lama penetra nel materiale, rilasciare la protezione inferiore. Per tutte le altre operazioni di segatura, la protezione inferiore deve funzionare automaticamente.
- d. **Verificare sempre che la protezione inferiore copra la lama prima di appoggiare la sega su un banco o a terra.** Una lama non protetta o che gira a vuoto, fa spostare all'indietro la sega, tagliando tutto ciò che trova lungo il percorso. Tenere presente quanto tempo impiega la lama ad arrestarsi dopo aver rilasciato l'interruttore.

## Funzione del cuneo

- a. **Usare la lama da sega idonea al cuneo.** Affinché il cuneo possa funzionare, lo spessore della lama deve essere inferiore a quello del cuneo e la larghezza di taglio della lama deve essere superiore allo spessore del cuneo.
- b. **Regolare il cuneo come descritto nel presente manuale d'uso.** L'errata spaziatura, posizionamento e allineamento del cuneo possono comprometterne la capacità di prevenzione dei contraccolpi.
- c. **Usare sempre il cuneo ad eccezione di quando si eseguono tagli a tuffo.** Il cuneo deve essere ritratto durante il taglio a tuffo. Il cuneo intralcia infatti il taglio a tuffo e può creare dei contraccolpi.
- d. **Per poter avere l'effetto desiderato, il cuneo deve inserirsi nel pezzo.** Il cuneo non è in grado di prevenire i contraccolpi nei tagli corti.
- e. **Non usare la sega se il cuneo è piegato.** Anche una leggera interferenza può rallentare la velocità di chiusura di una protezione.

## Rischi residui.

Quando si usa l'elettrotensile, possono esservi altri rischi residui che possono non essere stati contemplati negli avvisi di sicurezza allegati. Tali rischi possono sorgere a seguito di un uso prolungato o improprio, ecc.

Perfino adottando gli appositi regolamenti di sicurezza e utilizzando i dispositivi di sicurezza, certi rischi residui non possono essere evitati. Essi comprendono:

- ◆ Lesioni causate o subite a seguito del contatto con parti rotanti/in movimento.
- ◆ Lesioni causate o subite durante la sostituzione di parti, lame o accessori.
- ◆ Lesioni causate dall'impiego prolungato di un elettrotensile. Quando si usa qualsiasi elettrotensile per lunghi periodi, accertarsi di fare regolarmente delle pause.
- ◆ Problemi di udito.
- ◆ Rischi per la salute causati dall'aspirazione di polvere generata dall'utilizzo dell'elettrotensile (ad esempio quando si lavora con il legno, in modo particolare quello di quercia, faggio o l'MDF.)

## Lame

- ◆ Non usare lame di diametro superiore o inferiore a quello consigliato. Consultare i dati tecnici per le corrette dimensioni della lama. Usare solo le lame indicate in questo manuale, conformi alla normativa EN 847-1.
- ◆ **Attenzione!** Non usare mai dischi abrasivi.

## Sicurezza altrui

- ◆ Questo elettrotensile non è stato progettato per impiego da parte di persone (o bambini) portatrici di handicap fisici, psichici o sensoriali o che non abbiano la dovuta esperienza o conoscenza, a meno che non siano seguite o opportunamente istruite sul suo impiego da parte di una persona responsabile della loro sicurezza.
- ◆ Controllare che i bambini non giochino con l'elettrotensile.

## Vibrazioni

I valori dichiarati delle emissioni di vibrazioni al paragrafo Dati tecnici e nella Dichiarazione di conformità del presente manuale sono stati misurati in base al metodo di test standard previsto dalla normativa EN 60745 e possono essere usati come parametri di confronto tra due utensili. Il valore delle emissioni di vibrazioni dichiarato può anche essere usato come valutazione preliminare dell'esposizione.

**Attenzione!** Il valore delle emissioni di vibrazioni durante l'impiego effettivo dell'elettrotensile può variare da quello dichiarato a seconda delle modalità d'uso. Il livello delle vibrazioni può aumentare oltre quello dichiarato.

Quando si valuta l'esposizione alle vibrazioni per determinare le misure di sicurezza richieste, in conformità alla normativa 2002/44/CE e destinata alla protezione delle persone che usano regolarmente gli elettrotensili nello svolgimento delle proprie mansioni, è necessario prendere in considerazione le condizioni effettive di utilizzo e il modo in cui l'utensile è usato, oltre a tenere in conto tutte le componenti del ciclo operativo, vale a dire i periodi in cui l'elettrotensile è spento, quelli in cui è acceso, ma a riposo e quelli in cui è effettivamente utilizzato.

## Etichette sull'elettrotensile

Sull'elettrotensile appaiono i seguenti simboli:



**Avvertenza!** Per ridurre il rischio di infortuni, l'utente deve leggere il manuale d'uso.

## Sicurezza elettrica



Il doppio isolamento di cui è provvisto l'elettrotensile rende superfluo il filo di terra. Controllare sempre che l'alimentazione corrisponda alla tensione indicata sulla targhetta dei dati tecnici.

- ◆ In caso di danneggiamento del filo di alimentazione, è necessario farlo riparare dal fabbricante o presso un centro assistenza Stanley Fat Max autorizzato in modo da evitare eventuali pericoli.

## Caratteristiche

Questo elettrotensile presenta alcune o tutte le seguenti caratteristiche.

1. Interruttore di accensione
2. Pulsante di sicurezza
3. Impugnatura principale
4. Impugnatura secondaria
5. Pulsante di blocco mandrino
6. Piedino scorrimento lama
7. Lama
8. Protezione lama sega
9. Cuneo
10. Apertura uscita polvere di segatura

## Montaggio

**Attenzione!** Prima di tentare una delle seguenti operazioni, verificare che l'elettrotensile sia spento e scollegato dalla presa elettrica e che la lama del seghetto si sia fermata.

## Montaggio e smontaggio di una lama della sega (fig. A)

### Distacco

- ◆ Mantenere premuto il pulsante di blocco del mandrino (5) e ruotare la lama a quando il blocco del mandrino si innesta.
- ◆ Allentare e sfilare la vite di ritenuta della lama (11) ruotandola in senso antiorario per mezzo della chiave (12) fornita.
- ◆ Sfilare la rondella esterna (13).
- ◆ Togliere la lama della sega (7).

### Montaggio

- ◆ Posizionare la lama della sega sulla flangia interna (14), accertandosi che la freccia sulla lama sia rivolta nella medesima direzione di quella sull'elettrotensile.
- ◆ Infilare la rondella esterna sul mandrino (13), con la parte rialzata rivolta dalla parte opposta a quella della lama della sega.
- ◆ Inserire la vite di ritenuta della lama (11) nel foro.
- ◆ Tenere premuto il pulsante di blocco del mandrino (5).
- ◆ Serrare saldamente la vite di ritenuta della lama ruotandola in senso orario con la chiave (12) fornita.
- ◆ Regolare il cuneo come descritto di seguito.

## Regolazione del cuneo (fig. B)

Il cuneo impedisce alla lama della sega di incepparsi durante la segatura lungo la fibra. Il cuneo deve essere regolato dopo aver sostituito la lama della sega.

- ◆ Allentare le viti (15) con la chiave (12), tenendo al tempo stesso in posizione il cuneo.
- ◆ Posizionare il cuneo (9) come illustrato.
- ◆ La distanza tra la dentatura e il cuneo (9) deve essere di 2 - 3 mm.
- ◆ La differenza in altezza tra la dentatura e la parte inferiore del cuneo deve essere di 2 - 3 mm.
- ◆ Serrare le viti.

## Montaggio e smontaggio della guida pezzo parallela (fig. C)

- ◆ La guida pezzo parallela viene usata per segare in linea retta parallelamente al bordo del pezzo.

### Montaggio

- ◆ Allentare il pomello di bloccaggio (16).
- ◆ Inserire la guida pezzo parallela (17) dalle aperture (18).
- ◆ Far scorrere la guida pezzo parallela nella posizione richiesta.
- ◆ Serrare il pomello di bloccaggio.

### Distacco

- ◆ Allentare il pomello di bloccaggio.
- ◆ Estrarre la guida pezzo parallela dall'elettrotensile.

### Utilizzo

**Attenzione!** Lasciare che l'elettrotensile funzioni al suo ritmo. Non sovraccaricarlo.

Questo elettrotensile può essere usato con la mano destra o con quella sinistra.

## Regolazione dell'angolo di segatura (fig. D)

- ◆ Usare una squadra per controllare che l'angolo tra la lama della sega e il piedino di scorrimento lama sia di 90°. Se l'angolo non misura 90° regolarlo nel modo seguente:
  - ◆ Allentare il pomello di bloccaggio (19) per sbloccare il piedino scorrimento lama.
  - ◆ Allentare il controdado (20) sulla vite di regolazione (21).
  - ◆ Avvitare o svitare la vite di regolazione per ottenere l'angolo di 90°.
  - ◆ Riserare il controdado.
  - ◆ Serrare il pomello di bloccaggio per bloccare in sede il piedino scorrimento lama.

## Regolazione della profondità del taglio (fig. E)

La profondità del taglio deve essere tarata in base allo spessore del pezzo, e dovrebbe superare tale spessore di 2 mm circa.

- ◆ Allentare il pomello di bloccaggio (22) per sbloccare il piedino scorrimento lama.
- ◆ Spostare il piedino scorrimento lama (6) nella posizione desiderata. La corrispondente profondità di taglio può essere letta sulla scala (23).
- ◆ Serrare il pomello per bloccare in sede il piedino scorrimento lama.

## Regolazione dell'angolo di smusso (fig. F)

Su questo elettrotensile è possibile regolare gli angoli di smusso tra 0° e 45°.

- ◆ Allentare il pomello di bloccaggio (19) per sbloccare il piedino scorrimento lama.
- ◆ Spostare il piedino scorrimento lama (8) nella posizione desiderata. Il corrispondente angolo di smusso può essere letto sulla scala (24).
- ◆ Serrare il pomello di bloccaggio per bloccare in sede il piedino scorrimento lama.

## Accensione e spegnimento

- ◆ Per accendere l'elettrotensile, spostare il pulsante di sicurezza (2) sulla posizione di sbloccaggio e premere il pulsante di accensione (1).
- ◆ Per spegnere l'elettrotensile, rilasciare l'interruttore di accensione.

## Segatura

Tenere sempre l'elettrotensile con entrambe le mani.

- ◆ Prima di iniziare a tagliare, lasciare che la lama ruoti liberamente per alcuni secondi.
- ◆ Esercitare solo una leggera pressione sull'elettrotensile mentre si esegue il taglio.
- ◆ Lavorare con il piedino scorrimento lama premuto contro il pezzo.

**Nota:** prestare attenzione a non lasciare che le punte della lama si surriscaldino.

## Utilizzo della guida a vista (fig. G)

L'elettrotensile è dotato di guida a vista per il taglio diritto (25) e per il taglio a unghia di 45° (26).

- ◆ Regolare la guida a vista come descritto di seguito.
- ◆ Allineare il bordo sinistro delle guide (25) o (26) rispetto alla linea di taglio (27).
- ◆ Mantenere la guida a vista allineata alla linea di taglio durante la segatura.
- ◆ Lavorare con il piedino scorrimento lama premuto contro il pezzo.

## Regolazione della guida a vista

- ◆ Praticare un taglio di prova fino a metà di un pezzo di legno di scarto.
- ◆ Estrarre la sega in modo che la linea di taglio (27) diventi visibile.
- ◆ Tenendo la sega in questa posizione, allentare la guida a vista sul piedino scorrimento lama come illustrato.
- ◆ Allineare l'indice di 0° (25) sulla guida a vista rispetto alla linea di taglio (27). Quando si eseguono le regolazioni per i tagli a unghia di 45°, allineare l'indice di 45° (26) sulla guida a vista alla linea di taglio.
- ◆ Fissare la guida a vista con la vite (28).

## Estrazione della polvere

Per collegare un aspirapolvere di qualsiasi tipo all'elettrotensile, è necessario usare un adattatore di estrazione della polvere.

- ◆ Inserire l'adattatore di aspirazione della polvere nell'apertura di uscita della polvere (10).
- ◆ Collegare il tubo dell'aspirapolvere all'adattatore.

## Consigli per un utilizzo ottimale

- ◆ Usare sempre il corretto tipo di lama per il materiale da tagliare.
- ◆ Tenere sempre l'elettrotensile con entrambe le mani.
- ◆ Prima di iniziare a tagliare, lasciare che la lama ruoti liberamente per alcuni secondi.
- ◆ Esercitare solo una leggera pressione sull'elettrotensile mentre si esegue il taglio.

- ◆ Lavorare con il piedino scorrimento lama premuto contro il pezzo.
- ◆ Dato che non è possibile evitare un certo grado di scheggiatura lungo la linea di taglio sul lato superiore del pezzo, tagliare dal lato dove tale scheggiatura è accettabile.
- ◆ Se è necessario limitare tale scheggiatura, ad esempio quando si tagliano dei laminati, attaccare con dei morsetti una striscia di compensato sulla parte superiore del pezzo.
- ◆ Sorreggere i pannelli più grandi per limitare il rischio che la lama si incastri o causi dei contraccolpi. I pannelli più grandi tendono a incurvarsi sotto il loro peso.
- ◆ Infilare dei supporti sotto entrambi i lati del pannello, vicino alla linea di taglio o al bordo del pannello che si sta tagliando.
- ◆ Non tenere mai il pezzo da tagliare in mano o appoggiato sulla coscia.
- ◆ Fissare il pezzo su di una piattaforma stabile usando dei morsetti. È importante sorreggere correttamente il pezzo per limitare l'esposizione del corpo, l'inzeppamento della lama o la perdita di controllo.

## Accessori

Le prestazioni dell'elettrotensile dipendono dall'accessorio usato. Gli accessori Stanley Fat Max sono stati fabbricati in base a standard qualitativi elevati e sono stati progettati per ottenere le migliori prestazioni dall'elettrotensile. Usando questi accessori si otterrà il meglio dall'elettrotensile.

## Manutenzione

Questo elettrotensile è stato progettato per funzionare a lungo con una manutenzione minima. Per ottenere prestazioni sempre soddisfacenti occorre avere cura dell'elettrotensile e sottoporlo a pulizia periodica.

**Avvertenza!** Prima di eseguire operazioni di manutenzione, spegnere l'elettrotensile ed estrarre la spina dalla presa di corrente.

- ◆ Pulire regolarmente le prese di ventilazione dell'elettrotensile e dell'alimentatore con un pennello o con un panno morbido e asciutto.
- ◆ Il vano del motore deve essere pulito regolarmente con un panno umido. Non usare materiali abrasivi o detergenti a base di solventi.

## Sostituzione della spina (solo Regno Unito e Irlanda)

Se è necessario montare una nuova spina:

- ◆ smaltire in tutta sicurezza quella vecchia.
- ◆ Collegare il filo marrone al morsetto sotto tensione della nuova spina.
- ◆ Collegare il filo blu al morsetto neutro.



**Attenzione!** Non effettuare nessun collegamento sul morsetto di terra. Seguire le istruzioni fornite con le spine di buona qualità. Fusibile consigliato: 13 A.

## Protezione dell'ambiente



Raccolta differenziata. Questo prodotto non deve essere smaltito con i normali rifiuti domestici.

Nel caso in cui l'elettrotensile Stanley Fat Max debba essere sostituito o non sia più necessario, non smaltirlo con i normali rifiuti domestici. Metterlo da parte per la raccolta differenziata.



La raccolta differenziata dei prodotti e degli imballaggi utilizzati consente il riciclaggio dei materiali e il loro continuo utilizzo.

Il riutilizzo dei materiali riciclati favorisce la protezione dell'ambiente prevenendo l'inquinamento e riduce il fabbisogno di materie prime.

Seguire la regolamentazione locale per la raccolta differenziata dei prodotti elettrici che può prevedere punti di raccolta o la consegna dell'elettrotensile al rivenditore presso il quale viene acquistato un nuovo prodotto.

Stanley Europe offre ai propri clienti la possibilità di riciclare i prodotti Stanley Fat Max che hanno esaurito la loro vita di servizio. Per usufruire di tale servizio, è sufficiente restituire il prodotto a qualsiasi tecnico autorizzato, incaricato della raccolta per conto dell'azienda.

Per individuare il tecnico autorizzato più vicino, rivolgersi alla sede Stanley Europe locale, presso il recapito indicato nel presente manuale. Altrimenti, un elenco completo di tutti i tecnici autorizzati Stanley Europe e i dettagli completi sui contatti e i servizi post-vendita sono disponibili su Internet all'indirizzo: [www.2helpU.com](http://www.2helpU.com)

## Dati tecnici

FME300 (Tipo 1)	
Tensione in ingresso	$V_{ac}$ 230
Potenza assorbita	W 1,600
Regime a vuoto	$min^{-1}$ 5,000
Profondità max. del taglio	mm 65
Profondità massima del taglio con un angolo di smusso di 45°	mm 50
Diametro lama	mm 190
Foro lama	mm 16
Larghezza dente lama	mm 2.3
Peso	kg 5.4

$L_{BA}$  (pressione sonora) 94 dB(A), incertezza (K) 3 dB(A)

$L_{WA}$  (pressione acustica) 105 dB(A), incertezza (K) 3 dB(A)

Valori totali vibrazioni (somma vettoriale triassiale) in base a EN 60745:

Taglio del legno ( $a_{h,W}$ ) 4.8  $m/s^2$ , incertezza (K) 1.5  $m/s^2$

## Dichiarazione di conformità CE

DIRETTIVA SUI MACCHINARI



FME300

Stanley Europe dichiara che questi prodotti descritti al paragrafo "Dati tecnici" sono conformi a:

2006/42/CE, EN 60745-1, EN 60745-2-5

Questi prodotti sono conformi alla Direttiva 2004/108/CE e 2011/65/UE. Per ulteriori informazioni contattare Stanley Europe al seguente indirizzo oppure consultare l'ultima di copertina del manuale.

Il sottoscritto è responsabile della redazione di questo documento tecnico e rilascia questa dichiarazione per conto di

Stanley Europe.

Kevin Hewitt  
Vice-President Global Engineering  
Stanley Europe, Egide Walschaertsstraat 14-18,  
2800 Mechelen, Belgio  
07/10/2013

## Garanzia

Certa della qualità dei suoi prodotti, Stanley Europe offre una garanzia eccezionale agli utenti professionali di questo prodotto. Il presente certificato di garanzia è complementare ai diritti contrattuali come utente privato non professionale e non li pregiudica in alcun modo. La garanzia è valida entro il territorio degli Stati membri dell'Unione Europea e dell'EFTA (European Free Trade Area).

### GARANZIA TOTALE DI UN ANNO

Se un prodotto Stanley Fat Max risulta difettoso per qualità del materiale, della costruzione o per mancata conformità entro 12 mesi dalla data di acquisto, Stanley Europe garantisce, a sua discrezione, la sostituzione gratuita di tutte le parti difettose oppure la sostituzione gratuita del prodotto sempre che:

- ◆ il prodotto non sia stato usato in modo improprio ma in conformità al manuale d'uso;
- ◆ il prodotto sia stato usato in modo ragionevole;
- ◆ il prodotto non sia stato sottoposto a riparazioni da parte di persone non autorizzate;
- ◆ venga fornita la prova comprovante l'acquisto;
- ◆ il prodotto Stanley Fat Max venga reso completo con tutti i componenti originali

Se si desidera sporgere reclamo, rivolgersi al rivenditore di zona oppure controllare l'indirizzo del tecnico Stanley autorizzato più vicino nel catalogo Stanley Fat Max o contattare la sede Stanley Fat Max presso il recapito indicato nel presente manuale. Un elenco completo di tutti i tecnici autorizzati Stanley Fat Max e i dettagli completi sui servizi post-vendita sono disponibili su Internet all'indirizzo: [www.stanley.eu/3](http://www.stanley.eu/3)

## Beoogd gebruik

Uw Stanley Fat Max-zaag is ontworpen voor het zagen van hout en houtproducten. Dit gereedschap is bedoeld voor professionele en private, niet-professionele gebruikers.

## Veiligheidsinstructies

### Algemene veiligheidswaarschuwingen voor elektrisch gereedschap



**Waarschuwing!** Lees alle veiligheidswaarschuwingen en alle instructies. Wanneer de volgende waarschuwingen en voorschriften niet in acht worden genomen, kan dit een elektrische schok, brand of ernstig letsel tot gevolg hebben.

**Bewaar alle waarschuwingen en instructies als referentiemateriaal.** Het hierna gebruikte begrip 'elektrisch gereedschap' heeft betrekking op elektrische gereedschappen voor gebruik op de netspanning (met netsnoer) of op een accu (snoerloos).

1. **Veilige werkomgeving**
  - a. **Houd uw werkomgeving schoon en goed verlicht.** Een rommelige of onverlichte werkruimte kan tot ongevallen leiden.
  - b. **Gebruik elektrisch gereedschap niet in een omgeving met explosiegevaar, zoals in de nabijheid van brandbare vloeistoffen, gasen of stof.** Elektrisch gereedschap veroorzaakt vonken die het stof of de dampen tot ontsteking kunnen brengen.
  - c. **Houd kinderen en andere personen tijdens het gebruik van elektrisch gereedschap uit de buurt.** Wanneer u wordt afgeleid, kunt u de controle over het apparaat verliezen.
2. **Elektrische veiligheid**
  - a. **De netstekker van het gereedschap moet in het stopcontact passen. De stekker mag in geen geval worden omgebouwd. Gebruik geen adapterstekkers in combinatie met geaarde gereedschappen.** Niet-omgebouwde stekkers en passende stopcontacten beperken het risico van een elektrische schok.
  - b. **Vermijd aanraking van het lichaam met geaarde oppervlakken, bijvoorbeeld buizen, verwarmingen, fornuizen en koelkasten.** Er bestaat een verhoogd risico op een elektrische schok wanneer uw lichaam geaard is.
  - c. **Houd het gereedschap uit de buurt van regen en vocht.** Het binnendringen van water in het elektrische gereedschap vergroot het risico van een elektrische schok.
  - d. **Gebruik het snoer niet voor een verkeerd doel. Gebruik het snoer niet om het gereedschap te dragen of op te hangen of om de stekker uit het stopcontact te trekken. Houd het snoer uit de buurt van hitte, olie, scherpe randen of bewegende delen.** Beschadigde of in de war geraakte snoeren vergroten het risico van een elektrische schok.
  - e. **Wanneer u buitenshuis met elektrisch gereedschap werkt, dient u alleen verlengsnoeren te gebruiken die zijn goedgekeurd voor gebruik buitenshuis.** Het gebruik van een verlengsnoer dat geschikt is voor gebruik buitenshuis, beperkt het risico van een elektrische schok.
  - f. **Als u een elektrisch gereedschap moet gebruiken in een vochtige locatie, moet u een reststroomschakelaar (RCD) gebruiken.** Met een aardlekschakelaar wordt het risico van een elektrische schok verkleind.
3. **Veiligheid van personen**
  - a. **Wees alert, let goed op wat u doet en ga met verstand te werk bij het gebruik van elektrische gereedschappen. Gebruik elektrisch gereedschap niet wanneer u moe bent of onder invloed van drugs, alcohol of medicijnen.** Een moment van onoplettendheid bij het gebruik van het gereedschap kan leiden tot ernstige verwondingen.
  - b. **Draag een persoonlijke beschermende uitrusting. Draag altijd een veiligheidsbril.** Het dragen van een persoonlijke beschermende uitrusting zoals een stofmasker, slipvaste werkschoenen, een veiligheidshelm of gehoorbescherming, afhankelijk van de aard en het gebruik van het elektrische gereedschap, vermindert het risico van verwondingen.
  - c. **Voorkom per ongeluk inschakelen. Controleer of de schakelaar in de uit-stand staat voordat u het gereedschap aansluit op het stopcontact en/of de accu en voordat u het gereedschap optilt of gaat dragen.** Wanneer u bij het dragen van het gereedschap uw vinger op de schakelaar houdt of wanneer u het gereedschap per ongeluk inschakelt, kan dat leiden tot ongevallen.
  - d. **Verwijder instelgereedschappen of schroefsleutels voordat u het gereedschap inschakelt.** Een instelgereedschap of sleutel in een draaiend deel van het gereedschap kan leiden tot verwondingen.
  - e. **Reik niet te ver. Zorg er altijd voor dat u stevig staat en in evenwicht blijft.** Daardoor kunt u het gereedschap beter onder controle houden in onverwachte situaties.
  - f. **Draag geschikte kleding. Draag geen loshangende kleding of sieraden. Houd haren, kleding en handschoenen uit de buurt van bewegende delen.** Loshangende kleding, sieraden en lange haren kunnen door bewegende delen worden meegenomen.

- g. **Wanneer stofafzuigings- of stofopvangvoorzieningen kunnen worden gemonteerd, dient u zich ervan te verzekeren dat deze zijn aangesloten en juist worden gebruikt.** Het gebruik van stofopvangvoorzieningen beperkt het gevaar door stof.

- 4. **Gebruik en onderhoud van elektrisch gereedschap**
  - a. **Overbelast het gereedschap niet. Gebruik voor uw toepassing het daarvoor bestemde elektrische gereedschap.** Met het geschikte elektrische gereedschap werkt u beter en veiliger binnen het aangegeven capaciteitsbereik.

- b. **Gebruik geen elektrisch gereedschap waarvan de schakelaar defect is.** Elektrisch gereedschap dat niet meer kan worden in- of uitgeschakeld, is gevaarlijk en moet worden gerepareerd.

- c. **Trek de stekker uit het stopcontact en/of verwijder de accu uit het elektrisch gereedschap voordat u het gereedschap instelt, toebehoren wisselt of het gereedschap opbergt.** Met deze voorzorgsmaatregel voorkomt u onbedoeld starten van het gereedschap.

- d. **Bewaar niet-gebruikte elektrische gereedschappen buiten bereik van kinderen. Laat het gereedschap niet gebruiken door personen die er niet vertrouwd mee zijn en deze aanwijzingen niet hebben gelezen.** Elektrische gereedschappen zijn gevaarlijk wanneer deze worden gebruikt door onervaren personen.

- e. **Verzorg het gereedschap zorgvuldig. Controleer of bewegende delen van het gereedschap correct functioneren en niet klemmen, en of er onderdelen zodanig zijn gebroken of beschadigd dat de werking van het gereedschap nadelig wordt beïnvloed. Laat beschadigde delen repareren voordat u het gereedschap gebruikt.** Veel ongevallen worden veroorzaakt door slecht onderhouden elektrisch gereedschap.

- f. **Houd snijdende inzetgereedschappen scherp en schoon.** Zorgvuldig onderhouden snijdende inzetgereedschappen met scherpe snijkanten klemmen minder snel vast en zijn gemakkelijker te geleiden.

- g. **Gebruik elektrische gereedschappen, toebehoren, inzetgereedschappen en dergelijke volgens deze aanwijzingen. Let daarbij op de arbeidsomstandigheden en de uit te voeren werkzaamheden.** Het gebruik van elektrische gereedschappen voor andere dan de bedoelde toepassingen kan leiden tot gevaarlijke situaties.

#### 5. Service

- a. **Laat het gereedschap alleen repareren door gekwalificeerd en vakkundig personeel en alleen met originele vervangingsonderdelen.** Daarmee wordt de veiligheid van het gereedschap gewaarborgd.

## Aanvullende veiligheidswaarschuwingen voor elektrisch gereedschap



**Waarschuwing!** Veiligheidsinstructies voor alle zagen

### Zaagprocedures



- a. **Blijf met uw handen uit de buurt van het zaaggebied en het zaagblad. Houd uw andere hand op de hulphandgreep of motorbehuizing.** Als de zaag met beide handen wordt vastgehouden, kunnen de handen niet door het zaagblad worden geraakt.
- b. **Reik niet onder het werkstuk.** Onder het werkstuk kan de kap u niet beschermen tegen het zaagblad.
- c. **Pas de zaagdiepte aan de dikte van het werkstuk aan.** Minder dan een volledige tand van de bladtanden dient zichtbaar te zijn onder het werkstuk.
- d. **Houd nooit het stuk dat u wilt snijden in uw handen of over uw benen. Zet het werkstuk vast op een stabiel platform.** Het is belangrijk dat het werkstuk goed wordt ondersteund, zodat het risico van aanraking, het vastzitten van het zaagblad of verlies van controle wordt geminimaliseerd.
- e. **Houd het gereedschap alleen vast bij de geïsoleerde greepoppervlakken als u een handeling uitvoert waarbij het zagende inzetgereedschap met onzichtbare draden of met het eigen snoer in aanraking kan komen.** Als een onder spanning staand snoer wordt geraakt, komen ook onbedekte metalen onderdelen van het gereedschap onder spanning, en kunt u een elektrische schok krijgen.
- f. **Wanneer u gaat schulpen, moet u altijd een langsgelider of een richtliniaal gebruiken.** Hiermee wordt de precisie van het snijden verbeterd en is er minder kans dat het zaagblad vast komt te zitten.
- g. **Gebruik altijd zaagbladen met het juiste formaat en de juiste vorm (ruitvormig versus rond) van hoofdasgaten.** Zaagbladen die niet op de bevestigingsmaterialen van de zaag passen, bewegen excentrisch, waardoor u de controle over het gereedschap kunt verliezen.
- h. **Gebruik nooit beschadigde of onjuiste borgschijfjes of moeren voor het blad.** De borgschijfjes of moeren voor het zaagblad zijn speciaal ontworpen voor deze zaag, voor optimale prestaties en veiligheid tijdens het gebruik.

## Aanvullende veiligheidsinstructies voor alle zagen

### Oorzaken van terugslag en gerelateerde waarschuwingen

- ◆ terugslag is een plotselinge reactie op een vastgeklemd, vastgelopen of onjuist uitgelijnd zaagblad, waardoor een zaag die niet onder controle is, uit het werkstuk wordt getild en zich naar de gebruiker verplaatst;
- ◆ wanneer het zaagblad vast komt te zitten doordat de zaagsnede zich sluit, blijft het zaagblad steken en door de reactie van de motor wordt de machine met grote snelheid terug naar de gebruiker verplaatst;
- ◆ als het zaagblad in de snede gedraaid of foutief uitgelijnd raakt, kunnen de tanden op de achterste rand van het zaagblad zich in de bovenkant van het hout invreten, waardoor het zaagblad uit de zaagsnede kan klimmen en terug kan springen naar de gebruiker.

Terugslag is het gevolg van het verkeerde gebruik of onjuiste gebruiksomstandigheden van de zaag. Met de juiste voorzorgsmaatregelen (zoals hieronder beschreven) kan terugslag worden voorkomen.

- a. **Blijf de zaag stevig met beide handen vasthouden en plaats uw armen zodanig dat u een eventuele terugslag kunt tegenhouden. Plaats uw lichaam naar een van de kanten van het zaagblad, maar niet op één lijn met het zaagblad.** Door een terugslag kan de zaag naar achteren springen, maar met de juiste voorzorgsmaatregelen kunt u de terugslagkracht onder controle houden.
- b. **Wanneer het blad vast komt te zitten, of wanneer u het zagen om welke reden dan ook wilt onderbreken, laat u de schakelaar los en houdt u de zaag zonder beweging in het materiaal totdat het blad tot volledige stilstand is gekomen. Probeer nooit om de zaag uit het werkstuk te verwijderen of de zaag naar achteren te trekken terwijl het zaagblad nog beweegt, omdat anders een terugslag kan optreden.** Als het zaagblad vast komt te zitten, controleert u de oorzaak hiervan en lost u het probleem op.
- c. **Wanneer u met de zaag opnieuw aan een werkstuk begint, plaatst u het zaagblad in het midden van de zaagsnede en controleert u of de zaagtanden niet vastzitten in het materiaal.** Als het zaagblad vast komt te zitten, kan dit naar boven lopen op of een terugslag geven vanaf het werkstuk wanneer de zaag opnieuw wordt gestart.
- d. **Ondersteun grote panelen om het risico op vastlopen of terugslaan te minimaliseren.** Grote panelen zakken vaak in onder hun eigen gewicht. Er moeten steunen aan beide kanten onder het paneel worden geplaatst: naast de snijlijn en naast de rand van het paneel.

- e. **Gebruik geen botte of beschadigde bladen.** Bij niet geslepen of onjuist geplaatste zaagbladen krijgt u een nauwe zaagsnede. Hierdoor ontstaat te veel wrijving, komt het zaagblad vast te zitten en krijgt u te maken met terugslag.
- f. **Zorg ervoor dat de vergrendelingshendels voor de diepte en voor de zaaghoek van het blad goed zijn vastgeklemd voordat u gaat zagen.** Als het zaagblad tijdens het zagen verschuift, kan het vast komen te zitten en krijgt u te maken met terugslag.
- a. **Wees extra voorzichtig wanneer u in bestaande muren of andere 'blinde' gebieden wilt zagen.** Het zaagblad kan in aanraking komen met objecten die een terugslag veroorzaken.

### Onderste beschermfunctie

- a. **Controleer altijd of de onderste beschermkap is gesloten voordat u de zaag gebruikt. Gebruik de zaag nooit als de onderste beschermkap klemt of vastzit en niet direct kan worden gesloten. Zet de onderste kap nooit vast in de open stand.** Als de zaag per ongeluk valt, kan de onderste beschermkap worden gebogen. Til de onderste kap omhoog aan de handgreep en controleer of de kap bij alle zaaghoeken en zaagdiepten vrij kan bewegen en niet in aanraking komt met het zaagblad of ander onderdeel.
- b. **Controleer het veermechanisme voor de onderste beschermkap. Als de kap of de veer niet juist werken, moeten ze worden gerepareerd voordat u de zaag gebruikt.** De onderste kap kan traag functioneren als gevolg van beschadigde onderdelen, kleverige afzettingen of te veel pulp.
- c. **U mag de onderste beschermkap alleen handmatig omhooghouden bij speciale bewerkingen, zoals dieptesneden en combinatiesneden.** Til de onderste beschermkap omhoog aan de hendel en laat de kap voorzichtig los zodra het zaagblad contact maakt met het materiaal dat u wilt zagen. Bij alle andere zaagbewerkingen moet de onderste beschermkap automatisch worden bediend.
- d. **Voordat u de zaag neerzet op de werkbank of de vloer, moet u altijd controleren of het zaagblad voldoende wordt afgeschermd door de onderste kap.** Als het zaagblad niet wordt afgeschermd en nog draait, 'loopt' de zaag naar achteren en wordt letsel of schade veroorzaakt. Let op: als u de zaag uitschakelt, zal het zaagblad nog enige tijd draaien.

## Spouwmesfunctie

- Gebruik een zaagblad dat geschikt is voor het spouwmes.** Voor een juiste werking van het spouwmes moet de kern van het zaagblad dunner zijn dan het spouwmes, en moet de snijbreedte van het zaagblad groter zijn dan de dikte van het spouwmes.
- Stel het spouwmes in zoals aangegeven in deze gebruikershandleiding.** Een onjuiste afstand, positie en uitlijning kunnen het spouwmes ineffectief maken in het voorkomen van terugslag.
- Gebruik het spouwmes altijd, behalve wanneer u een invalsneede wilt maken.** Nadat u een invalzaagsnede hebt gemaakt, moet het spouwmes worden teruggeplaatst. Een spouwmes stoot bij het invalzagen en kan terugslag veroorzaken.
- Hiervoor moet het spouwmes zich in het materiaal van het werkstuk bevinden.** Bij korte zaagsneden kan terugslag niet door een spouwmes worden voorkomen.
- Gebruik de zaag niet als het spouwmes is gebogen.** Zelfs een lichte storing kan het sluiten van de beschermkap vertragen.

## Overige risico's.

Er kunnen zich tijdens het gebruik van het gereedschap ook andere risico's voordoen, die misschien niet in de bijgevoegde veiligheidswaarschuwingen worden vermeld. Deze risico's kunnen zich voordoen als gevolg van onoordeelkundig gebruik, langdurig gebruik, enz.

Zelfs als de veiligheidsvoorschriften in acht worden genomen en de veiligheidsvoorzieningen worden geïmplementeerd, kunnen bepaalde risico's niet worden vermeden. Deze omvatten:

- ◆ Verwondingen die worden veroorzaakt door het aanraken van draaiende of bewegende onderdelen.
- ◆ Verwondingen die worden veroorzaakt bij het vervangen van onderdelen, bladen of accessoires.
- ◆ Verwondingen die worden veroorzaakt door langdurig gebruik van het gereedschap. Als u langere periodes met het gereedschap werkt, is het raadzaam om regelmatig een pauze in te lassen.
- ◆ Gehoorbeschadiging.
- ◆ Gezondheidsrisico's als gevolg van het inademen van stof dat door gebruik van het gereedschap wordt veroorzaakt (bijvoorbeeld tijdens het werken met hout, vooral eiken, beuken en MDF.)

## Zaagbladen

- ◆ Gebruik nooit een zaagblad met een grotere of kleinere diameter dan wordt aanbevolen. Zie de technische gegevens voor het juiste type zaagblad. Gebruik alleen zaagbladen die worden aangegeven in deze handleiding en die voldoen aan de norm EN 847-1.
- ◆ **Waarschuwing!** Gebruik nooit slijpschijven.

## Veiligheid van anderen

- ◆ Dit apparaat mag niet worden gebruikt door personen (waaronder kinderen) met een lichamelijke of geestelijke beperking of die geen ervaring met of kennis van dit apparaat hebben, tenzij ze onder toezicht staan of instructies krijgen wat betreft het gebruik van het apparaat van een persoon die verantwoordelijk is voor hun veiligheid.
- ◆ Houd toezicht op kinderen om ervoor te zorgen dat zij niet met het apparaat gaan spelen.

## Trilling

De aangegeven waarden voor trillingsemissie in de technische gegevens en de conformiteitsverklaring zijn gemeten conform een standaardtestmethode die door EN 60745 wordt geboden. Hiermee kan het ene gereedschap met het andere worden vergeleken. De aangegeven waarde voor trillingsemissie kan ook worden gebruikt bij een voorlopige bepaling van blootstelling.

**Waarschuwing!** De waarde voor trillingsemissie tijdens het werkelijke gebruik van het gereedschap kan verschillen van de aangegeven waarde afhankelijk van de manieren waarop het gereedschap wordt gebruikt. Het trillingsniveau kan hoger worden dan het aangegeven niveau.

Wanneer de blootstelling aan trillingen wordt vastgesteld teneinde veiligheidsmaatregelen te bepalen die worden vereist door 2002/44/EG ter bescherming van personen die tijdens hun werk regelmatig elektrische gereedschappen gebruiken, moet bij een schatting van de blootstelling aan trillingen rekening worden gehouden met de werkelijke omstandigheden van het gebruik en de manier waarop het gereedschap wordt gebruikt. Daarbij moet ook rekening worden gehouden met alle stappen in de gebruikscyclus, zoals het moment waarop het gereedschap wordt uitgeschakeld en wanneer het gereedschap stationair loopt alsook de aanlooptijd.

## Labels op het gereedschap

De volgende symbolen zijn op het apparaat aangegeven:



**Waarschuwing!** De gebruiker moet de instructiehandleiding lezen om het risico op letsel te verminderen.

## Elektrische veiligheid



Dit gereedschap is dubbel geïsoleerd. Een aardaansluiting is daarom niet noodzakelijk. Controleer altijd of uw netspanning overeenkomt met de waarde op het typeplaatje.

- ◆ Als het netsnoer is beschadigd, moet dit, om ongelukken te voorkomen, worden vervangen door de fabrikant of in een Stanley Fat Max-servicecentrum.

## Onderdelen

Dit gereedschap kan de volgende onderdelen bevatten:

1. Aan-/uitschakelaar
2. Ontgrendelingsknop
3. Handgreep
4. Steungreep
5. Vergrendelingsknop voor de spil
6. Zool
7. Zaagblad
8. Beschermkap voor zaagblad
9. Spouwmes
10. Opening voor stofafzuiging

## Montage

**Waarschuwing!** Schakel het gereedschap uit, koppel het netsnoer los en wacht tot het zaagblad stilstaat voordat u de volgende handelingen uitvoert.

### Een zaagblad bevestigen en verwijderen (fig. A)

#### Verwijderen

- ◆ Houd de vergrendelingsknop voor de spindel (5) ingedrukt en draai het blad (8) totdat de spindelvergrendeling wordt geactiveerd.
- ◆ Draai de bevestigingsschroef (11) van het zaagblad linksom los met de bijgeleverde moersleutel (12) en verwijder deze.
- ◆ Verwijder de buitenste borgring (13).
- ◆ Verwijder het zaagblad (7).

#### Bevestigen

- ◆ Plaats het zaagblad op de binnenste rand (14) en zorg ervoor dat de pijl op het zaagblad in dezelfde richting wijst als de pijl op het gereedschap.
- ◆ Plaats de buitenste borgring (13) op de spindel. Het opstaande gedeelte van de ring moet van het zaagblad af wijzen.
- ◆ Plaats de bevestigingsschroef van het zaagblad (11) in het gat.
- ◆ Houd de vergrendelingsknop (5) ingedrukt.
- ◆ Draai de bevestigingsschroef van het zaagblad rechtsom stevig vast met de bijgeleverde moersleutel (12).
- ◆ Stel het spouwmes af op de hierna beschreven wijze.

### Spouwmes afstellen (fig. B)

Het spouwmes voorkomt dat het zaagblad vast komt te zitten tijdens het schulpen. Het spouwmes moet worden afgesteld nadat het zaagblad is vervangen.

- ◆ Draai de schroeven (15) los met de moersleutel (12), terwijl u het spouwmes in positie houdt.
- ◆ Plaats het spouwmes (9) in de aangegeven stand.
- ◆ De afstand tussen de getande rand en het spouwmes moet 2-3 mm bedragen.
- ◆ Het hoogteverschil tussen de gekartelde rand en de onderzijde van het spouwmes moet 2-3 mm bedragen.
- ◆ Draai de schroeven vast.

### De parallelle geleider bevestigen en verwijderen (fig. C)

- ◆ Met de zijgeleider kunt u in een rechte lijn zagen, parallel aan de rand van het werkstuk.

#### Bevestigen

- ◆ Draai de vergrendelingsknop (16) los.
- ◆ Plaats de parallelle geleider (17) in de openingen (18).
- ◆ Schuif de zijgeleider in de gewenste stand.
- ◆ Draai de vergrendelingsknop vast.

#### Verwijderen

- ◆ Draai de vergrendelingsknop los.
- ◆ Trek de zijgeleider uit het gereedschap.

## Gebruik

**Waarschuwing!** Laat het gereedschap in zijn eigen tempo werken. Niet overbelasten.

Dit gereedschap kan linkshandig en rechtshandig worden gebruikt.

### De zaaghoek instellen (fig. D)

- ◆ Gebruik een winkelhaak om te controleren dat de hoek tussen het zaagblad en de zool 90° bedraagt. Als de hoek niet gelijk is aan 90° corrigeer deze als volgt:
  - ◆ Draai de vergrendelingsknop (19) los om de zool te ontgrendelen.
  - ◆ Draai de borgmoer (20) op de afstelschroef (21) los.
  - ◆ Draai de afstelschroef naar binnen of naar buiten om een hoek van 90° te bereiken.
  - ◆ Draai de borgmoer weer vast.
  - ◆ Draai de vergrendelingsknop vast om de zool in zijn positie te vergrendelen.

### De zaagdiepte instellen (fig. E)

De zaagdiepte wordt gebaseerd op de dikte van het werkstuk. Deze moet ongeveer 2 mm groter zijn dan de dikte.

- ◆ Draai de knop (22) los om de zool te ontgrendelen.
- ◆ Beweeg de zaagzool (6) naar de gewenste positie. De overeenkomende zaagdiepte kan op de schaal (23) worden afgelezen.
- ◆ Zet de knop vast om de zool te vergrendelen.

## De zaaghoek instellen (fig. F)

Dit gereedschap kan worden ingesteld om hoeken onder verstek te zagen tussen 0° en 45°.

- ◆ Draai de vergrendelingsknop (19) los om de zool te ontgrendelen.
- ◆ Beweeg de zaagzool (8) naar de gewenste positie. De overeenkomende verstekhoek kan worden afgelezen op de schaal (24).
- ◆ Draai de vergrendelingsknop vast om de zool in zijn positie te vergrendelen.

## In- en uitschakelen

- ◆ U schakelt het gereedschap in door de ontgrendelingsknop (2) in de ontgrendelingsstand te duwen en op de aan/uit-schakelaar (1) te drukken.
- ◆ Laat de aan/uit-schakelaar los om het gereedschap uit te schakelen.

## Zagen

Houd het gereedschap altijd met beide handen vast.

- ◆ Laat het blad een paar seconden vrij bewegen voordat u begint te zagen.
- ◆ Voer slechts geringe druk op het gereedschap uit terwijl u zaagt.
- ◆ Druk de zool tijdens het zagen altijd tegen het werkstuk.

**Opmerking:** Zorg ervoor dat de uiteinden van het blad niet oververhit raken.

## Richtlijn gebruiken (fig. G)

Het gereedschap is voorzien van een zichtgeleider voor recht zagen (25) en voor 45° verstekzagen (26).

- ◆ U kunt de richtlijn instellen op de hierna beschreven wijze.
- ◆ Lijn de linkerrand van de richtlijnen (25) of (26) uit met de zaaglijn (27).
- ◆ Houd de richtlijn uitgelijnd met de zaaglijn tijdens het zagen.
- ◆ Druk de zool tijdens het zagen altijd tegen het werkstuk.

## De richtlijn instellen

- ◆ Zaag een stuk afvalhout voor de helft doormidden.
- ◆ Trek de zaag gedeeltelijk terug, zodat u de zaaglijn (27) kunt zien.
- ◆ Terwijl u de zaag in deze positie houdt, draait u de zichtgeleider op de zaagzool los, zoals aangegeven.
- ◆ Lijn de 0° markering (25) op de zichtgeleider uit met de zaaglijn (27). Om 45° verstekhoekzaagsneden in te stellen, moet de 45° markering (26) op de zichtgeleider worden uitgelijnd met de zaaglijn.
- ◆ Zet de zichtgeleider met de schroef (28) vast.

## Stofafzuiging

Als u een stofzuiger wilt aansluiten op het gereedschap, hebt u een adapter nodig.

- ◆ Plaats de stofafzuigingsadapter op de opening voor stofafzuiging (10).
- ◆ Verbind de slang van de stofzuiger met de adapter.

## Tips voor optimaal gebruik

- ◆ Gebruik altijd een type zaagblad dat geschikt is voor het werkstukmateriaal en voor het type zaagsnede.
- ◆ Houd het gereedschap altijd met beide handen vast.
- ◆ Laat het blad een paar seconden vrij bewegen voordat u begint te zagen.
- ◆ Voer slechts geringe druk op het gereedschap uit terwijl u zaagt.
- ◆ Druk de zool tijdens het zagen altijd tegen het werkstuk.
- ◆ Aangezien splintervorming bij de zaagrand aan de bovenzijde van het werkstuk onvermijdelijk is, kunt u het beste zagen aan de kant waar splintervorming acceptabel is.
- ◆ Als u de splintervorming wilt minimaliseren, bijvoorbeeld bij het zagen van laminaat, klemt u een stuk multiplex boven op het werkstuk.
- ◆ Ondersteun grote panelen om het risico op vastlopen of terugslaan te minimaliseren. Grote panelen zakken vaak in onder hun eigen gewicht.
- ◆ Er moeten steunen aan beide kanten onder het paneel worden geplaatst: naast de snijlijn en naast de rand van het paneel waarin u zaagt.
- ◆ Houd nooit het stuk dat u wilt snijden in uw handen of over uw benen.
- ◆ Zet het werkstuk met klemmen vast op een stabiel platform. Het is belangrijk dat het werkstuk goed wordt ondersteund, zodat het risico van aanraking, het vastzitten van het zaagblad of verlies van controle wordt geminimaliseerd.

## Accessoires

De prestaties van het gereedschap zijn afhankelijk van de gebruikte accessoires. Accessoires van Stanley Fat Max zijn ontworpen om aan hoge kwaliteitsnormen te voldoen en de prestaties van uw gereedschap te verhogen. In combinatie met deze accessoires kunt u uw gereedschap nog beter laten presteren.

## Onderhoud

Uw gereedschap is ontworpen om gedurende een lange periode te functioneren met een minimum aan onderhoud. U kunt het gereedschap naar volle tevredenheid blijven gebruiken als u voor correct onderhoud zorgt en het gereedschap regelmatig schoonmaakt.

**Waarschuwing!** Schakel de machine uit en haal de stekker uit het stopcontact voordat u onderhoud uitvoert.



- ◆ Reinig regelmatig de ventilatieopeningen van het gereedschap en de lader met een zachte borstel of droge doek.
- ◆ Reinig de behuizing van de motor regelmatig met een vochtige doek. Gebruik geen schuur- of oplosmiddel.

## Netstekker vervangen (alleen Verenigd Koninkrijk en Ierland)

Als er een nieuwe netstekker moet worden aangebracht:

- ◆ Gooi de oude stekker op verantwoorde wijze weg.
- ◆ Verbind de bruine draad met de spannings-/fasepool in de nieuwe stekker.
- ◆ Verbind de blauwe draad met de nul-/neutraalpool.

**Waarschuwing!** De aardepool hoeft niet te worden aangesloten. Volg de bevestigingsinstructies die met hoogwaardige stekkers worden meegeleverd. Aanbevolen zekering: 13 A.

## Milieu



Aparte inzameling. Dit product mag niet met normaal huishoudelijk afval worden weggegooid.

Mocht u op een dag constateren dat het Stanley Fat Max-product aan vervanging toe is of dat u het apparaat niet meer nodig hebt, gooi het product dan niet bij het restafval. Het product valt onder de categorie voor elektrische apparaten.



Gescheiden inzameling van gebruikte producten en verpakkingsmaterialen maakt het mogelijk materialen te recyclen en opnieuw te gebruiken. Hergebruik van gerecycleerde materialen zorgt voor minder milieuvuiling en dringt de vraag naar grondstoffen terug.

Plaatselijke verordeningen kunnen voorzien in gescheiden inzameling van huishoudelijke elektrische producten via gemeentelijke stortplaatsen of via de leverancier bij wie u een nieuw product aanschaft.

Stanley Europe biedt de mogelijkheid tot het recyclen van afgedankte Stanley Fat Max-producten. Om gebruik te maken van deze service, dient u het product naar een van onze servicecentra te sturen, die de inzameling voor ons verzorgen.

U kunt het adres van het dichtstbijzijnde Stanley Europe-servicecentrum opvragen via de adressen op de achterzijde van deze handleiding. U kunt ook een lijst van Stanley Europe-servicecentra en meer informatie over onze klantenservice en contactpersonen vinden op het volgende internetadres: [www.2helpU.com](http://www.2helpU.com)

## Technische gegevens

FME300 (Type 1)	
Ingangsspanning	$V_{ac}$ 230
Opgenomen vermogen	W 1,600
Onbelast toerental	$min^{-1}$ 5,000
Max. zaagdiepte	mm 65
Max. diepte bij een 45° verstekhoekzaagsnede	mm 50
Diameter van zaagblad	mm 190
Boring van zaagblad	mm 16
Tijpbreedte zaagblad	mm 2.3
Gewicht	kg 5.4

$L_{pA}$  (geluidsdruk) 94 dB(A), meetonzekerheid (K) 3 dB(A)

$L_{WA}$  (geluidsvermogen) 105 dB(A), meetonzekerheid (K) 3 dB(A)

Totale trillingswaarden (som triaxvector) volgens EN 60745:

In hout zagen ( $a_{h,W}$ ) 4.8  $m/s^2$ , meetonzekerheid (K) 1.5  $m/s^2$

**EG-conformiteitsverklaring**

MACHINERICHTLIJN



FME300

Stanley Europe verklaart dat deze producten, die zijn beschreven onder "Technische gegevens", voldoen aan:

2006/42/EG, EN 60745-1, EN 60745-2-5

Deze producten voldoen tevens aan richtlijn 2004/108/EG en 2011/65/EU. Neem voor meer informatie contact op met Stanley Europe op het volgende adres of raadpleeg de achter-

zijde van de handleiding.

Ondergetekende is verantwoordelijk voor de compilatie van het technische bestand en geeft deze verklaring namens

Stanley Europe af.

Kevin Hewitt  
Vice-President Global Engineering  
Stanley Europe, Egide Walschaertsstraat14-18,  
2800 Mechelen, België  
07/10/2013

**Garantie**

Stanley Europe heeft vertrouwen in haar producten en biedt een uitstekende garantie voor professionele gebruikers van het product. Deze garantieverklaring is een aanvulling op, en vormt op geen enkele wijze een beperking van, uw contractuele rechten als private niet-professionele gebruiker. De garantie geldt in de lidstaten van de Europese Unie en de Europese Vrijhandelsassociatie.

**EEN JAAR VOLLEDIGE GARANTIE**

Als uw Stanley Fat Max-product binnen 12 maanden na aankoop defect raakt ten gevolge van materiaal- of constructiefouten, dan garandeert Stanley Europe de kosteloze vervanging van defecte onderdelen, de reparatie van het product of – naar eigen inzicht – de vervanging van het product, indien wordt voldaan aan de volgende voorwaarden:

- ◆ Het product is niet misbruikt en is gebruikt in naleving van de instructiehandleiding.
- ◆ Het product is blootgesteld aan redelijkerwijs te verwachten slijtage of gebruik;
- ◆ Er zijn geen reparaties of pogingen tot reparatie uitgevoerd door niet-geautoriseerde personen.
- ◆ Bewijs van aanschaf kan worden getoond.
- ◆ Het Stanley Fat Max product wordt compleet geretourneerd met alle originele onderdelen

Indien u een claim wilt indienen, neemt u contact op met uw verkooppunt, gaat u naar uw dichtstbijzijnde Stanley Fat Max-centrum (u vindt het adres in de Stanley Fat Max-catalogus) of neemt u contact op met de Stanley Fat Max-vestiging waarvan het adres wordt vermeld in deze handleiding. Er is ook een lijst van Stanley Fat Max-servicecentra en meer informatie over onze klantenservice te vinden op het volgende internetadres: [www.stanley.eu/3](http://www.stanley.eu/3)

## Uso previsto

La sierra de Stanley Fat Max ha sido diseñada para serrar madera y productos de madera. Esta herramienta está pensada para usuarios profesionales y para usuarios no profesionales.

## Instrucciones de seguridad

### Advertencias de seguridad generales para herramientas eléctricas



**¡Atención!** Lea todas las advertencias e instrucciones de seguridad. En caso de no atenerse a las siguientes advertencias e instrucciones de seguridad, podría producirse una descarga eléctrica, incendio o lesión grave.

### Guarde todas las advertencias e instrucciones para futuras consultas.

El término "herramienta eléctrica" empleado en las advertencias a continuación hace referencia a la herramienta eléctrica con alimentación de red (con cable) o alimentada por batería (sin cable).

#### 1. Seguridad del área de trabajo

- Mantenga limpia y bien iluminada el área de trabajo.** El desorden y una iluminación deficiente pueden provocar accidentes.
- No utilice la herramienta eléctrica en un entorno con peligro de explosión, en el que se encuentren líquidos, gases o material en polvo inflamables.** Las herramientas eléctricas producen chispas que pueden llegar a inflamar el polvo o los vapores.
- Cuando utilice la herramienta eléctrica, mantenga alejados a los niños y a otras personas del área de trabajo.** Una distracción le puede hacer perder el control del aparato.

#### 2. Seguridad eléctrica

- El enchufe de la herramienta eléctrica debe corresponder a la toma de corriente utilizada. No modifique el enchufe. No emplee adaptadores en herramientas eléctricas dotadas con toma de tierra.** Estas pautas le ayudarán a reducir el riesgo de descargas eléctricas.
- Evite tocar partes conectadas a tierra como tuberías, radiadores, cocinas y refrigeradores.** El riesgo a quedar expuesto a una descarga eléctrica es mayor si su cuerpo tiene contacto con tierra.
- No exponga las herramientas eléctricas a la lluvia y evite que penetren líquidos en su interior, ya que existe el peligro de recibir una descarga eléctrica.**

- Cuide el cable de alimentación. No lo utilice para transportar o colgar la herramienta eléctrica, ni tire de él para extraer el enchufe de la toma de corriente. Manténgalo alejado del calor, aceite, bordes afilados o piezas móviles.** Los cables de red dañados o enredados incrementan el riesgo de descarga eléctrica.
- Si trabaja con la herramienta eléctrica en el exterior, utilice solamente cables de prolongación homologados para uso en exteriores.** Esto le ayudará a reducir el riesgo de descarga eléctrica.
- Si la utilización de una herramienta eléctrica en un lugar húmedo es inevitable, utilice una fuente protegida con un dispositivo de corriente residual (RCD).** La utilización de un RCD reduce el riesgo de sufrir descargas eléctricas.

#### 3. Seguridad personal

- Esté atento a lo que hace y utilice la herramienta eléctrica con prudencia. No la use si está cansado, ni si se encuentra bajo los efectos del alcohol, drogas o medicamentos.** El no estar atento durante el uso de una herramienta eléctrica puede provocarle serias lesiones.
- Utilice material de protección personal. Utilice siempre gafas de protección.** El riesgo de lesiones se reduce considerablemente si se utiliza material de protección adecuado como una mascarilla antipolvo, zapatos de seguridad con suela antideslizante, casco o protectores auditivos.
- Impida que la herramienta se ponga en marcha accidentalmente. Asegúrese de que el interruptor de encendido/apagado se encuentra en la posición de apagado antes de conectar la herramienta a la fuente de alimentación o a la batería, o de coger o transportar la herramienta.** Transportar la herramienta eléctrica con el dedo sobre el interruptor o enchufarla con el interruptor encendido puede provocar accidentes.
- Retire las herramientas de ajuste o llaves fijas antes de conectar la herramienta eléctrica.** Una herramienta o llave colocada en una pieza giratoria de la herramienta eléctrica puede producir lesiones al ponerse a funcionar.
- Sea precavido. Evite adoptar una posición que fatigue su cuerpo; mantenga un apoyo firme sobre el suelo y conserve el equilibrio en todo momento.** Ello le permitirá controlar mejor la herramienta eléctrica en caso de presentarse una situación inesperada.
- Vístase con la ropa adecuada. No lleve ropa holgada ni joyas. Aleje el pelo, la ropa y los guantes de las piezas móviles.** La vestimenta holgada, las joyas y el pelo largo se pueden enganchar con las piezas en movimiento.

- g. **Siempre que sea posible utilizar equipos de aspiración o captación de polvo, asegúrese de que estos estén conectados y que se utilicen correctamente.** El empleo de estos equipos reduce los riesgos derivados del polvo.

#### 4. Uso y cuidado de herramientas eléctricas

- a. **No sobrecargue la herramienta eléctrica. Use la herramienta eléctrica adecuada para cada aplicación.** Con la herramienta eléctrica adecuada podrá trabajar mejor y más seguro dentro del margen de potencia indicado.
- b. **No utilice herramientas eléctricas con un interruptor defectuoso.** Las herramientas eléctricas que no se puedan conectar o desconectar son peligrosas y deben repararse.
- c. **Desconecte de la herramienta eléctrica el enchufe de la fuente de alimentación y de la batería antes de realizar cualquier ajuste, cambiar accesorios o guardar la herramienta.** Esta medida preventiva reduce el riesgo de encender accidentalmente la herramienta eléctrica.
- d. **Guarde las herramientas eléctricas fuera del alcance de los niños y de las personas que no estén familiarizadas con su uso.** Las herramientas eléctricas utilizadas por personas inexpertas son peligrosas.
- e. **Cuide sus herramientas eléctricas con esmero.** Controle si funcionan correctamente, sin atascarse, las partes móviles de la herramienta eléctrica, y si existen partes rotas o deterioradas que pudieran afectar al funcionamiento de la herramienta. Si la herramienta eléctrica estuviese defectuosa, haga que la reparen antes de volver a utilizarla. Muchos de los accidentes se deben a herramientas eléctricas con un mantenimiento deficiente.
- f. **Mantenga las herramientas de corte limpias y afiladas.** Las herramientas de corte mantenidas correctamente se dejan guiar y controlar mejor.
- g. **Utilice la herramienta eléctrica, los accesorios, los útiles de la herramienta, etc. de acuerdo con estas instrucciones, y tenga en cuenta las condiciones de trabajo y la tarea que se va a realizar.** El uso de herramientas eléctricas para trabajos diferentes de aquellos para los que han sido concebidas puede resultar peligroso.

#### 5. Servicio técnico


- a. **Esta herramienta eléctrica sólo la puede reparar personal técnico autorizado que emplee exclusivamente piezas de repuesto originales.** Solamente así se garantiza la seguridad de la herramienta eléctrica.

### Advertencias de seguridad adicionales para herramientas eléctricas



**¡Atención!** Instrucciones de seguridad para todas las sierras

#### Procedimientos de corte

- a.  **Mantenga las manos apartadas de la zona de corte y de la hoja. Mantenga la mano que queda libre en la empuñadura auxiliar o en la carcasa del motor.** Si sostiene la sierra con ambas manos, no se podrá cortar con la hoja.
- b. **No toque la parte inferior de la pieza de trabajo.** El protector no podrá protegerle de la hoja por debajo de la pieza de trabajo.
- c. **Ajuste la profundidad de corte al grosor de la pieza de trabajo.** Deberá verse menos de un diente completo de la hoja por debajo de la pieza de trabajo.
- d. **Nunca sostenga la pieza que está cortando en sus manos ni sobre una pierna. Fije la pieza de trabajo a una plataforma estable.** Es importante que la pieza de trabajo tenga un soporte correcto a fin de minimizar el riesgo corporal, el bloqueo de la hoja o la pérdida de control.
- e. **Sujete la herramienta eléctrica únicamente por la superficie protegida cuando realice una operación en la que la herramienta de corte pueda entrar en contacto con cableado oculto o con su propio cable.** El contacto con un cable conectado también electrificará las partes metálicas de la herramienta eléctrica y podría provocar una descarga eléctrica al usuario.
- f. **Cuando corte en dirección a la veta, utilice siempre una guía de corte.** De esta manera, mejorará la precisión del corte y reducirá la posibilidad de que la hoja se bloquee.
- g. **Utilice siempre hojas cuyos orificios para el eje tengan un tamaño y forma correctos (diamante o redondos).** Los hojas que no encajen correctamente con los elementos de montaje de la sierra no funcionarán con normalidad, lo que producirá una pérdida de control.
- h. **No utilice nunca pernos ni arandelas de disco dañados o inadecuados.** Las arandelas y el perno de la hoja han sido diseñados especialmente para que su sierra tenga un funcionamiento y seguridad óptimos.

## Instrucciones de seguridad adicionales para todas las sierras

### Causas del retroceso y advertencias relacionadas

- ◆ el retroceso es una reacción repentina que se produce cuando la hoja de la sierra se engancha, se bloquea o está mal alineado y hace que éste se levante repentinamente y salga de la pieza de trabajo hacia el usuario;
- ◆ cuando la hoja se engancha o se bloquea fuertemente en la muesca y se para, la hoja se paraliza y la reacción del motor lleva la unidad rápidamente hacia el usuario;
- ◆ si la hoja se tuerce o queda mal alineado en la muesca, los dientes del borde posterior de la hoja pueden introducirse en la superficie superior de la madera y hacer que la hoja salga fuera de la muesca y retroceda hacia el usuario.

El retroceso se debe a la utilización inadecuada de la sierra y/o a los procedimientos o condiciones de trabajo incorrectos y puede evitarse tomando las precauciones que se detallan a continuación.

- a. **Mantenga asida firmemente la sierra con ambas manos y ponga los brazos de tal manera que puedan resistir la fuerza de un retroceso. Coloque el cuerpo en uno de los lados de la hoja y no en línea recta con este.** El retroceso puede hacer que la sierra salte hacia atrás, aunque el usuario puede controlar este impulso si ha adoptado las medidas adecuadas.
- b. **Cuando el disco se bloquee o cuando, por algún motivo, interrumpa un corte, suelte el gatillo y no mueva la sierra del material que está cortando hasta que el disco se haya detenido por completo. Nunca intente sacar la sierra de la pieza de trabajo ni tirar de ella mientras la hoja esté en funcionamiento, ya que podría producirse un retroceso.** Investigue y adopte las medidas correctoras necesarias para eliminar la causa del bloqueo de la hoja.
- c. **Cuando reinicie la sierra en la pieza de trabajo, centre el disco en la muesca y compruebe que los dientes de la sierra no estén encajados en el material de trabajo.** Si la hoja de la sierra está bloqueada, puede que se levante o retroceda al volver a arrancar la sierra.
- d. **Apoye los paneles grandes en una superficie, a fin de minimizar el riesgo de que el disco quede atrapado o salga despedido hacia atrás.** Los paneles grandes tienen tendencia a combarse por su propio peso. Es preciso colocar soportes debajo del panel en ambos lados, cerca de la línea de corte y del borde del panel.
- e. **No utilice discos desafilados ni dañados.** Las hojas sin afilar o que están mal colocadas abren una muesca estrecha que produce una fricción excesiva, el bloqueo de la hoja y el retroceso de esta.

- f. **Las palancas de bloqueo de ajuste del bisel y de la profundidad del disco deben apretarse y fijarse antes de iniciar el corte.** Si el ajuste de la hoja varía durante el proceso de corte, puede producirse un bloqueo y un retroceso.
- a. **Adopte medidas de precaución extraordinarias cuando sierre en muros u otras zonas ciegas.** La parte que sobresalga de la hoja puede cortar objetos que produzcan un retroceso.

### Función de protección inferior

- a. **Antes de cada uso, compruebe que el protector inferior esté bien cerrado. No ponga en funcionamiento la sierra si el protector inferior no se mueve libremente ni se cierra al instante. Nunca sujete ni ate el protector inferior en posición abierta.** Si la sierra se cae accidentalmente, el protector inferior puede curvarse. Levante el protector inferior con la empuñadura de retracción y asegúrese de que se mueva libremente en todos los ángulos y profundidades de corte y de que no toque la hoja ni ninguna otra pieza.
- b. **Compruebe el funcionamiento del muelle del protector inferior. Si el muelle y el protector no funcionan correctamente, deberá efectuarse un servicio de mantenimiento antes de utilizarlos.** Es posible que el protector inferior funcione lentamente debido a piezas dañadas, restos pegajosos o una acumulación de desechos.
- c. **El protector inferior solo debe retraerse manualmente en casos especiales como los "cortes directos" o los "cortes compuestos".** Para levantar el protector inferior, tire de la empuñadura hacia atrás y, tan pronto como la hoja entre en el material, libérela. Para todos los demás serrados, el protector inferior deberá funcionar automáticamente.
- d. **Antes de poner la sierra en un banco de trabajo o en el suelo, asegúrese de que el protector inferior cubra la hoja.** Una hoja deslizante y sin protección puede hacer que la sierra retroceda y corte todo lo que encuentre en su camino. Tenga en cuenta el tiempo que la hoja tarda en detenerse después de soltar el interruptor.

### Función de cuchillo divisor

- a. **Utilice una sierra segmentada adecuada para el cuchillo divisor.** Para que el cuchillo divisor funcione correctamente, el cuerpo del disco debe ser más fino que el cuchillo divisor y el ancho de corte del disco debe ser más ancho que el grosor del cuchillo divisor.
- b. **Ajuste el cuchillo divisor tal y como se indica en el presente manual de instrucciones.** Una colocación, posición o espaciado incorrectos pueden hacer que el cuchillo divisor no evite retrocesos.

- c. **Utilice siempre el cuchillo divisor, salvo cuando realice cortes directos.** El cuchillo divisor deberá sustituirse después de cada corte directo. Dicho cuchillo interfiere en los cortes directos y puede crear un retroceso.
- d. **Para que dicho cuchillo funcione, debe estar encajado en la pieza de trabajo.** En los cortes breves, el cuchillo divisor no evita retrocesos.
- e. **No trabaje con la sierra si el cuchillo divisor está curvado.** Incluso una pequeña interferencia puede reducir la velocidad de cierre del protector.

### Riesgos residuales.

El uso de esta herramienta puede producir riesgos residuales adicionales no incluidos en las advertencias de seguridad adjuntas. Estos riesgos se pueden generar por un uso incorrecto, demasiado prolongado, etc.

El cumplimiento de las normas de seguridad correspondientes y el uso de dispositivos de seguridad no evitan ciertos riesgos residuales. Estos riesgos incluyen:

- ◆ Lesiones producidas por el contacto con piezas móviles o giratorias.
- ◆ Lesiones producidas al cambiar cualquier pieza, cuchilla o accesorio.
- ◆ Lesiones producidas al usar una herramienta por un tiempo demasiado prolongado. Si utiliza una herramienta durante períodos de tiempo demasiado prolongados, asegúrese de realizar pausas con frecuencia.
- ◆ Discapacidad auditiva.
- ◆ Riesgos para la salud producidos al respirar el polvo que se genera al usar la herramienta (por ejemplo: en los trabajos con madera, especialmente de roble, haya y tableros de densidad mediana).

### Hojas de sierra

- ◆ No utilice hojas de diámetro superior o inferior al recomendado. Para una evaluación correcta de la hoja de sierra, consulte la ficha técnica. Utilice únicamente las hojas de sierra especificadas en este manual, compatibles con EN 847-1.
- ◆ **¡Atención!** No utilice nunca discos abrasivos.

### Seguridad de terceros

- ◆ Ninguna persona (incluidos los niños) con capacidades físicas, sensoriales o mentales disminuidas, o que carezca de experiencia y conocimientos, debe utilizar este aparato, salvo que haya recibido supervisión o formación con respecto al uso del aparato por parte de una persona responsable de su seguridad.
- ◆ Los niños deben vigilarse en todo momento para garantizar que el aparato no se toma como elemento de juego.

### Vibración

El valor de emisión de vibraciones indicado en el apartado de características técnicas y en la declaración de conformidad se ha calculado según un método de prueba estándar proporcionado por la norma EN 60745 y puede utilizarse para comparar una herramienta con otra. El valor de emisión de vibraciones especificado también puede utilizarse en una evaluación preliminar de la exposición.

**¡Atención!** El valor de emisión de vibraciones durante el funcionamiento real de la herramienta eléctrica puede diferir del valor declarado en función de cómo se utilice dicha herramienta. El nivel de las vibraciones puede superar el indicado.

Al evaluar la exposición a las vibraciones con el fin de determinar las medidas de seguridad que exige la norma 2002/44/CE para proteger a las personas que utilizan periódicamente herramientas eléctricas en el entorno laboral, deberá tenerse en cuenta una estimación de la exposición a las vibraciones, las condiciones de uso reales y el modo de empleo de la herramienta, así como los pasos del ciclo operativo como, por ejemplo, el número de veces que la herramienta se apaga, el tiempo que está parada y el tiempo de activación.

### Etiquetas en la herramienta

Encontrará los siguientes símbolos en la herramienta:



**¡Atención!** Para reducir el riesgo de lesiones, el usuario debe leer el manual de instrucciones.

### Seguridad eléctrica



Esta herramienta lleva un doble aislamiento; por lo tanto, no requiere una toma a tierra. Compruebe siempre que la tensión de la red corresponda con el valor indicado en la placa de datos de la herramienta.

- ◆ Si se dañara el cable de alimentación, deberá ser sustituido por el fabricante o un centro de asistencia técnica autorizado de Stanley Fat Max para evitar cualquier situación de riesgo.

### Características

Esta herramienta incluye alguna de las siguientes características o todas ellas.

1. Interruptor de encendido/apagado
2. Botón de desbloqueo
3. Empuñadura principal
4. Empuñadura secundaria
5. Botón de bloqueo del eje

6. Zapata
7. Hoja de sierra
8. Protector del disco de la sierra
9. Cuchillo divisor
10. Dispositivo para polvo de la sierra

## Montaje

**¡Atención!** Antes de llevar a cabo cualquiera de las siguientes operaciones, asegúrese de que la herramienta está desconectada, desenchufada y que la hoja se ha detenido.

## Extracción y colocación del disco de la sierra (Fig. A)

### Desmontaje

- ◆ Mantenga pulsado el botón de bloqueo del eje (5) y gire la sierra hasta que el bloqueo del eje encaje.
- ◆ Con la llave de tuercas (12) suministrada, afloje y retire el tornillo (11) que retiene la hoja girándolo en sentido contrario a las agujas del reloj.
- ◆ Extraiga la arandela exterior (13).
- ◆ Extraiga el disco de la sierra (7).

### Montaje

- ◆ Coloque el disco de la sierra en la brida interior (14) y asegúrese de que la flecha del disco apunte en la misma dirección que la flecha de la herramienta.
- ◆ Coloque la arandela exterior (13) en el eje, con la parte levantada en dirección contraria a la hoja de sierra.
- ◆ Inserte el tornillo (11) que retiene la hoja en el orificio.
- ◆ Mantenga pulsado el botón de bloqueo del eje (5).
- ◆ Con la llave de tuercas (12) suministrada, apriete fuertemente el tornillo que retiene la hoja girándolo en el sentido de las agujas del reloj.
- ◆ Ajuste el cuchillo divisor tal como se describe a continuación.

## Ajuste del cuchillo divisor (fig. B)

El cuchillo divisor evita que el disco de la sierra se atasque durante las operaciones de sierra de corte en dirección a la veta. El cuchillo divisor debe ajustarse después de sustituir el disco de la sierra.

- ◆ Con la llave de tuercas (12), afloje los tornillos (15) mientras mantiene el cuchillo divisor en su posición.
- ◆ Coloque el cuchillo divisor (9) tal como se muestra.
- ◆ La distancia entre el borde dentado y el cuchillo divisor debe oscilar entre 2 y 3 mm.
- ◆ La diferencia de altura entre el borde dentado y el extremo inferior del cuchillo divisor debe oscilar entre 2 y 3 mm.
- ◆ Apriete los tornillos.

## Montaje y desmontaje de la guía paralela (fig. C)

- ◆ La guía paralela se utiliza para serrar en línea recta paralela al borde de la pieza de trabajo.

### Montaje

- ◆ Afloje el mando de bloqueo (16).
- ◆ Inserte la guía paralela (17) a través de los orificios (18).
- ◆ Deslice la guía paralela hasta la posición deseada.
- ◆ Apriete el mando de bloqueo.

### Desmontaje

- ◆ Afloje el mando de bloqueo.
- ◆ Tire de la guía paralela para separarla de la herramienta.

## Uso

**¡Atención!** Deje que la herramienta funcione a su ritmo. No la sobrecargue.

Esta herramienta se puede utilizar tanto con la mano derecha como con la izquierda.

## Ajuste del ángulo de serrado (fig. D)

- ◆ Utilice un cuadrado para comprobar que el ángulo entre el disco de la sierra y la base de esta sea de 90°. Si el ángulo no mide 90° ajústelo tal como le indicamos a continuación:
  - ◆ Afloje el mando de bloqueo (19) para desbloquear la base de la sierra.
  - ◆ Afloje la tuerca de bloqueo (20) del tornillo de ajuste (21).
  - ◆ Atornille el tornillo de ajuste hacia dentro o hacia fuera para conseguir un ángulo de 90°.
  - ◆ Vuelva a apretar la tuerca de bloqueo.
  - ◆ Apriete el mando de bloqueo para bloquear la base de la sierra.

## Ajuste la profundidad del corte (fig. E)

La profundidad del corte debe establecerse en función del grosor de la pieza de trabajo. Debe sobrepasar el grosor en unos 2 mm.

- ◆ Afloje el mando de bloqueo (22) para desbloquear la base de la sierra.
- ◆ Ponga la base de la sierra (6) en la posición deseada. La profundidad del corte correspondiente se puede leer en la escala (23).
- ◆ Apriete el mando de bloqueo para bloquear la base de la sierra.

## Ajuste del ángulo en bisel (fig. F)

Los ángulos de bisel de esta herramienta se pueden ajustar en valores comprendidos entre 0° y 45°.

- ◆ Afloje el mando de bloqueo (19) para desbloquear la base de la sierra.

- ◆ Ponga la base de la sierra (8) en la posición deseada. El ángulo en bisel correspondiente se puede leer en la escala (24).
- ◆ Apriete el mando de bloqueo para bloquear la base de la sierra.

### Encendido y apagado

- ◆ Para encender la herramienta, coloque el botón de bloqueo (2) en posición de desbloqueo y pulse el interruptor de encendido/apagado (1).
- ◆ Para apagar la herramienta, suelte el botón de encendido/apagado.

### Serrado

Sostenga siempre la herramienta con las dos manos.

- ◆ Deje que la hoja gire libremente durante unos segundos antes de empezar a cortar.
- ◆ Aplique presión suavemente a la herramienta mientras realiza el corte.
- ◆ Trabaje con la zapata presionada contra la pieza de trabajo.

**Nota:** Tenga cuidado de que las puntas de las hojas no se sobrecalienten.

### Uso de la guía visual (fig. G)

La herramienta está equipada con una guía visual para cortes rectos (25) y para cortes en ángulo de 45° (26).

- ◆ Ajuste la guía visual tal como se describe a continuación.
- ◆ Alinee el borde izquierdo de las guías (25) o (26) con la línea de corte (27).
- ◆ Mientras esté serrando, mantenga la guía visual alineada con la línea de corte.
- ◆ Trabaje con la zapata presionada contra la pieza de trabajo.

### Ajuste de la guía visual

- ◆ Haga un corte de prueba hasta la mitad de un trozo de madera desechable.
- ◆ Retire la sierra, de modo que la línea de corte (27) se pueda ver.
- ◆ Mientras mantiene la sierra en esta posición, afloje la guía visual de la base de la sierra tal como se indica.
- ◆ Alinee la marca 0° (25) de la guía visual con la línea de corte (27). Cuando ajuste los cortes en ángulo de 45°, alinee la marca 45° (26) de la guía visual con la línea de corte.
- ◆ Fije la guía visual con el tornillo (28).

### Extracción de polvo

Se necesita un adaptador para conectar una aspiradora o un extractor de polvo a la herramienta.

- ◆ Inserte el adaptador de extracción de polvo en la salida de polvo de la sierra (10).
- ◆ Conecte la manguera de la aspiradora al adaptador.

### Consejos para un uso óptimo

- ◆ Utilice siempre el tipo de hoja de sierra apropiado para cada material de trabajo y tipo de corte.
- ◆ Sostenga siempre la herramienta con las dos manos.
- ◆ Deje que la hoja se mueva durante unos segundos antes de empezar a cortar.
- ◆ Aplique presión suavemente a la herramienta mientras realiza el corte.
- ◆ Trabaje con la zapata presionada contra la pieza de trabajo.
- ◆ Dado que es inevitable que se produzca alguna astilla a lo largo de la línea de corte de la pieza de trabajo, realice el corte en la parte de la pieza en que la aparición de astillas no suponga un problema.
- ◆ Cuando la aparición de astillas deba reducirse a un mínimo, como en el caso de los laminados, ponga una pieza de contrachapado en la parte superior de la pieza de trabajo.
- ◆ Apoye los paneles grandes en una superficie, a fin de minimizar el riesgo de que la hoja quede atrapada o salga despedida hacia atrás. Los paneles grandes tienen tendencia a combarse por su propio peso.
- ◆ Es preciso poner soportes a ambos lados del panel, cerca de la línea de corte y del borde del panel que se está cortando.
- ◆ Nunca sostenga la pieza que está cortando en sus manos ni sobre una pierna.
- ◆ Fije la pieza de trabajo a una plataforma estable con la ayuda de enganches. Es importante que la pieza de trabajo tenga un soporte correcto a fin de minimizar el riesgo corporal, el bloqueo de la hoja o la pérdida de control.

### Accesorios

El rendimiento de la herramienta depende de los accesorios que utilice. Los accesorios Stanley Fat Max se han fabricado siguiendo estándares de alta calidad y se han diseñado para mejorar el funcionamiento de la herramienta. Si utiliza estos accesorios, obtendrá el máximo rendimiento de la herramienta.

### Mantenimiento

La herramienta se ha diseñado para que funcione durante un largo período de tiempo con un mantenimiento mínimo. El funcionamiento satisfactorio continuado depende de un cuidado apropiado y una limpieza periódica de la herramienta.

**¡Atención!** Antes de realizar cualquier tarea de mantenimiento, apague y desenchufe la herramienta.



- ◆ Limpie periódicamente las ranuras de ventilación de la herramienta y el cargador con un cepillo suave o un paño seco.
- ◆ Limpie periódicamente la carcasa del motor con un paño húmedo. No utilice limpiadores de base abrasiva o disolventes.

Puede consultar la dirección de su agente de servicio técnico más cercano si se pone en contacto con la oficina local de Stanley Europe en la dirección que se indica en este manual. Como alternativa puede consultar la lista de servicios técnicos autorizados de Stanley Europe y obtener la información completa de nuestros servicios de posventa y los contactos disponibles en la siguiente dirección de Internet: [www.2helpU.com](http://www.2helpU.com)

## Sustitución del enchufe de la red eléctrica (sólo para el Reino Unido e Irlanda)

Si es necesario colocar un nuevo enchufe para la red eléctrica:

- ◆ Deseche el enchufe anterior según las normas de seguridad.
- ◆ Conecte el cable marrón al terminal conductor del nuevo enchufe.
- ◆ Conecte el cable azul al terminal neutro.

**¡Atención!** No se debe realizar ninguna conexión al terminal de conexión a tierra. Siga las instrucciones de montaje que se suministran con los enchufes de buena calidad. Fusible recomendado: 13 A.

## Protección del medio ambiente



Recogida selectiva. No se debe desechar este producto con el resto de residuos domésticos.

Si llegase el momento en que fuese necesario sustituir su producto Stanley Fat Max o si este dejase de tener utilidad para usted, no lo deseche junto con los residuos domésticos. Sepárelo para su recogida selectiva.



La recogida selectiva de productos y embalajes usados permite el reciclaje de materiales y su reutilización.

La reutilización de materiales reciclados contribuye a evitar la contaminación medioambiental y reduce la demanda de materias primas.

Las normativas municipales deben ofrecer la recogida selectiva de productos eléctricos del hogar en puntos municipales previstos para tal fin o a través del distribuidor cuando adquiera un nuevo producto.

Stanley Europe proporciona facilidades para la recogida y reciclado de los productos Stanley Fat Max que han llegado al final de su vida útil. Para poder utilizar este servicio, le rogamos que entregue el producto a cualquier agente de servicio técnico autorizado para que se haga cargo de él en nuestro nombre.

## Ficha técnica

FME300 (Tipo 1)	
Voltaje de entrada	$V_{ac}$ 230
Potencia de entrada	W 1,600
Velocidad sin carga	$min^{-1}$ 5,000
Profundidad máxima de corte	mm 65
Profundidad máx. de corte en un bisel de 45°	mm 50
Diámetro de la hoja de sierra	mm 190
Diámetro interno de la hoja de sierra	mm 16
Ancho de la punta del disco	mm 2.3
Peso	kg 5.4

$L_{pA}$  (presión acústica) 94 dB(A), incertidumbre (K) 3 dB(A)

$L_{WA}$  (potencia acústica) 105 dB(A), incertidumbre (K) 3 dB(A)

Valores totales de vibración (suma vectorial triaxial) de acuerdo con la directiva EN 60745:

Corte de madera ( $a_{h, W}$ ) 4.8  $m/s^2$ , incertidumbre (K) 1.5  $m/s^2$

## Declaración de conformidad de la CE

DIRECTIVA DE MAQUINARIAS



FME300

Stanley Europe declara que los productos descritos en la "ficha técnica" cumplen con las siguientes directrices:

2006/42/CE, EN 60745-1, EN 60745-2-5

Estos productos también cumplen con las Directivas 2004/108/CE y 2011/65/UE. Si desea obtener más información, póngase en contacto con Stanley Europe a través de la siguiente dirección o consulte el dorso del manual.

La persona que firma a continuación es responsable de la elaboración del archivo técnico y realiza esta declaración en nombre de Stanley Europe.

Kevin Hewitt  
Vicepresidente de Ingeniería global  
Stanley Europe, Egide Walschaertsstraat 14-18,  
2800 Mechelen, Bélgica  
07/10/2013

## Garantía

Stanley Europe confía plenamente en la calidad de sus productos y ofrece una garantía extraordinaria destinada a usuarios profesionales del producto. Esta declaración de garantía es un añadido y en ningún caso un perjuicio a sus derechos legales como usuario no profesional privado. La garantía es válida dentro de los territorios de los Estados miembros de la Unión Europea y de los de la Zona Europea de Libre Comercio.

## UN AÑO DE GARANTÍA TOTAL

Si un producto Stanley Fat Max resultara defectuoso debido a materiales o mano de obra defectuosos, Stanley Europe garantiza, dentro de los 12 meses de la fecha de compra, la sustitución de las piezas defectuosas sin cargo alguno o, según nuestro criterio, la sustitución de la unidad sin cargo alguno siempre que:

- ◆ El producto no se ha sometido a un uso inadecuado y se ha utilizado de acuerdo con este manual de instrucciones.
- ◆ El producto haya sufrido un desgaste razonable.
- ◆ Personal no autorizado no ha intentado reparar el producto.
- ◆ Se aporta prueba de compra.
- ◆ Se devuelve el producto Stanley Fat Max completo con todos los componentes originales.

Si desea realizar una reclamación, póngase en contacto con su vendedor o consulte la dirección de su servicio técnico especializado autorizado de Stanley Fat Max más cercano que aparece en el catálogo de Stanley Fat Max o póngase en contacto con la oficina de Stanley en la dirección que se indica en este manual. Puede consultar la lista de servicios técnicos autorizados de Stanley Fat Max y obtener la información completa de nuestros servicios de posventa disponibles en la siguiente dirección de Internet: [www.stanley.eu/3](http://www.stanley.eu/3)

## Utilização prevista

A sua serra Stanley Fat Max foi concebida para serrar madeira e produtos de madeira. Esta ferramenta destina-se a utilização profissional bem como a utilizadores privados não profissionais.

## Instruções de segurança

### Avisos de segurança gerais para ferramentas eléctricas



**Aviso!** Leia com atenção todos os avisos de segurança e instruções. O não cumprimento dos seguintes avisos e instruções pode resultar em choque eléctrico, incêndio e/ou graves lesões.

**Guarde todos os avisos e instruções para futura referência.** A expressão "ferramenta eléctrica" utilizada a seguir refere-se a ferramentas eléctricas com ligação à corrente eléctrica (com cabo) ou com bateria (sem fios).

#### 1. Segurança na área de trabalho

- a. **Mantenha a área de trabalho limpa e bem iluminada.** Áreas desarrumadas ou mal iluminadas são propícias a acidentes.
- b. **Não trabalhe com ferramentas eléctricas em áreas com risco de explosão, nas quais se encontrem líquidos, gases ou poeiras inflamáveis.** As ferramentas eléctricas produzem faíscas que podem provocar a ignição de poeiras ou vapores.
- c. **Mantenha crianças e outras pessoas afastadas durante a utilização da ferramenta eléctrica.** Distracções podem provocar perda de controlo do aparelho.

#### 2. Segurança eléctrica

- a. **A ficha da ferramenta eléctrica deve caber na tomada. A ficha não deve ser modificada de modo algum. Não utilize quaisquer fichas adaptadoras em ferramentas eléctricas com ligação à terra.** Fichas sem modificações e tomadas adequadas reduzem o risco de choques eléctricos.
- b. **Evite que o corpo entre em contacto com superfícies ligadas à terra, como tubos, radiadores, fogões e frigoríficos.** Existe um risco elevado de choques eléctricos se o corpo estiver ligado à terra.
- c. **As ferramentas eléctricas não podem ser expostas a chuva nem humidade.** A penetração de água na ferramenta eléctrica aumenta o risco de choques eléctricos.

- d. **Manuseie o cabo com cuidado. O cabo não deve ser utilizado para transportar ou pendurar a ferramenta, nem para puxar a ficha da tomada. Mantenha o cabo afastado de calor, óleo, pontas afiadas ou partes móveis.** Cabos danificados ou torcidos aumentam o risco de choques eléctricos.
- e. **Quando trabalhar com uma ferramenta eléctrica ao ar livre, utilize um cabo de extensão apropriado para esse fim.** A utilização de um cabo apropriado para áreas ao ar livre reduz o risco de choques eléctricos.
- f. **Se for inevitável trabalhar com uma ferramenta eléctrica num local húmido, utilize um Dispositivo de Corrente Residual (RCD).** A utilização de um RCD reduz o risco de choque eléctrico.

#### 3. Segurança pessoal

- a. **Mantenha-se atento, observe o que está a fazer e seja prudente ao trabalhar com uma ferramenta eléctrica. Não utilize uma ferramenta eléctrica se estiver cansado ou sob a influência de drogas, álcool ou medicamentos.** Um momento de falta de atenção enquanto trabalha com ferramentas eléctricas poderá resultar em lesões graves.
- b. **Utilize equipamento de protecção pessoal. Utilize sempre óculos de protecção.** Equipamento de protecção como, por exemplo, máscara anti-poeiras, sapatos de segurança anti-derrapantes, capacete de segurança ou protecção auricular, de acordo com o tipo e a aplicação de ferramenta eléctrica, reduz o risco de lesões.
- c. **Evite arranques involuntários. Certifique-se de que o botão está desligado antes de ligar a ferramenta à corrente eléctrica e/ou a bateria, pegando ou transportando a ferramenta.** Transportar ferramentas eléctricas com o dedo no botão ou ligar ferramentas eléctricas à tomada com o interruptor na posição de ligado pode dar origem a acidentes.
- d. **Retire eventuais chaves de ajuste ou chaves inglesas antes de ligar a ferramenta eléctrica.** Uma chave fixa ou qualquer outra chave ligada a uma peça rotativa da ferramenta eléctrica pode provocar lesões.
- e. **Não se incline. Mantenha-se sempre bem posicionado e em equilíbrio.** Assim, controlará melhor a ferramenta eléctrica em situações imprevistas.
- f. **Utilize vestuário adequado. Não utilize roupas largas nem jóias. Mantenha o cabelo, roupa e luvas afastados de peças em movimento.** Roupas largas, jóias ou cabelo comprido podem ser apanhados por partes móveis.

- g. **Se for prevista a montagem de dispositivos de extracção e recolha de pó, assegure-se de que estão ligados e que são utilizados de forma correcta.** A recolha das poeiras pode reduzir os riscos provocados por poeiras.

4. **Utilização e manutenção da ferramenta eléctrica**

- a. **Não sobrecarregue a ferramenta eléctrica. Utilize a ferramenta eléctrica adequada para o trabalho pretendido.** A ferramenta eléctrica correcta realizará o trabalho de forma melhor e mais segura, com a potência com que foi concebida.
- b. **Não utilize a ferramenta eléctrica se o interruptor não puder ser ligado nem desligado.** Qualquer ferramenta eléctrica que não possa ser controlada com o interruptor é perigosa e terá de ser reparada.
- c. **Desligue a ficha da tomada e/ou a bateria da tomada antes de proceder a ajustes, trocar acessórios ou guardar ferramentas eléctricas.** Estas medidas de prevenção de segurança reduzem o risco de ligação inadvertida da ferramenta eléctrica.
- d. **Mantenha as ferramentas eléctricas que não estiverem a ser utilizadas fora do alcance de crianças. Não permita que a ferramenta eléctrica seja utilizada por pessoas não familiarizadas com a mesma ou que não tenham lido estas instruções.** As ferramentas eléctricas são perigosas quando utilizadas por pessoas não qualificadas.
- e. **Efectue a manutenção das ferramentas eléctricas. Verifique se as partes móveis estão desalinhasadas ou bloqueadas, se existem peças partidas ou qualquer outra situação que possa afectar o funcionamento das ferramentas eléctricas. As peças danificadas devem ser reparadas antes da utilização da ferramenta eléctrica.** Muitos acidentes são provocados por falta de manutenção das ferramentas eléctricas.
- f. **Mantenha as ferramentas de corte sempre afiadas e limpas.** Ferramentas de corte com a manutenção adequada e extremidades afiadas bloqueiam com menos frequência e são mais fáceis de controlar.
- g. **Utilize a ferramenta eléctrica, acessórios e peças de ferramenta de acordo com estas instruções, considerando as condições de trabalho e a tarefa a ser executada.** A utilização da ferramenta eléctrica para fins diferentes dos previstos pode resultar em situações perigosas.

5. **Reparação**


- a. **A sua ferramenta eléctrica só deve ser reparada por pessoal qualificado e só devem ser colocadas peças sobressalentes originais.** Isso garante a manutenção da segurança da ferramenta eléctrica.

**Avisos de segurança adicionais para ferramentas eléctricas**



**Aviso!** Instruções de segurança para todas as serras

**Procedimentos de corte**

- a.  **Mantenha as mãos afastadas da área de corte e da lâmina. Mantenha a outra mão no cabo auxiliar ou no compartimento do motor.** Se segurar a serra com ambas as mãos, estas não poderão ser cortadas pela lâmina.
- b. **Não toque na parte inferior da peça.** A protecção não pode protegê-lo da lâmina sob a peça.
- c. **Ajuste a profundidade de corte de acordo com a espessura da peça.** Sob a peça, deverá ser visível menos de um dente completo da lâmina.
- d. **Nunca segure a peça a ser cortada com as suas mãos ou sobre a sua perna. Fixe a peça numa plataforma estável.** É importante apoiar a peça adequadamente para minimizar a exposição do corpo, o bloqueio da lâmina ou a perda de controlo.
- e. **Segure a ferramenta eléctrica apenas pelas áreas isoladas quando executar uma operação onde a ferramenta de corte possa entrar em contacto com cablagem oculta ou o seu próprio cabo.** O contacto com um cabo "electrificado" irá igualmente expor peças metálicas do sistema "electrificado" da ferramenta e poderá provocar um choque eléctrico ao utilizador.
- f. **Ao efectuar cortes rectilíneos, utilize sempre um batente de corte ou uma guia de régua.** Aperfeiçoará a precisão de corte e reduzirá a possibilidade de bloqueio da lâmina.
- g. **Utilize sempre lâminas com o tamanho e a forma adequados (diamante versus circular) aos orifícios de encaixe.** As lâminas que não correspondam aos acessórios da serra irão funcionar irregularmente, provocando uma perda de controlo.
- h. **Nunca utilize um parafuso ou anilhas inadequadas ou danificadas.** As anilhas e o parafuso da lâmina foram concebidos especificamente para a sua serra, para um desempenho optimizado e segurança de operações.

**Mais instruções de segurança para todas as serras**

**Origem dos contra-golpes e avisos relacionados**

- ◆ Um contra-golpe é uma reacção súbita a uma lâmina de serra presa, bloqueada ou incorrectamente alinhada, fazendo com que a serra, descontrolada, se eleve da peça em direcção ao operador;

- ◆ quando a lâmina fica presa ou bloqueada no final do corte, a lâmina encrava e a reacção do motor faz com que a unidade se mova rapidamente em direcção ao operador;
- ◆ se a lâmina ficar deformada ou incorrectamente alinhada durante o corte, os dentes da extremidade traseira da lâmina poderão perfurar a superfície superior da madeira, fazendo com que a lâmina se eleve do corte e salte em direcção ao operador.

Um contra-golpe é o resultado de uma utilização errada da serra e/ou de procedimentos ou condições de utilização incorrectos, podendo ser evitado com medidas de precaução apropriadas, conforme descrito em seguida:

- a. **Segure firmemente a serra com ambas as mãos e posicione os seus braços de forma a resistir às forças de um contra-golpe. Posicione o seu corpo de um dos lados da lâmina, mas não alinhado com a mesma.** Um contra-golpe poderá fazer com que a serra salte para trás, mas as forças de um contra-golpe podem ser controladas pelo operador, se forem tomadas as medidas de precaução apropriadas.
- b. **Quando a lâmina se encontrar bloqueada ou aquando de uma interrupção do corte, por qualquer motivo, liberte o gatilho e segure a serra imóvel no material até que a lâmina pare completamente. Nunca tente remover a serra da peça ou puxar a serra para trás enquanto a lâmina se encontrar em movimento, caso contrário poderá ocorrer um contra-golpe.** Averigüe e tome as medidas necessárias para eliminar a causa do bloqueio da lâmina.
- c. **Antes de reiniciar a serra na peça, centre a respectiva lâmina no corte e verifique se os dentes da serra não se encontram encaixados no material.** Se a lâmina da serra se encontrar bloqueada, poderá elevar-se da peça ou ocorrer um contra-golpe quando a serra for reiniciada.
- d. **Apoie painéis grandes para minimizar o risco de prisão da lâmina e de contra-golpe.** Painéis grandes tendem a ceder com o seu próprio peso. Os apoios devem ser colocados sob ambos os lados do painel, junto à linha de corte e à extremidade do painel.
- e. **Não utilize lâminas embotadas ou danificadas.** Lâminas não afiadas ou instaladas incorrectamente criam um corte estreito, provocando fricção excessiva, bloqueio da lâmina e contra-golpe.
- f. **As alavancas de bloqueio de ajuste do bisel e da profundidade da lâmina devem ser apertadas e fixas antes de se efectuar um corte.** Se o ajuste da lâmina for alterado durante o corte, poderá provocar o respectivo bloqueio e um contra-golpe.
- a. **Tenha especial cuidado quando serrar em paredes existentes ou outras áreas ocultas.** A lâmina saliente poderá cortar objectos que poderão causar um contra-golpe.

## Função da protecção inferior

- a. **Verifique a protecção inferior relativamente ao respectivo fecho adequado antes de cada utilização. Não utilize a serra se a protecção inferior não se mover livremente e fechar imediatamente. Nunca fixe ou prenda a protecção inferior na posição de aberta.** Se a serra cair acidentalmente, a protecção inferior poderá ser deformada. Eleve a protecção inferior com o cabo recolhido e certifique-se de que a mesma se move livremente e não entra em contacto com a lâmina ou qualquer outra peça, em todos os ângulos e profundidades de corte.
- b. **Verifique o funcionamento da mola da protecção inferior. Se a protecção e a mola não se encaixarem a funcionar correctamente, deverão ser reparadas antes da utilização.** A protecção inferior poderá funcionar retardadamente devido a peças danificadas, resíduos pegajosos ou detritos aglomerados.
- c. **A protecção inferior poderá ser retraída manualmente apenas no caso de cortes especiais como "cortes por incisão" ou "cortes compostos".** Eleve a protecção inferior, retraindo o cabo e, assim que a lâmina penetrar no material, deve libertar a protecção inferior. Para quaisquer outros cortes, a protecção inferior deverá funcionar automaticamente.
- d. **Verifique sempre se a protecção inferior se encontra a cobrir a lâmina, antes de pousar a serra numa bancada ou no solo.** Uma lâmina não protegida e movida pela inércia irá fazer com que a serra se mova para trás, cortando tudo o que se encontrar no caminho. Tenha em atenção o tempo que a lâmina demora até parar depois de soltar o interruptor.

## Função da cunha de fenda

- a. **Utilize a lâmina da serra adequada para a cunha de fenda.** Para que a cunha de fenda funcione, o corpo da lâmina deve ser mais delgado do que a cunha de fenda e a largura de corte da lâmina deve ser maior do que a espessura da cunha de fenda.
- b. **Ajuste a cunha de fenda, conforme descrito neste manual de instruções.** O espaçamento, posicionamento e alinhamento incorrectos poderão impedir que a cunha de fenda evite eficazmente um contra-golpe.
- c. **Utilize sempre a cunha de fenda, excepto para cortes por incisão.** A cunha de fenda deve ser substituída após o corte por incisão. A cunha de fenda causa interferência durante o corte por incisão e pode provocar um contra-golpe.
- d. **Para que a mesma funcione, deverá encontrar-se encaixada na peça.** A cunha de fenda é ineficaz na prevenção de contra-golpes durante cortes curtos.

- e. **Não utilize a serra se a cunha de fenda se encontrar deformada.** Mesmo a mais pequena interferência poderá retardar o nível de fecho da protecção.

### Riscos residuais.

Podem surgir riscos residuais adicionais durante a utilização da ferramenta que poderão não constar nos avisos de segurança incluídos. Estes riscos podem resultar de má utilização, uso prolongado, etc.

Mesmo com a aplicação dos regulamentos de segurança relevantes e com a implementação de dispositivos de segurança, alguns riscos residuais não podem ser evitados. Incluem:

- ◆ ferimentos causados pelo contacto com peças em rotação/movimento.
- ◆ ferimentos causados durante a troca de peças, lâminas ou acessórios.
- ◆ ferimentos causados pela utilização prolongada de uma ferramenta. Quando utilizar uma ferramenta por períodos prolongados, faça intervalos regulares.
- ◆ Diminuição da audição.
- ◆ Problemas de saúde causados pela inalação de poeiras resultantes da utilização da ferramenta (exemplo: trabalhos em madeira, especialmente carvalho, faia e MDF).

### Lâminas de serra

- ◆ Não utilize lâminas com um diâmetro superior ou inferior ao recomendado. Para as especificações da lâmina adequada, consulte os dados técnicos. Utilize apenas as lâminas especificadas neste manual, em conformidade com a norma EN 847-1.
- ◆ **Aviso!** Nunca utilize rodas abrasivas.

### Segurança de terceiros

- ◆ Este aparelho não deve ser utilizado por pessoas (incluindo crianças) que apresentem capacidades físicas, sensoriais ou mentais reduzidas ou que não possuam os conhecimentos e a experiência necessários, excepto se forem vigiadas e instruídas acerca da utilização do aparelho por uma pessoa responsável pela sua segurança.
- ◆ As crianças deverão ser vigiadas para que não mexam no aparelho.

### Vibração

Os valores de emissão de vibração declarados na secção de dados técnicos e na declaração de conformidade foram medidos de acordo com o método de teste padrão fornecido pela norma EN 60745 e podem ser utilizados para comparar ferramentas. O valor de emissão de vibração declarado pode ainda ser utilizado numa avaliação preliminar de exposição.

**Atenção!** O valor de emissão de vibração durante a utilização real da ferramenta eléctrica pode ser diferente do valor declarado, dependendo da forma como a ferramenta é utilizada. O nível de vibração pode aumentar acima do nível indicado.

Quando avaliar a exposição da vibração para determinar as medidas de segurança exigidas pela norma 2002/44/CE para proteger pessoas que utilizem regularmente ferramentas eléctricas na sua actividade profissional, deve ser considerada uma estimativa de exposição de vibração, as actuais condições de utilização e o modo de utilização da ferramenta, incluindo ainda todas as partes do ciclo de funcionamento, como os períodos de inactividade e espera da ferramenta, para além do tempo de funcionamento.

### Rótulos na ferramenta

A ferramenta apresenta os seguintes símbolos:



**Atenção!** Para reduzir o risco de ferimentos, o utilizador deve ler o manual de instruções.

### Segurança eléctrica



Esta ferramenta tem um isolamento duplo e, por isso, não é necessário um fio de terra. Verifique sempre se a fonte de alimentação corresponde à tensão indicada na placa de especificações.

- ◆ Se o cabo de alimentação estiver danificado, terá de ser substituído pelo fabricante ou por um centro de assistência autorizado Stanley Fat Max para evitar acidentes.

### Componentes

Esta ferramenta inclui alguns ou todos os seguintes componentes.

1. Interruptor para Ligar/Desligar
2. Botão de desbloqueio
3. Cabo principal
4. Cabo secundário
5. Botão de bloqueio do eixo
6. Arrasto
7. Lâmina de serra
8. Protecção da lâmina da serra
9. Cunha de fenda
10. Saída de poeiras da serra

### Montagem

**Aviso!** Antes de tentar executar qualquer uma das operações que se seguem, certifique-se de que a ferramenta está desligada e a lâmina de serra está parada.

## Remover e montar uma lâmina de serra (fig. A)

### Remover

- ◆ Mantenha o botão de bloqueio do eixo (5) pressionado e rode a lâmina da serra até que o bloqueio do eixo encaixe.
- ◆ Desaperte e retire o parafuso de retenção da lâmina (11) rodando-o no sentido contrário ao dos ponteiros do relógio utilizando a chave-inglesa (12) fornecida.
- ◆ Remova a anilha exterior (13).
- ◆ Remova a lâmina da serra (7).

### Montagem

- ◆ Coloque a lâmina da serra na flange interior (14), certificando-se de que a seta na lâmina se encontra na mesma direcção da seta na ferramenta.
- ◆ Coloque a anilha exterior (13) no eixo, com a peça elevada a apontar para fora da lâmina da serra.
- ◆ Introduza o parafuso de retenção da lâmina da serra (11) no orifício.
- ◆ Mantenha pressionado o interruptor de bloqueio do eixo (5).
- ◆ Aperte firmemente o parafuso de retenção da lâmina da serra, rodando-o no sentido dos ponteiros do relógio utilizando a chave inglesa (12) fornecida.
- ◆ Ajuste a cunha de fenda, conforme descrito abaixo.

## Ajustar a cunha de fenda (fig. B)

A cunha de fenda evita que a lâmina da serra encrave durante as operações de corte. A cunha de fenda deve ser ajustada após a substituição da lâmina da serra.

- ◆ Desaperte os parafusos (15), utilizando a chave-inglesa (12), enquanto segura a cunha de fenda na respectiva posição.
- ◆ Posicione a cunha de fenda (9) conforme ilustrado.
- ◆ A distância entre o aro com dentes e a cunha de fenda deverá ser de 2 a 3 mm.
- ◆ A diferença de altura entre o aro com dentes e a extremidade inferior da cunha de fenda deverá ser de 2 a 3 mm.
- ◆ Aperte os parafusos.

## Montagem e remoção do batente paralelo (fig. C)

- ◆ O batente paralelo é utilizado para serrar numa linha recta paralela à extremidade da peça.

### Montagem

- ◆ Desaperte o interruptor de bloqueio (16).
- ◆ Introduza o batente paralelo (17) através das aberturas (18).
- ◆ Faça deslizar o batente paralelo para a posição pretendida.
- ◆ Aperte o interruptor de bloqueio.

### Remover

- ◆ Desaperte o interruptor de bloqueio.
- ◆ Puxe o batente paralelo da ferramenta.

### Utilização

**Aviso!** Deixe a ferramenta funcionar ao seu próprio ritmo. Não a sobrecarregue.

Esta ferramenta pode ser utilizada com a mão direita ou com a mão esquerda.

## Ajustar o ângulo de corte (fig. D)

- ◆ Utilize um esquadro para verificar se o ângulo entre a lâmina da serra e a base da mesma é de 90°. Se o ângulo não for de 90°, ajuste-o da seguinte forma:
  - ◆ Desaperte o interruptor de bloqueio (19) para desbloquear a base da serra.
  - ◆ Desaperte a contraporca (20) no parafuso de ajuste (21).
  - ◆ Aperte o parafuso de ajuste para dentro ou para fora até obter um ângulo de 90°.
  - ◆ Volte a apertar a contraporca.
  - ◆ Aperte o interruptor de bloqueio para bloquear a base da serra na respectiva posição.

## Ajustar a profundidade de corte (fig. E)

A profundidade de corte deverá ser definida de acordo com a espessura da peça. Deverá ser superior à espessura aproximadamente 2 mm.

- ◆ Desaperte o interruptor de bloqueio (22) para desbloquear a base da serra.
- ◆ Mova a base da serra (6) para a posição pretendida. A profundidade de corte correspondente pode ser lida a partir da escala (23).
- ◆ Aperte o interruptor para bloquear a base da serra na respectiva posição.

## Ajustar o ângulo do bisel (fig. F)

Os ângulos do bisel desta ferramenta podem ser definidos entre 0° e 45°.

- ◆ Desaperte o interruptor de bloqueio (19) para desbloquear a base da serra.
- ◆ Mova a base da serra (8) para a posição pretendida. O ângulo do bisel correspondente pode ser lido a partir da escala (24).
- ◆ Aperte o interruptor de bloqueio para bloquear a base da serra na respectiva posição.

## Ligar e desligar

- ◆ Para ligar a ferramenta, mova o botão de bloqueio (2) para a posição de desbloqueio e pressione o interruptor para ligar/desligar (1).
- ◆ Para desligar a ferramenta, solte o interruptor ligar/desligar.

## Serrar

Segure sempre a ferramenta com ambas as mãos.

- ◆ Deixe a lâmina a trabalhar livremente durante alguns segundos antes de começar a cortar.
- ◆ Exerça apenas uma ligeira pressão na ferramenta enquanto corta.
- ◆ Trabalhe com o arrasto pressionado contra a peça.

**Nota:** Tenha cuidado para não permitir que as pontas da lâmina sobreaqueçam.

## Utilizar a guia visual (fig. G)

A ferramenta está equipada com uma guia visual para o corte recto (25) e para o corte em bisel de 45° (26).

- ◆ Ajuste a guia visual, conforme descrito abaixo.
- ◆ Alinhe a extremidade esquerda das guias (25) ou (26) com a linha de corte (27).
- ◆ Mantenha a guia visual alinhada com a linha de corte, enquanto serra.
- ◆ Trabalhe com o arrasto pressionado contra a peça.

## Ajustar a guia visual

- ◆ Efectue um teste, cortando um pedaço de madeira ao meio.
- ◆ Retire a serra para que a linha de corte (27) fique visível.
- ◆ Enquanto mantém a serra nesta posição, desaperte a guia visual da base da serra, conforme ilustrado.
- ◆ Alinhe a marca 0° (25) na guia visual com a linha de corte (27). Aquando do ajuste para cortes em bisel de 45°, alinhe a marca 45° (26) na guia visual com a linha de corte.
- ◆ Fixe a guia visual com o parafuso (28).

## Extracção de poeiras

É necessário um adaptador para ligar um aspirador ou extractor de poeiras à ferramenta.

- ◆ Introduza o adaptador de extracção de poeiras na saída de poeiras da serra (10).
- ◆ Ligue o tubo do aspirador ao adaptador.

## Sugestões para uma utilização ideal

- ◆ Utilize sempre o tipo apropriado de lâmina de serra para o material e tipo de corte.
- ◆ Segure sempre a ferramenta com ambas as mãos.
- ◆ Deixe a lâmina a trabalhar livremente durante alguns segundos antes de começar a cortar.
- ◆ Exerça apenas uma ligeira pressão na ferramenta enquanto corta.
- ◆ Trabalhe com o arrasto pressionado contra a peça.
- ◆ Uma vez que não é possível evitar que a madeira lasque ao longo da linha de corte na parte superior da peça, corte apenas no lado em que tal é aceitável.

- ◆ Quando pretender minimizar a criação de lascas, por exemplo, para serrar laminados, fixe um fragmento de contraplacado na parte superior da peça.
- ◆ Apoie painéis grandes para minimizar o risco de prisão da lâmina e de contra-golpe. Painéis grandes tendem a ceder com o seu próprio peso.
- ◆ Os apoios devem ser colocados sob ambos os lados do painel, junto à linha de corte e à extremidade do painel a cortar.
- ◆ Nunca segure a peça a ser cortada com as suas mãos ou sobre a sua perna.
- ◆ Fixe a peça numa plataforma estável com grampos. É importante apoiar a peça adequadamente para minimizar a exposição do corpo, o bloqueio da lâmina ou a perda de controlo.

## Acessórios

O desempenho da ferramenta depende dos acessórios utilizados. Os acessórios Stanley Fat Max são construídos sob normas de alta qualidade e concebidos para melhorar o desempenho da ferramenta. Ao utilizar estes acessórios, obterá o melhor desempenho da sua ferramenta.

## Manutenção

A sua ferramenta foi concebida para funcionar por um longo período de tempo com uma manutenção mínima. Um funcionamento contínuo e satisfatório depende de uma manutenção adequada e da limpeza regular da ferramenta.

**Atenção!** Antes de proceder a qualquer acção de manutenção, desligue a ferramenta e retire a ficha da tomada.

- ◆ Limpe regularmente as saídas de ventilação da ferramenta e o carregador com uma escova suave ou um pano seco.
- ◆ Limpe regularmente o compartimento do motor com um pano húmido. Não utilize produtos de limpeza abrasivos ou à base de solventes.

## Substituição da ficha de alimentação (apenas Reino Unido e Irlanda)

Se for necessário montar uma nova ficha de alimentação:

- ◆ Elimine com segurança a ficha antiga.
- ◆ Ligue o cabo castanho ao terminal electrificado na nova ficha.
- ◆ Ligue o cabo azul ao terminal neutro.

**Atenção!** Não é necessário efectuar qualquer ligação ao terminal de terra. Siga as instruções de montagem fornecidas com fichas de boa qualidade. Fusível recomendado: 13 A.

## Protecção do ambiente



Recolha separada. Este produto não pode ser eliminado juntamente com os resíduos domésticos normais.



Se, em algum momento, for necessário substituir este produto Stanley Fat Max ou se este deixar de ter utilidade, não elimine o produto num caixote do lixo. Este produto pode ser separado para reciclagem.



A recolha separada de produtos e embalagens usados permite que os materiais sejam reciclados e reutilizados.

A reutilização de materiais reciclados ajuda a evitar a poluição ambiental e reduz a procura de matérias-primas.

A legislação local poderá prever a recolha separada de produtos domésticos eléctricos, seja em lixeiras municipais ou através do revendedor quando adquire um produto novo.

A Stanley Europe dispõe de instalações para recolha e reciclagem de produtos Stanley Fat Max quando estes atingem o fim da vida útil. Para usufruir deste serviço, devolva o produto em qualquer agente de reparação autorizado, que os recolherá em seu nome.

Pode verificar a localização do agente de reparação autorizado mais perto de si, contactando os escritórios locais da Stanley Europe através do endereço indicado neste manual. Se preferir, pode encontrar na Internet uma lista de agentes de manutenção autorizados Stanley Europe, detalhes completos e contactos do serviço pós-venda, no endereço: [www.2helpU.com](http://www.2helpU.com)

### Dados técnicos

FME300 (Tipo 1)	
Tensão de entrada	$V_{ac}$ 230
Potência utilizada	W 1,600
Velocidade sem carga	$min^{-1}$ 5,000
Profundidade máxima de corte	mm 65
Profundidade máxima de corte com um bisel de 45°	mm 50
Diâmetro da lâmina	mm 190
Orifício da lâmina	mm 16
Largura da ponta da lâmina	mm 2.3
Peso	kg 5,4

$L_{pA}$ (pressão acústica) 94 dB(A), Imprecisão (K) 3 dB(A)
$L_{WA}$ (potência acústica) 105 dB(A), Imprecisão (K) 3 dB(A)
Valores totais de vibração (soma de vectores triax) de acordo com EN 60745:
Cortar madeira ( $a_{h,W}$ ) 4.8 $m/s^2$ , imprecisão (K) 1.5 $m/s^2$

### Declaração de conformidade CE

DIRECTIVA PARA MÁQUINAS



FME300

A Stanley Europe declara que os produtos descritos em "dados técnicos" estão em conformidade com as seguintes normas:

2006/42/CE, EN 60745-1, EN 60745-2-5

Estes produtos estão também em conformidade com a Directiva 2004/108/CE e 2011/65/UE. Para obter mais informações, contacte a Stanley Europe no endereço indicado ou consulte a parte posterior do manual.

O signatário é responsável pela compilação do ficheiro técnico e efectua esta declaração em nome da Stanley Europe.

Kevin Hewitt  
Vice-Presidente, Engenharia Global  
Stanley Europe, Egide Walschaertsstraat14-18,  
2800 Mechelen, Bélgica  
07/10/2013

## Garantia

A Stanley Europe confia na qualidade dos seus produtos e oferece uma garantia excelente a utilizadores profissionais do produto. Esta declaração de garantia é um complemento dos seus direitos contratuais como utilizador privado não profissional, não os prejudicando de forma alguma. A garantia é válida nos territórios dos Estados Membros da União Europeia e da Associação Europeia de Comércio Livre.

### GARANTIA TOTAL DE UM ANO

Se o seu produto Stanley Fat Max avariar devido a defeitos de material ou fabrico, num período de 12 meses após a data da compra, a Stanley Europe garante a substituição das peças defeituosas sem qualquer encargo ou – se assim o entendermos – a substituição da unidade sem encargos, desde que:

- ◆ O produto não tenha sido alvo de utilização indevida e tenha sido utilizado em conformidade com o manual de instruções.
- ◆ O produto tenha sido sujeito a um desgaste aceitável;
- ◆ Não tenham sido tentadas reparações por pessoas não autorizadas;
- ◆ Seja apresentada prova de compra.
- ◆ O produto Stanley Fat Max seja devolvido com todos os componentes originais

Se pretender fazer uma reclamação, contacte o seu vendedor ou verifique a localização do agente de manutenção autorizado Stanley Fat Max mais perto de si no catálogo Stanley Fat Max ou contacte os escritórios locais da Stanley no endereço indicado neste manual. Pode encontrar na Internet uma lista de agentes de manutenção autorizados Stanley Fat Max e detalhes completos do serviço pós-venda, no endereço: [www.stanley.eu/3](http://www.stanley.eu/3)

## Användningsområde

Den här Stanley Fat Max-sågen är avsedd för sågning av trä och träprodukter. Verktøget är avsett för yrkesanvändare och privatkonsumenter.

## Säkerhetsföreskrifter

### Allmänna säkerhetsanvisningar för elverktøy



**Varning!** Läs alla säkerhetsanvisningar och alla anvisningar. Fel som uppstår till följd av att säkerhetsanvisningarna och anvisningarna nedan inte följts kan orsaka elstöt, brand och/eller allvarliga kroppsskador.

**Spara alla säkerhetsanvisningar och anvisningar för framtida bruk.** Begreppet "elverktøy" nedan syftar på nätdrivna elverktøy (med nätsladd) och batteridrivna elverktøy (sladdlösa).

#### 1. Säkerhet i arbetsområdet

- Håll arbetsområdet rent och väl upplyst.** Oordning och dålig belysning på arbetsplatsen kan leda till olyckor.
- För att undvika explosionsrisk bör du inte använda elverktøyet i omgivelningar med brännbara vätskor, gaser eller damm.** Elverktøy alstrar gnistor som kan antända dammet eller gaserna.
- Håll barn och andra personer på betryggande avstånd när du använder elverktøy.** Om du störs kan du förlora kontrollen.

#### 2. Elsäkerhet

- Elverktøyet stickkontakt måste passa i eluttaget.** Stickkontakten får absolut inte ändras. Använd inte adapterkontakter tillsammans med jordade elverktøy. Med oförändrade stickkontakter och passande vägguttag minskas risken för elstöt.
- Undvik kroppskontakt med jordade ytor som t.ex. rör, värmeelement, spisar och kylskåp.** Det finns en större risk för elstöt om din kropp är jordad.
- Skydda elverktøyet mot regn och väta.** Om vatten tränger in i ett elverktøy ökar risken för elektriska stötter.
- Hantera inte nätsladden ovarsamt.** Använd inte sladden för att bära eller dra elverktøyet och inte heller för att dra ut kontakten ur vägguttaget. Håll nätsladden borta från värme, olja, skarpa kanter och rörliga maskindelar. Risken att du får en elstöt är större om sladdarna är skadade eller tilltrasslade.
- Använd endast förlängningssladdar som är godkända för utomhusbruk när du arbetar med elverktøy utomhus.** Om du använder en förlängningssladd som är avsedd för utomhusbruk minskar risken för att du ska få en elstöt.

- Om du måste använda ett elverktøy på en fuktig plats ska du använda jordfelsbrytare.** Jordfelsbrytaren minskar risken för stöt.

#### 3. Personlig säkerhet

- Var uppmärksam, se på vad du gör och använd elverktøyet med förnuft.** Använd inte elverktøyet när du är trött eller om du är påverkad av droger, alkohol eller mediciner. Under användning av elverktøy kan även en kort uppmärksamhet leda till allvarliga kroppsskador.
- Använd skyddsutrustning. Bär alltid skyddsglasögon.** Den personliga skyddsutrustningen, t.ex. dammfiltermask, halkfria säkerhetsskor, hjälm och hörselskydd, minskar risken för kroppsskada när den används vid rätt tillfällen.
- Undvik oavsiktlig igångsättning. Kontrollera att strömbrytaren står i avstängt läge innan du ansluter verktøyet till elnätet eller sätter i batteriet samt innan du tar upp eller bär verktøyet.** Det kan vara mycket farligt att bära ett elverktøy med fingret på strömbrytaren eller koppla det till nätet respektive sätta i batteriet med strömbrytaren i till-läge.
- Ta bort alla inställningsverktøy och skruvnycklar innan du startar elverktøyet.** Ett verktøy eller en nyckel i en roterande komponent kan medföra kroppsskada.
- Sträck dig inte för långt. Se till att du alltid har säkert fotfäste och balans.** På så sätt kan du lättare kontrollera elverktøyet i oväntade situationer.
- Bär lämpliga kläder. Bär inte löst hängande kläder eller smycken.** Håll undan hår, kläder och handskar från rörliga delar. Löst hängande kläder, smycken och långt hår kan dras in av roterande delar.
- Om elverktøyet har utrustning för dammsugning och -uppsamling ska du kontrollera att utrustningen är rätt monterad och används på korrekt sätt.** Utrustningen kan minska riskerna när damm bildas.

#### 4. Bruk och skötsel av elverktøy

- Överbelasta inte elverktøyet.** Använd rätt elverktøy för det aktuella arbetet. Med rätt elverktøy kan du arbeta bättre och säkrare med det som verktøyet är avsett för.
- Använd inte elverktøyet om det inte går att starta och stänga av det med strömbrytaren.** Ett elverktøy som inte kan startas och stängas av med strömbrytaren är farligt och måste repareras.
- Dra ut stickproppen ur vägguttaget och/eller ta ut batteriet ur elverktøyet innan inställningar utförs, tillbehör byts eller elverktøyet ställs undan.** Denna säkerhetsåtgärd förhindrar oavsiktlig start av elverktøyet.
- Förvara elverktøy utom räckhåll för barn. Låt inte elverktøyet användas av personer som inte är vana vid det, eller som inte läst denna bruksanvisning.** Elverktøy är farliga om de används av oerfarna personer.

- e. Sköt elverktuget omsorgsfullt. Kontrollera att rörliga komponenter fungerar felfritt och inte kärvar, att komponenter inte gått sönder eller skadats och inget annat föreligger som kan påverka elverktugets funktion. Om elverktuget är skadat ska du se till att få det reparerat innan det används. Många olyckor orsakas av dåligt skötta elverktyg.
- f. Håll skärverktyg vassa och rena. Omsorgsfullt skötta skärverktyg med skarp egg fastnar inte så lätt och går lättare att styra.
- g. Använd elverktuget, tillbehör, insatsverktyg osv. enligt dessa anvisningar och på sätt som föreskrivits för aktuell verktygsmodell. Ta hänsyn till arbetsvillkoren och arbetsmomenten. Om elverktuget används på icke ändamålsenligt sätt kan farliga situationer uppstå.

## 5. Service


- a. Elverktuget ska bara repareras av utbildade reparatörer och med originalreservdelar. Detta säkerställer att elverktuget förblir säkert.

## Ytterligare säkerhetsanvisningar för elverktyg



**Varning!** Säkerhetsinstruktioner för alla sågar

## Sågningsprocedurer

- a.  Håll händerna borta från sågområdet och sågbladet. Håll din lediga hand på extrahandtaget eller motorhuset. Genom att hålla i sågen med båda händerna undviker du att skära dig på sågbladet.
- b. **Stick inte in händerna under arbetsstycket.** Skyddet kan inte skydda handen mot sågbladet under arbetsstycket.
- c. **Anpassa skärdjupet efter arbetsstyckets tjocklek.** Den synliga delen av en sågbladstand under arbetsstycket måste vara mindre än en hel tand.
- d. **Håll aldrig arbetsstycket i händerna eller över benen. Placera arbetsstycket på ett stabilt underlag.** Det är viktigt att arbetsstycket hålls fast ordentligt. Då minskar risken för att sågen kommer i kontakt med kroppen, att bladet fastnar eller att man tappar kontrollen över sågen.
- e. **Håll alltid verktyget i de isolerade greppytorna vid arbete där sågen riskerar att komma i kontakt med dolda elledningar eller med sin egen nätsladd.** Om du fräser igenom en strömförande ledning kommer verktygets metalldelar också att bli strömförande och du kan få en elektrisk stöt.
- f. **Använd alltid ett anhåll eller ett skydd med raka kanter när du klyvsågar.** Detta möjliggör mer noggrann sågning och minskar risken för att sågbladet fastnar.

- g. **Använd alltid sågblad med rätt storlek och med lämpligt infästningshål (diamantformat eller runt).** Sågblad som inte passar ihop med sågen kommer att rotera excentriskt, vilket leder till att man tappar kontrollen över sågen.
- h. **Använd aldrig skadade eller felaktiga underläggsbrickor eller bultar för sågbladet.** Brickorna och bultarna har utformats speciellt för den här sågen och säkerställer optimal prestanda och säker användning.

## Ytterligare säkerhetsinstruktioner för alla sågar

### Kastorsaker och tillhörande varningar

- ◆ om ett sågblad kläms fast, kärvar eller sitter snett kan ett plötsligt bakkast inträffa. Sågen lyfts då upp ur arbetsstycket och kastas mot användaren;
- ◆ om bladet kläms fast eller på annat sätt fastnar i sågspåret där det går ihop upphör bladet att snurra och motorkraften gör att sågen kastas bakåt i riktning mot användaren;
- ◆ om bladet vrids eller hamnar snett i sågspåret kan tänderna på bladets bakkant gräva sig ner genom trästyckets ytskikt så att bladet går ur spåret och slungas bakåt mot användaren.

Bakkast uppstår till följd av felaktig användning och/eller hantering av sågen. Detta kan undvikas genom de skyddsåtgärder som beskrivs nedan:

- a. **Håll sågen ordentligt med båda händerna och placera armarna så att du håller emot de krafter som kastar sågen bakåt. Stå vid sidan av bladet, inte framför det.** Bakkast kan få sågen att hoppa bakåt, men de krafter som frigörs vid ett bakkast kan hanteras av användaren om lämpliga skyddsåtgärder har vidtagits.
- b. **Om bladet fastnar, eller om sågningen upphör av någon anledning, ska du släppa strömbrytaren och hålla sågen still i arbetsstycket tills bladet helt slutar att snurra. Försök aldrig att avlägsna sågen från arbetsstycket eller dra den bakåt medan bladet snurrar, eftersom detta kan leda till bakkast.** Ta reda på varför bladet fastnar och åtgärda felet.
- c. **Om du startar om sågen när bladet befinner sig i arbetsstycket ska du centrera sågbladet i snittet och kontrollera att inga sågtänder sitter fast i materialet.** Om bladet fastnar kan det klättra uppåt eller kastas ut från arbetsstycket när sågen startas igen.
- d. **Stöd stora arbetsstycken för att minimera risken för att bladet kläms fast och att sågen kastas bakåt.** Stora arbetsstycken böjs ofta av sin egen vikt. Placera stöd under arbetsstycket på båda sidorna, ett nära sågspåret och ett vid styckets kant.

- e. **Använd inte slöa eller skadade blad.** Slöa eller felaktigt monterade blad genererar smala sågspår, vilket leder till att friktionen ökar, bladet fastnar eller att sågen kastas bakåt.
- f. **Låsspakarna för sågdjup och vinkelinställning måste vara hårt åtdragna och sitta ordentligt fast innan man börjar såga.** Om bladinställningarna ändras medan du sågar kan bladet fastna eller sågen kastas bakåt.
- a. **Var extra försiktig vid sågning i befintliga väggar eller andra dolda områden.** Bladet kan skära in i föremål på andra sidan, vilket kan leda till att sågen kastas bakåt.

### Undre skyddets funktion

- a. **Kontrollera att det undre skyddet stänger ordentligt innan du använder sågen. Använd inte sågen om det undre skyddet inte kan röra sig fritt och inte stängs omedelbart. Du ska aldrig klämma eller binda fast det undre skyddet i öppet läge.** Om du tappar sågen av misstag kan det undre skyddet böjas. Lyft det undre skyddet via draghandtaget och kontrollera att det kan röra sig fritt och inte vidrör bladet eller någon annan del i någon riktning eller vid något skärdjup.
- b. **Kontrollera att fjädern på det undre skyddet fungerar som den ska. Om skyddet och fjädern inte fungerar som de ska måste de repareras innan sågen används.** Det undre skyddet kanske inte fungerar som det ska om några delar är skadade eller om gummi eller restmaterial har anhopats.
- c. **Det undre skyddet får endast öppnas manuellt vid särskilda typer av sågning, t.ex. "instickssägning" och "kombinerad sågning".** Öppna det undre skyddet genom att dra i handtaget och släpp upp det när bladet skär in i materialet. Vid all annan sågning ska det undre skyddet fungera automatiskt.
- d. **Kontrollera alltid att det undre skyddet täcker bladet innan du sätter ned sågen på en bänk eller på golvet.** Om sågen är avstängd och bladet fortfarande snurrar och är oskyddat kommer sågen att vandra bakåt och skära in i allt som kommer i dess väg. Tänk på att det tar ett tag innan bladet slutar snurra när du har släppt brytaren.

### Klyvknivens funktion

- a. **Välj rätt sågblad för klyvkniven.** För att klyvkniven ska fungera måste bladet vara tunnare än klyvkniven och bladets skärbredd måste vara bredare än klyvknivens tjocklek.
- b. **Justera klyvkniven enligt beskrivningen i den här bruksanvisningen.** Vid fel avstånd, placering eller justering kanske inte klyvkniven kan förhindra bakkast.
- c. **Använd alltid klyvkniven, förutom vid instickssägning.** Efter instickssägning ska klyvkniven sättas tillbaka. Om klyvkniven används vid instickssägning kan den komma i vägen och orsaka bakkast.

- d. **För att klyvkniven ska fungera måste den sitta i arbetsstycket.** Klyvkniven kan inte förhindra bakkast vid korta snitt.
- e. **Använd inte sågen om klyvkniven är böjd.** Minsta lilla störning kan leda till att skyddet stängs långsammare.

### Övriga risker.

Ytterligare risker som inte finns med i de bifogade säkerhetsanvisningarna kan uppstå när verktyget används. Dessa risker kan uppstå vid felaktig användning, långvarig användning, o.s.v.

Även om alla relevanta säkerhetsanvisningar följs och säkerhetsanordningar används kan vissa ytterligare risker inte undvikas. Dessa innefattar:

- ◆ Skador orsakade av att roterande/rörliga delar vidrörs.
- ◆ Skador som uppstår vid byte av delar, blad eller tillbehör.
- ◆ Skador som orsakas av långvarig användning av ett verktyg. Se till att ta regelbundna raster när du använder ett verktyg under en längre period.
- ◆ Skador på hörseln.
- ◆ Hälsorisker orsakade av inandning av damm när verktyget används (exempel: arbete med trä, särskilt ek, bok och MDF).

### Sågklingor

- ◆ Använd inte klingor med större eller mindre diameter än den som rekommenderas. Se avsnittet Tekniska data för information om korrekta klingmått. Använd endast de klingor som anges i denna bruksanvisning och som följer EN 847-1.
- ◆ **Varning!** Använd aldrig sliphjul.

### Säkerhet för andra

- ◆ Redskapet bör inte användas av personer (inklusive barn) med nedsatt fysisk eller psykisk förmåga eller bristande erfarenhet och kunskap, om de inte får vägledning och övervakas av en person som ansvarar för deras säkerhet.
- ◆ Barn ska hållas under uppsikt så att de inte leker med apparaten.

### Vibrationer

De vibrationsvärden som anges i avsnittet Tekniska data och EG-deklarationen om överensstämmelse har uppmätts i enlighet med en standardtestmetod föreskriven i EN 60745 och kan användas för jämförelse med andra verktyg. Det angivna vibrationsvärdet kan även användas för en preliminär bedömning av exponeringen.

**Varning!** Vibrationsvärdet under faktisk användning av elverktyget kan skilja sig från det uppgivna värdet beroende på hur verktyget används. Vibrationsnivån kan överstiga den uppgivna nivån.

Vid uppskattning av vibrationsexponering i syfte att bedöma vilka säkerhetsåtgärder som är nödvändiga enligt 2002/44/EG för att skydda personer som regelbundet använder elverktyg i arbetet ska man utgå från de faktiska omständigheter under vilka elverktyget används och sättet på vilket det används. Bedömningen ska även ta hänsyn till alla moment i arbetsscykeln, t.ex. när verktyget är avstängt och när det går på tomgång såväl som när det faktiskt används.

## Etiketter på verktyget

Följande symboler finns på verktyget:



**Varning!** Läs bruksanvisningen före användning för att minska risken för olyckor.

## Elsäkerhet



Eftersom verktyget är dubbelisolerat behövs ingen jordledare. Kontrollera alltid att nätspänningens överensstämmer med värdet på typskylten.

- ◆ Om nätsladden är skadad måste den bytas ut av tillverkaren eller en auktoriserad Stanley Fat Max-verkstad för att farliga situationer ska undvikas.

## Funktioner

Det här verktyget har några eller samtliga av följande funktioner:

1. Strömbrytare
2. Låsknapp
3. Huvudhandtag
4. Extrahandtag
5. Spindellåsknapp
6. Sågsko
7. Sågklinga
8. Klingskydd
9. Klyvkniv
10. Spånutkast

## Montering

**Varning!** Innan du gör något av nedanstående ska du kontrollera att verktyget är avstängt, att sågbladet är orörligt och att sladden inte sitter i.

### Montera och ta bort ett sågblad (fig. A)

#### Borttagning

- ◆ Håll spindellåsknappen (5) intryckt och rotera bladet tills spindellåset aktiveras.

- ◆ Lossa på och ta bort skruven som håller fast sågbladet (11) genom att vrida den moturs med hjälp av skruvnyckeln (12) som medföljer.
- ◆ Ta bort den yttre brickan (13).
- ◆ Ta bort sågbladet (7).

#### Montering

- ◆ Sätt sågbladet på den inre flänsen (14) och se till så att pilen på bladet pekar i samma riktning som pilen på verktyget.
- ◆ Trä på den yttre brickan (13) på spindeln med den upphöjda delen vänd bort från sågbladet.
- ◆ Sätt skruven (11) som håller fast bladet i hålet.
- ◆ Håll spindellåsknappen (5) intryckt.
- ◆ Dra åt skruven som håller fast bladet ordentligt genom att vrida den medurs med hjälp av skruvnyckeln (12) som medföljer.
- ◆ Justera klyvkniven enligt anvisningarna nedan.

### Justera klyvkniven (fig. B)

Klyvkniven hindrar sågbladet från att fastna vid klyvsågning. Klyvkniven måste justeras när sågbladet har bytts.

- ◆ Lossa på skruvarna (15) med skiftnyckeln (12) samtidigt som du håller klyvkniven i rätt läge.
- ◆ Sätt klyvkniven (9) enligt bilden.
- ◆ Avståndet mellan den tandade kanten och klyvkniven ska vara 2–3 mm.
- ◆ Höjdskillnaden mellan den tandade kanten och klyvknivens nedre del ska vara 2–3 mm.
- ◆ Dra åt skruvarna.

### Montera och ta bort parallellanslaget (fig. C)

- ◆ Parallellanslaget används för att såga i en rak linje parallellt med arbetsstyckets kant.

#### Montering

- ◆ Lossa på låsvredet (16).
- ◆ Stick in parallellanslaget (17) genom öppningarna (18).
- ◆ Skjut parallellanslaget till önskat läge.
- ◆ Dra åt låsvredet.

#### Borttagning

- ◆ Lossa på låsvredet.
- ◆ Dra bort parallellanslaget från verktyget.

## Användning

**Varning!** Låt verktyget arbeta i sin egen takt. Överbelasta inte verktyget.

Verktyget kan hållas med antingen höger eller vänster hand.

### Justera sågvinkeln (bild D)

- ◆ Använd en vinkelhake för att kontrollera att vinkeln mellan sågbladet och sågplattan är 90°. Om vinkeln inte är 90° justerar du den på följande sätt:
  - ◆ Lossa på låsvredet (19) för att lossa på sågplattan.
  - ◆ Lossa på låsmuttern (20) på justeringsskruven (21).
  - ◆ Skruva justeringsskruven inåt eller utåt tills vinkeln är 90°.
  - ◆ Dra åt låsmuttern igen.
  - ◆ Lås fast sågplattan genom att dra åt låsvredet.

### Justera skärdjupet (fig. E)

Skärdjupet ska anpassas efter tjockleken på arbetsstycket. Skärdjupet ska vara cirka 2 mm större än tjockleken.

- ◆ Lossa på låsvredet (22) för att lossa på sågplattan.
- ◆ Flytta sågplattan (6) till önskat läge. Motsvarande skärdjup kan avläsas på skalan (23).
- ◆ Dra åt vredet för att låsa sågplattan i rätt läge.

### Justera fasvinkeln (fig. F)

Det här verktyget kan ställas in på fasvinklar mellan 0° och 45°.

- ◆ Lossa på låsvredet (19) för att lossa på sågplattan.
- ◆ Flytta sågplattan (8) till önskat läge. Motsvarande fasvinkel kan avläsas på skalan (24).
- ◆ Lås fast sågplattan genom att dra åt låsvredet.

### Slå på och av

- ◆ Starta verktyget genom att trycka på låsknappen (2) till olåst läge och trycka på strömbrytaren (1).
- ◆ Stäng av verktyget genom att släppa upp strömbrytaren.

### Sågning

Håll alltid i verktyget med båda händerna.

- ◆ Låt sågbladet gå i några sekunder innan du börjar såga.
- ◆ Tryck bara försiktigt på sågen medan du sågar.
- ◆ Tryck sågskon mot arbetsstycket när du arbetar.

**Obs!** Se till att bladspetsarna inte överhettas.

### Använda sågmarkeringsdelen (fig. G)

Verktyget har sågmarkeringar för rätvinklig sågning (25) och för fasvinkelsågning i 45° (26).

- ◆ Justera sågmarkeringsdelen enligt anvisningarna nedan.
- ◆ Justera sågmarkeringsdelen så att vänstra sidan av markering (25) eller (26) är i linje med skärlinjen (27).
- ◆ Se till så att markeringen överensstämmer med skärlinjen medan du sågar.
- ◆ Tryck sågskon mot arbetsstycket när du arbetar.

### Justera sågmarkeringsdelen

- ◆ Testsåga ett snitt halvvägs igenom en träbit.
- ◆ Dra undan sågen så att skärlinjen (27) blir synlig.

- ◆ Håll kvar sågen i detta läge och lossa sågmarkeringsdelen på sågplattan enligt bilden.
- ◆ Se till så att markeringen 0° (25) på sågmarkeringsdelen överensstämmer med skärlinjen (27). När du justerar sågmarkeringsdelen för fasvinkelsågning i 45° ska markeringen 45° (26) på sågmarkeringsdelen överensstämma med skärlinjen.
- ◆ Fäst sågmarkeringsdelen med skruven (28).

### Dammuppsugning

För att ansluta en dammsugare till verktyget krävs en adapter.

- ◆ Sätt i adaptern för dammuppsugning i spånutkastet (10).
- ◆ Anslut dammsugarlangan till adaptern.

### Tips för optimal användning

- ◆ Använd alltid särskilda sågblad som är anpassade för det material du ska såga i och för hur du ska såga.
- ◆ Håll alltid i verktyget med båda händerna.
- ◆ Låt sågbladet gå i några sekunder innan du börjar såga.
- ◆ Tryck bara försiktigt på sågen medan du sågar.
- ◆ Tryck sågskon mot arbetsstycket när du arbetar.
- ◆ Eftersom det inte helt går att undvika flisbildning i skärlinjen på arbetsstyckets ovansida ska du såga på den sida där eventuell flisbildning gör minst skada.
- ◆ Om man vill minimera flisbildningen, t.ex. när man sågar i laminat, kan man klämma fast en plywood-bit ovanpå arbetsstycket.
- ◆ Stora arbetsstycken bör ha stöd för att minimera risken för att bladet kläms fast och att sågen kastas bakåt. Stora arbetsstycken böjs ofta av sin egen vikt.
- ◆ Placera stöd under arbetsstycket på båda sidorna, ett nära sågspåret och ett vid kanten på sågstycket.
- ◆ Håll aldrig arbetsstycket i händerna eller över benen.
- ◆ Placera arbetsstycket på ett stabilt underlag med kläm-mor. Det är viktigt att arbetsstycket hålls fast ordentligt. Då minskar risken för att sågen kommer i kontakt med kroppen, att bladet fastnar eller att man tappar kontrollen över sågen.

### Tillbehör

Verktygets prestanda beror på vilka tillbehör du använder. Stanley Fat Max-tillbehören är av hög kvalitet och konstruerade för att fungera optimalt med verktyget. Med dessa tillbehör får du ut mesta möjliga av verktyget.

### Underhåll

Detta verktyg har tillverkats för att fungera under lång tid med ett minimum av underhåll. Med rätt underhåll och regelbunden rengöring behåller verktyget sina prestanda.

**Varning!** Innan något underhåll utförs måste verktyget stängas av och sladden dras ur vägguttaget.

- ◆ Rengör regelbundet verktygets luftintag och laddaren med en mjuk borste eller torr trasa.

- ◆ Rengör kåpan regelbundet med en fuktig trasa. Använd aldrig rengöringsmedel med lösnings- eller slipmedel.

## Byte av nätkontakt (endast Storbritannien och Irland)

Byt kontakten på följande sätt:

- ◆ Gör dig av med den gamla kontakten på lämpligt sätt.
- ◆ Anslut den bruna ledningen till den strömförande anslutningen i den nya kontakten.
- ◆ Anslut den blå ledningen till den icke strömförande anslutningen.

**Varning!** Anslut inte till jordanslutningen. Följ monteringsanvisningarna som medföljer kontakter av god kvalitet. Rekommenderad säkring: 13 A.

## Miljö



Separat insamling. Produkten får inte kastas i hushållssoporna.

Tänk på miljön när du slänger denna Stanley Fat Max-produkt. Släng den inte tillsammans med hushållsavfallet. Lämna produkten för separat insamling.



Insamling av uttjänta produkter och förpackningsmaterial gör att material kan återanvändas. Användning av återvunnet material minskar föroreningar av miljön och behovet av råmaterial.

Lokala föreskrifter kan kräva separat insamling av elprodukter från hushållen, vid kommunala samlingsplatser eller hos återförsäljaren när du köper en ny produkt.

Stanley Europe samlar in och återvinner uttjänta Stanley Fat Max-produkter. Om du vill utnyttja denna tjänst återlämnar du produkten till en auktoriserad verkstad, som samlar in den för vår räkning.

För information om närmaste auktoriserade verkstad, kontakta det lokala Stanley Europe-kontoret på den adress som är angiven i bruksanvisningen. En lista över alla auktoriserade Stanley Europe-verkstäder samt servicevillkor finns på Internet: [www.2helpU.com](http://www.2helpU.com)

## Tekniska data

FME300 (Typ 1)	
Inspänning	$V_{ac}$ 230
Ineffekt	W 1,600
Tomgångshastighet	$min^{-1}$ 5,000
Maximalt sågningsdjup	mm 65
Maximalt sågningsdjup vid en fassågningsvinkel på 45°	mm 50
Klingdiameter	mm 190
Klingans hål	mm 16
Tandjocklek	mm 2.3
Vikt	kg 5.4

$L_{BA}$  (Ijudnivå) 94 dB(A), osäkerhet (K) 3 dB(A)

$L_{WA}$  (Ijudeffekt) 105 dB(A), osäkerhet (K) 3 dB(A)

Totala vibrationsvärden (vektorsumman av tre axlar) enligt EN 60745:

Träsågning ( $a_{R,W}$ ) 4.8  $m/s^2$ , osäkerhet (K) 1.5  $m/s^2$



## EG-deklaration om överensstämmelse

MASKINDIREKTIV



FME300

Stanley Europe garanterar att produkterna som beskrivs under "Tekniska data" uppfyller:

2006/42/EG, EN 60745-1, EN 60745-2-5

De här produkterna överensstämmer även med direktiven 2004/108/EG och 2011/65/EU. Mer information får du genom att kontakta Stanley Europe på följande adress eller titta i

slutet av bruksanvisningen.

Undertecknad är ansvarig för sammanställningen av tekniska data och gör denna försäkran för Stanley Europe.

Kevin Hewitt  
Vice-President Global Engineering  
Stanley Europe, Egide Walschaertsstraat14-18,  
2800 Mechelen, Belgien  
07/10/2013

## Garanti

Stanley Europe garanterar att produkten är fri från material- och/eller fabriktionsfel vid leverans till kunder som använder produkten i arbetet. Garantin gäller utöver eventuella avtalsrättigheter för privatkonsumentens rättigheter enligt lag och påverkar inte dessa. Garantin gäller inom medlemsstaterna i Europeiska Unionen och i det Europeiska Frihandelsområdet.

## ETT ÅRS FULL GARANTI

Om din Stanley Fat Max-produkt går sönder på grund av material- och/eller fabriktionsfel inom 12 månader från köpet, åtar sig Stanley Europe att byta ut alla trasiga delar utan kostnad med minsta besvär för kunden eller, efter eget godtycke, utan kostnad byta ut produkten förutsatt att:

- ◆ produkten inte har missköts och har använts enligt bruksanvisningen.
- ◆ produkten har utsatts för normalt slitage.
- ◆ reparationer inte har utförts av personer som inte är auktoriserade reparatörer.
- ◆ inköpskvitto finns.
- ◆ Stanley Fat Max-produkten returneras komplett med alla originaldelar

Om du vill göra ett garantianspråk kontaktar du återförsäljaren, letar upp närmaste auktoriserade Stanley Fat Max-verkstad i Stanley Fat Max-katalogen eller kontaktar det lokala Stanley-kontoret på den adress som är angiven i bruksanvisningen. En lista över alla auktoriserade Stanley Fat Max-verkstäder samt servicevillkor finns på Internet: [www.stanley.eu/3](http://www.stanley.eu/3)

## Bruksområde

Stanley Fat Max-sagen er konstruert for saging av tre og treprodukter. Dette verktøyet er tiltenkt både fagarbeidere og private brukere.

## Sikkerhetsinstruksjoner

### Generelle sikkerhetsadvarsler for elektroverktøy



**Advarsel!** Les alle sikkerhetsadvarsler og alle instruksjoner. Hvis advarslene og anvisningene nedenfor ikke overholdes, kan det medføre elektrisk støt, brann og/eller alvorlige personskader.

**Ta vare på alle advarsler og instruksjoner for fremtidig bruk.** Begrepet "elektroverktøy" i advarslene nedenfor gjelder nettdrevet elektroverktøy (med ledning) eller batteridrevet elektroverktøy (uten ledning).

#### 1. Sikkerhet i arbeidsområdet

- Hold arbeidsområdet rent og godt opplyst.** Rotete eller mørke områder fører lett til ulykker.
- Ikke arbeid med elektroverktøy i eksplosjonsfarlige omgivelser – der det befinner seg brennbare væsker, gass eller støv.** Elektroverktøy forårsaker gnister som kan antenne støv eller gass/damp.
- Hold barn og andre personer unna når du bruker et elektroverktøy.** Hvis du blir forstyrret under arbeidet, kan du miste kontrollen.

#### 2. Elektrisk sikkerhet

- Støpselet til elektroverktøy må passe i stikkkontakten. Støpselet må ikke forandres på noen som helst måte. Ikke bruk adapterstøpsler sammen med jordede elektroverktøy.** Bruk av originale støpsler og passende stikkontakter reduserer risikoen for elektrisk støt.
- Unngå kroppskontakt med jordede overflater som rør, radiatorer, komfyrer og kjøleskap.** Det er større fare for elektrisk støt dersom kroppen din er jordat.
- Hold elektroverktøy unna regn eller fuktighet.** Dersom det kommer vann i et elektroverktøy, øker faren for elektrisk støt.
- Unngå uforsvarlig behandling av ledningen. Bruk aldri ledningen til å bære eller trekke elektroverktøyet eller til å trekke ut støpselet. Hold ledningen unna varme, olje, skarpe kanter eller bevegelige deler.** Skadde eller sammenflokede ledninger øker risikoen for elektrisk støt.
- Når du bruker et elektroverktøy utendørs, må du bruke en skjøteledning som er egnet for utendørs bruk.** Når du bruker en skjøteledning som er egnet for utendørs bruk, reduseres risikoen for elektrisk støt.

- Hvis du ikke kan unngå å bruke et elektroverktøy på et fuktig sted, bruker du strømforsyning som er beskyttet med jordfeilbryter.** Bruk av jordfeilbryter reduserer risikoen for elektrisk støt.

#### 3. Personikkerhet

- Vær oppmerksom, pass på hva du gjør, og vis fornuft når du arbeider med et elektroverktøy. Ikke bruk elektroverktøy når du er trett eller er påvirket av narkotika, alkohol eller medikamenter.** Et øyeblikks uoppmerksomhet under bruk av verktøyet kan føre til alvorlige personskader.
- Bruk personlig verneutstyr. Bruk alltid vernebriller.** Bruk av personlig verneutstyr, for eksempel støvmaske, sklisikre vernesko, hjelm eller hørselvern som passer til forholdene, reduserer risikoen for personskader.
- Forhindre utilsiktet start. Kontroller at bryteren står i posisjon "av" før du kobler til strømkilden og/eller batteripakken, og før du tar opp eller bærer verktøyet.** Det kan føre til ulykker hvis du bærer elektroverktøyet med fingeren på bryteren, eller setter strøm på verktøyet når bryteren står på.
- Fjern eventuelle innstillingsverktøy eller skruverktøy før du slår på elektroverktøyet.** Et skruverktøy eller en nøkkel som fortsatt er festet til en roterende del av elektroverktøyet, kan føre til personskade.
- Ikke strekk deg for langt. Pass på at du alltid har sikkert fotfeste og god balanse.** Da kan du kontrollere elektroverktøyet bedre i uventede situasjoner.
- Bruk egnede klær. Ikke bruk løstsittende klær eller smykker. Hold hår, klær og hansker unna bevegelige deler.** Løstsittende tøy, smykker eller langt hår kan bli sittende fast i bevegelige deler.
- Hvis det kan monteres støvavsug- og oppsamlingsinnretninger, må du forvise deg om at disse er tilkoblet og brukes på riktig måte.** Bruk av støvoppsamling kan redusere faren i forbindelse med støv.

#### 4. Bruk og behandling av elektroverktøy

- Ikke bruk makt på elektroverktøyet. Bruk riktig elektroverktøy for bruksområdet.** Med et passende elektroverktøy arbeider du bedre og sikrere med den farten det er beregnet for.
- Ikke bruk elektroverktøyet hvis du ikke kan slå det på og av med bryteren.** Et elektroverktøy som ikke kan kontrolleres med bryteren, er farlig og må repareres.
- Trekk støpselet ut av stikkkontakten og/eller koble fra batteripakken på elektroverktøyet før du utfører innstillinger, bytter tilbehør eller legger elektroverktøyet bort.** Disse forebyggende sikkerhetstiltakene reduserer risikoen for utilsiktet start av elektroverktøyet.

- d. **Elektroverktøy som ikke er i bruk, må oppbevares utilgjengelig for barn. Ikke la verktøyet bli brukt av personer som ikke er fortlroelig med det, eller som ikke har lest denne bruksanvisningen.** Elektroverktøy er farlige når de brukes av uerfarne personer.
- e. **Sørg for vedlikehold av elektroverktøy. Undersøk om bevegelige deler er feiljustert eller blokkert, om deler er skadet, og om det er andre forhold som kan påvirke elektroverktøets funksjon. Hvis elektroverktøyet er skadet, må det repareres før bruk.** Dårlig vedlikeholdt elektroverktøy er årsaken til mange ulykker.
- f. **Hold skjæreverktøy skarpe og rene.** Godt vedlikeholdte skjæreverktøy med skarpe egger setter seg ikke så ofte fast og er lettere å føre.
- g. **Bruk elektroverktøy, tilbehør, bits osv. i henhold til disse instruksjonene. Ta hensyn til arbeidsforholdene og arbeidet som skal utføres.** Bruk av elektroverktøy til andre formål enn det som er angitt, kan føre til farlige situasjoner.

## 5. Service


- a. **Elektroverktøy skal alltid repareres av kvalifisert personell og kun med originale reservedeler.** Slik opprettholdes sikkerheten ved bruk av elektroverktøyet.

## Ytterligere sikkerhetsadvarsler for elektroverktøy



**Advarsel!** Sikkerhetsinstruksjoner for alle sager

## Skjærepesedyrer

- a.  **Hold hendene borte fra skjæreområdet og bladet. Hold den andre hånden på hjelpehåndtaket eller motorhuset.** Hvis du holder sagen med begge hender, kan de ikke bli skåret av bladet.
- b. **Ikke ha hånden under arbeidsstykket.** Beskyttelsen verner deg ikke mot bladet under arbeidsstykket.
- c. **Juster skjæredybden etter tykkelsen på arbeidsstykket.** Mindre enn hele tannen på bladet skal være synlig under arbeidsstykket.
- d. **Hold aldri stykket som skal skjæres, i hendene eller over benet. Fest arbeidsstykket til et stabilt underlag.** Det er viktig at arbeidsstykket har nok støtte så du minimerer faren for at kroppen blir utsatt, bladet setter seg fast eller du mister kontrollen.
- e. **Hold bare i de isolerte grepene på elektroverktøyet når du utfører et arbeid hvor skjæreverktøyet kan komme i kontakt med skjulte ledninger eller sin egen kabel.** Kontakt med en strømførende ledning vil også føre til at eksponerte metalldele på elektroverktøyet blir strømførende, og brukeren kan få elektrisk støt.
- f. **Når du sager på langs, må du alltid bruke skjæreskinne eller parallellguide.** Dette forbedrer nøyaktigheten i sagingen og reduserer sjansen for at bladet blokkeres.
- g. **Bruk alltid blader med korrekt størrelse og form (diamant eller rundt) på spindelhull.** Blader som ikke passer til monteringsenheten for sagen, vil rotere eksentrisk og føre til tap av kontroll.
- h. **Bruk aldri skadede eller gale bladskiver eller skruer.** Bladskivene og skruen er spesielt utformet for din sag, slik at den skal fungere best mulig og gi best mulig driftssikkerhet.

## Ytterligere sikkerhetsinstruksjoner for alle sager

### Årsaker til tilbakeslag og relaterte advarsler

- ◆ **Tilbakeslag er en plutselig reaksjon på et klemt, blokkert eller galt justert sagblad, noe som fører til at sagen løftes opp og ut av arbeidsstykket og mot brukeren.**
- ◆ **Når bladet blir klemt eller blokkert ved at sagsnittet lukker seg, stanses bladet, og motorreaksjonen driver enheten raskt bakover mot brukeren.**
- ◆ **Hvis bladet blir vridd eller er mistilpasset i kuttet, kan tennene i bakkant av bladet grave seg ned i toppflaten på treet, noe som fører til at bladet klyver ut av sagsnittet og hopper bakover mot brukeren.**

Tilbakeslag er et resultat av gal bruk av sagen og/eller gale brukerprosedyrer eller forhold under bruk og kan unngås ved at du tar riktige forholdsregler som forklart nedenfor.

- a. **Hold sagen i et fast grep med begge hender, og plasser armene for å motstå tilbakeslagskrefter. Plasser kroppen til én av sidene for bladet og ikke på linje med bladet.** Tilbakeslag kan føre til at sagen hopper bakover, men brukeren kan kontrollere tilbakeslagskreftene, hvis vedkommende tar riktige forholdsregler.
- b. **Når bladet setter seg fast, eller du avbryter et kutt av én eller annen grunn, slipper du startknappen og holder sagen stille i materialet til bladet stanser helt. Prøv aldri å fjerne sagen fra arbeidet eller å trekke sagen baklengs mens bladet beveger seg, for da kan det forekomme tilbakeslag.** Undersøk årsakene til at bladet blokkeres, og treff korrigerende tiltak.
- c. **Når du starter en sag på nytt i arbeidsstykket, sentrerer du sagbladet i sagsnittet og kontrollerer at sagtennene ikke griper i materialet.** Hvis sagbladet er blokkert, kan det klatre eller slå tilbake fra arbeidsstykket når sagen startes igjen.
- d. **Støtt opp store plater for å gjøre risikoen for klemming av bladet og tilbakeslag minst mulig.** Store plater har en tendens til å bli bøyd av sin egen vekt. Du må plassere støtter under platen på begge sider av skjærelinjen og i nærheten av kanten av platen.

- e. **Ikke bruk sløve eller skadede blader.** Sløve eller galt stilte blader gir et smalt sagsnitt som skaper ekstra friksjon, blokkering av bladet og tilbakeslag.
- f. **Låsene for justering av dybde og skråstilling for bladet må være festet sikkert før du sager.** Hvis bladetinnstillingen endres mens du sager, kan det føre til blokkering og tilbakeslag.
- a. **Vær ekstra varsom når du sager inn i eksisterende vegger eller andre steder der du ikke ser.** Når bladet stikker ut, kan det treffe gjenstander som gir tilbakeslag.

## Nedre beskyttelse

- a. **Kontroller at den nedre beskyttelsen lukkes riktig før hver gangs bruk. Bruk aldri sagen hvis den nedre beskyttelsen ikke beveger seg fritt og lukkes straks. Du må aldri klemme fast eller binde den nedre beskyttelsen i åpen stilling.** Hvis du mister sagen ved et uhell, kan den nedre beskyttelsen bli bøyd. Løft den nedre beskyttelsen med håndtaket, og pass på at den beveger seg fritt og ikke berører bladet eller noen annen del ved alle vinkler og skjæredybder.
- b. **Kontroller at fjæren til den nedre beskyttelsen fungerer korrekt. Hvis beskyttelsen og fjæren ikke fungerer korrekt, må de vedlikeholdes før bruk.** Den nedre beskyttelsen kan fungere dårlig på grunn av skadde deler, gummiavleiringer eller opphopning av avfall.
- c. **Den nedre beskyttelsen skal trekkes tilbake manuelt bare ved spesielle kutt som "dykkekutt" og "sammensetningskutt".** Løft den nedre beskyttelsen ved å trekke tilbake håndtaket. Straks bladet berører materialet, må den nedre beskyttelsen slippes. Ved all annen saging skal den nedre beskyttelsen fungere automatisk.
- d. **Pass alltid på at den nedre beskyttelsen dekker bladet før du setter sagen ned på en benk eller på gulvet.** Et ubeskyttet, roterende blad vil få sagen til å bevege seg bakover, og den skjærer det som kommer i veien. Vær oppmerksom på tiden det tar for bladet å stoppe etter at bryteren er sluppet.

## Kløveknivfunksjon

- a. **Bruk riktig sagblad for kløvekniven.** For at kløvekniven skal fungere, må godset i bladet være tynnere og skjærebredden på bladet tykkere enn kløvekniven.
- b. **Juster kløvekniven som beskrevet i denne håndboken.** Feil avstand, plassering og justering kan gjøre kløvekniven ute av stand til å forhindre tilbakeslag.
- c. **Bruk alltid kløvekniven bortsett fra ved "dykkekutt".** Kløvekniven må settes på igjen etter "dykkekutt". Kløvekniven skaper forstyrrelse ved "dykkekutt" og kan forårsake tilbakeslag.

- d. **For at kløvekniven skal fungere, må den ha grep i arbeidsstykket.** Kløvekniven forhindrer ikke tilbakeslag effektivt ved korte kutt.
- e. **Ikke bruk sagen hvis kløvekniven er bøyd.** Selv en liten forstyrrelse kan føre til at beskyttelsen lukkes langsommere.

## Andre risikoer.

Ved bruk av produktet kan det oppstå ytterligere risikoer som kanskje ikke er inkludert i sikkerhetsadvarslene som følger med. Disse risikoene kan bli forårsaket av feil bruk, langvarig bruk osv.

Selv om de relevante sikkerhetsbestemmelsene blir fulgt, og sikkerhetstiltakene blir gjennomført, kan visse gjenværende risikoer ikke unngås. Disse omfatter:

- ◆ Personskader som forårsakes av berøring av en roterende/bevegelig del.
- ◆ Personskader som forårsakes av at en del, et blad eller tilbehør endres.
- ◆ Personskader som forårsakes av langvarig bruk av et verktøy. Når du bruker et verktøy i lange perioder, må du sørge for å ta regelmessige pauser.
- ◆ Svekket hørsel.
- ◆ Helsefarer som forårsakes av innånding av støv som dannes når du bruker verktøyet (eksempel: arbeid med tre, spesielt eik, bøk og MDF).

## Sagblader

- ◆ Ikke bruk blader med større eller mindre diameter enn anbefalt. Du finner riktige data for blad under tekniske data. Bruk bare bladene som er spesifisert i denne håndboken, og som er i samsvar med EN 847-1.
- ◆ **Advarsel!** Slipeskiver må aldri brukes.

## Andre personers sikkerhet

- ◆ Dette produktet er ikke beregnet på å brukes av personer (inkludert barn) med reduserte fysiske, sansemessige eller mentale evner, eller som mangler erfaring og kunnskap, med mindre de har fått oppfølging eller instruksjon i bruken av produktet fra en person som er ansvarlig for deres sikkerhet.
- ◆ Barn skal være under tilsyn så du er sikker på at de ikke leker med verktøyet.

## Vibrasjon

Vibrasjonsemisjonsverdien som er angitt under tekniske data og samsvarserklæring, er blitt målt i henhold til en standard testmetode som er angitt i EN 60745, og kan brukes til å sammenligne et verktøy med et annet. Den oppgitte vibrasjonsemisjonsverdien kan også brukes til en foreløpig vurdering av eksponering.

**Advarsel!** Vibrasjonsemisjonsverdien under faktisk bruk av elektroverktøyet kan avvike fra den oppgitte verdien avhengig av måten verktøyet blir brukt på. Vibrasjonsnivået kan øke over nivået som er oppgitt.

Når man vurderer vibrasjonseksposering for å bestemme sikkerhetstiltak som kreves i 2002/44/EF, for å beskytte personer som bruker elektroverktøy regelmessig i arbeidet, skal man når man anslår vibrasjonseksposeringen, ta hensyn til de faktiske bruksforholdene og måten verktøyet blir brukt på, inkludert hensyn til alle deler av brukssyklusen – også de gangene verktøyet slås av, og når det går på tomgang, i tillegg til tiden utløseren er inne.

### Merking på verktøyet

Følgende symboler vises på verktøyet:



**Advarsel!** Brukeren må lese håndboken for å redusere risikoen for personskade.

### Elektrisk sikkerhet



Dette apparatet er dobbeltisolert. Jording er derfor ikke nødvendig. Kontroller alltid at strømforsyningen er i overensstemmelse med spenningen på typeskiltet.

- ◆ Hvis strømfledningen blir skadet, må den skiftes av produsenten eller et autorisert Stanley Fat Max-service-senter så man unngår fare.

### Funksjoner

Dette verktøyet inkluderer noen av eller alle funksjonene nedenfor.

1. Av/på-bryter
2. Utløserknapp
3. Hovedhåndtak
4. Hjelpeshåndtak
5. Låseknapp for spindel
6. Fot
7. Sagblad
8. Sagbladbeskyttelse
9. Kløvekniv
10. Sagflisuttak

### Montering

**Advarsel!** Før du utfører noen av prosedyrene nedenfor, må du sikre for at verktøyet er slått av, at kontakten er trukket ut og sagbladet ikke er i bevegelse.

## Demontering og montering av sagblad (figur A)

### Demontering

- ◆ Hold inne låseknappen for spindelen (5), og vri sagbladet til spindellåsen griper.
- ◆ Løsne og ta ut festeskruen for bladet (11) ved å dreie den mot klokken med skrunøkkelen (12) som følger med.
- ◆ Fjern den ytre skiven (13).
- ◆ Fjern sagbladet (7).

### Montering

- ◆ Plasser sagbladet på den indre flensen (14), og pass på at pilen på bladet peker i samme retning som pilen på verktøyet.
- ◆ Sett den ytre skiven (13) på spindelen med det hevede punktet bort fra sagbladet.
- ◆ Sett festeskruen for bladet (11) inn i hullet.
- ◆ Hold inne spindellåseknappen (5).
- ◆ Stram festeskruen for bladet godt ved å dreie den med klokken med skrunøkkelen (12) som følger med.
- ◆ Juster kløvekniven som beskrevet nedenfor.

## Justere kløvekniven (figur B)

Kløvekniven hindrer at sagbladet setter seg fast ved saging på langs. Kløvekniven må justeres etter at sagbladet er byttet.

- ◆ Løsne skruene (15) ved hjelp av skrunøkkelen (12) mens du holder kløvekniven i riktig stilling.
- ◆ Plasser kløvekniven (9) som vist.
- ◆ Avstanden mellom den tannede kanten og kløvekniven skal være 2–3 mm.
- ◆ Høydeforskjellen mellom den tannede kanten og den nederste enden av kløvekniven skal være 2–3 mm.
- ◆ Stram skruene.

## Montering og demontering av parallellguiden (figur C)

- ◆ Parallellguiden brukes til å sage i en rett linje parallelt med kanten av arbeidsstykket.

### Montering

- ◆ Løsne låseknotten (16).
- ◆ Sett inn parallellguiden (17) gjennom åpningene (18).
- ◆ Skyv parallellguiden til den ønskede stillingen.
- ◆ Fest låseknotten.

### Demontering

- ◆ Løsne låseknotten.
- ◆ Trekk parallellguiden av verktøyet.

## Bruk

**Advarsel!** La verktøyet arbeide i sin egen hastighet. Ikke overbelast det.

Dette verktøyet kan brukes med høyre eller venstre hånd.

### Justere sagevinkelen (figur D)

- ◆ Bruk en vinkelhake til å sjekke at vinkelen mellom sagbladet og sagfoten er 90°. Hvis vinkelen ikke er 90°, justerer du slik:
  - ◆ Skru opp låseknotten (19) for å løsne sagfoten.
  - ◆ Løsne låsemutteren (20) på justeringsskruen (21).
  - ◆ Skru justeringsskruen (20) inn eller ut så du oppnår en vinkel på 90°.
  - ◆ Stram låsemutteren igjen.
  - ◆ Stram låseknotten for å feste sagfoten.

### Justere skjæredybden (figur E)

Skjæredybden skal stilles inn i samsvar med tykkelsen på arbeidsstykket. Den skal være ca. 2 mm større enn tykkelsen.

- ◆ Skru opp låseknotten (22) for å løsne sagfoten.
- ◆ Flytt sagfoten (6) til ønsket posisjon. Du kan lese av den tilsvarende skjæredybden på skalaen (23).
- ◆ Stram låseknotten (22) for å feste sagfoten.

### Justere sagevinkelen (figur F)

Dette verktøyet kan stilles inn med sagevinkler mellom 0° og 45°.

- ◆ Skru opp låseknotten (19) for å løsne sagfoten.
- ◆ Flytt sagfoten (8) til ønsket posisjon. Du kan lese av den tilsvarende sagevinkelen på skalaen (24).
- ◆ Stram låseknotten for å feste sagfoten.

### Slå av og på

- ◆ Når du skal slå på verktøyet, setter du låseknappen (2) i åpen stilling og trykker på av/på-knappen (1).
- ◆ Slipp på/av-knappen for å slå verktøyet av.

### Saging

Hold alltid verktøyet med begge hender.

- ◆ La bladet gå fritt i noen få sekunder før du starter sagingen.
- ◆ Bruk bare lett trykk på verktøyet når du sager.
- ◆ Arbeid med sagfoten trykt mot arbeidsstykket.

**Merk:** Pass på at bladspissene ikke overopphetes.

### Bruke siktguiden (figur G)

Verktøyet er utstyrt med en siktguide for rett saging (25) og for skråsaging i 45° (26).

- ◆ Juster siktguiden som beskrevet nedenfor.
- ◆ Juster venstre kant av guiden (25) eller (26) med skjærelinjen (27).
- ◆ Hold siktguiden justert i forhold til skjærelinjen mens du sager.
- ◆ Arbeid med sagfoten trykt mot arbeidsstykket..

### Justere siktguiden

- ◆ Lag et prøveuttak halvveis gjennom et trestykke som kan kasseres etterpå.
- ◆ Trekk sagen tilbake til skjærelinjen (27) blir synlig.
- ◆ Løsne justeringsskruen (28) på siktguiden mens du holder sagen i denne stillingen, som vist i figuren.
- ◆ Juster merket for 0° (25) på siktguiden i forhold til skjærelinjen (27). Når du justerer for 45° skråsaging, justerer du merket for 45° (26) på siktguiden med skjærelinjen.
- ◆ Fest siktguiden med skruen (28).

### Støvtuttak

Du trenger en adapter for å koble en støvsuger eller et støvavtrekk til verktøyet.

- ◆ Sett inn støvtuttaksadapteren i sagstøvtuttaket (10).
- ◆ Koble støvsugerslangen til adapteren.

### Råd for optimal bruk

- ◆ Bruk alltid sagblader som egner seg for materialet i arbeidsstykket og den typen saging som skal utføres.
- ◆ Hold alltid verktøyet med begge hender.
- ◆ La bladet gå fritt i noen få sekunder før du starter sagingen.
- ◆ Bruk bare et lett press på verktøyet når du sager.
- ◆ Arbeid med sagfoten presset mot arbeidsstykket..
- ◆ Siden det er umulig å unngå noe oppflising langs skjærelinjen på oversiden av arbeidsstykket, bør du sage på den siden der oppflisingen kan aksepteres.
- ◆ Når oppflisingen skal være minimal, for eksempel ved saging av laminater, kan du feste et stykke finere oppå arbeidsstykket.
- ◆ Støtt opp store plater for å gjøre risikoen for klemming av bladet og tilbakeslag minst mulig. Store plater har en tendens til å bli bøyd av sin egen vekt.
- ◆ Du må plassere støtter under platen på begge sider av skjærelinjen og i nærheten av kanten av platen som skal sages.
- ◆ Hold aldri stykket som skal skjæres, i hendene eller over benet.
- ◆ Fest arbeidsstykket til et stabilt underlag med klemmer. Det er viktig at arbeidsstykket har nok støtte så du minimerer faren for at kroppen blir utsatt, bladet setter seg fast eller du mister kontrollen.

### Tilbehør

Verktøyet ytelse avhenger av hva slags tilbehør som brukes. Stanley Fat Max-tilbehør er produsert etter høye kvalitetsstandarder og er konstruert for å bedre verktøyet ytelse. Hvis du bruker dette tilbehøret, får du mest mulig ut av verktøyet ditt.

## Vedlikehold

Verktøyet er konstruert for å være i drift over lengre tid med et minimum av vedlikehold. Det er avhengig av riktig stell og regelmessig rengjøring for å fungere som det skal til enhver tid.

**Advarsel!** Før vedlikehold må verktøyet slås av og støpselet trekkes ut.

- ◆ Rengjør ventilasjonsåpningene i verktøyet og laderen jevnlig med en myk børste eller tørr klut.
- ◆ Rengjør motorhuset regelmessig med en fuktig klut. Ikke bruk slipende eller løsemiddelbaserte rengjøringsmidler.

## Bytte nettstøpsel (gjelder bare Storbritannia og Irland)

Hvis ny nettplugg må settes på:

- ◆ Kast det gamle støpselet på en trygg måte.
- ◆ Koble den brune ledningen til den strømførende terminalen i det nye støpselet.
- ◆ Koble den blå ledningen til nullterminalen.

**Advarsel!** Du skal ikke koble til jordterminalen. Følg monteringsinstruksjonene som følger med støpsler av god kvalitet. Anbefalt sikring: 13 A.

## Miljø



Separat avfallshåndtering. Dette produktet må ikke kastes sammen med vanlig husholdningsavfall.

Hvis du synes Stanley Fat Max-produktet bør skiftes ut, eller du ikke har bruk for det lenger, må du ikke kaste det sammen med husholdningsavfall. Sørg for separat avfallshåndtering for dette produktet.



Hvis brukte produkter og emballasje leveres atskilt, kan materialer resirkuleres og brukes på nytt. Gjenbruk av resirkulerte materialer bidrar til redusert miljøforurensning og reduserer behovet for råmaterialer.

Det kan være lokale bestemmelser for separat avfallshåndtering for elektriske produkter fra husstander på kommunale avfallsplasser eller hos forhandleren, når du kjøper et nytt produkt.

Stanley Europe har en ordning for innsamling og resirkulering av Stanley Fat Max-produkter som ikke skal brukes lenger. Du kan benytte denne tjenesten ved å levere produktet til et hvilket som helst autorisert serviceverksted.

Du kan finne ut hvor nærmeste autoriserte serviceverksted er, ved å kontakte din lokale Stanley Europe-avdeling på adressen som er oppgitt i denne håndboken. En oversikt over autoriserte Stanley Europe-serviceverksteder og alle opplysninger om ettersalgsservice og kontakter er også tilgjengelig på Internett: [www.2helpU.com](http://www.2helpU.com)

## Tekniske data

	FME300 (Type 1)	
Inngangsspenning	$V_{ac}$	230
Inngangseffekt	W	1,600
Hastighet uten belastning	$min^{-1}$	5,000
Maks. skjæredybde	mm	65
Maks. skjæredybde ved 45° sagevinkel	mm	50
Bladdiameter	mm	190
Hulldimensjon blad	mm	16
Bredde bladspiss	mm	2.3
Vekt	kg	5.4

$L_{pA}$  (lydtrykk) 94 dB(A), usikkerhet (K) 3 dB(A)

$L_{WA}$  (lydeffekt) 105 dB(A), usikkerhet (K) 3 dB(A)

Totale vibrasjonsverdier (vektorsum fra tre retninger) i henhold til EN 60745:

Skjære i tre ( $a_{h, W}$ ) 4.8  $m/s^2$ , usikkerhet (K) 1.5  $m/s^2$

**EF-samsvarserklæring**

MASKINDIREKTIV



FME300

Stanley Europe erklærer at disse produktene som er beskrevet under "Tekniske data", er i samsvar med:

2006/42/EF, EN 60745-1, EN 60745-2-5

Disse produktene er også i samsvar med direktiv 2004/108/EF og 2011/65/EU. Hvis du ønsker mer informasjon, kontakt Stanley Europe på følgende adresse, eller se på baksiden av håndboken.

Undertegnede er ansvarlig for utarbeidelsen av den tekniske dokumentasjonen og gir denne erklæringen på vegne av

Stanley Europe.

Kevin Hewitt  
Vice-President Global Engineering  
Stanley Europe, Egide Walschaertsstraat14-18,  
2800 Mechelen, Belgia  
07/10/2013

**Garanti**

Stanley Europe er trygg på kvaliteten på sine produkter og tilbyr en enestående garanti til profesjonelle brukere av produktet. Denne garantierklæringen kommer i tillegg til og reduserer på ingen måte dine kontraktmessige rettigheter som privat ikke-profesjonell bruker. Garantien er gyldig i EU- og EFTA-medlemsstatene.

**FULL GARANTI I ETT ÅR**

Hvis Stanley Fat Max-produktet blir defekt på grunn av material- eller produksjonsfeil innen 12 måneder fra kjøpsdatoen, garanterer Stanley Europe å erstatte alle defekte deler uten betaling eller – hvis vi velger dette – å erstatte enheten uten betaling forutsatt at:

- ◆ Produktet er ikke blitt brukt på feil måte og er blitt brukt i samsvar med bruksanvisningen.
- ◆ Produktet har vært utsatt for rimelig slitasje.
- ◆ Uautoriserte personer har ikke gjort forsøk på å reparere produktet.
- ◆ Det legges frem kjøpsdokumentasjon.
- ◆ Stanley Fat Max-produktet returneres i sin helhet med alle originale komponenter.

Hvis du ønsker å fremme et krav, må du kontakte selgeren eller finne adressen til nærmeste autoriserte Stanley Fat Max-serviceverksted i Stanley Fat Max-katalogen eller kontakte din lokale Stanley-avdeling på adressen som er oppgitt i denne håndboken. En liste over autoriserte serviceverksteder for Stanley Fat Max og alle opplysninger om ettersalgsservice er tilgjengelig på Internett på: [www.stanley.eu/3](http://www.stanley.eu/3)



## Tilsigtet brug

Din Stanley Fat Max-sav er designet til at save i træ og træprodukter. Dette værktøj er beregnet til erhvervsmæssige brugere og private ikke-erhvervsmæssige brugere.

## Sikkerhedsvejledning

### Generelle sikkerhedsadvarsler vedrørende elværktøj



**Advarsel!** Læs alle sikkerhedsadvarsler og instruktioner. Hvis nedenstående instruktioner og advarsler ikke følges, er der risiko for elektrisk stød, brand og/eller alvorlige personskader.

### Gem alle advarsler og anvisninger til senere brug.

Begrebet "elværktøj", der benyttes i nedenstående advarsler, henviser til netdrevet elværktøj (med netledning) eller batteridrevet elværktøj (uden netledning).

#### 1. Sikkerhed i arbejdsområdet

- Hold arbejdsområdet rent og godt oplyst.** Rodede og uoplyste områder øger risikoen for uheld.
- Brug ikke elværktøj i eksplosive omgivelser, f.eks. hvor der er brændbare væsker, gasser eller støv.** Elværktøj kan forårsage gnister, der kan antænde støv eller dampe.
- Hold børn og andre personer på afstand, når et elværktøj er i brug.** Du kan miste kontrollen over værktøjet, hvis du distraheres.

#### 2. Elektricitet og sikkerhed

- Elværktøjsstik skal passe til stikkontakten. Stikket må under ingen omstændigheder ændres. Brug ikke adapterstik sammen med jordforbundet elværktøj.** Uændrede stik, der passer til stikkontakterne, nedsætter risikoen for elektrisk stød.
- Undgå kropskontakt med jordforbundne overflader som f.eks. rør, radiatorer, komfurer og køleskabe.** Hvis din krop er jordforbundet, øges risikoen for elektrisk stød.
- Elværktøj må ikke udsættes for regn eller fugt.** Indtrængen af vand i elværktøj øger risikoen for elektrisk stød.
- Ødelæg ikke ledningen. Bær, træk eller afbryd ikke elværktøjet vha. ledningen. Beskyt ledningen mod varme, olie, skarpe kanter eller maskindele, der er i bevægelse.** Beskadigede eller sammenfiltrede ledninger øger risikoen for elektrisk stød.
- Hvis elværktøj benyttes i det fri, skal der benyttes en forlængerledning, som er godkendt til udendørs brug.** Brug af en forlængerledning til udendørs brug nedsætter risikoen for elektrisk stød.

- Brug en strømkilde med fejlstrømsbeskyttelse, hvis det er uundgåeligt at anvende elværktøj på fugtige steder.** Med en fejlstrømsbeskyttelse reduceres risikoen for elektrisk stød.

#### 3. Personlig sikkerhed

- Vær opmærksom, hold øje med, hvad du laver, og brug elværktøjet fornuftigt. Brug ikke et elværktøj, hvis du er træt eller påvirket af stoffer, medicin eller alkohol.** Få sekunders uopmærksomhed ved brug af elværktøjet kan føre til alvorlige personskader.
  - Brug personlige værnemidler. Brug altid beskyttelsesbriller.** Brug af værnemidler som f.eks. støvmaske, skridsikket fodtøj, beskyttelseshjelm eller høreværn nedsætter risikoen for personskader, hvis udstyret anvendes korrekt.
  - Sørg for, at værktøjet ikke kan starte utilsigtet. Kontroller, at afbryderkontakten står på slukket, inden værktøjet tilsluttes strømkilden og/eller batteriet, samles op eller bæres.** Bæres elværktøj, mens fingeren er på kontakten, eller tilsluttes det, mens kontakten står på tændt, kan der nemt ske en ulykke.
  - Fjern indstillingsværktøj eller skruenøgle, inden elværktøjet tændes.** Et værktøj eller en nøgle, der efterlades i en roterende del i elværktøjet, kan resultere i personskader.
  - Stræk dig ikke for langt. Sørg for, at du altid har sikkert fodfæste og balance.** Det gør det nemmere at kontrollere elværktøjet, hvis der skulle opstå uventede situationer.
  - Brug egnet arbejdstøj. Undgå løse beklædningsgenstande eller smykker. Hold hår, tøj og handsker væk fra dele, der bevæger sig.** Bevægelige dele kan gribe fat i løstsiddende tøj, smykker eller langt hår.
  - Hvis støvudsugnings- og opsamlingsudstyr kan monteres, er det vigtigt, at dette tilsluttes og benyttes korrekt.** Brug af udstyr til opsamling af støv kan nedsætte risikoen for støvrelateret personskade.
- #### 4. Brug og vedligeholdelse af elværktøj
- Undgå at overbelaste elværktøjet. Brug altid det rette elværktøj til opgaven.** Med det rigtige elværktøj udføres arbejdet lettere og sikrere og i det tempo, som værktøjet er beregnet til.
  - Brug ikke elværktøjet, hvis afbryderen er defekt.** Elværktøj, der ikke kan reguleres med afbryderen, er farligt og skal repareres.
  - Træk stikket ud af stikkontakten og/eller batteriet inden indstilling, tilbehørsudskiftning eller opbevaring af elværktøjet.** Disse sikkerhedsforanstaltninger reducerer risikoen for utilsigtet start af værktøjet.


- d. **Opbevar ubenyttet elværktøj uden for børns rækkevidde.** Lad aldrig personer, der ikke er fortrolige med elværktøj, eller som ikke har gennemlæst disse instruktioner, benytte maskinen. Elværktøj er farligt, hvis det benyttes af ukyndige personer.
- e. **Elværktøj bør vedligeholdes omhyggeligt. Kontroller, om bevægelige dele er skæve og ikke sidder fast, og om delene er brækket eller beskadiget, så elværktøjets funktion påvirkes. Få beskadigede dele repareret, inden elværktøjet tages i brug.** Mange uheld skyldes dårligt vedligeholdt elværktøj.
- f. **Sørg for, at skæreværktøjer er skarpe og rene.** Ordentligt vedligeholdt skæreværktøj med skarpe skærekanten sætter sig ikke så hurtigt fast og er nemmere at styre.
- g. **Brug elværktøjet, tilbehøret, indsatsværktøj osv. i overensstemmelse med disse instruktioner under hensyntagen til arbejdsforholdene og arbejdet, der skal udføres med værktøjet.** I tilfælde af anvendelse af elværktøjet til formål, som ligger uden for det fastsatte anvendelsesområde, kan der opstå farlige situationer.
5. **Service**
- a. **Få altid elværktøjet repareret af kvalificerede fagfolk med udelukkende identiske reservedele.** Dermed opretholdes elværktøjets sikkerhed.

### Yderligere sikkerhedsadvarsler for elværktøj



**Advarsel!** Sikkerhedsinstruktioner gældende for alle save

### Skæreprocedurer

- a.  **Hold hænderne på afstand af skæreområdet og klingens. Anbring altid den hånd, der ikke holder saven, på det ekstra (sekundære) håndtag eller på motorhuset.** Hvis du holder saven med begge hænder, undgår du at skære dig på klingens.
- b. **Ræk aldrig ind under materialet.** Skjoldet yder ingen beskyttelse mod den del af klingens, der er under materialet.
- c. **Indstil skæredybden til materialets tykkelse.** Mindre end én hel tand på klingens må være synlig under materialet.
- d. **Hold aldrig det emne, du saver i, i hånden eller over dine ben. Fastgør materialet til en stabil platform.** Det er vigtigt, at materialet understøttes tilstrækkeligt for at undgå, at kroppen kommer i kontakt med klingens, og at klingens sætter sig fast eller kommer ud af kontrol.
- e. **Hold kun i elværktøjets isolerede gribeblader, hvis der er risiko for, at det kommer i kontakt med skjulte ledninger eller dets egen ledning.** Ved kontakt med en strømførende ledning bliver elværktøjets blotlagte metaldele også strømførende, så brugeren får stød.
- f. **Brug et land eller en styreskinne, når der saves på langs.** Det øger nøjagtigheden og mindsker risikoen for, at klingens sætter sig fast.
- g. **Brug altid klinger med referencehuller i korrekt størrelse og form (diamant kontra rund).** Klinger, som ikke passer til montering i saven, kører excentrisk, så saven risikerer at komme ud af kontrol.
- h. **Brug aldrig beskadigede eller forkerte klingspændeskiver eller -bolte.** Klingspændeskiverne og -boltene er konstrueret specielt til denne sav med henblik på at sikre optimal ydelse og sikkerhed.

### Yderligere sikkerhedsinstruktioner gældende for alle save

#### Årsager til tilbageslag og relaterede advarsler

- ◆ Et tilbageslag opstår pludseligt, hvis savklingen klemmes fast, sætter sig fast eller kommer ud af justering, så saven kommer ud af kontrol og løftes væk fra materialet mod brugeren;
- ◆ hvis skærerillen bliver for smal, og klingens klemmes fast eller sætter sig fast, stopper klingens, så motorkraften bevirker, at saven kastes bagud mod brugeren;
- ◆ hvis klingens bliver skæv eller kommer ud af justering i skærerillen, kan tænderne i klingens bagkant skære sig ned i træets overflade, så klingens arbejder sig ud af skærerillen og springer tilbage mod brugeren.

Et tilbageslag opstår som følge af forkert brug og/eller forkerte betjeningsprocedurer eller -forhold og kan undgås ved at træffe nedenstående forholdsregler.

- a. **Hold godt fast i saven med begge hænder, og anbring armene, så de kan holde saven i tilfælde af et tilbageslag. Anbring kroppen på den ene side af klingens, men ikke ud for den.** Et tilbageslag kan få saven til at springe bagud, men kan afværiges af brugeren, hvis de rette forholdsregler træffes.
- b. **Slip startknappen, og hold saven stille i materialet, indtil klingens er helt stoppet, hvis klingens sætter sig fast, eller der opstår nogen form for uregelmæssighed under arbejdet. Forsøg aldrig at fjerne saven fra materialet eller at trække den bagud, mens klingens er i bevægelse eller ved et tilbageslag.** Undersøg årsagen, og træf de fornødne forholdsregler for at forhindre, at klingens sætter sig fast.

- c. Når arbejdet genoptages, skal savklingen centreret i skærerillen, og det skal kontrolleres, at savtænderne ikke har kontakt med materialet. Hvis savklingen sætter sig fast, kan den arbejde sig op, eller der kan opstå et tilbageslag fra materialet, når saven startes igen.
- d. **Understøt større plader for at minimere risikoen for, at klingen klemmes fast, og der opstår et tilbageslag.** Større plader har en tendens til at bøje pga. deres vægt. Understøttelsen skal anbringes under pladen på begge sider i nærheden af skærestedet og i nærheden af pladens kant.
- e. **Brug ikke sløve eller beskadigede klinger.** Uskarpe klinger eller klinger, der ikke er sat rigtigt fast, giver en smal skærerille, som medfører friktion, at klingen sætter sig fast og tilbageslag.
- f. **Grebene til justering af klingens dybde og vinkel skal være strammet, inden der saves.** Hvis klingen forskubber sig under arbejdet, kan den sætte sig fast, eller der kan opstå et tilbageslag.
- a. **Vær især forsigtig, hvis der saves i eksisterende vægge eller andre steder, hvor du ikke kan se, hvad du skærer i.** Den fremspringende del af klingen kan ramme genstande, som kan forårsage et tilbageslag.

## Funktion af nederste skjold

- a. **Kontroller inden brug, at det nederste skjold er helt lukket. Anvend ikke saven, hvis det nederste skjold ikke kan bevæges frit og ikke lukker med det samme. Forsøg aldrig at klemme eller tvinge det nederste skjold op.** Hvis saven ved et uheld tabs, kan det nederste skjold blive bøjet. Løft det nederste skjold vha. det nedfældede håndtag, og kontroller, at det kan bevæges frit og ikke kan komme i kontakt med klingen eller andre dele uanset skærevinkel og dybde.
- b. **Kontroller, at det nederste skjolds fjeder fungerer. Hvis skjoldet og fjederen ikke fungerer korrekt, skal saven repareres inden brug.** Det nederste skjold kan fungere trægt pga. beskadigede dele samt aflejring af gummi eller smuds.
- c. **Det nederste skjold må kun trækkes ud manuelt i forbindelse med særlige snit, f.eks. "indsnit" og "kombinerede snit".** Løft det nederste skjold ved at trække håndtaget ind. Frigør det nederste skjold, i samme øjeblik klingen rammer materialet. I forbindelse med alle andre opgaver skal det nederste skjold fungere automatisk.
- d. **Kontroller altid, at det nederste skjold dækker klingen, inden saven anbringes på en arbejdsbænk eller på gulvet.** En ubeskyttet, roterende klinge kan selv uden motorkraft få saven til at køre baglæns og skære i de genstande, den kommer i kontakt med. Vær opmærksom på, at det tager tid, før klingen stopper, efter at kontakten slippes.

## Spalteknivsfunktion

- a. **Brug den rette savklinge til spaltekniven.** Hvis spaltekniven skal fungere, skal selve klingen være tykkere end spaltekniven, og klingens skærebredde skal være bredere end spalteknivens tykkelse.
- b. **Juster spaltekniven i henhold til beskrivelsen i denne brugervejledning.** Forkert afstand, placering og justering kan medføre, at spaltekniven ikke effektivt kan forhindre tilbageslag.
- c. **Brug altid spaltekniven, undtagen når der foretages indsnit.** Spaltekniven skal monteres igen efter indsnit. Spaltekniven kan virke forstyrrende, når der foretages indsnit, og kan forårsage et tilbageslag.
- d. **Hvis spaltekniven skal fungere, skal den have forbindelse med materialet.** Spaltekniven forhindrer ikke tilbageslag under kortvarig skæring.
- e. **Betjen ikke saven, hvis spaltekniven er bøjet.** Selv en lettere forstyrrelse kan forsinke skjoldets lukkehastighed.

## Restrisici.

Der kan opstå yderligere restrisici under brugen af værktøjet, som ikke kan medtages i vedlagte sikkerhedsadvarsler. Disse risici kan opstå pga. forkert anvendelse, langvarig brug etc. Selv ved overholdelse af relevante sikkerhedsforskrifter og anvendelse af sikkerhedsudstyr kan visse restrisici ikke undgås. Disse omfatter:

- ◆ Tilskadekomst forårsaget af berøring af roterende/bevægelige dele.
- ◆ Tilskadekomst forårsaget af udskiftning af dele, klinger eller tilbehør.
- ◆ Tilskadekomst forårsaget af langvarig brug af et værktøj. Husk at holde pause jævnligt ved brug af et værktøj i længere tid.
- ◆ Høreskader.
- ◆ Sundhedsrisici forårsaget af indånding af støv, der genereres ved brug af værktøjet (eksempel: arbejde med træ, især eg, bøg og MDF).

## Savklinge

- ◆ Brug ikke savklinger med en større eller mindre diameter end anbefalet. Se de tekniske data vedrørende korrekte klingestørrelser. Brug kun de klinger, der er angivet i denne vejledning, og som overholder EN 847-1.
- ◆ **Advarsel!** Benyt aldrig slibehjul.

## Andres sikkerhed

- ◆ Dette apparat må ikke bruges af personer (herunder børn) med nedsatte fysiske, sensoriske eller mentale evner eller manglende erfaring og viden, med mindre det sker under overvågning, eller der gives instruktion i brugen af apparatet af en person, der er ansvarlig for deres sikkerhed.
- ◆ Børn skal holdes under opsyn, så det sikres, at de ikke leger med værktøjet.

## Vibration

De angivne værdier for udsendelse af vibration anført under de tekniske data og overensstemmelseserklæringen er målt i henhold til standardtestmetoden i EN 60745 og kan bruges til at sammenligne ét værktøj med et andet. Den angivne værdi for udsendelse af vibration kan også bruges som en foreløbig vurdering af eksponeringen.

**Advarsel!** Værdien for udsendelse af vibration ved faktisk brug af elværktøjet kan afvige fra den angivne værdi afhængig af måden, værktøjet anvendes på. Vibrationsniveauet kan overstige det angivne niveau.

I vurderingen af eksponeringen for vibration med henblik på fastsættelse af sikkerhedsforanstaltninger som krævet i 2002/44/EF til beskyttelse af personer, der jævnligt anvender elværktøj i deres arbejde, skal der tages hensyn til de faktiske betingelser under brugen, og måden værktøjet bruges på, herunder alle arbejdsrytters elementer, f.eks. perioder, hvor værktøjet er slukket og kører i tomgang tillige med startperioderne.

## Mærkatet på værktøjet

Følgende symboler er anbragt på værktøjet:



**Advarsel!** Brugeren skal læse brugervejledningen for at reducere risikoen for tilskadekomst.

## Elektricitet og sikkerhed



Denne maskine er dobbelt isoleret. Derfor er jordledning ikke nødvendig. Kontroller altid, at strømforsyningen svarer til spændingen på typeskiltet.

- ◆ Hvis netledningen beskadiges, skal den udskiftes af producenten eller et autoriseret Stanley Fat Max-værksted, så farlige situationer undgås.

## Komponenter

Dette værktøj leveres med nogle af eller alle de følgende komponenter.

1. Tænd/sluk-kontakt
2. Låseknop
3. Hovedhåndtag
4. Sekundært håndtag
5. Spindellåsknap
6. Sål
7. Savklinge
8. Savklingeskjold
9. Spaltekniv
10. Udtag til savsmuld

## Samling

**Advarsel!** Sørg for at værktøjet er afbrudt, stikket taget ud, og at savklingen er standset, inden nogle af de følgende funktioner foretages.

## Montering og afmontering af en savklinge (fig. A)

### Afmontering

- ◆ Hold spindellåsknappen (5) nedtrykket, og drej klingen, indtil spindellåsen aktiveres.
- ◆ Løsn og afmonter klingens holdeskruer (11) ved at dreje den mod uret med den medfølgende nøgle (12).
- ◆ Fjern den udvendige spændeskive (13).
- ◆ Fjern savklingen (7).

### Montering

- ◆ Anbring savklingen på den indvendige flange (14), idet det kontrolleres, at pilen på klingen peger i samme retning som pilen på værktøjet.
- ◆ Sæt den udvendige skive (13) på spindlen, så forhøjningen peger væk fra savklingen.
- ◆ Sæt klingens holdeskruer (11) ind i hullet.
- ◆ Hold spindellåsknappen (5) nedtrykket.
- ◆ Fastgør klingens holdeskruer ved at dreje den med uret med den medfølgende nøgle (12).
- ◆ Juster spaltekniven som beskrevet herunder.

## Justering af spaltekniven (fig. B)

Spaltekniven forhindrer, at savklingen sætter sig fast, når der saves på langs. Spaltekniven skal justeres efter udskiftning af savklingen.

- ◆ Løsn skruerne (15) med nøglen (12), mens spaltekniven holdes på plads.
- ◆ Anbring spaltekniven (9) som vist.
- ◆ Afstanden mellem tandremmen og spaltekniven skal være 2-3 mm.
- ◆ Højdeforskellen mellem tandremmen og spalteknivens laveste ende skal være 2-3 mm.
- ◆ Tilspænd skruerne.

## Montering og afmontering af parallelanslaget (fig. C)

- ◆ Parallelanslaget bruges, når der skal saves en lige linje parallelt med materialets kant.

### Montering

- ◆ Løsn låseknappen (16).
- ◆ Før parallelanslaget (17) gennem åbningerne (18).
- ◆ Skub parallelanslaget ind det ønskede sted.
- ◆ Tilspænd låseknappen.

## Afmontering

- ◆ Løsn låseknappen.
- ◆ Træk parallellanslaget af værktøjet.

## Anvendelse

**Advarsel!** Lad værktøjet arbejde i dets eget tempo. Det må ikke overbelastes.

Dette værktøj kan bruges i højre eller venstre hånd.

## Justering af savvinklen (fig. D)

- ◆ Kontroller vha. en vinkellineal, at vinklen mellem savklingen og skoen er 90°. Juster som følger, hvis vinklen ikke er 90°:
  - ◆ Løsn låseknappen (19) for at frigøre savskoen.
  - ◆ Løsn låsemøtrikken (20) på justerings skruen (21).
  - ◆ Skru justerings skruen ind eller ud for at opnå en vinkel på 90°.
  - ◆ Tilspænd låsemøtrikken igen.
  - ◆ Tilspænd låseknappen for at holde savskoen på plads.

## Justering af skæredybden (fig. E)

Skæredybden skal indstilles i overensstemmelse med materialets tykkelse. Den skal være ca. 2 mm tykkere.

- ◆ Løsn knappen (22) for at frigøre savskoen.
- ◆ Anbring savskoen (6) i den ønskede position. Den tilsvarende skæredybde kan aflæses på linealen (23).
- ◆ Stram knappen for at holde savskoen på plads.

## Justering af fasninklen (fig. F)

Dette værktøj kan indstilles til en skrå vinkel på mellem 0° og 45°.

- ◆ Løsn låseknappen (19) for at frigøre savskoen.
- ◆ Anbring savskoen (8) i den ønskede position. Den tilsvarende fasninkel kan aflæses på linealen (24).
- ◆ Tilspænd låseknappen for at holde savskoen på plads.

## Tænd og sluk

- ◆ Sæt låseknappen (2) på oplåst position, og tryk på tænd/sluk-kontakten (1) for at tænde værktøjet.
- ◆ Sluk for værktøjet ved at slippe tænd/sluk-kontakten.

## Savning

Hold altid værktøjet med begge hænder.

- ◆ Lad klingens løbe frit et par sekunder, inden du begynder at save.
- ◆ Tryk kun let med værktøjet, mens du skærer.
- ◆ Arbejd med sålen trykket mod materialet.

**Bemærk!** Vær omhyggelig med at sikre, at klingens spids ikke overophedes.

## Brug af sigteanordningen (fig. G)

Dette værktøj er forsynet med en sigteanordning til brug, når der skal skæres lige (25) og i en vinkel på 45° (26).

- ◆ Juster sigteanordningen som beskrevet nedenfor.
- ◆ Anbring sigteanordningens venstre kant (25) eller (26) ud for skærelinjen (27).
- ◆ Behold sigteanordningen ud for skærelinjen, mens der saves.
- ◆ Arbejd med sålen trykket mod materialet.

## Justering af sigteanordningen

- ◆ Sav halvvejs igennem et stykke affaldstræ for at afprøve justeringen.
- ◆ Træk saven tilbage, så skærelinjen (27) bliver synlig.
- ◆ Hold saven i denne position, og løsn sigteanordningen på savskoen som vist.
- ◆ Anbring mærket 0° (25) på sigteanordningen ud for skærelinjen (27). Anbring mærket 45° (26) på sigteanordningen ud for skærelinjen, når der justeres til en 45° vinkel.
- ◆ Fastgør sigteanordningen med skruen (28).

## Støvuvsugning

Der kræves en adapter for at slutte en støvsuger eller støvudsucker til værktøjet.

- ◆ Sæt støvudtagsadapteren i savens støvudtag (10).
- ◆ Sæt støvsugerslangen i adapteren.

## Gode råd til optimal brug

- ◆ Brug altid den rigtige type savklinge til materialet og formålet.
- ◆ Hold altid værktøjet med begge hænder.
- ◆ Lad klingens løbe frit et par sekunder, inden du begynder at save.
- ◆ Tryk kun let med værktøjet, mens du skærer.
- ◆ Arbejd med sålen trykket mod materialet.
- ◆ Sav fra den side, hvor der må forekomme splinter, da det er umuligt at undgå, at oversiden af materialet splintrer.
- ◆ Anbring et stykke krydsfiner oven på materialet, hvis splinter er uønsket, f.eks. når der saves i laminat.
- ◆ Understøt større plader for at minimere risikoen for, at klingens klemmes fast, og der opstår et tilbageslag. Større plader har en tendens til at bøje pga. deres vægt.
- ◆ Understøttelsen skal anbringes under pladen på begge sider i nærheden af skærestedet og i nærheden af kant på pladen, der skæres.
- ◆ Hold aldrig det emne, du saver i, i hånden eller over dine ben.
- ◆ Fastgør materialet til en stabil platform med klemmer. Det er vigtigt, at materialet understøttes tilstrækkeligt for at undgå, at kroppen kommer i kontakt med klingens løbe, og at klingens sætter sig fast eller kommer ud af kontrol.

## Tilbehør

Værktøjets ydeevne afhænger af det anvendte tilbehør. Tilbehør fra Stanley Fat Max er fremstillet efter høje kvalitetsstandarder og er designet til at forbedre dit værktøjs præstation. Når du bruger dette tilbehør, vil værktøjet yde optimalt.

## Vedligeholdelse

Dette værktøj er beregnet til brug gennem lang tid med et minimum af vedligeholdelse. Forsat tilfredsstillende drift afhænger af korrekt behandling af værktøjet samt regelmæssig rengøring.

**Advarsel!** Før der udføres vedligeholdelse, skal værktøjet slukkes og stikket trækkes ud.

- ◆ Rens jævnlgt værktøjets og laderens ventilationshuller med en blød børste eller en tør klud.
- ◆ Rengør med jævne mellemrum motorhuset med en fugtig klud. Der må ikke bruges skuremidler eller opløsningsmidler.

## Udskiftning af stik (kun Storbritannien og Irland)

Sådan monteres et nyt netstik:

- ◆ Det gamle stik skal bortskaffes på en sikker måde.
- ◆ Slut den brune ledning til den strømførende klemme på det nye stik.
- ◆ Slut den blå ledning til den neutrale klemme.

**Advarsel!** Der skal ikke foretages nogen tilslutning til jordklemmen. Følg de monteringsanvisninger, der leveres sammen med kvalitetsstik. Anbefalet sikring: 13 A.

## Miljøbeskyttelse



Separat bortskaffelse. Dette produkt må ikke bortskaffes sammen med almindeligt husholdningsaffald.

Når dit Stanley Fat Max-produkt en dag er udtjent, eller du ikke længere har brug for det, må du ikke smide det ud sammen med det almindelige affald. Produktet skal bortskaffes separat.



Ved separat bortskaffelse af brugte produkter og emballage bliver der mulighed for at genanvende forskellige materialer. Genanvendelse af materialer medvirker til at forebygge miljøforurening og mindsker behovet for råstoffer.

Lokal lovgivning kan kræve separat indsamling af elektriske husholdningsapparater på kommunale affaldsdepoter eller af den detailhandlende ved køb af et nyt produkt.

Stanley Europe sørger for at indsamle og genanvende Stanley Fat Max-produkter, når disse ikke længere kan bruges. Hvis du vil benytte dig af denne service, skal du returnere produktet til et autoriseret værksted, der indsamler produkterne for os.

Kontakt det lokale Stanley Europe-kontor på den adresse, der er opgivet i denne vejledning, for at få oplysninger om nærmeste autoriserede værksted. En liste over alle autoriserede Stanley Europe-serviceværksteder samt servicevilkår og kontaktpersoner er tilgængelig på internettet på adressen: [www.2helpU.com](http://www.2helpU.com)

## Tekniske data

FME300 (Type 1)	
Indgangsspænding	$V_{ac}$ 230
Indgangseffekt	W 1,600
Hastighed uden belastning	$min^{-1}$ 5,000
Maks. skæredybde	mm 65
Maks. skæredybde ved 45° fasvinkel	mm 50
Klingediameter	mm 190
Klingens huldiameter	mm 16
Klingens spidsbredde	mm 2,3
Vægt	kg 5,4

$L_{BA}$ (lydtryk) 94 dB(A), usikkerhed (K) 3 dB(A)
$L_{WA}$ (lydeffekt) 105 dB(A), usikkerhed (K) 3 dB(A)
Samlede værdier for vibration (triaksial vektorsum) i henhold til EN 60745:
Savning i træ ( $a_{h,W}$ ) 4,8 $m/s^2$ , usikkerhed (K) 1,5 $m/s^2$

**EU-overensstemmelseserklæring**

MASKINDIREKTIV



FME300

Stanley Europe erklærer, at produkterne beskrevet under "Tekniske data" er i overensstemmelse med:

2006/42/EF, EN 60745-1, EN 60745-2-5

Disse produkter er endvidere i overensstemmelse med direktiv 2004/108/EF og 2011/65/EU. Kontakt Stanley Europe på nedenstående adresse, eller se vejledningens bagside for

at få flere oplysninger.

Undertegnede er ansvarlig for udarbejdelsen af de tekniske data og fremsætter denne erklæring på vegne af Stanley

Europe.

Kevin Hewitt

Vice-President Global Engineering  
Stanley Europe, Egide Walschaertsstraat14-18,  
2800 Mechelen, Belgien  
07/10/2013

**Garanti**

Stanley Europe garanterer, at produktet er fri for skader og fejl, og tilbyder en fremragende garanti for erhvervsmæssige brugere af produktet. Garantien er et tillæg til forbrugers kontraktmæssige rettigheder og påvirker ikke disse som en privat ikke-erhvervsmæssig bruger. Garantien gælder inden for medlemsstaterne af den Europæiske Union og i det Europæiske Frihandelsområde.

**ET ÅRS FULD GARANTI**

Hvis dit Stanley Fat Max-produkt går i stykker på grund af materiel skade eller fabriktionsfejl inden for 12 måneder fra købsdatoen, påtager Stanley Europe sig gratis at udskifte alle defekte dele eller efter vores skøn gratis at udskifte enheden forudsat at:

- ◆ Produktet ikke har været anvendt forkert og har været anvendt i overensstemmelse med brugervejledningen.
- ◆ Produktet ikke har været udsat for andet end almindelig slitage;
- ◆ Reparationer ikke er udført af uautoriserede personer;
- ◆ Købsbeviset kan fremvises.
- ◆ Hele Stanley Fat Max-produktet returneres med alle originale komponenter

Hvis du ønsker erstatning for skade, skal du kontakte forhandleren eller det nærmeste autoriserede Stanley Fat Max-værksted i Stanley Fat Max-kataloget eller kontakte dit lokale Stanley-kontor på den adresse, der er opgivet i denne vejledning. På internettet findes en liste over alle autoriserede Stanley Fat Max-serviceværksteder samt servicevilkår på adressen: [www.stanley.eu/3](http://www.stanley.eu/3)

## Käyttötarkoitus

Stanley Fat Max -saha on suunniteltu puun ja puutuotteiden sahaamiseen. Työkalu on tarkoitettu sekä ammatti- että yksityiskäyttöön.

## Turvallisuusohjeet

### Sähkötyökalujen yleiset turvavaroitukset



**Varoitus!** Lue kaikki turvavaroitukset ja ohjeet. Alla olevien varoitusten ja ohjeiden noudattamisen laiminlyönti saattaa johtaa sähköiskuun, tulipaloon ja/tai vakavaan loukkaantumiseen.

### Säästä kaikki varoitukset ja ohjeet tulevaa käyttöä varten.

Ohjeissa käytetty käsite "sähkötyökalu" tarkoittaa verkkoikäyttöisiä sähkötyökaluja (verkkojohdolla varustettuja) ja akkukäyttöisiä sähkötyökaluja (ilman verkkojohtoa).

#### 1. Työalueen turvallisuus

- Pidä työalue puhtaana ja hyvin valaistuna.** Työpaikan epäjärjestys ja valaisemattomat työalueet voivat johtaa tapaturmiin.
- Älä käytä sähkötyökalua räjähdysalttiissa ympäristössä, jossa on palavaa nestettä, kaasua tai pölyä.** Sähkötyökalu muodostaa kipinöitä, jotka saattavat sytyttää pölyn tai höyryt.
- Pidä lapset ja sivulliset loitolla sähkötyökalua käyttäessäsi.** Voit menettää laitteesi hallinnan huomiosi suuntautuessa muualle.

#### 2. Sähköturvallisuus

- Sähkötyökalun pistokkeen on sovitava pistorasiaan.** Pistoketta ei saa muuttaa millään tavalla. Älä käytä mitään pistorasiasovittimia maadoitettujen sähkötyökalujen kanssa. Alkuperäiset pistokkeet ja niille sopivat pistorasiat vähentävät sähköiskun vaaraa.
- Vältä koskettamasta maadoitettuja pintoja, kuten putkia, pattereita, liesiä tai jääkaappeja.** Sähköiskun vaara kasvaa, jos vartalosi on maadoitettu.
- Älä altista sähkötyökalua sateelle tai kosteudelle.** Veden tunkeutuminen sähkötyökalun sisään kasvattaa sähköiskun riskiä.
- Älä käsittele virtajohtoa kovakouraisesti. Älä käytä sitä sähkötyökalun kantamiseen, vetämiseen tai pistokkeen irrottamiseen pistorasiasta.** Pidä johto loitolla kuumuudesta, öljystä, terävistä reunoista ja liikkuvista osista. Vahingoittuneet tai sotkeutuneet johdot lisäävät sähköiskun vaaraa.
- Käyttäessäsi sähkötyökalua ulkona käytä ainoastaan ulkokäyttöön soveltuvaa jatkojohtoa.** Ulkokäyttöön soveltuvan jatkojohdon käyttö pienentää sähköiskun vaaraa.

- Jos sähkötyökalua on välttämättä käytettävä kosteassa paikassa, käytä jäännösvirtalaitteella (RCD) suojattua virtalähdettä.** Jäännösvirtalaitteen käyttö vähentää sähköiskun vaaraa.

#### 3. Henkilöturvallisuus

- Keskity työskentelyysi ja noudata tervettä järkeä käyttäessäsi sähkötyökaluja. Älä käytä sähkötyökalua, jos olet väsynyt tai huumeiden, alkoholin tai lääkkeiden vaikutuksen alaisena.** Hetken tarkkaamattomuus sähkötyökalua käytettäessä saattaa johtaa vakavaan loukkaantumiseen.
- Käytä henkilökohtaisia suojavarusteita. Käytä aina suojalaseja.** Suojavarusteet, kuten hengityssuojain, luistamattomat turvajalkineet, kypärä ja kuulosuojaimet, pienentävät loukkaantumisriskiä, jos niitä käytetään tilanteen mukaan oikein.
- Vältä tahatonta käynnistämistä. Varmista, että virta on katkaistu käyttökytkimellä, ennen kuin liität laitteen virtalähteeseen ja/tai akkuun, nosta laitteen tai kannat sitä.** Onnettomuusvaara lisääntyy, jos kannat sähkötyökalua sormi käyttökytkimellä tai kytket työkalun virtajohdon pistorasiaan, kun käyttökytkin on päällä.
- Irrota mahdollinen säätö- tai kiintoavain, ennen kuin käynnistät sahan.** Työkalu tai avain, joka sijaitsee sähkötyökalun pyörivässä osassa, saattaa johtaa loukkaantumiseen.
- Älä kirkota liian kauas. Seiso aina tukevasti ja tasapainossa.** Niin voit paremmin hallita sähkötyökalua odottamattomissa tilanteissa.
- Käytä tarkoitukseen soveltuvia vaatteita. Älä käytä löysiä työvaatteita tai koruja. Pidä hiukset, vaatteet ja käsineet loitolla liikkuvista osista.** Väljät vaatteet, korut ja pitkät hiukset voivat takertua liikkuviin osiin.
- Jos laitteeseen voi kiinnittää pölynkerääjän tai -imurin, tarkista, että se on paikallaan ja että se toimii kunnolla.** Pölynimurin käyttö voi vähentää pölyn aiheuttamia vaaroja.

#### 4. Sähkötyökalujen käyttö ja hoito

- Älä ylikuormita sähkötyökalua. Käytä kulloiseinkin työhön parhaiten soveltuvaa sähkötyökalua.** Sopivaa sähkötyökalua käyttäen työskentelet paremmin ja turvallisemmin tehoalueella, jolle sähkötyökalu on tarkoitettu.
- Älä käytä sähkötyökalua, jota ei voida käynnistää ja pysäyttää virtakytkimestä.** Jos sähkötyökalua ei voi käynnistää ja pysäyttää virtakytkimellä, se on vaarallinen ja se täytyy korjata.




- c. **Irrota pistotulppa pistorasiasta ja/tai akku sähkötyökalusta, ennen kuin suoritat säätöjä, vaihdat tarvikkeita tai siirrät sähkötyökalun varastoitavaksi.** Nämä turvatoimenpiteet pienentävät sähkötyökalun tahattoman käynnistämisen riskiä.
- d. **Säilytä sähkötyökalut poissa lasten ulottuvilta, kun niitä ei käytetä. Älä anna sähkötyökalua sellaisen henkilön käyttöön, joka ei tunne sitä tai joka ei ole tutustunut tähän käyttöohjeeseen.** Sähkötyökalut ovat vaarallisia, jos niitä käyttävät kokemattomat henkilöt.
- e. **Hoida sähkötyökalusi huolella. Tarkista, että liikkuvat osat toimivat moitteettomasti ja etteivät ne ole puristuksessa. Tarkista myös, ettei työkalussa ei ole murtuneita tai vahingoittuneita osia, jotka saattaisivat vaikuttaa haitallisesti sen toimintaan. Korjauta mahdolliset viat ennen käyttöönottoa.** Moni tapaturma aiheutuu huonosti huolletuista laitteista.
- f. **Pidä leikkausterät terävinä ja puhtaina.** Huolellisesti hoidetut leikkausterät, joiden leikkausreunat ovat teräviä, eivät tartu helposti kiinni, ja niitä on helpompi hallita.
- g. **Käytä sähkötyökaluja, tarvikkeita, vaihtotyökaluja jne. näiden ohjeiden mukaisesti. Ota tällöin huomioon työolosuhteet ja suoritettava toimenpide.** Sähkötyökalun käyttö muuhun kuin sille määrättyyn käyttöön saattaa johtaa vaarallisiin tilanteisiin.
5. **Huolto**
- a. **Korjauta sähkötyökalu koulutetulla ja ammattitaitoisella henkilöllä ja hyväksy korjauksiin vain alkuperäisiä varaosia.** Siten varmistat, että sähkötyökalu säilyy turvallisena.

## Sähkötyökalujen lisäturvavaroitukset



**Varoitus!** Turvaohjeet kaikille sahoille

### Leikkausmenettelyt

- a.  **Pidä kädet loitolla leikkausalueesta ja terästä. Pidä toinen käsi apukahvalla tai moottorin kotelolla.** Jos molemmat kädet pitävät sahasta kiinni, terä ei pääse leikkaamaan käsiä.
- b. **Älä kurota työkappaleen alapuolelle.** Suojus ei voi suojata sinua terältä työkappaleen alapuolella.
- c. **Sääädä leikkaussyvyys työkappaleen paksuutta vastaavaksi.** Työkappaleen alapuolella tulee näkyä alle puolet terän hampaasta.

- d. **Älä koskaan pidä leikattavaa kappaletta kädessä tai jalkojen päällä. Kiinnitä työkappale tukevaan alustaan.** Kappaleen riittävä tukeminen on tärkeää, jotta voidaan välttää kehon joutuminen vaaraan, terän jumiuminen tai hallinnan menetyks.
- e. **Pitele sähkötyökalua vain sen eristävästä tartuntakohdista, kun teet työtä, jossa terä voi osua piilossa olevaan sähköjohtoon tai sahan omaan virtajohtoon.** Kosketus jännitteisen johtimen kanssa tekee myös työkalun paljaista metalliosista jännitteisiä ja voi aiheuttaa sähköiskun käyttäjälle.
- f. **Käytä aina halkaisusahasvastetta tai suoraa reunaohjainta halkaisusahauksessa.** Tämä parantaa leikkauksen tarkkuutta ja vähentää terän jumiumisen vaaraa.
- g. **Käytä aina teriä, joissa on oikean kokoinen ja muotoinen (timanttii / pyöreä) kiinnitysreikä.** Sahan kiinnitykseen sopimattomat terät pyörivät epäkeskisesti ja aiheuttavat sahan hallinnan menetyksen.
- h. **Älä koskaan käytä vaurioituneita sahanterän kiinnityslaatoja tai -pulttia.** Terän aluslevyt ja pultit on suunniteltu erikseen tätä sahaa varten optimaalisen tehokkuuden ja turvallisuuden takaamiseksi.

## Lisäturvallisuusohjeet kaikille sahoille

### Takapotkun syyt ja siihen liittyvät varoitukset

- ◆ Takapotku on äkillinen reaktio, joka johtuu kiinni tarttuneesta, puristukseen jääneestä tai väärin suunnatusta sahanterästä, joka saa hallitsemattoman sahan ponnahtaa elementtiin ylös työkappaleesta käyttäjää kohti.
  - ◆ Kun terä joutuu puristuksiin tai jumiuutuu leikkauksen sulkeutuessa, terä pysähtyy ja moottorin liike työntää sahaa nopeasti taaksepäin kohti käyttäjää.
  - ◆ Jos sahanterä kääntyy tai suunnataan väärin sahausurassa, saattavat sahanterän takareunan hampaat tarttua työkappaleen yläpintaan, jolloin sahanterä kiipeää ylös urasta ja saha hypähtää käyttäjää kohti.
- Takapotku on seurausta sahan väärinkäytöstä ja/tai vääristä käyttötavoista tai -ympäristöstä ja se voidaan välttää noudattamalla alla kuvattuja varotoimia.

- a. **Ota tukeva ote sahasta molemmin käsin ja pidä käsivartesi sellaisessa asennossa, että voit torjua takapotkuvoimat. Pidä vartalosi terän jommallakummalla puolella, mutta ei suoraan samalla linjalla terän kanssa.** Takapotku voi saada sahan hyppäämään taaksepäin, mutta käyttäjä voi hallita takapotkuvoimia, jos asiaankuuluvia varotoimia noudatetaan.

- b. Jos terä on jumiummassa tai jos sahaaminen keskeytetään mistä tahansa syystä, päästä irti liipaisimesta äläkä liikuta sahaa työkappaleessa, kunnes terä on kokonaan pysähtynyt. Älä koskaan koeta vetää sahanterää ylös työkappaleesta tai taaksepäin niin kauan kuin sahanterä pyörii, sillä se saattaa johtaa takapotkuun. Selvitä terän jumiumutukseen johtanut syy ja poista se.
- c. Kun käynnistät sahan uudelleen työkappaleessa, aseta sahanterä leikkausuran keskelle ja tarkista, että hampaat eivät ole puretuneet kappaleeseen. Jos sahanterä on puristuksessa, se saattaa kivetä ylös työkappaleesta tai aiheuttaa takapotkun, kun saha käynnistetään.
- d. Kannattelee suuria paneeleita terän jumiumutuksen ja takapotkun riskin minimoimiseksi. Suuret paneelit taipuvat usein notkolle omasta painostaan. Levyt tulee tukea molemmilta puolilta, sekä sahanterän vierestä että levyn reunoista.
- e. Älä käytä tylsiä tai vioittuneita teriä. Teroittamattomat tai väärin asetetut terät synnyttävät kapean leikkausuran, joka aiheuttaa ylimääräistä kitkaa, terän jumiumutusta ja takapotkuja.
- f. Terän syvyyden ja vinokulman säädön lukitusvipujen täytyy olla hyvin suljettuja ennen sahausta. Jos terän säädöt liikkuvat sahausken aikana, voi tapahtua jumiumutuksia tai takapotkuja.
- a. Ole erityisen varovainen, kun sahaat valmiiseen seinään tai muuhun tuntemattomaan paikkaan. Ulostyöntävä sahanterä voi leikata esineitä, jotka aiheuttavat takapotkun.

### Alasuojuksen toiminta

- a. Tarkista alasuojuksen oikea sulkeutuminen ennen jokaista käyttöä. Älä käytä sahaa, jos alasuojuus ei liiku vapaasti tai jos se ei sulkeudu välittömästi. Älä koskaan kiinnitä tai lukitse alasuojuusta avoimeen asentoon. Jos saha putoaa vahingossa, alasuojuus saattaa taipua. Nosta alasuojuusta kahvasta ja tarkista, että se liikkuu vapaasti eikä kosketa terää tai muuta osaa missään leikkaussuunnassa tai syvyydessä.
- b. Tarkista alasuojuksen jousen toiminta. Jos suojuus tai jousi eivät toimi oikein, ne tulee huoltaa ennen käyttöä. Alasuojuus voi toimia verkkaaisesti, jos osat ovat vioittuneet tai jos siihen on tarttunut tahmeita aineita tai roskaa.
- c. Alasuojuusta tulee vetää käsin vain, jos ollaan tekemässä sukellussahauksia tai yhdistettyjä sahausia. Nosta alasuojuusta kahvasta ja päästä alasuojuksesta irti heti, kun terä koskettaa työstettävää materiaalia. Kaikissa muissa sahausissa alasuojuksen tulee toimia automaattisesti.

- d. Varmista aina, että alasuojuus peittää terän, ennen kuin lasket sahan penkille tai lattialle. Suojaamaton jälkikäyvä sahanterä kuljettaa sahaa taaksepäin ja sahaa kaiken, mikä osuu sen tielle. Ota huomioon terän pysähtymiseen tarvittava aika sen jälkeen, kun kytkimestä on päästetty irti.

### Halkaisuveitsen toiminta

- a. Käytä halkaisuveitsen sopivaa sahanterää. Jotta halkaisuveitsi toimisi, terän rungon on oltava halkaisuveistä kapeampi ja terän leikkuuleveyden on oltava halkaisuveitsen paksuutta suurempi.
- b. Säädä halkaisuveistä käyttöohjeessa selostetulla tavalla. Halkaisuveitsen virheellinen sijoittelu ja kohdistus voi haitata takapotkun estämistä.
- c. Käytä aina halkaisuveistä paitsi sukellussahauksessa. Halkaisuveitsi tulee laittaa takaisin paikoilleen sukellussahauksen jälkeen. Halkaisuveitsi häiritsee sukellussahausta ja voi aiheuttaa takapotkun.
- d. Halkaisuveitsen tulee sijaita sahausurassa, jotta se toimii. Halkaisuveitsi ei kykene estämään takapotkua lyhyiden sahausten aikana.
- e. Älä käytä sahaa, jos halkaisuveitsi on taipunut. Pienikin häiriö voi hidastaa suojan sulkeutumisnopeutta.

### Muut riskit.

Muut kuin turvavaroituksissa mainitut riskit ovat mahdollisia työkalua käytettäessä. Nämä riskit voivat liittyä muun muassa virheelliseen tai pitkäaikaiseen käyttöön. Tiettyjä jännönsrkejä ei voi välttää, vaikka noudatetaan kaikkia turvamääräyksiä ja käytät turvalaitteita. Näihin kuuluvat muun muassa

- ◆ pyörievien tai liikkuvien osien koskettamisen aiheuttamat vahingot
- ◆ osia, teriä tai lisävarusteita vaihdettaessa aiheutuneet vahingot
- ◆ työkalun pitkäaikaisen käytön aiheuttamat vahingot Kun käytät työkalua pitkään, varmista, että pidät säännöllisesti taukoja.
- ◆ kuulovauriot
- ◆ työkalua käytettäessä (esimerkiksi puuta, erityisesti tammea, pyökkiä ja MDF-levyjä, käsiteltäessä) syntyneen pölyn sisäänhengityksen aiheuttamat terveysriskit.

### Sahanterät

- ◆ Älä käytä teriä, joiden halkaisija on suositusta suurempi tai pienempi. Katso terien ohjeavrot teknisistä tiedoista. Käytä vain tässä oppaassa kuvattuja teriä, jotka ovat EN 847-1 -standardin mukaisia.
- ◆ Varoitus! Älä koskaan käytä hiomalaikkoja.

## Muiden turvallisuus

- ◆ Tätä laitetta ei ole tarkoitettu sellaisten henkilöiden käyttöön, joilla on fyysisiä tai älyllisiä rajoitteita tai aistirajoitteita, eikä laitteen toimintaan perehtymättömien henkilöiden käyttöön (lapset mukaan luettuina), paitsi valvonnan alaisina tai jos he ovat saaneet laitteen käyttöön liittyvää opastusta heidän turvallisuudestaan vastaavalta henkilöltä.
- ◆ Lapsia on valvottava ja heitä on estettävä leikkimästä laitteella.

## Tärinä

Teknisissä tiedoissa ja vaatimustenmukaisuusilmoituksessa ilmoitettu tärinäpäästöarvo on mitattu standardin EN 60745 testausmenetelmän mukaisesti, ja sen avulla voidaan vertailla työkaluja keskenään. Ilmoitettua tärinäpäästöarvoa voidaan käyttää myös altistumisen alustavaan arviointiin.

**Varoitus!** Sähkötyökalun käytön aikana mitattu todellinen tärinäpäästöarvo voi poiketa ilmoitetusta tärinäpäästöarvosta työkalun käyttötavan mukaan. Tärinätasoa voi olla ilmoitettua tasoa suurempi.

Kun tärinälle altistumista arvioidaan sen määrittämiseksi, mitä direktiivin 2002/44/EY mukaisia turvatoimenpiteitä vaaditaan sähkötyökaluja säännöllisesti käyttävien henkilöiden suojelemiseksi, tärinälle altistumisen arvioinnissa on otettava huomioon todelliset käyttöolosuhteet ja työkalun käyttötavat. Todellisen käytön lisäksi on kiinnitettävä huomiota myös siihen, milloin työkalu on sammutettuna tai se käy tyhjäkäynnillä.

## Laitteessa olevat merkinnät

Työkalussa on seuraavat kuvamerkinnot:



**Varoitus!** Käyttäjän on luettava käyttöohje vaarallisten välikappaleiden välttämiseksi.

## Sähköturvallisuus



Tämä laite on kaksoiseristetty, joten erillistä maadoitusta ei tarvita. Tarkista aina, että virtalähde vastaa arvokilvessä ilmoitettua jännitettä.

- ◆ Jos virtajohto vahingoittuu, sen vaihtaminen on turvallisuussyistä jätettävä valmistajan tai valtuutetun Stanley Fat Max -huoltoliikkeen tehtäväksi.

## Yleiskuvaus

Tässä työkalussa on joitakin tai kaikki seuraavista ominaisuuksista.

1. Virtakytkin
2. Lukituspainike
3. Pääkahva
4. Lisäkahva
5. Karan lukituspainike
6. Sahausjalka
7. Sahanterä
8. Sahanterän suoja
9. Halkaisuveitsi
10. Polynpoistoaukko

## Kokoaminen

**Varoitus!** Ennen kuin yrität suorittaa mitään seuraavista toimenpiteistä, varmista, että työkalun virta on katkaistu, sähköpistoke on irrotettu sähköverkosta ja sahanterä on pysähtynyt.

## Sahanterän poisto ja kiinnitys (kuva A)

### Irrottaminen

- ◆ Pidä karan lukituspainiketta (5) painettuna ja kierrä terää, kunnes karalukko lukkiutuu.
- ◆ Löysää ja irrota terän kiinnitysruuvi (11) kiertämällä sitä vastapäivään koneen mukana toimitetulla avaimella (12).
- ◆ Poista ulompi aluslaatta (13).
- ◆ Irrota sahanterä (7).

### Kiinnittäminen

- ◆ Aseta sahanterä sisemmän laipan (14) päälle ja tarkista, että terässä oleva nuoli osoittaa samaan suuntaan kuin koneessa oleva nuoli.
- ◆ Kiinnitä ulompi aluslaatta (13) karaan siten, että korotettu puoli on pois päin sahanterästä.
- ◆ Aseta terän kiinnitysruuvi (11) reikään.
- ◆ Pidä karan lukituspainiketta (5) painettuna.
- ◆ Kiristä terän kiinnitysruuvi kunnolla kiertämällä sitä myötäpäivään koneen mukana toimitetulla avaimella (12).
- ◆ Säädä halkaisuveitsiä alla kuvatulla tavalla.

## Halkaisuveitsen säätäminen (kuva B)

Halkaisuveitsi estää sahanterän juuttumisen halkaisu-sahauksessa. Halkaisuveitsiä on säädettävä sahanterän vaihdon jälkeen.

- ◆ Löysää ruuveja (15) avaimella (12) ja pidä samalla halkaisuveitsiä paikallaan.
- ◆ Aseta halkaisuveitsi (9) kuvassa näkyvällä tavalla.
- ◆ Hampaan ja halkaisuveitsen välisen etäisyyden tulee olla 2–3 mm.

- ◆ Hampaan ja halkaisuveitsen alemman pään välisen korkeuseron tulee olla 2–3 mm.
- ◆ Kiristä ruuvit.

### Sivuohjaimen kiinnitys ja poisto (kuva C)

- ◆ Sivuohtainta käytetään, kun halutaan sahata suoraan työstökappaleen reunan suuntaisesti.

### Kiinnittäminen

- ◆ Löysää lukitusnuppia (16).
- ◆ Työnnä sivuohtainta (17) aukkojen (18) läpi.
- ◆ Työnnä sivuohtainta haluamaasi kohtaan.
- ◆ Kiristä lukitusnuppi.

### Irrottaminen

- ◆ Löysää lukitusnuppia.
- ◆ Irrota sivuohtainta työkalusta.

### Käyttö

**Varoitus!** Anna työkalun käydä omaan tahtiinsa. Älä ylikuormita sitä.

Tätä konetta voidaan käyttää oikealla tai vasemmalla kädellä.

### Sahauskulman säätäminen (kuva D)

- ◆ Tarkista kolmioviivainta käyttämällä, että sahanterän ja sahausjalan välinen kulma on 90°. Ellei kulma ole 90°, säädä sitä seuraavasti:
  - ◆ Avaa sahausjalan lukitus löysäämällä lukitusnuppia (19).
  - ◆ Löysää säätöruuvia (21) päällä oleva lukkomutteri (20).
  - ◆ Ruuvaa säätöruuvia sisään tai ulos 90° kulman aikaansaamiseksi.
  - ◆ Kiristä lukkomutteri.
  - ◆ Lukitse sahausjalka paikalleen kiristämällä lukitusnuppia.

### Sahaussyvyyden säätö (kuva E)

Sahaussyvyys säädetään työstökappaleen paksuuden mukaisesti. Syvyyden tulee olla noin 2 mm enemmän kuin kappaleen paksuus.

- ◆ Avaa sahausjalan lukitus löysäämällä nuppia (22).
- ◆ Siirrä sahausjalka (6) haluamaasi asentoon. Lue leikkusyvyyden asteikolta (23).
- ◆ Lukitse sahausjalka paikalleen kiristämällä nuppia.

### Vinosahauskulman säätäminen (kuva F)

Tämän koneen vinosahauskulma voidaan säätää välillä 0°–45°.

- ◆ Avaa sahausjalan lukitus löysäämällä lukitusnuppia (19).
- ◆ Siirrä sahausjalka (8) haluamaasi asentoon. Lue vinosahauskulman asteikolta (24).
- ◆ Lukitse sahausjalka paikalleen kiristämällä lukitusnuppia.

### Käynnistäminen ja pysäyttäminen

- ◆ Käynnistä kone painamalla lukituspainike (2) avausasentoon ja paina virrankatkaisijaa (1).
- ◆ Sammuta laite vapauttamalla virtakytkin.

### Sahaus

Pitele työkalua aina kahdella kädellä.

- ◆ Anna terän liikkua vapaasti muutaman sekunnin ajan, ennen kuin aloitat sahaamisen.
- ◆ Paina työkalua vain kevyesti, kun sahaat.
- ◆ Paina sahausjalkaa työkalua vasten.

**Huomautus:** Varo, että terän kärjet eivät pääse ylikuumentumaan.

### Näköohjaimen käyttäminen (kuva G)

Kone on varustettu näköohjaimella suoraan sahausta (25) ja 45°:n vinosahausta (26) varten.

- ◆ Säädä näköohjainta (15) alla kuvatulla tavalla.
- ◆ Kohdistat ohjaimen (25) tai (26) vasen reuna sahauslinjaan (27).
- ◆ Sahatessasi pidä näköohjainta (15) sahauslinjassa.
- ◆ Paina sahausjalkaa työkalua vasten.

### Näköohjaimen säätäminen

- ◆ Suorita testisahausta sahaamalla jätepuun palanen puoleenväliin asti.
- ◆ Vedä saha pois, niin että sahauslinja (27) tulee näkyviin.
- ◆ Pidä saha tässä asennossa ja löysää sahausjalan näköohjainta kuvan osoittamalla tavalla.
- ◆ Aseta sahausohjaimen 0°-merkki (25) kohdakkain sahauslinjan (27) kanssa. Kun säädät sahaa 45°:n vinosahausta varten, kohdistat näköohjaimen 45°:n merkki (26) sahauslinjan kanssa.
- ◆ Kiinnitä näköohjainta ruuvilla (28).

### Pölyn poisto

Pölynimurin tai pölynimulaitteen yhdistämiseksi laitteeseen tarvitaan sovitin.

- ◆ Aseta pölynimulaitteen sovitin pölynpoistaukkoon (10).
- ◆ Kytke pölynimurin letku sovittimeen.

### Vinkkejä parhaimman tuloksen saavuttamiseksi

- ◆ Käytä työstettävään materiaaliin soveltuvaa sahanterää, jolla saat haluamasi sahausjäleen.
- ◆ Pitele työkalua aina kahdella kädellä.
- ◆ Anna terän liikkua vapaasti muutaman sekunnin ajan, ennen kuin aloitat sahaamisen.
- ◆ Paina työkalua vain kevyesti, kun sahaat.
- ◆ Paina sahausjalkaa työkalua vasten.
- ◆ Työkappale voi lohkeilla sahattaessa. Sahaa siksi työkalua se puoli päällimmäisenä, joka saa lohkeilla.

- ◆ Jos lohkeilun pitää olla mahdollisimman vähäistä, esim. sahattaessa laminaattia, kiinnitä pala vaneria työkap-paleen päälle.
- ◆ Kannattele suuria paneeleita terän jumiutumisen ja takapotkun riskin minimoimiseksi. Suuret paneelit taipuvat usein notkolle omasta painostaan.
- ◆ Levyt tulee tukea molemmilta puolilta, sekä sahanterän vierestä että leikattavan levyn reunoista.
- ◆ Älä koskaan pidä leikattavaa kappaletta kädessä tai jalkojen päällä.
- ◆ Kiinnitä työkappale puristimien avulla tukevaan alustaan. Kappaleen riittävä tukeminen on tärkeää, jotta voidaan välttää kehon joutuminen vaaraan, terän jumiutuminen tai hallinnan menetyk.



Käytettyjen tuotteiden ja pakkausmateriaalien erilliskeruun avulla materiaalit voidaan kierrättää ja käyttää uudelleen. Kierrätysmateriaalien käyttö auttaa vähentämään ympäristön saastumista ja uusien raaka-aineiden tarvetta.

Paikallisissa säädöksissä voidaan määrätä, että kodin sähkötuotteiden keruu tapahtuu kaupunkien jätteidenkäsittely-yasemilla tai laitteita myyvissä liikkeissä uuden tuotteen oston yhteydessä.

Stanley Europe kerää ja kierrättää Stanley Fat Max -tuotteet, kun ne ovat tulleet elinkaarensa loppuun. Vie tuotteesi valtuutettuun huoltoliikkeeseen, joka kerää vanhat laitteet puolestamme.

Saat valtuutettujen huoltoliikkeiden yhteystiedot ottamalla yhteyttä paikalliseen Stanley Europan toimipisteeseen tässä käyttöoppaassa ilmoitetussa osoitteessa. Valtuutettujen Stanley Europe -huoltoliikkeiden yhteystiedot sekä lisätietoja palveluistamme on myös Internetissä osoitteessa [www.2helpU.com](http://www.2helpU.com).

## Tekniset tiedot

	FME300 (Tyyppi 1)	
Syöttöjännite	$V_{ac}$	230
Ottoteho	W	1,600
Kuormittamaton nopeus	$min^{-1}$	5,000
Suurin sahausyvyvyys	mm	65
Suurin leikkuusyvyvyys 45° kulmalla	mm	50
Terän halkaisija	mm	190
Terän sisäläpimitta	mm	16
Terän hampaan leveys	mm	2.3
Paino	kg	5.4

$L_{pA}$ (äänenpaine) 94 dB(A), epävarmuus (K) 3 dB(A)
$L_{WA}$ (äänitehotaso) 105 dB(A), epävarmuus (K) 3 dB(A)
Tärinän kokonaisarvot (vektorisumma) standardin EN 60745 mukaisesti:
Leikattaessa puuta ( $a_{h,w}$ ) 4.8 $m/s^2$ , epävarmuus (K) 1.5 $m/s^2$

## Lisävarusteet

Työkalun suorituskyky riippuu käytetystä lisävarusteesta. Stanley Fat Max -lisävarusteet on valmistettu korkealaatuisiksi ja suunniteltu parantamaan työkalun suorituskykyä. Käyttämällä näitä lisävarusteita saat työkalustasi parhaan hyödyn.

## Huolto

Tämä työkalu on suunniteltu toimimaan mahdollisimman pitkän aikaa mahdollisimman vähällä huollolla. Oikealla huollolla ja säännöllisellä puhdistuksella työkalu säilyttää suorituskykynsä.

**Varoitus!** Katkaise työkalusta virta ja irrota virtajohto pistorasista aina ennen huoltotoimenpiteitä.

- ◆ Puhdista työkalun ja laturin ilma-aukot säännöllisesti pehmeällä harjalla tai kuivalla liinalla.
- ◆ Puhdista moottorin kotelo säännöllisesti kostealla liinalla. Älä koskaan käytä puhdistamiseen liuotainaineita tai syövyttäviä puhdistusaineita.

## Virtapistokkeen vaihto (vain Iso-Britannia ja Irlanti)

Jos joudut vaihtamaan virtapistokkeen:

- ◆ Hävitä vanha pistoke ympäristöstävällisesti.
- ◆ Liitä ruskea johto uuden pistokkeen jännitteeseen napaan.
- ◆ Liitä sininen johto tähtipisteliittimeen.

**Varoitus!** Maadoitusliittimeen ei liitetä johtoa. Noudata pistokkeen mukana toimitettuja kiinnitysohjeita. Suositeltava sulake: 13 A.

## Ympäristönsuojelu



Erillinen keräys. Tätä tuotetta ei saa hävittää normaalin kotitalousjätteen mukana.

Kun Stanley Fat Max -laitteesi aikanaan täytyy vaihtaa tai ei kelpaa enää käyttöön, älä hävitä laitetta kotitalousjätteen mukana. Toimita laite kierrätettäväksi.

**EY-vaatimustenmukaisuusvakuutus**

KONEDIREKTIIVI



FME300

Stanley Europe ilmoittaa, että tuotteet, jotka on kuvattu kohdassa Tekniset tiedot, täyttävät seuraavien direktiivien vaatimukset:

2006/42/EY, EN 60745-1, EN 60745-2-5

Nämä tuotteet täyttävät myös direktiivien 2004/108/EY ja 2011/65/EU vaatimukset. Lisätietoja saa ottamalla yhteyttä Stanley Europeen seuraavassa osoitteessa. Tiedot ovat myös käyttöoppaan takakannessa.

Allekirjoittanut vastaa teknisten tietojen kokoamisesta ja antaa tämän ilmoituksen Stanley European puolesta.

Kevin Hewitt  
Vice-President Global Engineering  
Stanley Europe, Egide Walschaertsstraat 14-18,  
2800 Mechelen, Belgium  
07/10/2013

**Takuu**

Stanley Europe takaa, ettei tuotteessa ole materiaali- ja/tai valmistusvikaa silloin, kun se toimitetaan ostajalle ammattikäyttöön. Takuu on lisäksi yksityisen ammattikäyttäjän sopimusoikeuksiin eikä se vaikuta niihin. Takuu on voimassa Euroopan unionin jäsenmaissa ja Euroopan vapaakauppa-alueella (EFTA).

**YHDEN VUODEN TÄYDELLINEN TAKUU**

Mikäli Stanley Fat Max -tuotteessa ilmenee vika materiaali- ja/tai valmistusvirheen vuoksi 12 kuukauden kuluessa ostopäivästä, Stanley Europe takaa vaihtavansa vialliset osat tai koko tuotteen Stanley European valinnan mukaan ilman kustannuksia ostajalle edellyttäen, että

- ◆ tuotetta ei ole käytetty virheellisesti, vaan sitä on käytetty käyttöoppaan ohjeiden mukaisesti
- ◆ tuote on altistunut vain normaaliille kulumiselle
- ◆ tuotetta ei ole korjannut valtuuttamaton henkilö
- ◆ ostokuitti esitetään
- ◆ Stanley Fat Max -tuote palautetaan kaikkien alkuperäisten osien kanssa.

Jos haluat tehdä korvausvaatimuksen, ota yhteyttä ostopaikkaan tai katso lähimmän valtuutetun Stanley Fat Max -huoltoliikkeen yhteystiedot Stanley Fat Max -tuoteluettelosta tai ota yhteyttä paikalliseen Stanley-toimipisteeseen tässä ohjeessa kerrotussa osoitteessa. Valtuutettujen Stanley Fat Max -huoltoliikkeiden yhteystiedot sekä lisätietoja palveluistamme on myös internetissä osoitteessa [www.stanley.eu/3](http://www.stanley.eu/3)

## Ενδεξιμένη χρήση

Το δισκοπρίονο σας Stanley Fat Max έχει σχεδιαστεί για το πρόιόνισμα ξύλου και προϊόντων ξύλου. Αυτό το εργαλείο προορίζεται για επαγγελματική και ιδιωτική, μη επαγγελματική χρήση.

## Οδηγίες ασφαλείας

### Γενικές προειδοποιήσεις ασφαλείας για τα ηλεκτρικά εργαλεία



**Προειδοποίηση!** Διαβάστε όλες τις προειδοποιήσεις ασφαλείας και όλες τις οδηγίες. Η μη τήρηση των παρακάτω προειδοποιήσεων και οδηγιών μπορεί να προκαλέσει ηλεκτροπληξία, πυρκαγιά ή/και σοβαρούς τραυματισμούς.

Φυλάξτε όλες τις προειδοποιήσεις και τις οδηγίες για μελλοντική αναφορά. Ο χαρακτηρισμός "ηλεκτρικό εργαλείο" που χρησιμοποιείται σε όλες τις παρακάτω προειδοποιήσεις αναφέρεται σε εργαλεία που συνδέονται στην πρίζα (με καλώδιο) ή σε εργαλεία που λειτουργούν με μπαταρία (χωρίς καλώδιο).

#### 1. Ασφάλεια χώρου εργασίας

- α. Διατηρείτε το χώρο εργασίας καθαρό και καλά φωτισμένο. Οι ακατάστατοι χώροι και τα σημεία χωρίς καλό φωτισμό προκαλούν ατυχήματα.
- β. Μην χρησιμοποιείτε ηλεκτρικά εργαλεία σε περιβάλλον όπου υπάρχει κίνδυνος έκρηξης, π.χ. παρουσία εύφλεκτων υγρών, αερίων ή σκόνης. Τα ηλεκτρικά εργαλεία μπορεί να δημιουργήσουν σπινθηρισμό ο οποίος μπορεί να αναφλέξει τη σκόνη ή τις αναθυμιάσεις.
- γ. Όταν χρησιμοποιείτε το ηλεκτρικό εργαλείο, κρατάτε τα παιδιά και τα υπόλοιπα άτομα μακριά από το χώρο εργασίας. Εάν αποσπαστεί η προσοχή σας μπορεί να χάσετε τον έλεγχο.
2. Ασφαλής χρήση ηλεκτρικού ρεύματος
  - α. Το φως του καλωδίου του ηλεκτρικού εργαλείου πρέπει να ταιριάζει στην αντίστοιχη πρίζα. Δεν επιτρέπεται με κανέναν τρόπο η μετασκευή του φως. Μην χρησιμοποιείτε προσαρμοστικά φως με γειωμένα ηλεκτρικά εργαλεία. Τα φως που δεν έχουν υποστεί τροποποιήσεις και οι κατάλληλες πρίζες μειώνουν τον κίνδυνο ηλεκτροπληξίας.
  - β. Αποφύγετε την επαφή του σώματός σας με γειωμένες επιφάνειες όπως σωλήνες, θερμαντικά σώματα (καλοριφέρ), κουζίνες και ψυγεία. Όταν το σώμα σας είναι γειωμένο, αυξάνεται ο κίνδυνος ηλεκτροπληξίας.

- γ. Μην εκθέτετε τα ηλεκτρικά εργαλεία στη βροχή ή την υγρασία. Η εισχώρηση νερού στο ηλεκτρικό εργαλείο αυξάνει τον κίνδυνο ηλεκτροπληξίας.
- δ. Μην κακομεταχειρίζεστε το καλώδιο. Μην χρησιμοποιείτε ποτέ το καλώδιο για να μεταφέρετε το εργαλείο, να το τραβήξετε ή να το αποσυνδέσετε από την πρίζα. Κρατάτε το καλώδιο μακριά από θερμότητα, λάδια, αιχμηρά άκρα ή κινούμενα μέρη. Τυχόν χαλασμένα ή μπερδεμένα καλώδια αυξάνουν τον κίνδυνο ηλεκτροπληξίας.
- ε. Όταν χρησιμοποιείτε το ηλεκτρικό εργαλείο σε εξωτερικούς χώρους, να χρησιμοποιείτε πάντοτε καλώδια προέκτασης κατάλληλα για χρήση σε εξωτερικούς χώρους. Η χρήση καλωδίου προέκτασης κατάλληλου για εργασία σε εξωτερικούς χώρους μειώνει τον κίνδυνο ηλεκτροπληξίας.
- στ. Εάν η χρήση ενός ηλεκτρικού εργαλείου σε υγρή τοποθεσία είναι αναπόφευκτη, χρησιμοποιήστε μια Διάταξη Προστασίας Ρεύματος Διαρροής (RCD). Η χρήση διάταξης RCD μειώνει τον κίνδυνο ηλεκτροπληξίας.

### 3. Ασφάλεια προσώπων

- α. Όταν χρησιμοποιείτε το ηλεκτρικό εργαλείο, να είστε προσεκτικοί, να δίνετε προσοχή στην εργασία που κάνετε και να επιστρατεύετε την κοινή λογική. Μην χρησιμοποιείτε το ηλεκτρικό εργαλείο όταν είστε κουρασμένοι ή όταν βρίσκεστε υπό την επήρεια ναρκωτικών, οινόπνευματος ή φαρμάκων. Μια στιγμήα απροσεξία κατά το χειρισμό του ηλεκτρικού εργαλείου μπορεί να οδηγήσει σε σοβαρούς τραυματισμούς.
- β. Να χρησιμοποιείτε εξοπλισμό προσωπικής προστασίας. Να φοράτε πάντα προστατευτικά γυαλιά. Ο κίνδυνος τραυματισμών μειώνεται όταν χρησιμοποιείτε εξοπλισμό προστασίας, όπως μάσκα προστασίας από σκόνη, αντλιοθηκικά παπούτσια ασφαλείας, κράνη ή ωασιπίδες, ανάλογα με τις συνθήκες εργασίας.
- γ. Εμποδίστε την ακούσια ενεργοποίηση του εργαλείου. Βεβαιωθείτε ότι ο διακόπτης λειτουργίας βρίσκεται στη θέση "OFF" πριν συνδέσετε το εργαλείο στην πρίζα ή/και στην μπαταρία και πριν το σηκώσετε ή το μεταφέρετε. Η μεταφορά ηλεκτρικών εργαλείων με το δάχτυλό σας επάνω στο διακόπτη ή η σύνδεση στην πρίζα ηλεκτρικών εργαλείων με το διακόπτη στη θέση ενεργοποίησης, ενέχει κινδύνους πρόκλησης ατυχημάτων.
- δ. Πριν βέσετε το ηλεκτρικό εργαλείο σε λειτουργία, αφαιρέστε τυχόν εργαλεία ή κλειδιά ρύθμισης. Εάν αφήσετε ένα εργαλείο ή κλειδί πάνω σε κάποιο περιστρεφόμενο εξάρτημα ενός ηλεκτρικού εργαλείου μπορεί να προκληθούν τραυματισμοί.

- ε. Μην τευνώνεστε. Φροντίστε πάντοτε να έχετε την κατάλληλη στάση και να διατηρείτε την ισορροπία σας. Αυτό σας επιτρέπει τον καλύτερο έλεγχο του ηλεκτρικού εργαλείου σε περιπτώσεις απροσδόκητων καταστάσεων.
- στ. Φοράτε κατάλληλη ενδυμασία εργασίας. Μην φοράτε φαρδιά ρούχα ή κοσμήματα. Κρατάτε τα μαλλιά, τα ενδύματα και τα γάντια σας μακριά από τα κινούμενα εξαρτήματα. Τα φαρδιά ρούχα, τα κοσμήματα και τα μακριά μαλλιά μπορεί να εμπλακούν στα κινούμενα εξαρτήματα.
- ζ. Αν παρέχονται διατάξεις απαγωγής και συλλογής της σκόνης, βεβαιωθείτε ότι είναι συνδεδεμένες και ότι χρησιμοποιούνται σωστά. Η χρήση συλλογής σκόνης μειώνει τους κινδύνους που σχετίζονται με τη σκόνη.
4. Χρήση και φροντίδα του ηλεκτρικού εργαλείου
- α. Μην υπερφορτώνετε το ηλεκτρικό εργαλείο. Χρησιμοποιείτε για την εκάστοτε εργασία σας το ηλεκτρικό εργαλείο που προορίζεται για αυτήν. Με το κατάλληλο ηλεκτρικό εργαλείο, εργάζεστε καλύτερα και ασφαλέστερα στην ονομαστική περιοχή ισχύος του.
- β. Μην χρησιμοποιήσετε ποτέ ένα ηλεκτρικό εργαλείο του οποίου ο διακόπτης λειτουργίας είναι χαλασμένος. Οποιοδήποτε ηλεκτρικό εργαλείο του οποίου η λειτουργία δεν μπορεί να ελεγχθεί με το διακόπτη είναι επικίνδυνο και πρέπει να επισκευαστεί.
- γ. Βγάλετε το φως από την πρίζα ή/και την μπαταρία από το ηλεκτρικό εργαλείο, πριν διεξαγάγετε κάποια εργασία ρύθμισης, πριν αλλάξετε κάποιο αξεσουάρ ή όταν πρόκειται να αποθηκεύσετε τα ηλεκτρικά εργαλεία. Αυτά τα προληπτικά μέτρα ασφαλείας μειώνουν τον κίνδυνο να θεθεί το εργαλείο ακούσια σε λειτουργία.
- δ. Να φυλάτε τα ηλεκτρικά εργαλεία που δε χρησιμοποιείτε μακριά από παιδιά. Μην αφήνετε άτομα που δεν είναι εξοικειωμένα με το ηλεκτρικό εργαλείο ή που δεν έχουν διαβάσει αυτές τις οδηγίες χρήσης να το χρησιμοποιήσουν. Τα ηλεκτρικά εργαλεία είναι επικίνδυνα όταν χρησιμοποιούνται από άτομα χωρίς κατάλληλη εκπαίδευση.
- ε. Να συντηρείτε τα ηλεκτρικά εργαλεία. Ελέγξτε εάν τα κινούμενα εξαρτήματα είναι σωστά ευθυγραμμισμένα ή μήπως έχουν μπλοκάρει, μήπως έχουν σπάσει κομμάτια, καθώς και εάν πληρούνται όλες οι υπόλοιπες προϋποθέσεις που ενδεχομένως να επηρεάσουν τη σωστή λειτουργία του εργαλείου. Δώστε τυχόν χαλασμένα εξαρτήματα του ηλεκτρικού εργαλείου για επισκευή πριν το χρησιμοποιήσετε πάλι. Η ανεπαρκής συντήρηση των ηλεκτρικών εργαλείων αποτελεί αιτία πολλών ατυχημάτων.

στ. Διατηρείτε τα κοπτικά εργαλεία κοφτερά και καθαρά.

Τα κοπτικά εργαλεία με αιχμηρά κοπτικά άκρα που συντηρούνται σωστά έχουν λιγότερες πιθανότητες να μπλοκάρουν και ελέγχονται ευκολότερα.

ζ. Να χρησιμοποιείτε τα ηλεκτρικά εργαλεία, τα αξεσουάρ, τις μύτες εργαλείων κλπ. σύμφωνα με τις παρούσες οδηγίες, λαμβάνοντας υπόψη σας τις συνθήκες εργασίας και την εργασία που θέλετε να εκτελέσετε. Η χρήση του ηλεκτρικού εργαλείου για εργασίες πέρα από τις προβλεπόμενες μπορεί να οδηγήσει σε επικίνδυνες καταστάσεις.

## 5. Τεχνική εξυπηρέτηση

α. Εργασίες τεχνικής εξυπηρέτησης του ηλεκτρικού σας εργαλείου πρέπει να αναλαμβάνουν μόνο έμπειροι τεχνικοί και μόνο χρησιμοποιώντας γνήσια ανταλλακτικά. Έτσι εξασφαλίζεται η διατήρηση της ασφάλειας του ηλεκτρικού εργαλείου.

## Συμπληρωματικές προειδοποιήσεις ασφαλείας για τα ηλεκτρικά εργαλεία



**Προειδοποίηση!** Οδηγίες ασφαλείας για όλα τα διακοπρίονα

## Διαδικασίες κοπής

α.



Κρατήστε τα χέρια σας μακριά από την περιοχή κοπής και το δίσκο. Κρατάτε με το άλλο χέρι σας τη βοηθητική λαβή, ή το περιβλήμα του μοτέρ. Εάν κρατάτε το πριόνι και με τα δύο χέρια, δεν μπορεί να τα κόψει η λάμα.

β. Μην πλησιάζεται στο χώρο, κάτω από το προς επεξεργασία αντικείμενο. Ο προφυλακτήρας δεν μπορεί να σας προστατεύσει από τη λάμα κάτω από το προς επεξεργασία αντικείμενο.

γ. Ρυθμίστε το βάθος κοπής ανάλογα με το πάχος του αντικείμενου προς επεξεργασία. Κάτω από το προς επεξεργασία αντικείμενο θα πρέπει να φαίνεται λιγότερο από ένα ολόκληρο δόντι του δίσκου.

δ. Ποτέ μην κρατάτε το αντικείμενο που κόβετε με τα χέρια σας ή επάνω στα πόδια σας. Στερεώστε το προς επεξεργασία αντικείμενο σε μία σταθερή επιφάνεια. Είναι σημαντικό να στηρίζετε σωστά το αντικείμενο ώστε να ελαχιστοποιείται η πιθανότητα έκθεσης του σώματος, μπλοκαρίσματος του δίσκου ή απώλειας ελέγχου.



- ε. Κρατάτε το ηλεκτρικό εργαλείο μόνο από τις μονωμένες επιφάνειες συγκράτησης, όταν εκτελείτε κάποια εργασία κατά την οποία το εργαλείο κοπής μπορεί να έρθει σε επαφή με κρυμμένα καλώδια ή με το δικό του καλώδιο. Η επαφή με ένα καλώδιο υπό τάση θα θέσει τα μεταλλικά μέρη του ηλεκτρικού εργαλείου υπό τάση και μπορεί να προκαλέσει ηλεκτροπληξία στο χειριστή.
- στ. Κατά την παράλληλη κοπή να χρησιμοποιείτε πάντα έναν οδηγό κοπής ή έναν ευθύγραμμο οδηγό ακμής. Με τον τρόπο αυτό η κοπή είναι ακριβέστερη και ελαττώνεται η πιθανότητα να μπλοκάρει ο δίσκος.
- ζ. Χρησιμοποιείτε πάντα δίσκους κατάλληλου μεγέθους και σχήματος οπής άξονα (ρομβοειδές σε αντίθεση με το κυκλικό). Οι δίσκοι που δεν ταιριάζουν με το άκρο στερέωσης του δισκοπρίνου θα περιστρέφονται έκκεντρα με αποτέλεσμα την απώλεια του ελέγχου.
- η. Ποτέ μη χρησιμοποιείτε φθαρμένες ή ακατάλληλες ροδέλες ή μπουλόνι δίσκου. Οι ροδέλες και το μπουλόνι του δίσκου έχουν σχεδιαστεί ειδικά για το δικό σας πρίονι, για βέλτιστη απόδοση και ασφαλή λειτουργία.
- β. Όταν μπλοκάρει ο δίσκος, ή σε περίπτωση διακοπής της κοπής για οποιονδήποτε λόγο, αφήστε τη σκανδάλη και κρατήστε το δισκοπρίνο ακίνητο μέσα στο αντικείμενο μέχρι να σταματήσει τελείως ο δίσκος. Ποτέ μην επιχειρήσετε να αφαιρέσετε το δισκοπρίνο από το αντικείμενο ή να τραβήξετε το δισκοπρίνο προς τα πίσω όταν ο δίσκος περιστρέφεται διότι μπορεί να σημειωθεί κλότσημα. Βρείτε την αιτία του προβλήματος και προβείτε σε διορθωτικές ενέργειες για να εξαλειφθεί η αιτία που προκάλεσε το μπλοκάρισμα του δίσκου.
- γ. Κατά την επανεκκίνηση ενός δισκοπρίνου μέσα στο αντικείμενο, κεντράρετε το δίσκο του δισκοπρίνου στην εντομή και βεβαιωθείτε ότι τα δόντια του δισκοπρίνου δεν είναι σε εμπλοκή με το αντικείμενο. Εάν ο δίσκος μπλοκάρει, ενδέχεται να κινηθεί προς τα έξω ή να κλωστήσει από το αντικείμενο κατά την επανεκκίνηση του δισκοπρίνου.
- δ. Να στηρίζετε μεγάλες επιφάνειες προς κοπή για να ελαχιστοποιηθεί ο κίνδυνος σφηνώματος και κλωστήματος του δίσκου. Οι μεγάλες και επίπεδες επιφάνειες έχουν την τάση να υποχωρούν από το βάρος τους. Θα πρέπει να τοποθετούνται στηρίγματα κάτω από την επιφάνεια (πάνελ) και στις δύο πλευρές της, κοντά στη γραμμή κοπής και κοντά στο χείλος της επιφάνειας.
- ε. Μη χρησιμοποιείτε στομωμένους ή κατεστραμμένους δίσκους. Οι μη ακονισμένοι ή ακατάλληλα ρυθμισμένοι δίσκοι παράγουν στενή εντομή, η οποία προκαλεί υπερβολική τριβή, μπλοκάρισμα και κλώτσημα του δίσκου.
- στ. Οι μοχλοί ρύθμισης βάθους δίσκου και λοξής κοπής πρέπει να είναι καλά σφιγμένοι και στερεωμένοι πριν από την εκτέλεση της κοπής. Εάν η ρύθμιση του δίσκου ξεφύγει κατά την κοπή, μπορεί να προκληθεί μπλοκάρισμα και κλώτσημα.
- α. Να προσέχετε πάρα πολύ κατά την κοπή μέσα σε τοίχους ή άλλες επιφάνειες που δεν υπάρχει ορατότητα. Ο δίσκος που προεξέχει μπορεί να κόψει αντικείμενα, που μπορούν να προκαλέσουν κλώτσημα.

## Επιπλέον οδηγίες ασφαλείας για όλα τα δισκοπρίονα

### Αιτίες κλωστήματος και σχετικές προειδοποιήσεις

- ◆ Το κλώτσημα είναι μία απότομη αντίδραση λόγω στραβωμένου, μπλοκαρισμένου ή στραβά τοποθετημένου δίσκου, και τότε το δισκοπρίνο ανασηκώνεται ανεξέλεγκτα από το κομμάτι και πετάγεται προς το μέρος του χειριστή.
- ◆ Όταν ο δίσκος στραβώσει ή μπλοκάρει από το ζόρισμα της σχισμής, ο δίσκος σταματά να περιστρέφεται και το εργαλείο κατευθύνεται με δύναμη προς το χειριστή λόγω της αντίδρασης του μοτέρ.
- ◆ Εάν ο δίσκος στρεβλώσει ή χάσει την ευθυγράμμισή του κατά την κοπή, πιθανόν τα δόντια στην πίσω ακμή του δίσκου να βυθιστούν στην άνω επιφάνεια του ξύλου και να προκαλέσουν την έξοδο του δίσκου από τη σχισμή και την εκτίναξη προς το χειριστή.

Το κλώτσημα αποτελεί συνέπεια ενός αλόγιστου και/ή εσφαλμένου χειρισμού του εργαλείου. Μπορεί να αποφευχθεί με κατάλληλα προληπτικά μέτρα, όπως αυτά που περιγράφονται παρακάτω.

- α. Κρατήστε το εργαλείο γερά και με τα δύο χέρια σας και τοποθετήστε τους βραχιόνες σας έτσι ώστε να αντιδρούν στις δυνάμεις του κλωστήματος. Τοποθετήστε το σώμα σας από οποιαδήποτε από τις πλευρές του δίσκου αλλά όχι στην ίδια ευθεία με αυτόν. Το κλώτσημα μπορεί να προκαλέσει το τίναγμα του δισκοπρίνου προς τα πίσω, ωστόσο όταν έχουν ληφθεί κατάλληλα προληπτικά μέτρα, ο χειριστής μπορεί να αντιμετωπίσει με επιτυχία το κλώτσημα.

### Λειτουργία κάτω προφυλακτήρα

- α. Ελέγξτε εάν έχει κλείσει καλά ο κάτω προφυλακτήρας πριν από κάθε χρήση. Μη χειρίζεστε το δισκοπρίνο εάν ο κάτω προφυλακτήρας δεν κινείται ελεύθερα και δεν κλείνει αμέσως. Ποτέ μην ασφαρίζετε ή δένετε τον κάτω προφυλακτήρα στην ανοικτή θέση. Εάν κατά λάθος πέσει το δισκοπρίνο, ενδέχεται να στραβώσει ο κάτω προφυλακτήρας. Ανεβάστε τον κάτω προφυλακτήρα με τη λαβή απόσυρσης και βεβαιωθείτε ότι κινείται ελεύθερα και δεν εφάπτεται με το δίσκο ή οποιοδήποτε άλλο εξάρτημα, σε όλες τις γωνίες και βάθη κοπής.

- β. Ελέγξτε τη λειτουργία του ελατηρίου του κάτω προφυλακτήρα. Εάν ο προφυλακτήρας και το ελατήριο δεν λειτουργούν σωστά, θα πρέπει να τους γίνει σέρβις πριν από τη χρήση.** Ο κάτω προφυλακτήρας μπορεί να λειτουργεί με χαμηλή ταχύτητα λόγω εξαρτημάτων που έχουν φθαρεί, λαστιχένιων επικαθήσεων ή συσσώρευσης βρωμιάς.
- γ. Ο κάτω προφυλακτήρας μπορεί να αποσύρεται χειροκίνητα μόνο για ειδικές κοπές όπως "κοπές με βύθισμα" και "σύνθετες κοπές".** Ανεβάστε τον κάτω προφυλακτήρα αποσύροντας τη χειρολαβή και, αμέσως μόλις ο δίσκος εισέλθει στο υλικό, ο κάτω προφυλακτήρας πρέπει να απελευθερωθεί. Για κάθε άλλη περίπτωση πριονίσματος, ο κάτω προφυλακτήρας θα πρέπει να λειτουργεί αυτόματα.
- δ. Ο κάτω προφυλακτήρας πρέπει πάντα να καλύπτει το δίσκο πριν τοποθετήσετε το δισκοπρίονο επάνω σε πάγκο ή δάπεδο.** Ένας απροστάτευτος δίσκος που περιστρέφεται μέχρι να σταματήσει, θα προκαλέσει οπισθοδρόμηση του δισκοπρίονου με αποτέλεσμα να κόψει οτιδήποτε βρεθεί στην πορεία του. Να λαμβάνετε υπόψη το χρόνο που χρειάζεται ο δίσκος για να σταματήσει μετά την απελευθέρωση του διακόπτη.

### Λειτουργία μαχαιριού κοπής

- α. Να χρησιμοποιείτε τον κατάλληλο δίσκο κοπής για το μαχαίρι κοπής.** Για να λειτουργήσει το μαχαίρι κοπής, αυτό θα πρέπει να είναι παχύτερο από το σώμα του δίσκου και το πλάτος κοπής του δίσκου πρέπει να είναι μεγαλύτερο από το πάχος του μαχαιριού κοπής.
- β. Ρυθμίστε το μαχαίρι κοπής όπως περιγράφεται στο παρόν εγχειρίδιο οδηγιών.** Τυχόν εσφαλμένη απόσταση, θέση και ευθυγράμμισή του θα έχει σαν αποτέλεσμα το μαχαίρι κοπής να μην παρέχει προστασία από το κλότσημα.
- γ. Χρησιμοποιείτε πάντα το μαχαίρι κοπής εκτός από την περίπτωση κοπής σε βύθιση.** Το μαχαίρι κοπής θα πρέπει να αντικαθίσταται μετά από κοπή βύθισης. Το μαχαίρι κοπής προκαλεί παρεμβολή κατά την κοπή βύθισης και μπορεί να προκαλέσει κλότσημα.
- δ. Το μαχαίρι κοπής, προκειμένου να είναι αποτελεσματικό, θα πρέπει να έχει κομπλάρι με το αντικείμενο.** Το μαχαίρι κοπής δεν παρέχει προστασία κατά του κλοτσήματος σε σύντομες κοπές.
- ε. Μη χειρίζεστε το δισκοπρίονο εάν το μαχαίρι κοπής είναι λυγισμένο.** Ακόμα και ελαφρά παρεμβολή μπορεί να επιβραδύνει την ταχύτητα κλεισίματος του προφυλακτήρα.

### Αναπόφευκτοι κίνδυνοι.

Μπορεί να δημιουργηθούν επιπρόσθετοι αναπόφευκτοι κίνδυνοι, όταν χρησιμοποιείτε το εργαλείο, οι οποίοι ενδέχεται να μη συμπεριλαμβάνονται στις προειδοποιήσεις ασφαλείας που εσωκλείονται. Αυτοί οι κίνδυνοι μπορεί να προκληθούν από κακή χρήση, παρατεταμένη χρήση κτλ. Ακόμα και με την τήρηση των σχετικών κανονισμών ασφαλείας και τη χρήση μέσων προστασίας, ορισμένοι κίνδυνοι δεν είναι δυνατόν να εξαλειφθούν. Αυτοί περιλαμβάνουν:

- ◆ Τραυματισμούς από το άγγιγμα των περιστρεφόμενων/κινούμενων εξαρτημάτων.
- ◆ Τραυματισμούς από αλλαγή οποιονδήποτε εξαρτημάτων, λεπίδων ή αξεσουάρ.
- ◆ Τραυματισμούς από παρατεταμένη χρήση του εργαλείου. Όταν χρησιμοποιείτε οποιοδήποτε εργαλείο για παρατεταμένες χρονικές περιόδους, βεβαιωθείτε ότι κάνετε τακτικά διαλείμματα.
- ◆ Προβλήματα ακοής.
- ◆ Κίνδυνοι στην υγεία που προκαλούνται από την εισπνοή σκόνης, όταν χρησιμοποιείτε το εργαλείο (παράδειγμα:- όταν επεξεργάζεστε ξύλο, ειδικά δρυς, οξιά και MDF)

### Δίσκοι κοπής

- ◆ Μη χρησιμοποιείτε δίσκους με διάμετρο μεγαλύτερη ή μικρότερη από τη συνιστώμενη. Για την κατάλληλη ονομαστική τιμή του δίσκου, συμβουλευτείτε τα τεχνικά χαρακτηριστικά. Χρησιμοποιείτε μόνο τους δίσκους που αναφέρονται στο παρόν εγχειρίδιο, σε συμμόρφωση με το πρότυπο EN 847-1.
- ◆ **Προειδοποίηση!** Ποτέ μην χρησιμοποιείτε δίσκους λείανσης.

### Ασφάλεια τρίτων

- ◆ Αυτή η συσκευή δεν προορίζεται για χρήση από άτομα (στα οποία περιλαμβάνονται και τα παιδιά) με μειωμένες φυσικές, αντιληπτικές ή διανοητικές ικανότητες ή άτομα χωρίς εμπειρία και γνώσεις, παρά μόνο εφόσον επιτηρούνται ή τους έχουν δοθεί οδηγίες σχετικά με τη χρήση του εργαλείου από άτομο υπεύθυνο για την ασφάλειά τους.
- ◆ Τα παιδιά πρέπει να επιτηρούνται για να διασφαλίζεται ότι δεν παίζουν με τη συσκευή.

### Δόνηση

Η δηλωμένη τιμή εκπομπής δόνησης που αναφέρεται στα τεχνικά χαρακτηριστικά και τη δήλωση συμμόρφωσης έχει μετρηθεί σύμφωνα με μια τυποποιημένη μέθοδο δοκιμής που παρέχεται από το πρότυπο EN 60745 και μπορεί να χρησιμοποιηθεί για τη σύγκριση ενός εργαλείου με ένα άλλο. Η δηλωμένη τιμή εκπομπής δόνησης μπορεί επίσης να χρησιμοποιηθεί σε έναν προκαταρκτικό προσδιορισμό της έκθεσης.

**Προειδοποίηση!** Η τιμή εκπομπής δόνησης κατά την πραγματική χρήση του ηλεκτρικού εργαλείου μπορεί να διαφέρει από τη δηλωμένη τιμή, ανάλογα με το τρόπο που χρησιμοποιείται το εργαλείο. Η στάθμη δόνησης μπορεί να αυξηθεί πάνω από τη στάθμη που έχει δηλωθεί.

Κατά τον προσδιορισμό της έκθεσης σε δόνηση για τον καθορισμό των απαιτούμενων μέτρων ασφάλειας σύμφωνα με την οδηγία 2002/44/EK για την προστασία προσώπων που χρησιμοποιούν συχνά ηλεκτρικά εργαλεία στην εργασία τους, μια προσεγγιστική εκτίμηση της έκθεσης σε δόνηση πρέπει να λαμβάνει υπόψη τις πραγματικές συνθήκες χρήσης και τον τρόπο χρήσης του εργαλείου, συμπεριλαμβανομένων και όλων των επιμέρους τμημάτων του κύκλου εργασίας, όπως, πόσες φορές τέθηκε το εργαλείο εκτός λειτουργίας, τότε είναι σε λειτουργία χωρίς φορτίο και επιπρόσθετα ο χρόνος πίεσης της σκανδάλης.

### Ετικέτες στο εργαλείο

Τα ακόλουθα σύμβολα εμφανίζονται στο εργαλείο:



**Προειδοποίηση!** Για να μειωθεί ο κίνδυνος τραυματισμού, ο χρήστης πρέπει να διαβάσει το εγχειρίδιο οδηγιών.

### Ασφαλής χρήση ηλεκτρικού ρεύματος



Αυτό το εργαλείο διαθέτει διπλή μόνωση, επομένως δεν απαιτείται καλώδιο γείωσης. Ελέγχετε πάντοτε αν η τάση τροφοδοσίας αντιστοιχεί σε αυτήν που αναγράφεται στην πινακίδα στοιχείων.

- ◆ Αν το καλώδιο ρεύματος έχει υποστεί φθορά, πρέπει να αντικατασταθεί από τον κατασκευαστή ή από ένα εξουσιοδοτημένο κέντρο επισκευών της Stanley Fat Max, ώστε να μην αποτελέσει κίνδυνο.

### Χαρακτηριστικά

Αυτό το εργαλείο διαθέτει μερικά από ή όλα τα παρακάτω χαρακτηριστικά.

1. Διακόπτης λειτουργίας
2. Κουμπί ασφάλισης
3. Κύρια χειρολαβή
4. Δευτερεύουσα λαβή
5. Κουμπί ασφάλισης άξονα
6. Πέδιλο
7. Δίσκος κοπής
8. Προφυλακτήρας δίσκου
9. Μαχαίρι κοπής
10. Έξοδος σκόνης δισκοπρίνου

### Συναρμολόγηση

**Προειδοποίηση!** Πριν επιχειρήσετε κάποια από αυτές τις εργασίες, βεβαιωθείτε ότι εργαλείο είναι απενεργοποιημένο και αποσυνδεδεμένο από την πρίζα και ότι η πρινόλαμα είναι σταματημένη.

### Αφαίρεση και τοποθέτηση του δίσκου (εικ. Α)

#### Αφαίρεση

- ◆ Κρατήστε πατημένο το κουμπί ασφάλισης άξονα (5) και περιστρέψτε το δίσκο (8) μέχρι να κουμπώσει η ασφάλεια άξονα.
- ◆ Χαλαρώστε και αφαιρέστε τη βίδα συγκράτησης του δίσκου (11) στρέφοντάς την αριστερόστροφα με το παρεχόμενο γερμανικό κλειδί (12).
- ◆ Βγάλετε την εξωτερική ροδέλα (13).
- ◆ Βγάλετε το δίσκο (7).

#### Τοποθέτηση

- ◆ Τοποθετήστε το δίσκο (8) επάνω στην εσωτερική φλάντζα (14), φροντίζοντας ώστε το βέλος επάνω στο δίσκο να δείχνει στην ίδια κατεύθυνση με το βέλος επάνω στο εργαλείο.
- ◆ Τοποθετήστε την εξωτερική ροδέλα (13) επάνω στον άξονα, με το υπερυψωμένο τμήμα να δείχνει αντίθετα από το δίσκο.
- ◆ Εισαγάγετε τη βίδα συγκράτησης του δίσκου (11) μέσα στην οπή.
- ◆ Κρατήστε πατημένο το κουμπί ασφάλισης άξονα (5).
- ◆ Σφίξτε καλά τη βίδα συγκράτησης του δίσκου στρέφοντάς την δεξιόστροφα με το παρεχόμενο γερμανικό κλειδί (12).
- ◆ Ρυθμίστε το μαχαίρι κοπής όπως περιγράφεται παρακάτω.

### Ρύθμιση του μαχαιριού κοπής (εικ. Β)

Το μαχαίρι κοπής εμποδίζει το σφήνμα του δίσκου σε εργασίες διαμήκου κοπής. Το μαχαίρι κοπής πρέπει να ρυθμιστεί μετά την αντικατάσταση του δίσκου.

- ◆ Χαλαρώστε τις βίδες (15) χρησιμοποιώντας το κλειδί (12), κρατώντας ταυτόχρονα το μαχαίρι κοπής στη θέση του.
- ◆ Τοποθετήστε το μαχαίρι κοπής (9) όπως απεικονίζεται.
- ◆ Η απόσταση ανάμεσα στα δόντια του δίσκου και το μαχαίρι κοπής πρέπει να είναι 2 - 3 mm.
- ◆ Η διαφορά ύψους ανάμεσα στα δόντια του δίσκου και το κάτω άκρο του μαχαιριού κοπής πρέπει να είναι 2 - 3 mm.
- ◆ Σφίξτε τις βίδες.

## Τοποθέτηση και αφαίρεση του παράλληλου οδηγού (εικ. C)

- ◆ Ο παράλληλος οδηγός χρησιμοποιείται για το πριόνισμα σε ευθεία γραμμής παράλληλα με την ακμή του αντικειμένου.

### Τοποθέτηση

- ◆ Χαλαρώστε το μπουτόν κλειδώματος (16).
- ◆ Εισάγετε τον παράλληλο οδηγό (17) μέσα από τα ανοίγματα (18).
- ◆ Σύρετε τον παράλληλο οδηγό στην επιθυμητή θέση.
- ◆ Σφίξτε το μπουτόν κλειδώματος.

### Αφαίρεση

- ◆ Χαλαρώστε το μπουτόν κλειδώματος.
- ◆ Τραβήξτε τον παράλληλο οδηγό από το εργαλείο.

## Χρήση

**Προειδοποίηση!** Αφήστε το εργαλείο να λειτουργήσει με το δικό του ρυθμό. Μην το υπερφορτώνετε.

Το εργαλείο αυτό μπορεί να χρησιμοποιηθεί με το δεξί ή με το αριστερό χέρι.

## Ρύθμιση της γωνίας πριονίσματος (εικ. D)

- ◆ Χρησιμοποιήστε μία γωνία για να βεβαιωθείτε ότι η γωνία ανάμεσα στο δίσκο και το πέδιλο του δισκοπριονίου είναι 90°. Εάν η γωνία δεν είναι 90° ρυθμίστε ως εξής:
  - ◆ Χαλαρώστε το μπουτόν κλειδώματος (19) για να απασφαλίσετε το πέδιλο δισκοπριονίου.
  - ◆ Χαλαρώστε το παξιμάδι ασφαλείας (20) στη ρυθμιστική βίδα (21).
  - ◆ Βιδώστε τη ρυθμιστική βίδα (20) μέσα ή έξω για να επιτευχθεί γωνία 90°.
  - ◆ Σφίξτε ξανά το παξιμάδι ασφαλείας.
  - ◆ Σφίξτε το μπουτόν κλειδώματος για να ασφαλίσετε το πέδιλο δισκοπριονίου στη θέση του.

## Ρύθμιση του βάθους κοπής (εικ. E)

Το βάθος κοπής θα πρέπει να ρυθμιστεί ανάλογα με το πάχος του αντικειμένου. Αυτό θα πρέπει να υπερβαίνει το πάχος κατά περίπου 2 mm.

- ◆ Χαλαρώστε το μπουτόν κλειδώματος (22) για να απασφαλίσετε το πέδιλο δισκοπριονίου.
- ◆ Μετακινήστε το πέδιλο δισκοπριονίου (6) στην επιθυμητή θέση. Το αντίστοιχο βάθος κοπής μπορεί να διαβαστεί στην κλίμακα (23).
- ◆ Σφίξτε το μοχλό για να ασφαλίσετε το πέδιλο δισκοπριονίου στη θέση του.

## Ρύθμιση της γωνίας λοξής κοπής (εικ. F)

Το εργαλείο αυτό μπορεί να ρυθμιστεί για γωνίες λοξής κοπής μεταξύ 0° και 45°.

- ◆ Χαλαρώστε το μπουτόν κλειδώματος (19) για να απασφαλίσετε το πέδιλο δισκοπριονίου.
- ◆ Μετακινήστε το πέδιλο δισκοπριονίου (8) στην επιθυμητή θέση. Η αντίστοιχη γωνία λοξής κοπής μπορεί να διαβαστεί στην κλίμακα (24).
- ◆ Σφίξτε το μπουτόν κλειδώματος για να ασφαλίσετε το πέδιλο δισκοπριονίου στη θέση του.

## Ενεργοποίηση και απενεργοποίηση

- ◆ Για να ανάψετε το εργαλείο, μετακινήστε το κουμπί απασφάλισης (2) στη θέση απασφάλισης και πιέστε το διακόπτη λειτουργίας (1).
- ◆ Για να απενεργοποιήσετε το εργαλείο, αποδεσμεύστε το διακόπτη λειτουργίας.

## Πριόνισμα

Πάντα να κρατάτε το εργαλείο και με τα δύο χέρια.

- ◆ Αφήστε τη λάμα να κινηθεί ελεύθερα για λίγα δευτερόλεπτα, προτού ξεκινήσετε την κοπή.
- ◆ Κατά την εκτέλεση της κοπής, εφαρμόζετε μόνο μικρή πίεση στο εργαλείο.
- ◆ Εργαστείτε με το πέδιλο να πιέζει επάνω στο προς επεξεργασία αντικείμενο.

**Σημείωση:** Μην επιτρέπετε στα άκρα του δίσκου να υπερθερμανθούν.

## Χρήση του οδηγού επιθεώρησης (εικ. G)

Το εργαλείο είναι εφοδιασμένο με οδηγό επιθεώρησης για ευθεία κοπή (25) και για λοξή κοπή 45° (26).

- ◆ Ρυθμίστε τον οδηγό επιθεώρησης όπως περιγράφεται παρακάτω.
- ◆ Ευθυγραμμίστε το αριστερό άκρο των οδηγιών (25) ή (26) με τη γραμμή κοπής (27).
- ◆ Κατά το πριόνισμα κρατήστε τον οδηγό επιθεώρησης σε ευθυγράμμιση με τη γραμμή κοπής.
- ◆ Εργαστείτε με το πέδιλο να πιέζει επάνω στο προς επεξεργασία αντικείμενο.

## Ρύθμιση του οδηγού επιθεώρησης

- ◆ Κάντε μία δοκιμαστική κοπή μέχρι τα μισά ενός κομματιού άχρηστου ξύλου.
- ◆ Απομακρύνετε το δισκοπρίονο έτσι ώστε να φανεί η γραμμή κοπής (27).
- ◆ Κρατώντας το δισκοπρίονο στη θέση αυτή, χαλαρώστε τον οδηγό επιθεώρησης του πέδιλου του δίσκου, όπως δείχνει η εικόνα.

- ◆ Ευθυγραμμίστε το σημάδι 0° (25) στον οδηγό επιθεώρησης με τη γραμμή κοπής (27). Κατά τη ρύθμιση για λοξές κοπές 45°, ευθυγραμμίστε το σημάδι των 45° (26) στον οδηγό επιθεώρησης με τη γραμμή κοπής.
- ◆ Ασφαλίστε τον οδηγό επιθεώρησης χρησιμοποιώντας τη βίδα (28).

## Απαγωγή σκόνης

Απαιτείται ένας προσαρμογέας για τη σύνδεση μιας ηλεκτρικής σκούπας ή μιας συσκευής απαγωγής σκόνης επάνω στο εργαλείο.

- ◆ Εισάγετε τον προσαρμογέα απαγωγής σκόνης μέσα στην έξοδο σκόνης του δισκοπρίονου (10).
- ◆ Συνδέστε τον ελαστικό σωλήνα της σκούπας στον προσαρμογέα.

## Συμβουλές για άριστη χρήση

- ◆ Χρησιμοποιείτε πάντα τον κατάλληλο τύπο πριονόλαμας ανάλογα με το υλικό του κατεργαζόμενου τεμαχίου και τον τύπο κοπής.
- ◆ Πάντα να κρατάτε το εργαλείο και με τα δύο χέρια.
- ◆ Αφήστε τη λάμα να κινηθεί ελεύθερα για λίγα δευτερόλεπτα, προτού ξεκινήσετε την κοπή.
- ◆ Κατά την εκτέλεση της κοπής, εφαρμόζετε μόνο μικρή πίεση στο εργαλείο.
- ◆ Εργαστείτε με το πέδιλο να πιέζει επάνω στο προς επεξεργασία αντικείμενο.
- ◆ Επειδή δεν μπορείτε να αποφύγετε κάποιες σχίζες κατά μήκος της γραμμής κοπής στην επάνω πλευρά του αντικειμένου, κόψτε από την πλευρά που είναι αποδεκτές οι σχίζες.
- ◆ Σε περιπτώσεις που πρέπει να ελαχιστοποιηθούν οι σχίζες, π.χ. κατά την κοπή καπλαμάδων, σφίξτε ένα κομμάτι κόντρα πλακέ επάνω στην άνω επιφάνεια του αντικειμένου.
- ◆ Να στηρίζετε μεγάλες επιφάνειες προς κοπή για να ελαχιστοποιηθεί ο κίνδυνος σφηνώματος και κλοσήματος του δίσκου. Οι μεγάλες και επίπεδες επιφάνειες έχουν την τάση να υποχωρούν από το βάρος τους.
- ◆ Θα πρέπει να τοποθετούνται στηρίγματα κάτω από την επιφάνεια (πάνελ) και στις δύο πλευρές της, κοντά στη γραμμή κοπής και κοντά στο χείλος της επιφάνειας προς κοπή.
- ◆ Ποτέ μην κρατάτε το αντικείμενο που κόβετε με τα χέρια σας ή επάνω στα πόδια σας.
- ◆ Στερεώστε το προς επεξεργασία αντικείμενο σε μία σταθερή επιφάνεια με σφιγκτήρες. Είναι σημαντικό να στηρίζετε σωστά το αντικείμενο ώστε να ελαχιστοποιείται η πιθανότητα έκθεσης του σώματος, μπλοκαρίσματος του δίσκου ή απώλειας ελέγχου.

## Αξεσουάρ

Η απόδοση του εργαλείου σας εξαρτάται από τα αξεσουάρ που χρησιμοποιούνται. Τα αξεσουάρ της Stanley Fat Max έχουν κατασκευαστεί μηχανικά με πρότυπα υψηλής ποιότητας και είναι σχεδιασμένα για να ενισχύουν την απόδοση του εργαλείου σας. Χρησιμοποιώντας αυτά τα αξεσουάρ, θα εξασφαλίσετε την καλύτερη δυνατή απόδοση του εργαλείου σας.

## Συντήρηση

Αυτό το εργαλείο έχει σχεδιαστεί έτσι ώστε να λειτουργεί για μεγάλο χρονικό διάστημα με την ελάχιστη δυνατή συντήρηση. Η αδιάλειπτη και ικανοποιητική λειτουργία εξαρτάται από τη σωστή φροντίδα του εργαλείου και τον τακτικό καθαρισμό του.

**Προειδοποίηση!** Πριν από κάθε εργασία συντήρησης πρέπει να θέτετε το εργαλείο εκτός λειτουργίας και να το βγάξετε από την πρίζα.

- ◆ Να καθαρίζετε τακτικά τις εγκοπές εξαιρισμού του εργαλείου και του φορτιστή με μια μαλακή βούρτσα ή με ένα στεγνό πανί.
- ◆ Να καθαρίζετε τακτικά το περίβλημα του μοτέρ με ένα υγρό πανί. Μη χρησιμοποιείτε λειαντικά ή υγρά καθαρισμού που περιέχουν διαλυτικά.

## Αντικατάσταση του ρευματολήπτη (H.B. & Ιρλανδία μόνο)

Αν χρειαστεί να εγκαταστήσετε έναν καινούριο ρευματολήπτη (φίς):

- ◆ Απορρίψτε με ασφαλή τρόπο το παλιό φίς.
- ◆ Συνδέστε τον καφέ αγωγό στον ηλεκτροφόρο ακροδέκτη του νέου ρευματολήπτη.
- ◆ Συνδέστε τον μπλε αγωγό στον ουδέτερο ακροδέκτη.

**Προειδοποίηση!** Δεν χρειάζεται καμία σύνδεση στον ακροδέκτη γείωσης. Ακολουθήστε τις οδηγίες τοποθέτησης που παρέχονται με τους καλής ποιότητας ρευματολήπτες (φίς). Προτεινόμενη ασφάλεια τήξης: 13 Α.

## Προστασία του περιβάλλοντος



Ξεχωριστή περισυλλογή. Αυτό το προϊόν δεν πρέπει να απορρίπτεται μαζί με τα κοινά οικιακά απορρίμματα.

Εάν κάποια μέρα διαπιστώσετε ότι το προϊόν σας Stanley Fat Max χρειάζεται αντικατάσταση ή ότι δεν το χρειάζεστε άλλο, μην το απορρίψετε μαζί με τα κοινά οικιακά απορρίμματα αλλά διαθέστε αυτό το προϊόν για ξεχωριστή περισυλλογή.



Η ξεχωριστή περισυλλογή των μεταχειρισμένων προϊόντων και των υλικών συσκευασίας επιτρέπει την ανακύκλωση και επαναχρησιμοποίηση των υλικών.

Με την επαναχρησιμοποίηση των ανακυκλωμένων υλικών αποτρέπεται η μόλυνση του περιβάλλοντος και μειώνεται η ζήτηση πρώτων υλών.

Οι κανονισμοί που ισχύουν στην περιοχή σας ενδέχεται να προβλέπουν την ξεχωριστή περισυλλογή των ηλεκτρικών συσκευών που προέρχονται από νοικοκυριά σε δημοτικές εγκαταστάσεις ή από τον έμπορο όταν αγοράσετε ένα καινούργιο προϊόν.

Η Stanley Europe δίνει τη δυνατότητα ανακύκλωσης των προϊόντων της Stanley Fat Max που έχουν συμπληρώσει τη διάρκεια ζωής τους. Για να χρησιμοποιήσετε αυτήν την υπηρεσία, επιστρέψτε το προϊόν σας σε οποιοδήποτε εξουσιοδοτημένο κέντρο επισκευών, όπου θα το παραλάβουν εκ μέρους μας.

Ενημερωθείτε για το πλησιέστερο εξουσιοδοτημένο κέντρο επισκευών της περιοχής σας, επικοινωνώντας με τα γραφεία της Stanley Europe στη διεύθυνση που αναγράφεται στο εγχειρίδιο. Επίσης, μια λίστα με τα εξουσιοδοτημένα κέντρα επισκευών της Stanley Europe και πλήρεις λεπτομέρειες για τις υπηρεσίες που παρέχονται μετά την πώληση καθώς και στοιχεία επικοινωνίας υπάρχουν στο Διαδίκτυο, στη διεύθυνση: [www.2helpU.com](http://www.2helpU.com)

## Τεχνικά χαρακτηριστικά

FME300 (Τύπος 1)	
Τάση εισόδου	$V_{ac}$ 230
Ισχύς εισόδου	W 1,600
Ταχύτητα χωρίς φορτίο	$\epsilon\lambda\alpha\chi^{-1}$ 5,000
Μέγιστο βάθος κοπής	mm 65
Μέγ. βάθος κοπής για λοξή γωνία κοπής 45°	mm 50
Διάμετρος δίσκου	mm 190
Εσωτ. διάμετρος δίσκου	mm 16
Πλάτος ακμής δίσκου	mm 2.3
Βάρος	kg 5.4

$L_{pA}$ (ηχητική πίεση) 94 dB(A), Αβεβαιότητα (K) 3 dB(A)
$L_{WA}$ (ηχητική Ισχύς) 105 dB(A), αβεβαιότητα (K) 3 dB(A)
Συνολικές τιμές δόνησης (δυναμωτικό άθροισμα τριών αξόνων) κατά EN 60745:
Κοπή ξύλου ( $a_{h,w}$ ) 4.8 $m/s^2$ , αβεβαιότητα (K) 1.5 $m/s^2$

## Δήλωση συμμόρφωσης EK

ΟΔΗΓΙΑ ΠΕΡΙ ΜΗΧΑΝΗΜΑΤΩΝ



FME300

Η Stanley Europe δηλώνει ότι τα προϊόντα αυτά που περιγράφονται στα "τεχνικά χαρακτηριστικά" συμμορφώνονται με:

2006/42/EK, EN 60745-1, EN 60745-2-5

Αυτά τα προϊόντα συμμορφώνονται επίσης με την οδηγία 2004/108/EK και 2011/65/EE. Για περισσότερες πληροφορίες, παρακαλείστε να επικοινωνήσετε με την Stanley Europe στην παρακάτω διεύθυνση ή να ανατρέξετε στο πίσω μέρος του εγχειριδίου.

Ο κάτωθι υπογεγραμμένος είναι υπεύθυνος για την κατάρτιση του τεχνικού φακέλου και δηλώνει τα παρόντα εκ μέρους της

Stanley Europe.

Kevin Hewitt

Αντιπρόεδρος παγκόσμιας μηχανικής  
Stanley Europe, Egide Walschaertsstraat14-18,  
2800 Mechelen, Belgium  
07/10/2013

## Εγγύηση

Η Stanley Europe είναι σίγουρη για την ποιότητα των προϊόντων της και παρέχει μια εξαιρετική εγγύηση για τους επαγγελματίες χρήστες του προϊόντος. Αυτή η δήλωση εγγύησης είναι επιπρόσθετη στα και δεν επηρεάζει με κανένα τρόπο τα συμβατικά δικαιώματά σας ως ιδιώτη μη επαγγελματία χρήστη. Η εγγύηση ισχύει εντός της επικράτειας των Κρατών Μελών της Ευρωπαϊκής Ένωσης και της Ευρωπαϊκής Ζώνης Ελευθέρων Συναλλαγών.

## ΠΛΗΡΗΣ ΕΓΓΥΗΣΗ ΕΝΟΣ ΕΤΟΥΣ

Εάν το προϊόν σας Stanley Fat Max καταστεί ελαττωματικό λόγω ελαττωματικών υλικών ή εργασίας εντός 12 μηνών από την ημερομηνία αγοράς, η Stanley Ευρώπη αναλαμβάνει να αντικαταστήσει όλα τα ελαττωματικά μέρη δωρεάν ή – κατά την κρίση μας – να αντικαταστήσει τη μονάδα χωρίς χρέωση, υπό τον όρο ότι:

- ◆ Το προϊόν δεν έχει υποστεί κακομεταχείριση και έχει χρησιμοποιηθεί σύμφωνα με το εγχειρίδιο οδηγιών.
- ◆ Το προϊόν έχει υποβληθεί σε φυσιολογική φθορά,
- ◆ Δεν έχει γίνει προσπάθεια επισκευής από μη εξουσιοδοτημένα άτομα.
- ◆ Υπάρχει απόδειξη αγοράς.
- ◆ Το προϊόν Stanley Fat Max επιστρέφεται πλήρες, με όλα τα αυθεντικά εξαρτήματα

Εάν επιθυμείτε να εγείρετε αξιώσεις, επικοινωνήστε με τον πωλητή σας ή ελέγξτε την τοποθεσία του πλησιέστερου εξουσιοδοτημένου κέντρου επισκευών Stanley Fat Max στον κατάλογο της Stanley Fat Max ή επικοινωνήστε με το τοπικό σας γραφείο της Stanley στη διεύθυνση που αναγράφεται στο παρόν εγχειρίδιο. Εναλλακτικά, μια λίστα με τα εξουσιοδοτημένα κέντρα επισκευών της Stanley Fat Max και πλήρεις λεπτομέρειες για τις υπηρεσίες που παρέχονται μετά την πώληση υπάρχει στο διαδίκτυο, στη διεύθυνση: [www.stanley.eu/3](http://www.stanley.eu/3)

<b>België/Belgique</b>	Stanley Fat Max E. Walschaertstraat 14-16 2800 Mechelen Belgium	De. Tel. +32 70 220 065 Fr. Tel. +32 70 220 066 Fax +32 15 473 799 www.stanleytools.eu Enduser.be@SBDinc.com
<b>Danmark</b>	Stanley Fat Max Farveland 1B 2600 Glostrup	Tel. 70 20 15 10 Fax 70 22 49 10 www.stanleyworks.dk
<b>Deutschland</b>	Stanley Fat Max Richard Klinger Str. 11, D - 65510 Idstein	Tel. 06126 21-1 Fax 06126 21-2770
<b>Ελλάδα</b>	Stanley Fat Max. Στράβωνος 7 & Λεωφ. Βουλιαγμένης 159 Γλυφάδα 166 74 - Αθήνα	Τηλ. +30 210 8981-616 Φαξ +30 210 8983-285 www.stanleyworks.gr
<b>España</b>	Stanley Fat Max. Parc de Negocis "Mas Blau" Edificio Muntadas, c/Bergadá, 1, Of. A6 08820 El Prat de Llobregat (Barcelona)	Tel. 934 797 400 Fax 934 797 419 respuesta.postventa@sbdinc.com www.stanleyworks.es
<b>France</b>	Stanley Fat Max 5 allée des Hêtres B.P. 30084 69579 Limonest Cédex	Tel. 04 72 20 39 20 Fax 04 72 20 39 00 www.stanleyouillage.fr
<b>Helvetia</b>	Stanley Fat Max In der Luberzen 40 8902 Urdorf	Tel. 01 730 67 47 Fax 01 730 70 67 www.stanleyworks.de
<b>Italia</b>	Stanley Fat Max EnergyPark-Building 03 sud, Via Monza 7/A 20871 Vimercate (MB)	Tel. 039-9590200 Fax 039-9590313 www.stanley.it
<b>Nederland</b>	Stanley Fat Max Joulehof 12, 4600 RG Bergen op Zoom	Tel. +31 164 283 065 Fax +31 164 283 200 Enduser.NL@SBDinc.com
<b>Norge</b>	Stanley Fat Max Postboks 4613, Nydalen 0405 Oslo	Tlf. 45 25 13 00 Fax 45 25 08 00
<b>Österreich</b>	Stanley Fat Max Oberlaaerstraße 248, A-1230 Wien	Tel. 01 66116-0 Fax 01 66116-614 www.stanleyworks.de
<b>Portugal</b>	Stanley Fat Max Centro de Escritórios de Sintra Avenida Almirante Gago Coutinho, 132/134, Edifício 142710-418 Sintra 2710-418 Lisboa	Tel. 214667500 Fax 214667575 resposta.posvenda@sbdinc.com
<b>Suomi</b>	Stanley Fat Max Tekniikkatie 12, 02150 Espoo	Puh. 010 400 430 Faksi 0800 411 340 www.stanleyworks.fi
<b>Sverige</b>	Stanley Fat Max Box 94, 431 22 Mölndal	Tel. 031-68 61 00 Fax 031-68 60 08
<b>Türkiye</b>	Stanley Fat Max KALE Hırdavat ve Makina A.Ş. Defterdar Mah. Savaklar Cad. No:15 Edirnekapı / Eyüp / İSTANBUL 34050	Puh. 0212 533 52 55 Faks 0212 533 10 05 www.stanleyworks.fi
<b>United Kingdom</b>	Stanley Fat Max 210 Bath Road Slough, Berkshire SL1 3YD	Tel. +44 (0)1753 511234 Fax +44 (0)1753 551155 www.stanleytools.co.uk
<b>Middle East &amp; Africa</b>	Stanley Fat Max P.O.Box - 17164 Jebel Ali (South Zone), Dubai, UAE	Tel. +971 4 8127400 Fax +971 4 8127036 www.stanleyworks.ae