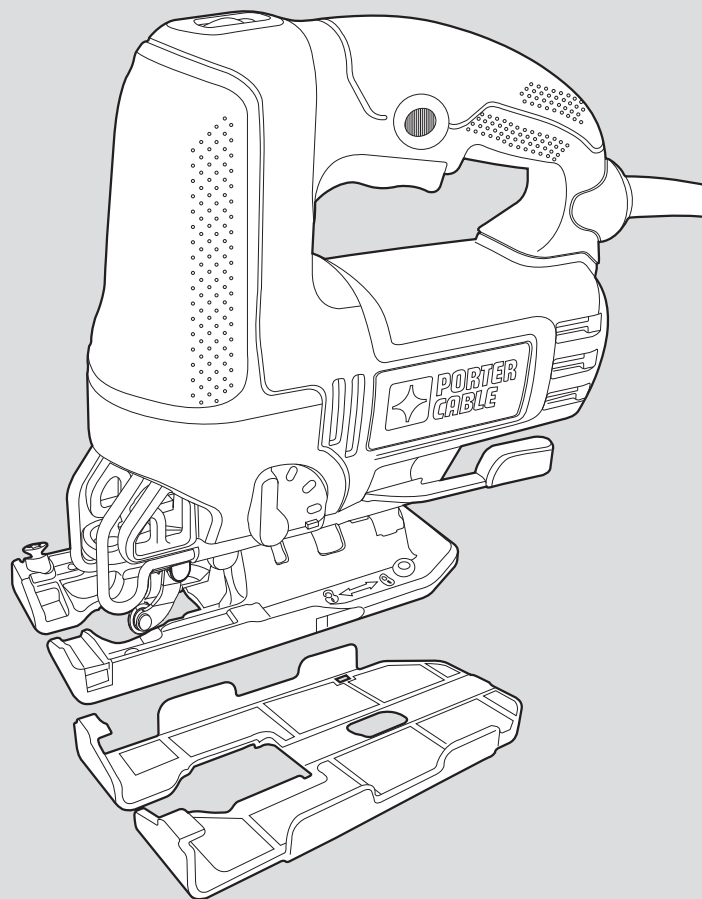
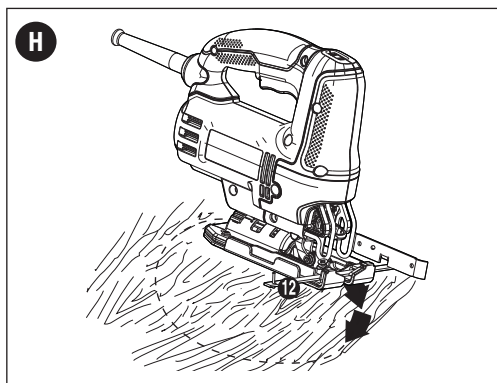
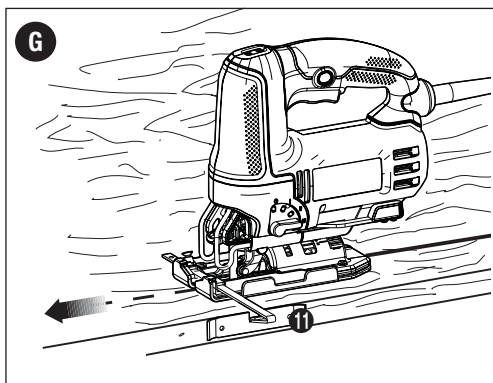
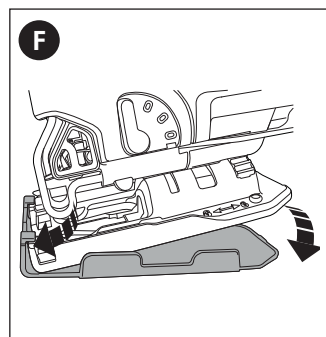
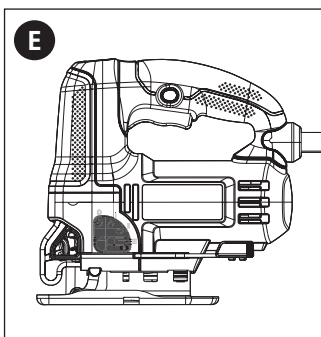
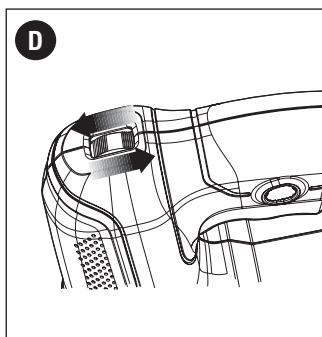
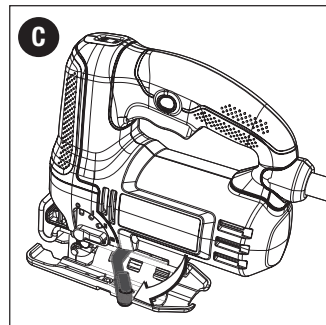
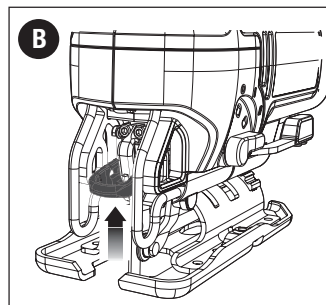
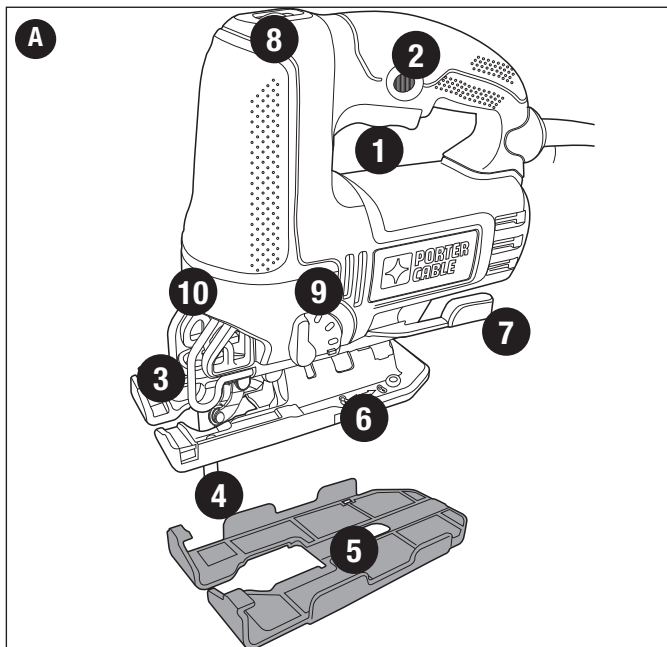


PORTER CABLE®



PC600JS



PC600JS VS ORBITAL JIG SAW

TECHNICAL DATA

SPECIFICATION	PC600JS-XE	
INPUT VOLTAGE	V	230
POWER INPUT	W	710
NO-LOAD SPEED	SPM	0-3,200
STROKE LENGTH	MM	20
WEIGHT	KG	2.7

INTENDED USE

Your Porter-Cable jig-saw has been designed for sawing wood, plastics and sheet metal.

SAFETY INSTRUCTIONS

General power tool safety warnings



Warning! Read all safety warnings and all instructions. Failure to follow all instructions may result in electric shock, fire and/or serious injury.

Save all warnings and instructions for future reference.

The term "power tool" in all of the warnings listed below refers to your mains operated (corded) power tool or battery operated (cordless) power tool.

1. Work area safety

- Keep work area clean and well lit.** Cluttered or dark areas invite accidents.
- Do not operate power tools in explosive atmospheres, such as in the presence of flammable liquids, gases or dust.** Power tools create sparks which may ignite the dust or fumes.
- Keep children and bystanders away while operating a power tool.** Distractions can cause you to lose control.

2. Electrical safety

- Power tool plugs must match the outlet. Never modify the plug in any way.** Do not use any adapter plugs with earthed (grounded) power tools. Unmodified plugs and matching outlets will reduce risk of electric shock.
- Avoid body contact with earthed or grounded surfaces such as pipes, radiators, ranges and refrigerators.** There is an increased risk of electric shock if your body is earthed or grounded.
- Do not expose power tools to rain or wet conditions.** Water entering a power tool will increase the risk of electric shock.
- Do not abuse the cord. Never use the cord for carrying, pulling or unplugging the power tool.** Keep

cord away from heat, oil, sharp edges or moving parts. Damaged or entangled cords increase the risk of electric shock.

- When operating a power tool outdoors, use an extension cord suitable for outdoor use.** Use of a cord suitable for outdoor use reduces the risk of electric shock.
- If operating a power tool in a damp location is unavoidable, use a residual current device (RCD) protected supply.** Use of an RCD reduces the risk of electric shock.

3. Personal safety

- Stay alert, watch what you are doing and use common sense when operating a power tool. Do not use a power tool while you are tired or under the influence of drugs, alcohol or medication.** A moment of inattention while operating power tools may result in serious personal injury.
- Use personal protective equipment. Always wear eye protection.** Protective equipment such as dust mask, non-skid safety shoes, hard hat, or hearing protection used for appropriate conditions will reduce personal injuries.
- Prevent unintentional starting. Ensure the switch is in the off-position before connecting to power source and/or battery pack, picking up or carrying the tool.** Carrying power tools with your finger on the switch or energising power tools that have the switch on invites accidents.
- Remove any adjusting key or wrench before turning the power tool on.** A wrench or a key left attached to a rotating part of the power tool may result in personal injury.
- Do not overreach. Keep proper footing and balance at all times.** This enables better control of the power tool in unexpected situations.
- Dress properly. Do not wear loose clothing or jewellery. Keep your hair, clothing and gloves away from moving parts.** Loose clothes, jewellery or long hair can be caught in moving parts.
- If devices are provided for the connection of dust extraction and collection facilities, ensure these are connected and properly used.** Use of these devices can reduce dust related hazards.

4. Power tool use and care

- Do not force the power tool. Use the correct power tool for your application.** The correct power tool will do the job better and safer at the rate for which it was designed.
- Do not use the power tool if the switch does not turn it on and off.** Any power tool that cannot be controlled with the switch is dangerous and must be repaired.
- Disconnect the plug from the power source and/or**

- the battery pack from the power tool before making any adjustments, changing accessories, or storing power tools. Such preventive safety measures reduce the risk of starting the power tool accidentally.
- d. **Store idle power tools out of the reach of children and do not allow persons unfamiliar with the power tool or these instructions to operate the power tool.** Power tools are dangerous in the hands of untrained users.
 - e. **Maintain power tools. Check for misalignment or binding of moving parts, breakage of parts and any other condition that may affect the power tools operation. If damaged, have the power tool repaired before use.** Many accidents are caused by poorly maintained power tools.
 - f. **Keep cutting tools sharp and clean.** Properly maintained cutting tools with sharp cutting edges are less likely to bind and are easier to control.
 - g. **Use the power tool, accessories and tool bits etc. in accordance with these instructions, taking into account the working conditions and the work to be performed.** Use of the power tool for operations different from those intended could result in a hazardous situation.
5. **Service**
- a. **Have your power tool serviced by a qualified repair person using only identical replacement parts.** This will make sure that the safety of the power tool is maintained.

ADDITIONAL SAFETY INSTRUCTIONS FOR AUSTRALIA AND NEW ZEALAND


- a. Young children and the infirm. This appliance is not intended for use by young children or infirm persons without supervision. Young children should be supervised to ensure they do not play with this appliance.
- b. Replacement of the supply cord. If the supply cord is damaged, it must be replaced by the manufacturer or an authorised Porter-Cable Service Centre in order to avoid a hazard.

ADDITIONAL POWER TOOL SAFETY WARNINGS

 **WARNING:** Additional safety warnings for jigsaws.

- **Hold power tool by insulated gripping surfaces, when performing an operation where the cutting accessory may contact hidden wiring or its own cord.** Cutting accessory contacting a "live" wire may make exposed metal parts of the power tool "live" and could give the operator an electric shock.

- **Use clamps or another practical way to secure and support the workpiece to a stable platform.** Holding the work by hand or against your body leaves it unstable and may lead to loss of control.
- **Keep hands away from cutting area.** Never reach underneath the work piece any reason. Do not insert fingers or thumb into the vicinity of the reciprocating blade and blade clamp. Do not stabilize the saw by gripping the shoe.
- **Keep blades sharp.** Dull or damaged blades may cause the saw to swerve or stall under pressure. Always use the appropriate type of saw blade for the workpiece material and type of cut.
- **When cutting pipe or conduit, make sure that they are free from water, electrical wiring, etc.**
- **Do not touch the workpiece or the blade immediately after operating the tool.** They can become very hot.
- **Be aware of hidden hazards, before cutting into walls, floors or ceilings, check for the location of wiring and pipes.**
- **The blade will continue to move after releasing the switch.** Always switch the tool off and wait for the saw blade to come to a complete standstill before putting the tool down.

 **WARNING:** Contact with, or inhalation of dusts arising from cutting applications may endanger the health of the operator and possible bystanders. Wear a dust mask specifically designed for protection against dust and fumes and ensure that persons within or entering the work area are also protected.

- This tool is not intended for use by persons (including children) with reduced physical, sensory or mental capabilities, or lack of experience and knowledge, unless they have been given supervision or instruction concerning use of the appliance by a person responsible for their safety. Children should be supervised to ensure that they do not play with the appliance.
- The intended use is described in this instruction manual. The use of any accessory or attachment or performance of any operation with this tool other than those recommended in this instruction manual may present a risk of personal injury and/or damage to property

Vibration

The declared vibration emission values stated in the technical data and the declaration of conformity have been measured in accordance with a standard test method provided by EN 60745 and may be used for comparing one tool with another. The declared vibration emission value may also be used in a preliminary assessment of exposure.

⚠ WARNING: The vibration emission value during actual use of the power tool can differ from the declared value depending on the ways in which the tool is used. The vibration level may increase above the level stated.

When assessing vibration exposure to determine safety measures required by 2002/44/EC to protect persons regularly using power tools in employment, an estimation of vibration exposure should consider, the actual conditions of use and the way the tool is used, including taking account of all parts of the operating cycle such as the times when the tool is switched off and when it is running idle in addition to the trigger time.

SYMBOLS

The label on your tool may include the following symbols:

VVolts
AAmperes
HzHertz
WWatts
minminutes
~Alternating current
---Direct current
n_0No load speed
ⓂClass I Construction (grounded)
ⓍEarthing terminal
ⓂClass II Construction
⚠Safety alert symbol
.../minRevolutions or reciprocations per minute
sfpmsurface feet per minute

ELECTRICAL SAFETY

⚠ Warning! If the power cord is damaged, it must be replaced by the manufacturer, authorized Porter-Cable Service Center or an equally qualified person in order to avoid damage or injury. If the power cord is replaced by an equally qualified person, but not authorized by Porter-Cable, the warranty will not be valid.

FEATURES (FIGURE A)

1. Trigger switch
2. Lock-on button
3. Saw blade locking lever
4. Saw blade
5. Shoe sleeve
6. Shoe
7. Shoe beveling lever
8. Speed control wheel
9. Cutting action lever
10. LED Light

OPERATION

⚠ Before attempting any of the following operations, make sure that the tool is switched off and unplugged and that the saw blade has stopped. Used saw blades can be hot. The tool always is supplied via residual current device with a rated residual current of 30 mA or less.

BLADE INSTALLATION (FIGURE B)

- Push the saw blade locking lever (3) upward.
- With teeth facing forward, insert the shank of the saw blade into the blade holder as far as it will go.
- Release the lever.
- Check to ensure blade is secure before cutting.

ADJUSTING THE SHOE FOR BEVEL CUTS(FIGURE C)

⚠ Never use the tool when the shoe is loose or removed. The shoe plate can be set to a left or right bevel angle of up to 45°.

To set the bevel angle:

- Pull the shoe beveling lever (7) out and away from the saw to unlock the shoe (6) as shown in **figure C**
- Slide the shoe forward to release it from the 0° positive stop position.
- The shoe can be beveled to the left or to the right and has detents at 15°, 30° and 45°.
- Set the shoe to the desired bevel angle. Use a protractor to verify angle accuracy.
- Push the shoe beveling lever back towards the saw to lock the shoe.

To reset the shoe for straight cuts:

- Pull the shoe beveling lever (7) out and away from the saw to unlock the shoe (6) as shown in **figure C**.
- Rotate shoe to an angle of approximately 0° and then pull shoe backwards to engage the 0° positive stop.
- Push the shoe beveling lever back towards the saw to lock the shoe.

SWITCHING ON AND OFF

- To switch the tool on, squeeze the trigger switch (1).
- For continuous operation, squeeze the trigger switch then depress the lock-on button (2). Once lock-on button is depressed, release the trigger switch.
- To switch the tool off, release the trigger switch. To switch the tool off, when in continuous operation, squeeze the trigger and the lock will disengage.

VARIABLE SPEED CONTROL (FIGURE D)

A speed control wheel (8) is located on the top of the saw. The speed increases as the wheel is turned from a low speed setting of 1 to a high speed setting of 7.

CUTTING ACTION – ORBITAL OR STRAIGHT (FIGURE E)



Check that the tool is not locked **ON** before connecting it to a power supply. If the trigger switch is locked **ON** when the tool is connected to the power supply, it will start immediately. Damage to your tool or personal injury may result.

This jig saw is equipped with four cutting actions, three orbital and one straight. Orbital action has a more aggressive blade motion and is designed for cutting in soft materials like wood or plastic. Orbital action provides a faster cut, but with a less smooth cut across the material. In orbital action, the blade moves forward during the cutting stroke in addition to the up and down motion.

NOTE: Metal or hardwoods should never be cut in orbital action.

To adjust the cutting action:

- Move the cutting action lever (9) between the four cutting positions: 0, 1, 2, and 3.
- Position 0 is straight cutting.
- Positions 1, 2, and 3 are orbital cutting.
- The aggressiveness of the cut increases as the lever is adjusted from one to three, with three being the most aggressive cut.

LED LIGHT

The jig saw is equipped with a light which projects on the cutting path.

- The light will come on when the trigger switch is depressed and will go off when the trigger switch is released.

REMOVABLE SHOE SLEEVE (FIGURE F)

The non-marring shoe sleeve (5) should be used when cutting surfaces that scratch easily, such as laminate, veneer, or paint. It can also be used to protect the shoe surface during transportation and storage.

To attach shoe sleeve, place the front of the shoe (6) into the front of the shoe sleeve (5) and lower the jig saw as shown in **figure F**. The shoe sleeve will click securely onto the rear of the shoe.

To remove shoe sleeve, grasp the sleeve from the bottom at the two rear tabs and pull down and away from the shoe.

Hints for optimum use

Sawing laminates

As the saw blade cuts on the upward stroke, splintering may occur on the surface closest to the shoe plate.

- Use a fine-tooth saw blade.
- Saw from the back surface of the workpiece.

- To minimize splintering, clamp a piece of scrap wood or hardboard to both sides of the workpiece and saw through this sandwich.

Sawing metal

- Be aware that sawing metal takes much more time than sawing wood.
- Use a saw blade suitable for sawing metal.
- When cutting thin metal, clamp a piece of scrap wood to the back surface of the workpiece and cut through this sandwich.
- Spread a film of oil along the intended line of cut for easier operation and longer blade life. For cutting aluminum, kerosene is preferred.

RIP / CIRCLE CUTTING (FIGURE G, H)

Ripping and circle cutting without a pencil line are easily done with the rip fence / circle guide (not included - available at extra cost).

Using the screw supplied with the accessory guide, position as shown in **figure G** and thread the screw into the shoe to clamp the fence securely.

When ripping, position as shown in **figure G** and slide the rip fence under the screw from either side of the saw. Set the cross bar (10) at desired distance from blade and tighten screw. For ripping, the cross bar should be down and against the straight edge of the workpiece as shown.

When circle cutting, adjust rip fence so that distance from blade to hole in fence arm (11) is at the desired radius and tighten screw. Place saw so that hole in fence arm is over center of circle to be cut (drill hole for blade or cut inward from edge of material to get blade into position). When saw is properly positioned, drive a small nail through hole in fence arm. Using rip fence as a pivot arm, begin cutting circle. For circle cutting, the cross bar should be up, as shown in **figure H**.

MAINTENANCE

Your Porter-Cable tool has been designed to operate over a long period of time with a minimum of maintenance.

Continuous satisfactory operation depends upon proper tool care and regular cleaning.

- Regularly clean the ventilation slots in your tool using a soft brush or dry cloth.
- Regularly clean the motor housing using a damp cloth. Do not use any abrasive or solvent-based cleaner. Never let any liquid get inside the tool and never immerse any part of the tool into liquid.

PROTECTING THE ENVIRONMENT



Separate collection. This product must not be disposed of with normal household waste.

Should you find one day that your Porter-Cable product needs replacement, or if it is of no further use to you, do not dispose of it with household waste. Make this product available for separate collection.



Separate collection of used products and packaging allows materials to be recycled and used again. Re-use of recycled materials helps prevent environmental pollution and reduces the demand for raw materials.

NOTE

Local regulations may provide for separate collection of electrical products from the household, at municipal waste sites or by the retailer when you purchase a new product. Porter-Cable provides a facility for the collection and recycling of Porter-Cable products once they have reached the end of their working life. To take advantage of this service please return your product to any authorised repair agent who will collect them on our behalf. You can check the location of your nearest authorised repair agent by contacting your local Porter-Cable office at the address indicated in this manual. Alternatively, a list of authorised Porter-Cable repair agents and full details of our after-sales service and contacts are available on the Internet at www.2helpU.com.

GUARANTEE

Three Year Limited Warranty

Porter-Cable will repair, without charge, any defects due to faulty materials or workmanship for three years from the date of purchase. Please return the complete unit, transportation prepaid, to any Porter-Cable Service Centre, or any authorised service station.

For warranty repair information, call (Australia) 1800 654 155 or (New Zealand) 0800 339 258. This warranty does not apply to:

- Accessories
- Damage caused where repairs have been made or attempted by others.
- Damage due to misuse, neglect, wear and tear, alteration or modification.

This warranty gives you specific legal rights and you may have other rights under the provisions of the Consumer Guarantee Act 1993 (New Zealand only), Trade Practices Act 1974 and State Legislation (Australia only). In addition to the warranty, Porter-Cable tools are covered by our:

Free One Year Service Contract

Porter Cable will also maintain the tool for free at any time during the first year of purchase. This includes labour, parts and lubrication required to restore the product to sound mechanical and/or electrical condition. Normal wear parts

are not covered in this service. Carbon brushes worn more than 50% will be replaced.

NOTE: 3 Year warranty is not applicable to items deemed as consumables. Porter Cable Reserves the right to review its warranty policy prior to launch of any new business development products.

Contact Information

Australia

Porter-Cable Tel. 03-8720 5100
20 Fletcher Road, Mooroolbark, Fax. 03-9727 5940
Victoria, 3138

New Zealand

Porter-Cable Tel. 0800 339 258
5 Te Apunga Place Fax. 09 259 1122
Mt Wellington
Auckland 1060

Contact your local council for disposal information.