
DEWALT®

XR LI-ION



www.DEWALT.com

DCV582

Figure 1

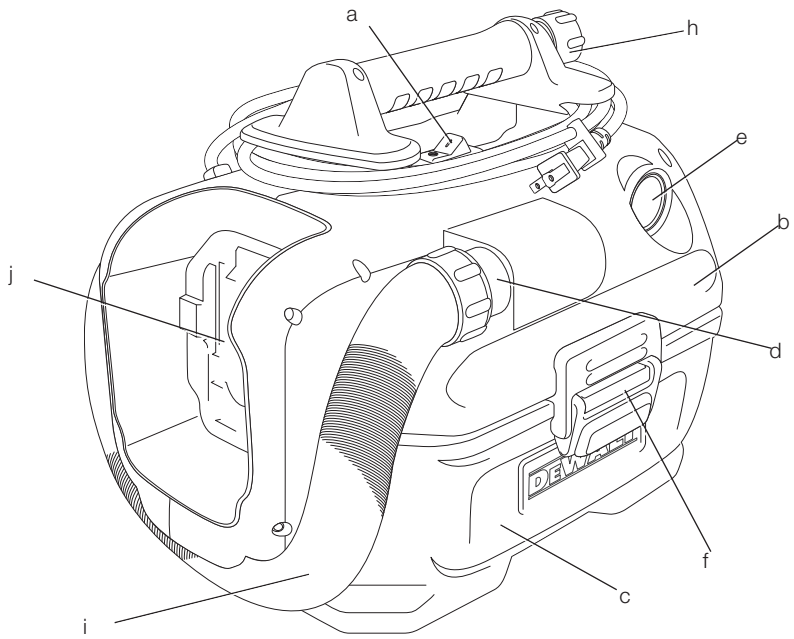


Figure 2

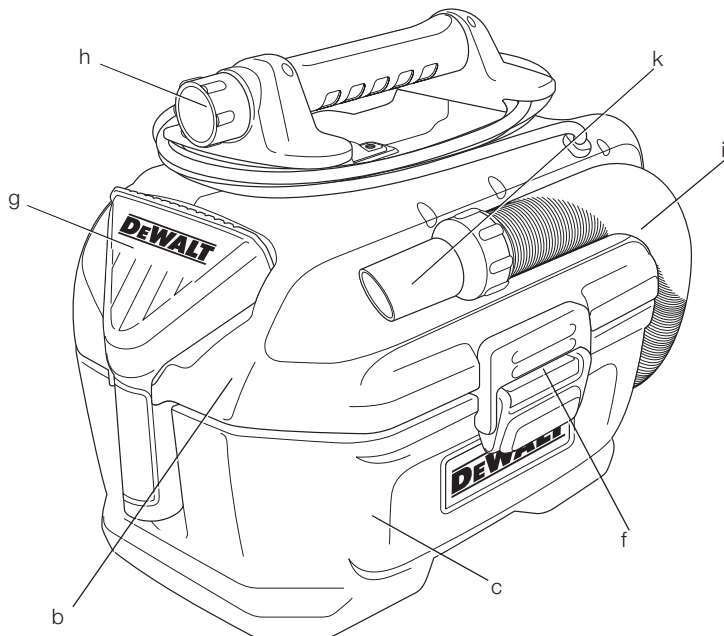


Figure 3

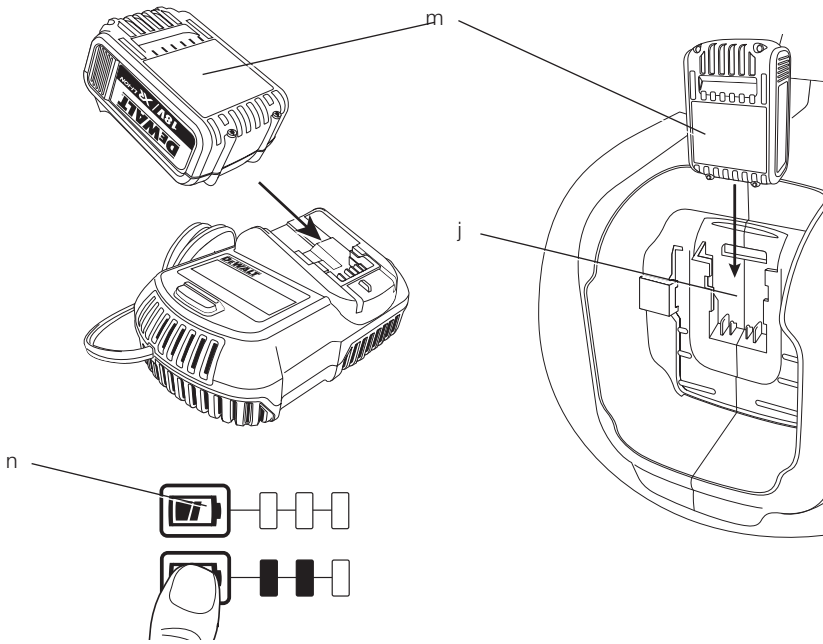


Figure 4

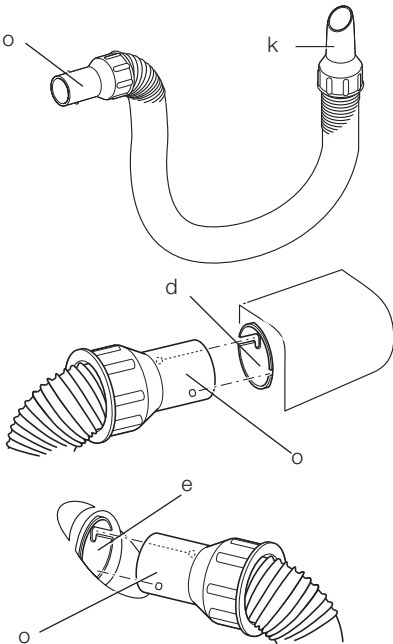


Figure 5

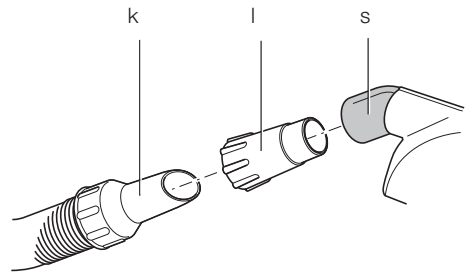


Figure 6

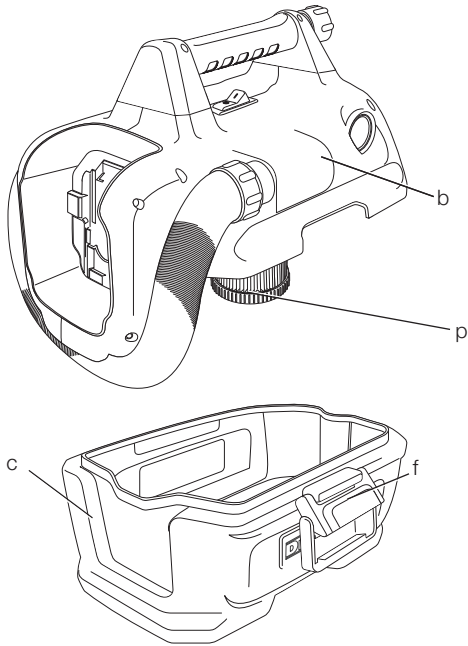
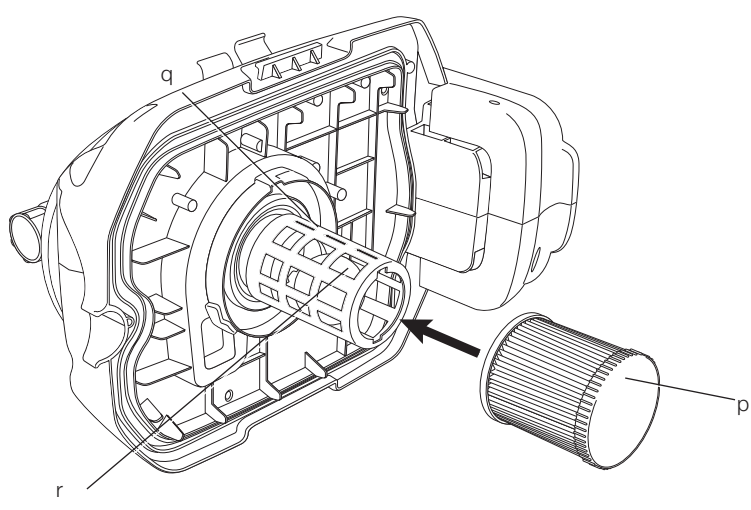


Figure 7



CORDED/CORDLESS WET/DRY VACUUM CLEANER

DCV582

Congratulations!

You have chosen a DEWALT appliance. Years of experience, thorough product development and innovation make DEWALT one of the most reliable partners for professional power tool users.

Technical Data

		DCV582
Type		1
Power source		AC / DC
Mains voltage	V _{AC}	230
UK & Ireland	V _{AC}	230 / 115
Battery voltage	V _{DC}	14.4 or 18
Power	W	300
Tank volume	l	7.5
Max. airflow	l/s	15.9
Protection class		IPX4
Hose nozzle diameter	mm	32
Weight (without battery pack)	kg	4.8
Noise values and vibration values (triax vector sum) according to EN60335		
L _{PA} (emission sound pressure level)	dB(A)	76
L _{WA} (sound power level)	dB(A)	87
K _{WA} (uncertainty for the given sound level)	dB(A)	3
Vibration emission value a _h =	m/s ²	0.6
Uncertainty K =	m/s ²	1.5

The vibration emission level given in this information sheet has been measured in accordance with a standardised test given in EN 60335 and may be used to compare one tool with another. It may be used for a preliminary assessment of exposure.



WARNING: The declared vibration emission level represents the main applications of the tool. However if the tool is used for different applications, with different accessories or poorly maintained, the vibration emission may differ. This may significantly increase the exposure level over the total working period.

An estimation of the level of exposure to vibration should also take into account

the times when the tool is switched off or when it is running but not actually doing the job. This may significantly reduce the exposure level over the total working period.

Identify additional safety measures to protect the operator from the effects of vibration such as: maintain the tool and the accessories, keep the hands warm, organisation of work patterns.

Battery pack	DCB140	DCB141	DCB142	DCB143	DCB144	DCB145
Battery type	Li-Ion	Li-Ion	Li-Ion	Li-Ion	Li-Ion	Li-Ion
Voltage	V _{DC} 14.4	14.4	14.4	14.4	14.4	14.4
Capacity	Ah 3.0	1.5	4.0	2.0	5.0	1.3
Weight	kg 0.53	0.30	0.54	0.30	0.52	0.30

Battery pack	DCB180	DCB181	DCB182	DCB183	DCB184	DCB185
Battery type	Li-Ion	Li-Ion	Li-Ion	Li-Ion	Li-Ion	Li-Ion
Voltage	V _{DC} 18	18	18	18	18	18
Capacity	Ah 3.0	1.5	4.0	2.0	5.0	1.3
Weight	kg 0.64	0.35	0.61	0.40	0.62	0.35

Charger		DCB105		
Mains voltage	V _{AC}	230		
Battery type		10.8/14.4/18 Li-Ion		
Approx. charging time min of battery packs		25 (1.3 Ah)	30 (1.5 Ah)	40 (2.0 Ah)
		55 (3.0 Ah)	70 (4.0 Ah)	90 (5.0 Ah)
Weight	kg	0.49		

Fuses		
Europe	230 V tools	10 Amperes, mains
U.K. & Ireland	230 V tools	13 Amperes, in plugs

Definitions: Safety Guidelines

The definitions below describe the level of severity for each signal word. Please read the manual and pay attention to these symbols.



DANGER: Indicates an imminently hazardous situation which, if not avoided, will result in **death or serious injury**.



WARNING: Indicates a potentially hazardous situation which, if not avoided, could result in **death or serious injury**.



CAUTION: Indicates a potentially hazardous situation which, if not avoided, **may** result in **minor or moderate injury**.

NOTICE: Indicates a practice **not related to personal injury** which, if not avoided, **may** result in **property damage**.



Denotes risk of electric shock.



Denotes risk of fire.

EC-Declaration of Conformity

MACHINERY DIRECTIVE



CORDED/CORDLESS WET/DRY VACUUM CLEANER DCV582

DEWALT declares that these products described under **Technical Data** are in compliance with: 2006/42/EC, EN 60335-1:2012, EN 60335-2-69:2012.

These products also comply with Directive 2004/108/EC (until 19.04.2016) and 2014/30/EU (from 20.04.2016). For more information, please contact DEWALT at the following address or refer to the back of the manual.

The undersigned is responsible for compilation of the technical file and makes this declaration on behalf of DEWALT.

Markus Rempel
Director Engineering
DEWALT, Richard-Klenger-Straße 11,
D-65510, Idstein, Germany
27.04.2015



CAUTION: Read the operating instruction before using the appliance.

Important Safety Instructions



WARNING! Read all safety warnings and all instructions. Failure to follow the warnings and instructions may result in electric shock, fire and/or serious injury.

SAVE ALL WARNINGS AND INSTRUCTIONS FOR FUTURE REFERENCE

BEFORE USING THIS APPLIANCE, READ AND FOLLOW ALL INSTRUCTIONS.



WARNING: Operators shall be adequately instructed on the use of these appliances.



WARNING: To reduce the risk of electric shock. Do not expose to rain. Store indoors.

- Before use, operators shall be provided with information, instruction and training for the use of the appliance and the substances for which it is to be used, including the safe method of removal and disposal of the material collected.
- Operators should observe any safety regulations appropriate to the materials being handled.
- Do not leave the appliance when it is connected to a power source. Unplug it from outlet and remove battery pack when not in use and before servicing.
- Do not allow the appliance to be used as a toy. Pay close attention when the appliance is used by or near children.
- Use this appliance **ONLY** as described in the manual. Use only DEWALT recommended attachments.
- Do not use this appliance with a damaged cord or plug. If the appliance is not working correctly, or if it has been dropped, damaged, left outdoors, or dropped in water, return it to a service centre.
- Do not pull or carry this appliance by the cord, use the cord as a handle, close a door on the cord, or pull the cord around sharp edges or corners. Do not run the appliance over the cord. Keep cord away from heated surfaces.
- Do not unplug this appliance by pulling on the cord. To unplug, grasp the plug, not the cord.
- Do not handle the plug, battery pack, or appliance with wet hands.
- Do not put any objects into the openings of the appliance. Do not use the appliance with any opening blocked; keep free of dust, lint, hair and anything else that may reduce air flow.
- Keep hair, loose clothing, fingers, and all body parts away from the openings and moving parts.
- Turn off all controls before unplugging appliance or removing the battery pack.

- Use extra care when cleaning on stairs.
- Do not use the appliance to pick up flammable or combustible liquids, such as gasoline, or use in areas where flammable or combustible liquids are present.
- Static shocks are possible in dry areas or when the relative humidity of the air is low. This is only temporary and does not affect the use of the vacuum.
- To avoid spontaneous combustion, empty tank contents after each use.

SAVE THESE INSTRUCTIONS

Additional Safety Rules

- Do not pick up anything that is burning or smoking, such as cigarettes, matches or hot ashes.
- This tool is splashproof according to protection class IPX4. Do not submerge the tool in water.
- Do not use to vacuum combustible explosive materials, such as coal, grain or other finely divided combustible material.



CAUTION: This appliance is not suitable for picking up hazardous dust.

- Do not use to vacuum hazardous, toxic or carcinogenic materials, such as asbestos or pesticide.
- Never pick up explosive liquids (e.g. gasoline, diesel fuel, heating oil, paint thinner, etc.), acids or solvents.
- Do not use vacuum without filters in place.
- Some wood contains preservatives which can be toxic. Take extra care to prevent inhalation and skin contact when working with these materials. Request and follow any safety information available from your material supplier.
- Do not use vacuum as a step ladder.
- Do not place heavy objects on vacuum.

Residual Risks

In spite of the application of the relevant safety regulations and the implementation of safety devices, certain residual risks cannot be avoided. These are:

- Risk of pinching or crushing of fingers.
- Risk of inhaling fumes when working with adhesives.
- Risk of inhaling hazardous dust.

Markings on Vacuum

The following pictograms are shown on the appliance:



Read instruction manual before use.

DATE CODE POSITION

The date code, which also includes the year of manufacture, is printed into the housing surface that forms the mounting joint between the appliance and battery.

Example:

2015 XX XX

Year of Manufacture

Important Safety Instructions for All Battery Chargers

SAVE THESE INSTRUCTIONS: This manual contains important safety and operating instructions for compatible battery chargers (refer to **Technical Data**).

- Before using charger, read all instructions and cautionary markings on charger, battery pack, and product using battery pack.



WARNING: Shock hazard. Do not allow any liquid to get inside charger. Electric shock may result.



WARNING: We recommend the use of a residual current device with a residual current rating of 30mA or less.



CAUTION: Burn hazard. To reduce the risk of injury, charge only DEWALT rechargeable batteries. Other types of batteries may burst causing personal injury and damage.



CAUTION: Children should be supervised to ensure that they do not play with the appliance.

NOTICE: Under certain conditions, with the charger plugged into the power supply, the exposed charging contacts inside the charger can be shorted by foreign material. Foreign materials of a conductive nature such as, but not limited to, steel wool, aluminum foil or any buildup of metallic particles should be kept away from charger cavities. Always unplug the charger from the power supply when there is no battery pack in the cavity. Unplug charger before attempting to clean

- **DO NOT attempt to charge the battery pack with any chargers other than the ones in this manual.** The charger and battery pack are specifically designed to work together.
- **These chargers are not intended for any uses other than charging DEWALT rechargeable batteries.** Any other uses may result in risk of fire, electric shock or electrocution.
- **Do not expose charger to rain or snow.**
- **Pull by plug rather than cord when disconnecting charger.** This will reduce risk of damage to electric plug and cord.
- **Make sure that cord is located so that it will not be stepped on, tripped over, or otherwise subjected to damage or stress.**
- **Do not use an extension cord unless it is absolutely necessary.** Use of improper extension cord could result in risk of fire, electric shock, or electrocution.
- **Do not place any object on top of charger or place the charger on a soft surface that might block the ventilation slots and result in excessive internal heat.** Place the charger in a position away from any heat source. The charger is ventilated through slots in the top and the bottom of the housing.
- **Do not operate charger with damaged cord or plug—have them replaced immediately.**
- **Do not operate charger if it has received a sharp blow, been dropped, or otherwise damaged in any way.** Take it to an authorised service centre.
- **Do not disassemble charger; take it to an authorised service centre when service or repair is required.** Incorrect reassembly may result in a risk of electric shock, electrocution or fire.
- **In case of damaged power supply cord the supply cord must be replaced immediately by the manufacturer, its service agent or similar qualified person to prevent any hazard.**
- **Disconnect the charger from the outlet before attempting any cleaning. This will reduce the risk of electric shock.** Removing the battery pack will not reduce this risk.
- **NEVER attempt to connect two chargers together.**
- **The charger is designed to operate on standard 230 V household electrical power. Do not attempt to use it on any other voltage.** This does not apply to the vehicular charger.

SAVE THESE INSTRUCTIONS

Chargers

The DCB105 charger accepts 10.8V, 14.4V and 18V Li-Ion XR (DCB140, DCB141, DCB142, DCB143, DCB144, DCB145, DCB180, DCB181, DCB182, DCB183, DCB184 and DCB185) battery packs.

DEWALT chargers require no adjustment and are designed to be as easy as possible to operate.





Charging Procedure (fig. 3)

1. Plug the charger into an appropriate outlet before inserting battery pack.
2. Insert the battery pack (m) into the charger. The red (charging) light will blink continuously indicating that the charging process has started.
3. The completion of charge will be indicated by the red light remaining ON continuously. The pack is fully charged and may be used at this time or left in the charger.

NOTE: To ensure maximum performance and life of lithium-ion batteries, charge the battery pack fully before first use.

Charging Process

Refer to the table below for the state of charge of the battery pack.

Charge indicators: DCB105	
 charging	— — — —
 fully charged	————
 hot/cold pack delay	— • — • — •
 replace battery pack	• • • • • • • •

The compatible charger(s) will not charge a faulty battery pack. The charger will indicate faulty battery by refusing to light or by displaying problem pack or charger blink pattern.

NOTE: This could also mean a problem with a charger.

If the charger indicates a problem, take the charger and battery pack to be tested at an authorised service centre.

HOT/COLD PACK DELAY

When the charger detects a battery that is too hot or too cold, it automatically starts a Hot/Cold Pack Delay, suspending charging until the battery has reached an appropriate temperature. The charger then automatically switches to the pack charging mode. This feature ensures maximum battery life.

A cold battery pack will charge at about half the rate of a warm battery pack. The battery pack will charge at that slower rate throughout the entire charging cycle and will not return to maximum charge rate even if the battery warms.

LITHIUM ION BATTERY PACKS ONLY

XR Li-Ion tools are designed with an Electronic Protection System that will protect the battery against overloading, overheating or deep discharge.

The tool will automatically turn off if the Electronic Protection System engages. If this occurs, place the lithium-ion battery on the charger until it is fully charged.

Important Safety Instructions for All Battery Packs

When ordering replacement battery packs, be sure to include the catalog number and voltage.

The battery pack is not fully charged out of the carton. Before using the battery pack and charger, read the safety instructions below and then follow the charging procedures outlined.

READ ALL INSTRUCTIONS

- **Do not charge or use the battery pack in explosive atmospheres, such as in the presence of flammable liquids, gases or dust.** Inserting or removing the battery pack from the charger may ignite the dust or fumes.
- **Never force the battery pack into charger. Do not modify the battery pack in any way to fit into a non-compatible charger as battery pack may rupture causing serious personal injury.**
- Charge the battery packs only in designated DEWALT chargers.
- **DO NOT splash or immerse in water or other liquids.**
- **Do not store or use the appliance and battery pack in locations where the temperature may reach or exceed 40° C (105° F) (such as outside sheds or metal buildings in summer).**
- For best results, make sure the battery pack is fully charged before use.



WARNING: Never attempt to open the battery pack for any reason. If the battery pack case is cracked or damaged, do not insert it into the charger. Do not crush, drop or damage battery pack. Do not use a battery pack or charger that has received a sharp blow, been dropped, run over or damaged in any

way (e.g., pierced with a nail, hit with a hammer, stepped on). Electric shock or electrocution may result. Damaged battery packs should be returned to the service centre for recycling.



CAUTION: When not in use, place appliance on its side on a stable surface where it will not cause a tripping or falling hazard. Some tools with large battery packs will stand upright on the battery pack but may be easily knocked over.

SPECIFIC SAFETY INSTRUCTIONS FOR LITHIUM ION (Li-Ion)

- **Do not incinerate the battery pack even if it is severely damaged or is completely worn out.** The battery pack can explode in a fire. Toxic fumes and materials are created when lithium ion battery packs are burned.
- **If battery contents come into contact with the skin, immediately wash the area with mild soap and water.** If the battery liquid gets into the eye, rinse water over the open eye for 15 minutes or until irritation ceases. If medical attention is needed, the battery electrolyte is composed of a mixture of liquid organic carbonates and lithium salts.
- **Contents of opened battery cells may cause respiratory irritation.** Provide fresh air. If symptoms persists, seek medical attention.



WARNING: Burn hazard. Battery liquid may be flammable if exposed to spark or flame.

Transportation

DEWALT batteries comply with all applicable shipping regulations as prescribed by industry and legal standards which include UN Recommendations on the Transport of Dangerous Goods; International Air Transport Association (IATA) Dangerous Goods Regulations, International Maritime Dangerous Goods (IMDG) Regulations, and the European Agreement Concerning The International Carriage of Dangerous Goods by Road (ADR). Lithium-ion cells and batteries have been tested to section 38.3 of the UN Recommendations on the Transport of Dangerous Goods Manual of Tests and Criteria.

In most instances, shipping a DEWALT battery pack will be excepted from being classified as a fully regulated Class 9 Hazardous Material. In general, the two instances that require shipping Class 9 are:

1. Air shipping more than two DEWALT lithium-ion battery packs when the package contains only battery packs (no tools), and
2. Any shipment containing a lithium-ion battery with an energy rating greater than 100 watt hours (Wh). All lithium-ion batteries have the watt hour rating marked on the pack.

Regardless of whether a shipment is considered excepted or fully regulated, it is the shipper's responsibility to consult the latest regulations for packaging, labeling/marketing and documentation requirements.

Transporting batteries can possibly cause fire if the battery terminals inadvertently come in contact with conductive materials. When transporting batteries, make sure that the battery terminals are protected and well insulated from materials that could contact them and cause a short circuit.

The information provided in this section of the manual is provided in good faith and believed to be accurate at the time the document was created. However, no warranty, expressed or implied, is given. It is the buyer's responsibility to ensure that its activities comply with the applicable regulations.

Battery Pack

BATTERY TYPE

The DCV582 operates on 14.4 volt and 18 volt battery packs.

The DCB140, DCB141, DCB142, DCB143, DCB144, DCB145, DCB180, DCB181, DCB182, DCB183, DCB184 or DCB185 battery packs may be used. Refer to **Technical Data** for more information.

Storage Recommendations

1. The best storage place is one that is cool and dry away from direct sunlight and excess heat or cold. For optimum battery performance and life, store battery packs at room temperature when not in use.
2. For long storage, it is recommended to store a fully charged battery pack in a cool, dry place out of the charger for optimal results.

NOTE: Battery packs should not be stored completely depleted of charge. The battery pack will need to be recharged before use.

Labels on Charger and Battery Pack

In addition to the pictographs used in this manual, the labels on the charger and the battery pack may show the following pictographs:



Read instruction manual before use.



See **Technical Data** for charging time.



Battery charging.



Battery charged.



Battery defective.



Hot/cold pack delay.



Do not probe with conductive objects.



Do not charge damaged battery packs.



Do not expose to water.



Have defective cords replaced immediately.



Charge only between 4 °C and 40 °C.



Only for indoor use.



Discard the battery pack with due care for the environment.



Charge DEWALT battery packs only with designated DEWALT chargers. Charging battery packs other than the designated DEWALT batteries with a DEWALT charger may make them burst or lead to other dangerous situations.



Do not incinerate the battery pack.

Package Contents

The package contains:

- 1 Vacuum cleaner
- 1 Vacuum hose
- 1 Wide nozzle
- 1 Crevice tool
- 1 Dust extraction adapter
- 1 Filter

- 1 Instruction manual
- 1 Exploded drawing

NOTE: Battery packs, chargers and kitboxes are not included with N-models.

- Check for damage to the appliance, parts or accessories which may have occurred during transport.
- Take the time to thoroughly read and understand this manual prior to operation.

Description (fig. 1, 2)



WARNING: Never modify the vacuum or any part of it. Damage or personal injury could result.

- a. On/off switch
- b. Power head
- c. Tank
- d. Vacuum inlet
- e. Blow outlet
- f. Latch
- g. Wide nozzle
- h. Crevice tool
- i. Hose
- j. Battery port
- k. Hose nozzle
- l. Dust extraction adaptor

INTENDED USE

Your DCV582 cordless/corded vacuum cleaner has been designed to vacuum dry and wet substances in professional applications. This appliance can also be operated as a blower for removing debris from the workplace and for drying damp surfaces. Working on mains (corded) or battery (cordless) power, this appliance can be used both indoors and outdoors.

DO NOT let children come into contact with this appliance. Supervision is required when inexperienced operators use this appliance.

DO NOT use the dust extractor for combustible dust.

DO NOT use the dust extractor in explosive atmospheres.

DO NOT use under wet conditions or in presence of flammable liquids or gases.

NOTE: This appliance is suited for the commercial use, e.g. in hotels, schools, hospitals, factories, shops, offices, rental companies, and on construction sites.

- This product is not intended for use by persons (including children) suffering from diminished physical, sensory or mental abilities; lack of experience, knowledge or skills unless they are supervised by a person responsible for their safety. Children should never be left alone with this product.

Electrical Safety

The electric motor has been designed for specific voltages. Always check that the battery pack or mains voltage corresponds to the voltage on the rating plate. Also make sure that the voltage of your charger corresponds to that of your mains.



Your DEWALT charger and vacuum cleaner is double insulated in accordance with EN 60335; therefore no earth wire is required.

If the supply cord is damaged, it must be replaced by a specially prepared cord available through the DEWALT service organisation.

Mains Plug Replacement (U.K. & Ireland Only)

If a new mains plug needs to be fitted:

- Safely dispose of the old plug.
- Connect the brown lead to the live terminal in the plug.
- Connect the blue lead to the neutral terminal.



WARNING: No connection is to be made to the earth terminal.

Follow the fitting instructions supplied with good quality plugs. Recommended fuse: 3 A.

Using an Extension Cable

An extension cord should not be used unless absolutely necessary. Use an approved extension cable suitable for the power input of your charger (see **technical data**). The minimum conductor size is 1 mm²; the maximum length is 30 m.

When using a cable reel, always unwind the cable completely.

ASSEMBLY AND ADJUSTMENTS



WARNING: To reduce the risk of serious personal injury, turn appliance off and disconnect appliance from power source before making any adjustments or removing/installing attachments or accessories. An accidental start-up can cause injury.



WARNING: Use only DEWALT battery packs and chargers.

Inserting and Removing the Battery Pack from the Tool (fig. 3)

NOTE: For best results, make sure your battery pack is fully charged.

TO INSTALL THE BATTERY PACK

1. Align the battery pack (m) with the rails inside the vacuum's battery port (j).
2. Slide the pack into the battery port until the battery pack is firmly seated in the battery port and ensure that it does not disengage.

TO REMOVE THE BATTERY PACK

1. Press the battery release button and firmly pull the battery pack out of the port.
2. Insert battery pack into the charger as described in the charger section of this manual.

FUEL GAUGE BATTERY PACKS (FIG. 3)

Some DEWALT battery packs include a fuel gauge which consists of three green LED lights that indicate the level of charge remaining in the battery pack.

To actuate the fuel gauge, press and hold the fuel gauge button (n). A combination of the three green LED lights will illuminate designating the level of charge left. When the level of charge in the battery is below the usable limit, the fuel gauge will not illuminate and the battery will need to be recharged.

NOTE: The fuel gauge is only an indication of the charge left on the battery pack. It does not indicate tool functionality and is subject to variation based on product components, temperature and end-user application.

Connecting the Hose (fig. 4)

VACUUM MODE

1. Insert the notched connecting piece (o) into the vacuum inlet (d).
2. Turn the connecting piece clockwise to fix the hose into position.
3. Connect the appropriate accessory to the hose nozzle (k).

BLOW MODE

1. Insert the notched connecting piece (o) into the blow outlet (e).
2. Turn the connecting piece clockwise to fix the hose into position.
3. Connect the appropriate accessory to the hose nozzle (k).

OPERATION

Instructions for Use



WARNING: Always observe the safety instructions and applicable regulations.



WARNING: To reduce the risk of serious personal injury, turn appliance off and disconnect appliance from power source before making any adjustments or removing/installing attachments or accessories. An accidental start-up can cause injury.

Switching On and Off (fig. 1)

To switch the appliance on, set the on/off switch (a) to position **I**.

To switch the appliance off, set the on/off switch (a) to position **O**.

Power Source

This vacuum runs either on mains power or battery power. The vacuum will switch between AC (mains) and DC (battery) power automatically.

MAINS POWER

1. Fully unwind the mains cable.
2. Connect the plug to the mains outlet before turning the appliance on.
 - Always turn the vacuum off when work is finished and before unplugging.
 - Tidy the mains cable when the vacuum is not in use.

BATTERY POWER

1. Tidy the mains cable.
2. Insert a battery pack (m).
3. Make sure the battery pack is properly seated.

NOTE: The mains cable power source is only designed to power the operation of the vacuum and will not charge an installed battery pack.

Vacuuming (fig. 1, 5–7)

1. Empty and clean the tank (c) before use.
2. Connect the hose (i) to the vacuum inlet (d).
3. Select the appropriate accessory.

NOTE: We recommend not mixing wet and dry substances. When switching substances, empty and clean the tank first.

DUST COLLECTOR (FIG. 5)

In the vacuum mode, the appliance can also function as a dust collector for applications producing dust or debris.

Use the supplied dust extraction adaptor (l) to facilitate connection of a power tool (s) to the hose nozzle (k).

WET/DRY FILTER (FIG. 6)



WARNING: Always operate the appliance with the dust filter (p) in place.



WARNING: Always use the appliance in upright position. Do not tilt the appliance, in order to prevent liquids collected in the tank from entering the motor housing.



WARNING: If foam or liquid escapes from the machine, switch off immediately.



CAUTION: Clean the water level limiting device regularly and examine it for signs of damage.

SHUT-OFF FEATURE

If by mistake the appliance is used without the dust filter in place, a shut-off feature will be actuated when the liquid level in the tank has reached its maximum. A float valve will block the suction opening, after which the suction stops and the motor speed increases.

Blowing (fig. 1)

1. Empty and clean the tank (c) before use in blowing.
2. Connect the hose (i) to the blow outlet (e).
3. Select the appropriate accessory.

To Empty the Tank (fig. 6, 7)

The tank must be emptied when suction power reduces significantly.

1. Release the latches (f) and remove the power head (b) from the tank (c).
2. Empty the contents of the tank into a waste container.
3. Clean the filter (p) as described below in **Cleaning**.
4. Re-install the power head onto the tank and secure the latches.

Cleaning (fig. 6, 7)



WARNING: To reduce the risk of serious personal injury, turn appliance off and disconnect

appliance from power source and remove battery pack before cleaning, making any adjustments or removing/installing attachments or accessories. An accidental start-up can cause injury.

CLEANING THE HOUSING

Regularly clean the housing with a soft cloth.

CLEANING THE TANK

The tank should be cleaned after each use or when switching substances during use.

1. Empty the tank (c).
2. Clean the tank using mild soap and a damp cloth.
3. Dry the tank carefully using a soft cloth.

CLEANING THE WET/DRY FILTER (FIG. 7)

The wet/dry filter should be cleaned after each use.

If the filter is damaged or fails to operate properly, it must be replaced.

1. Remove the wet/dry filter (p) by turning it counterclockwise and taking it off the suction opening (q).
2. Shake off excess dust by tapping the filter into a waste container.
3. Depending on its condition, rinse the outside of the filter under lukewarm running water.
4. Secure the filter again by placing it over the suction opening and turning it clockwise.



WARNING:

- Do not wash the inside of the filter.
- Let the filter dry thoroughly if the inside becomes wet.
- Do not use a brush to clean the filter.

CLEANING THE SUCTION OPENING FILTER (FIG. 7)

The suction opening filter needs to be cleaned if the appliance is operated without the dust filter in place.

1. Keeping the float valve (r) out of the way, remove the filter from the suction opening (q).
2. Rinse the filter under lukewarm running water.
3. Dry the filter before putting it back in place.
4. Clean the float valve (r) using a damp cloth.

TROUBLESHOOTING

If your vacuum seems not to operate properly, follow the instructions below. If this does not resolve the problem, please contact your repair agent.

If Shut-off Feature Engages

1. Turn off the vacuum immediately.
2. Empty the tank as described above.
3. Clean the suction opening filter as described in **Cleaning the Suction Opening Filter**.
4. Remember to put the dust filter in place before resuming work.

MAINTENANCE

Your DEWALT vacuum has been designed to operate over a long period of time with a minimum of maintenance. Continuous satisfactory operation depends upon proper vacuum care and regular cleaning.



WARNING: To reduce the risk of serious personal injury, turn appliance off and disconnect appliance from power source and remove battery pack before making any adjustments or removing/installing attachments or accessories. An accidental start-up can cause injury.

This appliance is not user-serviceable. Take the appliance to an authorised DEWALT repair agent after approximately 40 hours of use. If problems occur before this time contact an authorised DEWALT repair agent.

The charger and battery pack are not serviceable. There are no serviceable parts inside.



Lubrication

Your vacuum cleaner requires no additional lubrication.



Cleaning



WARNING: Blow dirt and dust out of the main housing with dry air as often as dirt is seen collecting in and around the air vents. Wear approved eye protection and approved dust mask when performing this procedure.



WARNING: Never use solvents or other harsh chemicals for cleaning the non-metallic parts of the appliance. These chemicals may weaken the materials used in these parts. Use a

cloth dampened only with water and mild soap. Never let any liquid get inside the appliance; never immerse any part of the appliance into a liquid.

CHARGER CLEANING INSTRUCTIONS



WARNING: Shock hazard. Disconnect the charger from the AC outlet before cleaning. Dirt and grease may be removed from the exterior of the charger using a cloth or soft non-metallic brush. Do not use water or any cleaning solutions.

Optional Accessories



WARNING: Since accessories, other than those offered by DEWALT, have not been tested with this product, use of such accessories with this appliance could be hazardous. To reduce the risk of injury, only DEWALT recommended accessories should be used with this product.

The replacement filter (DCV5801-XJ) and air-lock adapter (DWW9000-XJ) are available as accessories at additional cost.

Consult your dealer for further information on the appropriate accessories.

Protecting the Environment



Separate collection. This product must not be disposed of with normal household waste.

Should you find one day that your DEWALT product needs replacement, or if it is of no further use to you, do not dispose of it with household waste. Make this product available for separate collection.



Separate collection of used products and packaging allows materials to be recycled and used again. Re-use of recycled materials helps prevent environmental pollution and reduces the demand for raw materials.

Local regulations may provide for separate collection of electrical products from the household, at municipal waste sites or by the retailer when you purchase a new product.

DEWALT provides a facility for the collection and recycling of DEWALT products once they have reached the end of their working life. To take advantage of this service please return your product to any authorised repair agent who will collect them on our behalf.

You can check the location of your nearest authorised repair agent by contacting your local DEWALT office at the address indicated in this manual. Alternatively, a list of authorised DEWALT repair agents and full details of our after-sales service and contacts are available on the Internet at: **www.2helpU.com**.



Rechargeable Battery Pack

This long life battery pack must be recharged when it fails to produce sufficient power on jobs which were easily done before. At the end of its technical life, discard it with due care for our environment:

- Run the battery pack down completely, then remove it from the appliance.
- Lithium-ion cells are recyclable. Take them to your dealer or a local recycling station. The collected battery packs will be recycled or disposed of properly.

Belgique et Luxembourg België en Luxemburg	Black & Decker - DEWALT Nieuwlandlaan 7, IZ Aarschot B156 B-3200 Aarschot	Dutch Tel: 32 70 220 063 French Tel:32 70 220 062	Fax: 32 70 225 585 Fax: 32 70 222 441 www.dewalt.be
Danmark	DEWALT Sluseholmen 2-4 2450 København SV		Tlf: 70201511 Fax: 70224910 www.dewalt.dk
Deutschland	DEWALT Richard Klinger Str. 11 65510 Idstein		Tel: 06126-21-1 Fax: 06126-21-2770 www.dewalt.de
Ελλάς	Black & Decker (Ελλάς) A.E. Στραβουνος 7 & Βουλιαγμένης 159 Γλυφάδα 16674, Αθήνα	Τηλ: 30 210 8981-616 Service: 30 210 8981-616 Φαξ: 30 210 8983-570	www.dewalt.gr
España	DEWALT Parque de Negocios "Mas Blau" Edificio Muntadas, c/Bergadá, 1, Of. A6 08820 El Prat de Llobregat (Barcelona)		Tel: 934 797 400 Fax: 934 797 419 www.dewalt.es
France	DEWALT 5, allée des hêtres BP 30084, 69579 Limonest Cedex		Tel: 04 72 20 39 20 Fax: 04 72 20 39 00 www.dewalt.fr
Schweiz Suisse Svizzera	DEWALT In der Luberzen 42 8902 Urdorf		Tel: 044 - 755 60 70 Fax: 044 - 730 70 67 www.dewalt.ch
Ireland	DEWALT Calpe House Rock Hill Black Rock, Co. Dublin		Tel: 00353-2781800 Fax: 00353-2781811 www.dewalt.ie
Italia	DEWALT c/o Energypark Building 03 sud, Via Monza 7/A, 20871 Vimercate (MB), IT		Tel: 800-014353 Fax: 39 039 9590 317 www.dewalt.it
Nederlands	Black & Decker - DEWALT Joulehof 12 4600 AB Bergen Op Zoom		Tel: 31 164 283 063 Fax: 31 164 283 200 www.dewalt.nl
Norge	DEWALT Postboks 4613, Nydalen 0405 Oslo		Tel: 45 25 13 00 Fax: 45 25 08 00 www.dewalt.no
Österreich	DEWALT Werkzeug Vertriebsges m.b.H Oberlaaerstrasse 248 A-1230 Wien		Tel: 01 - 66116 - 0 Fax: 01 - 66116 - 14 www.dewalt.at
Portugal	DEWALT Centro de Escritórios de Sintra Avenida Almirante Gago Coutinho, 132/134, Edifício 142710-418 Sintra 2710-418 Lisboa		Tel: 214 66 75 00 Fax: 214 66 75 75 www.dewalt.pt
Suomi	DEWALT Teknikantie 12 02150 Espoo, Finland		Puh: 010 400 430 Faksi: 0800 411 340 www.dewalt.fi
Sverige	DEWALT Box 94 431 22 Mölndal		Tel: 031 68 61 00 Fax: 031 68 60 08 www.dewalt.se
Türkiye	KALE Hırdavat ve Makina A.Ş. Defterdar Mah. Savaklar Cad. No:15 Edirnekapı / Eyüp / İSTANBUL 34050 TÜRKİYE		Tel: 0212 533 52 55 Faks: 0212 533 10 05 www.dewalt.com.tr
United Kingdom	DEWALT 210 Bath Road; Slough, Berks SL1 3YD	Tel: 01753-56 70 55 Fax: 01753-57 21 12	www.dewalt.co.uk
Middle East Africa	DEWALT P.O. Box - 17164, Jebel Ali (South Zone), Dubai, UAE		Tel: 971 4 8863030 Fax: 971 4 8863333 www.dewalt.ae