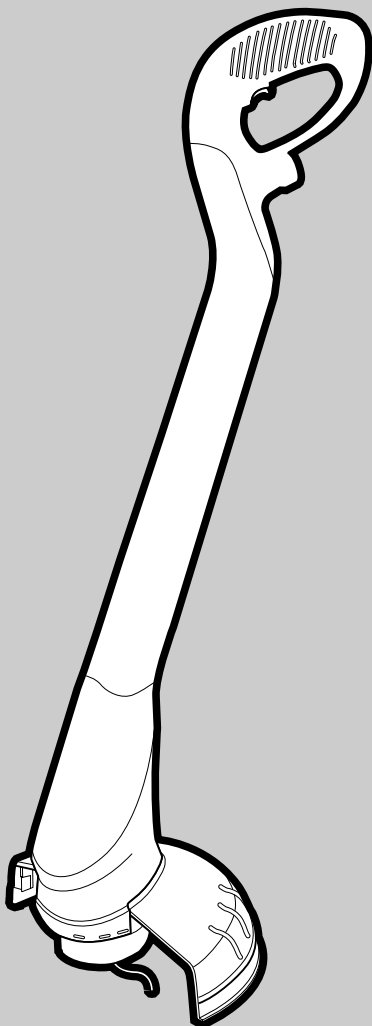


 **BLACK &  
DECKER®**



**GL20**

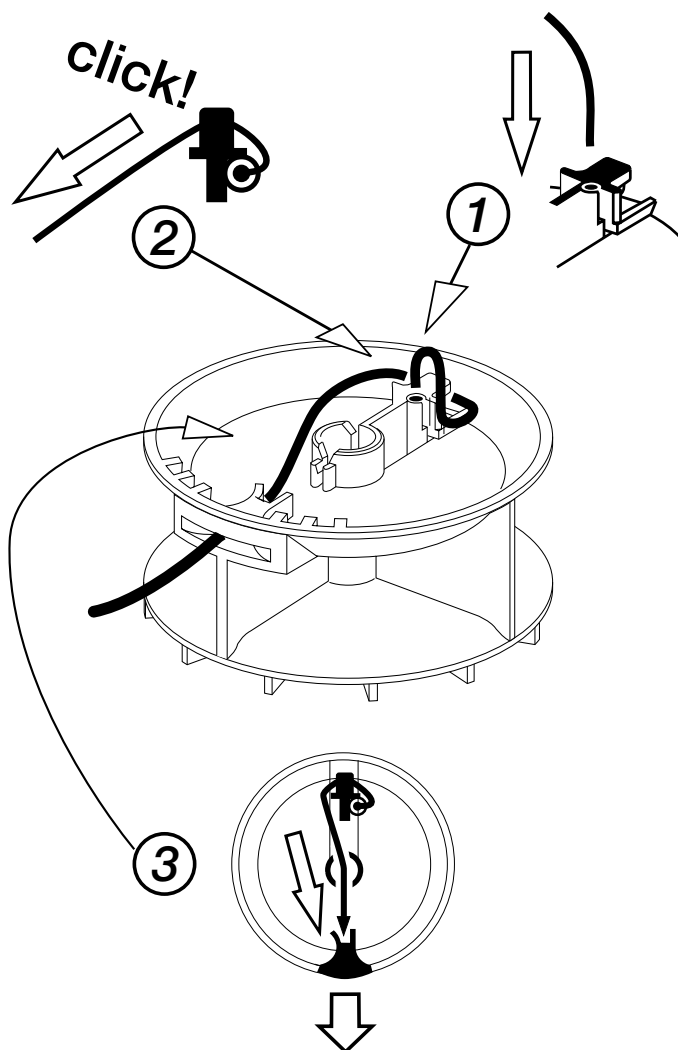
English 5

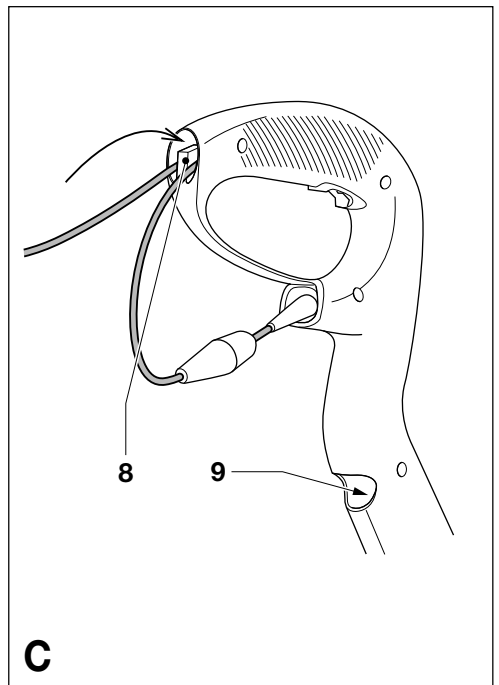
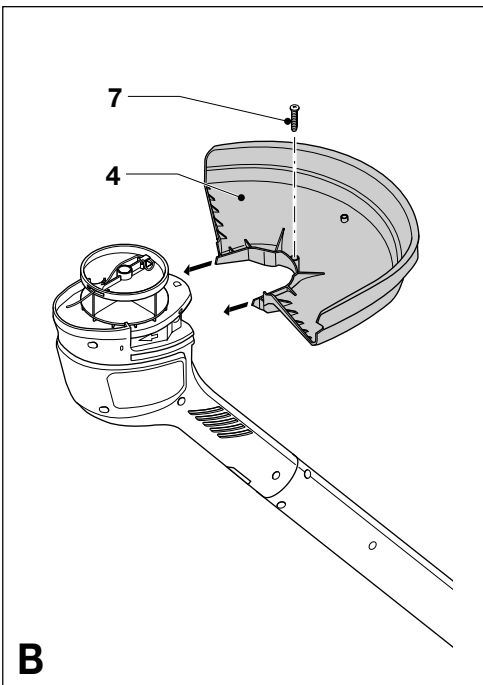
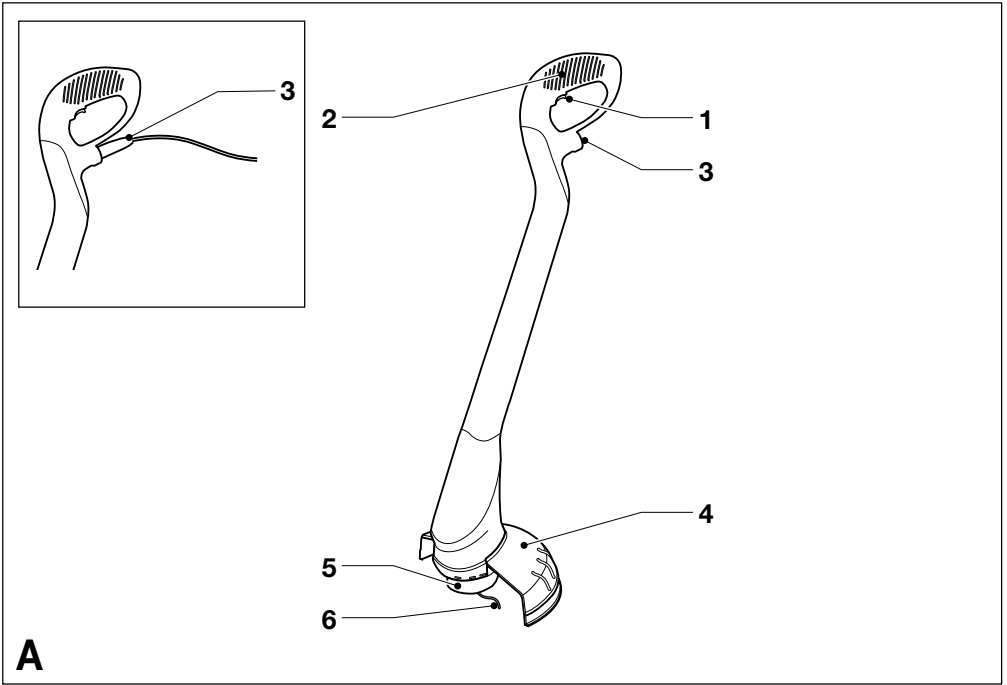
Svenska 11

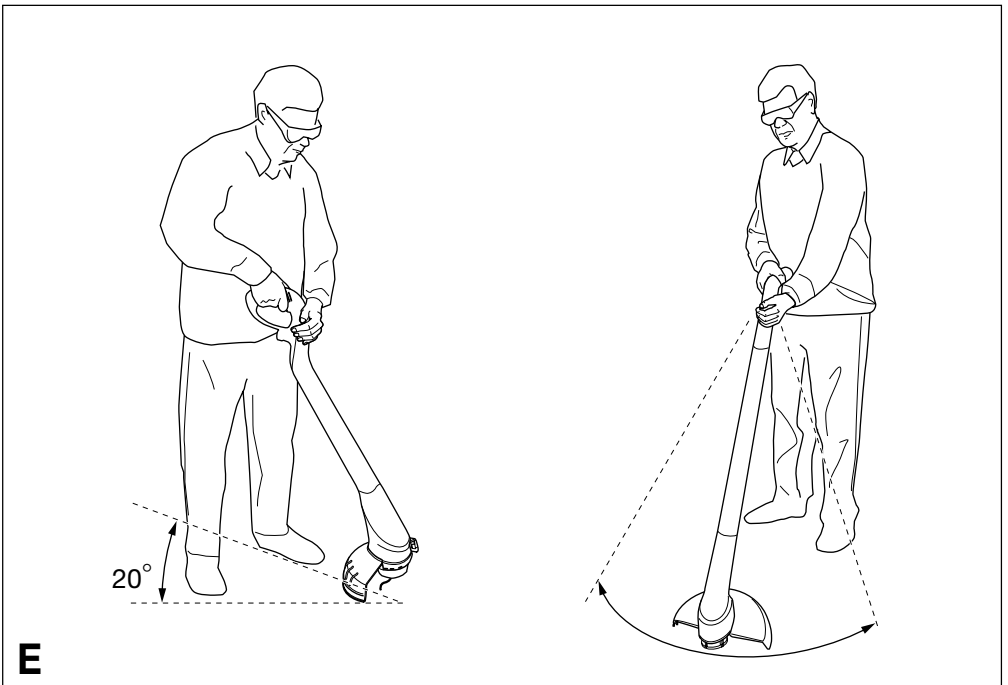
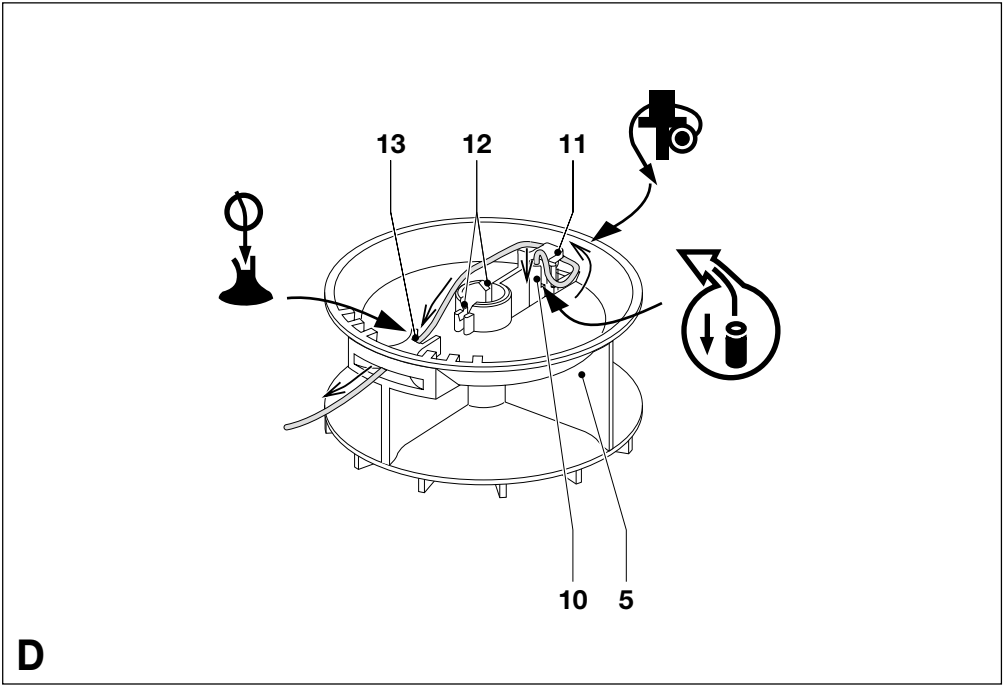
Norsk 16

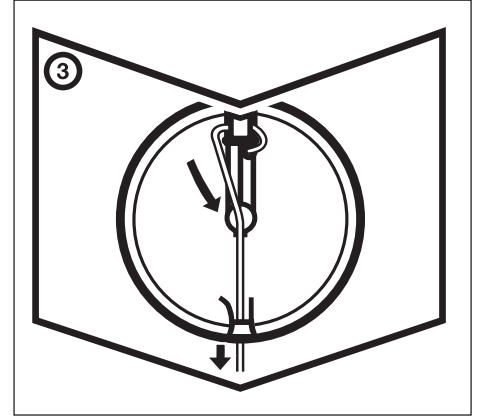
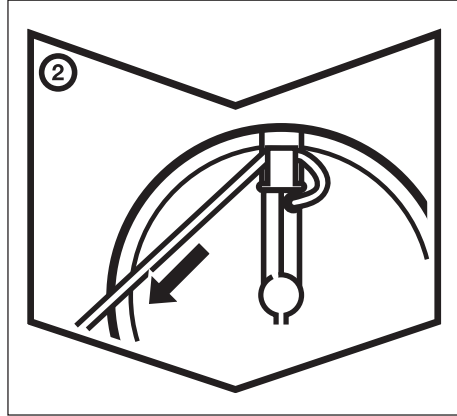
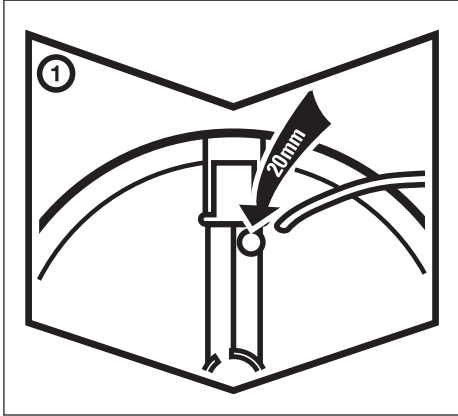
Dansk 21

Suomi 26









## ENGLISH

1. Insert one end of a new piece of cutting line into the hole.
2. Guide the line under the retaining clip and pull the line until it clicks into place.
3. Guide the line into the two slots as shown and thread the line through the exit hole.

## NEDERLANDS

1. Steek een uiteinde van een nieuw stuk snijdraad in het gat.
2. Voer de snijdraad onder de borgclip en trek totdat de draad vastklikt.
3. Voor de snijdraad zoals afgebeeld in de twee gleuven en steek de draad door de opening.

## NORSK

1. Før enden av en ny trimmertråd inn i hullet.
2. Før tråden under holderklemmen, og trekk tråden ut til den klikker på plass.
3. Før tråden inn i de to sporene som vist, og trå den gjennom utmatingshullet.

## DEUTSCH

1. Stecken Sie das eine Ende des neuen Schneidfadens in die Bohrung.
2. Führen Sie den Faden unter den Haken und ziehen Sie am Faden, bis er einrastet.
3. Führen Sie den Faden wie abgebildet in die beiden Nuten und stecken Sie den Faden durch die Öffnung.

## ESPAÑOL

1. Introduzca un extremo del hilo de corte en el agujero.
2. Guíe el hilo por debajo del clip de retención y tire del hilo hasta que se coloque en posición con un clic.
3. Guíe el hilo hacia el interior de las dos ranuras tal y como se muestra y páselo por el orificio de salida.

## DANSK

1. Indsæt den ene ende af et nyt stykke trimmertråd i hullet.
2. Før tråden under holdeclipsen og træk i tråden, til den klikker på plads.
3. Før tråden ind i de to riller som vist, og put den gennem udgangshullet.

## FRANÇAIS

1. Insérez un des extrémités d'un nouveau morceau de fil de coupe dans le trou.
2. Faites glisser le fil sous le clip de blocage et tirez-le jusqu'à ce qu'il se mette en place.
3. Faites glisser le fil dans les deux encoches comme indiqué et passez-le dans l'orifice de sortie.

## PORTUGUÊS

1. Insira no orifício uma das extremidades do novo fio de nylon.
2. Guie o fio por baixo do grampo retentor e puxe-o até encaixar no lugar.
3. Coloque o fio nas duas ranhuras conforme o indicado e passe-o pelo orifício de saída.

## SUOMI

1. Aseta uuden leikkuulangan palan toinen pää reikään.
2. Vie lanka kiinnityspidikkeen alta ja vedä lankaa, kunnes se napsahtaa paikalleen.
3. Aseta lanka kahteen uraan kuvan mukaisesti ja vie se ulostuloreiän läpi.

## ITALIANO

1. Inserire l'estremità di un nuovo pezzo di filo di taglio nel foro.
2. Guidare il filo sotto il fermo e tirarlo fino a che non si inserisce a scatto.
3. Guidare il filo nelle due fessure, come illustrato, e farlo passare attraverso il foro di uscita.

## SVENSKA

1. Stick in ena ändan av en ny bit trimtråd i hålet.
2. För in tråden under fasthållarklämman och dra i den tills den fastnar med ett knäpp.
3. För in tråden i de två skårorna enligt bilden och trä ut den genom hålet.

## ΕΛΛΗΝΙΚΑ

1. Τοποθετήστε το ένα άκρο ενός νέου κομματιού νήματος κοπής στην τρύπα.
2. Οδηγήστε το νήμα κάτω από το κλιπ συγκράτησης και τραβήξτε τη γραμμή μέχρι να κουμπώσει στη θέση της.
3. Οδηγήστε το νήμα μέσα στις δύο εγκοπές όπως εικονίζεται, και περάστε το νήμα μέσα από την οπή εξόδου.

# STRIMMER GL20

## CONGRATULATIONS!

You have chosen a Black & Decker tool. Our aim is to provide quality tools at an affordable price. We hope that you will enjoy using this tool for many years.

## EC DECLARATION OF CONFORMITY



GL20 family

Black & Decker declares that these products conform to: 98/37/EC, 89/336/EEC, 73/23/EEC, EN 60335, EN 55014, EN 61000, 2000/14/EC, Lawn trimmer,  $L \leq 50$  cm

Annex VIII, No. 00086

B.S.I., HP2 4SQ, United Kingdom

Level of sound pressure, measured according to 2000/14/EC:

			GL20 family
$L_{pA}$	(sound pressure)	dB(A)	81
$L_{WA}$	(acoustic power)	dB(A)	94
$L_{WA}$	(guaranteed)	dB(A)	96



Always wear ear protection if the sound pressure exceeds 85 dB(A).

Hand/arm weighted vibration value according to 98/37/EC:

		GL20 family
		$< 2.5$ m/s <sup>2</sup>

Brian Cooke

Director of Engineering

Spennymoor, County Durham DL16 6JG,

United Kingdom

1-12-2001

## INTENDED USE

Your Black & Decker strimmer has been designed for trimming lawn edges and to cut grass in confined spaces. This tool is intended for consumer use only.

## SAFETY INSTRUCTIONS

### Warning symbols

The following symbols are used in this manual:



Denotes risk of personal injury, loss of life or damage to the tool in case of non-observance of the instructions in this manual.



Denotes risk of electric shock.



Read the manual prior to operation.

### Know your appliance



- ◆ **Warning!** When using mains-powered appliances, basic safety precautions, including the following, should always be followed to reduce the risk of fire, electric shock and personal injury.
- ◆ Read all of this manual carefully before operating the appliance.
- ◆ Before operating the appliance, make sure that you know how to switch it off in an emergency.
- ◆ The intended use is described in this manual. The use of any accessory or attachment or performance of any operation with this appliance other than those recommended in this instruction manual may present a risk of personal injury.
- ◆ Retain this manual for future reference.

## Work area

- ◆ Do not expose the appliance to rain. Do not use the appliance in damp or wet conditions.
- ◆ Only use the appliance in daylight or good artificial light.

## Personal protection

- ◆ Wear stout shoes or boots to protect your feet. Do not operate the appliance wearing open-toed sandals or when barefoot.
- ◆ Wear long trousers to protect your legs.

## Using your appliance

- ◆ Be sure that the appliance is switched off when plugging in.
- ◆ Stay alert. Watch what you are doing. Use common sense.
- ◆ Do not operate the appliance when you are tired.
- ◆ If the appliance begins to vibrate abnormally, switch it off and remove the plug from the socket. Allow rotating parts to stop and inspect the appliance for damage and loose parts.
- ◆ Never pull the cord to disconnect the plug from the socket. Keep the cord away from heat, oil and sharp edges.
- ◆ If the mains cable is damaged during use, switch the appliance off and disconnect the plug from the mains immediately. **Do not touch the mains cable before disconnecting from the mains.**

## Safety of others

- ◆ Do not allow children or any person unfamiliar with these instructions to operate the appliance.
- ◆ Do not allow children, visitors or animals to come near the work area or to touch the appliance or mains cable.
- ◆ Remember that the operator may be held responsible for accidents or hazards occurring to other people or their property.

## After use

- ◆ Switch off, remove the plug from the socket and ensure that moving parts have stopped rotating before leaving the appliance unattended and before changing, cleaning or inspecting any parts of the appliance.

- ◆ When not in use, the appliance should be stored in a dry place. Children should not have access to stored appliances.

## Inspection and repairs

- ◆ Before use, check the appliance for damaged or defective parts. Check for misalignment and seizure of moving parts, breakage of parts, damage to guards and switches and any other conditions that may affect its operation.
- ◆ Do not use the appliance if any part is damaged or defective. Do not use the appliance if the switch does not turn it on and off.
- ◆ Never use the appliance when any guard or enclosure is damaged or not in place.
- ◆ Ensure that the appliance will operate properly and perform its intended function.
- ◆ Have any damaged or defective parts repaired or replaced by an authorised repair agent.
- ◆ Before use, check the mains cable for signs of damage, ageing and wear.
- ◆ Do not use the appliance if the mains cable is damaged or defective.
- ◆ If the mains cable is damaged or defective it must be repaired by an authorised repair agent to avoid a hazard.
- ◆ Never attempt to remove or replace any parts other than those specified in this manual.

## Additional safety instructions for grass trimmers

The following warning symbols are found on the appliance:



Wear safety glasses or goggles when operating this tool.



The cutting line will continue to run for a few seconds after switching the appliance off. Never attempt to force the line to come to a standstill.



Keep people and animals at least 6 m away from the cutting area.



Do not expose the appliance to rain or high humidity.



Switch off, remove the plug from the socket and ensure that moving parts have stopped rotating before leaving the appliance unattended and before changing, cleaning or inspecting any parts of the appliance.

- ◆ Before using the appliance, check that your cutting path is free from sticks, stones, wire and any other objects.
- ◆ Only use the appliance in the correct position, with the cutting line near the ground, as shown in the illustrations. Never switch the appliance on in any other position.
- ◆ Switch on the appliance only when hands and feet are away from the cutting line.
- ◆ Avoid body contact with the cutting line while the appliance is running.
- ◆ Do not work on steep slopes. Be sure of your footing. Be aware that freshly cut grass is damp and slippery.
- ◆ Take care when trimming near borders and gravel paths or roads, as stones and soil may be moved by the cutting line.
- ◆ Do not put the appliance down until the cutting line has come to a complete standstill.
- ◆ Use only the appropriate type of Black & Decker cutting line. Never use metal cutting line or fishing line.
- ◆ After extending new cutting line, always return the appliance to its normal operating position before switching on.
- ◆ Take care to keep the mains cable away from the cutting line. Always be aware of the position of the cable.

### ELECTRICAL SAFETY

The appliance has been designed for one voltage only. Always check that the power supply corresponds to the voltage on the rating plate.



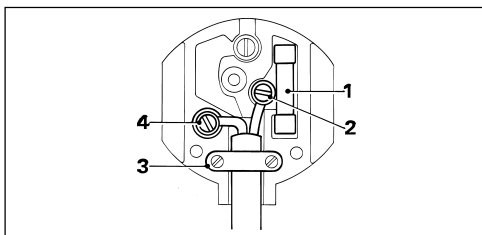
This appliance is designed for use on AC (mains) power supplies only. Do not attempt to use on any other supply.



This appliance is double insulated in accordance with EN 60335; therefore no earth wire is required.

- ◆ Prevent body contact with earthed or grounded surfaces (e.g. metal railings, lamp-posts etc.).
- ◆ Electric safety can be further improved by using a high-sensitivity (30 mA/30 mS) residual current device (RCD).

### Mains plug replacement (U.K. & Ireland only)



- ◆ Should your mains plug need replacing and you are competent to do this, proceed as instructed below. If you are in doubt, contact an authorised repair agent or a qualified electrician.
- ◆ Disconnect the plug from the supply and remove the fuse from the plug.
- ◆ Cut off the plug and dispose of it safely; a plug with bared copper conductors is dangerous if engaged in a live socket outlet.
- ◆ Only fit 13 Amperes BS1363A approved plugs fitted with the correctly rated fuse (1). Use 5 Amperes fuses.
- ◆ The cable wire colours, or a letter, will be marked at the connection points of most good quality plugs. Attach the wires to their respective points in the plug (see above). Brown is for Live (L) (2), blue is for Neutral (N) (4).
- ◆ Before replacing the top cover of the mains plug ensure that the cable restraint (3) is holding the outer sheath of the cable firmly and that the leads are correctly fixed at the terminal screws.
- ◆ If the plug has a fuse cover, make sure that the fuse cover is fitted. Do not use the plug if the fuse cover is missing or damaged.





Never use a light socket.

## Using an extension cable

Always use an approved extension cable suitable for the power input of this appliance (see rating plate). The extension cable must be suitable for outdoor use.

- ◆ Before use, inspect the cable for signs of damage, wear and ageing. Replace the extension cable if damaged or defective.
- ◆ When using a cable reel, always unwind the cable completely.
- ◆ Take care to keep the cable away from the cutting line. Always be aware of the position of the cable.

## CARTON CONTENTS

The carton contains:

- 1 Grass trimmer
- 1 Guard with mounting screw
- 1 Pack with pieces of cutting line
- 1 Instruction manual

- ◆ Carefully unpack all parts.

## OVERVIEW (fig. A)

1. On/off switch
2. Handle
3. Power inlet (not for UK)
3. Mains cable (UK)
4. Guard
5. Line retainer
6. Cutting line

## ASSEMBLY



Before assembly, make sure that the tool is switched off and unplugged.

## Fitting the guard (fig. B)

- ◆ Unplug the tool.
- ◆ Remove the screw (7) from the guard (4).
- ◆ Place the guard (4) onto the tool as shown.
- ◆ Firmly press the guard until it snaps into place.
- ◆ Secure the guard with the screw (7).



Never use the tool unless the guard is properly fitted.

## Fitting a new piece of cutting line (fig. C & D)

Replacement packs containing pieces of pre-cut cutting line are available from your Black & Decker dealer (cat. no. A5995). Alternatively, you can purchase a pack containing 25 or 40 m of cutting line (A6170/A6171) and cut the line into pieces of 177 mm each. The tool is equipped with a storage compartment (9) for pieces of cutting line (fig. C).

- ◆ Unplug the tool.
- ◆ Remove any remaining cutting line from the line retainer.
- ◆ Remove any dirt and grass from the line retainer.
- 1. Insert one end of a new piece of cutting line into the hole (10).
- 2. Guide the line under the retaining clip (11) and pull the line until it clicks into place.
- 3. Guide the line into the two slots (12) as shown and thread the line through the exit hole (13).
- ◆ Make sure the line is securely fitted.



Only use 1.5 mm diameter Black & Decker cutting line.

## Connecting the tool to the mains (fig. A & C)

Unless the tool is fitted with a mains cable, you will need to connect an extension cable to the power inlet (3).

- ◆ Connect the female socket of a suitable extension cable to the power inlet (3).
- ◆ Loop the cable through the cable restraint (8) as shown to prevent the extension cable from becoming detached during use.
- ◆ Insert the mains plug into a mains outlet.



The extension cable must be suitable for outdoor use.

## USE



Let the tool work at its own pace. Do not overload.

**Switching on and off (fig. A)**

- ◆ To switch the tool on, push the on/off switch (1).
- ◆ To switch the tool off, release the the on/off switch.



Never attempt to lock a switch in the on position.



Before proceeding, unplug the tool.

**Tool does not start**

- ◆ Check that the power cables are properly connected.
- ◆ Check the mains fuses.

**Tool vibrates strongly**

- ◆ Carefully clean the line retainer.
- ◆ Check that the line retainer is firmly attached and that it is not damaged. Have it repaired or replaced if necessary.
- ◆ Check that the cutting line is present and properly fitted.
- ◆ Check the cutting line for damage. Replace if necessary.

**Hints for optimum use**

- ◆ Hold the tool as shown in fig. E.
- ◆ Gently swing the trimmer from side to side as shown in fig. E.
- ◆ When cutting long grass, work in stages from the top.
- ◆ Keep the tool away from hard objects and delicate plants.
- ◆ If the tool starts running slowly, reduce the load.
- ◆ In order to achieve optimum cutting results, only cut dry grass.
- ◆ Replace the cutting line when worn.

**MAINTENANCE**

Your Black & Decker tool has been designed to operate over a long period of time with a minimum of maintenance. Continuous satisfactory operation depends upon proper tool care and regular cleaning.



- ◆ Before performing any maintenance, switch off and unplug the tool.
- ◆ Do not use any abrasive or solvent-based cleaner.
- ◆ Regularly clean the ventilation slots in your tool using a soft brush or dry cloth.
- ◆ Regularly clean the cutting line and line retainer using a soft brush or dry cloth.
- ◆ Regularly use a blunt scraper to remove grass and dirt from the underneath of the guard.
- ◆ Regularly check the cutting line for wear.

**TROUBLESHOOTING**

If your tool seems not to operate properly, follow the instructions below. If this does not solve the problem, please contact your local Black & Decker repair agent.

**PROTECTING THE ENVIRONMENT**

Black & Decker provides a facility for recycling Black & Decker products once they have reached the end of their working life. This service is provided free of charge. To take advantage of this service please return your product to any authorised repair agent who will collect them on our behalf.

You can check the location of your nearest authorised repair agent by contacting your local Black & Decker office at the address indicated in this manual. Alternatively, a list of authorised Black & Decker repair agents and full details of our after-sales service and contacts are available on the Internet at: **[www.2helpU.com](http://www.2helpU.com)**.

**GUARANTEE**

Black & Decker is confident of the quality of its products and offers an outstanding guarantee. This guarantee statement is in addition to and in no way prejudices your statutory rights. The guarantee is valid within the territories of the Member States of the European Union and the European Free Trade Area.

If a Black & Decker product becomes defective due to faulty materials, workmanship or lack of conformity, within 24 months from the date of purchase, Black & Decker guarantees to replace defective parts, repair products subjected to fair wear and tear or replace such products to ensure minimum inconvenience to the customer unless:

- ◆ The product has been used for trade, professional or hire purposes;
- ◆ The product has been subjected to misuse or neglect;
- ◆ The product has sustained damage through foreign objects, substances or accidents;
- ◆ Repairs have been attempted by other persons than authorised repair agents or Black & Decker service staff.

To claim on the guarantee, you will need to submit proof of purchase to the seller or an authorised repair agent. You can check the location of your nearest authorised repair agent by contacting your local Black & Decker office at the address indicated in this manual. Alternatively, a list of authorised Black & Decker repair agents and full details of our after-sales service and contacts are available on the Internet at:

**[www.2helpU.com](http://www.2helpU.com)**.

## OTHER OUTDOOR TOOLS

Black & Decker has a full range of outdoor power tools that make life in the garden easy. If you would like further information on the following products, please contact our Service and Information Centre (see the address page towards the end of this manual) or your local Black & Decker retailer.

String trimmers	Chainsaws
Cordless shear	Hedgetrimmers
Lawnmowers	Lawnrakers
Leafbusters	Shredders

Not all products are available in all countries.

# GRÄSTRIMMARE GL20

## BÄSTE KUND!

Tack för att du har valt ett verktyg från Black & Decker. Vi hoppas att du kommer att få glädje av verktyget i många år.

## CE-FÖRSÄKRAN OM ÖVERENSSTÄMMELSE



GL20

Black & Decker förklarar att dessa verktyg är konstruerade i överensstämmelse med: 98/37/EEG, 89/336/EEG, 73/23/EEG, EN 60335, EN 55014, EN 61000, 2000/14/EEG, Grästrimmare, L ≤ 50 cm

Annex VIII, No. 00086  
B.S.I., HP2 4SQ, England

Ljudnivå, uppmätt enligt 84/538/EEG:

		GL20
$L_{pA}$ (ljudtryck)	dB(A)	81
$L_{WA}$ (ljudeffekt)	dB(A)	94
$L_{WA}$ (garanterad)	dB(A)	96



Använd hörselskydd om ljudnivån överskrider 85 dB(A).

Det vägda geometriska medelvärdet av vibrationsfrekvensen enligt 98/37/EEG:

	GL20
	< 2,5 m/s <sup>2</sup>

Brian Cooke  
Director of Engineering  
Spennymoor, County Durham DL16 6JG,  
United Kingdom  
1-12-2001

## ANVÄNDNINGSSOMRÅDE

Din Black & Decker grästrimmare är avsedd för trimning och kantklippning av gräsmattor och för gräsklippning på svåråtkomliga ställen. Verktyget är endast avsett för bruk i hemmet.

## SÄKERHETSINSTRUKTIONER

### Symboler

Följande symboler har använts i bruksanvisningen:



Anger risk för personskada, livsfara eller skada på verktyg om du inte följer de instruktioner som står i bruksanvisningen.



Anger risk för elektrisk stöt.



Läs bruksanvisningen innan du använder verktyget.

### Lär känna verktyget



- ♦ **Varning!** När man använder elverktyg är det viktigt att man bl.a. följer nedanstående säkerhetsanvisningar för att minska risken för brand, elektriska stötar och personsador.
- ♦ Läs bruksanvisningen noggrant innan du använder verktyget.
- ♦ Var säker på att du vet hur man stänger av verktyget innan du börjar använda det.
- ♦ Använd inte verktyg för ändamål de inte är avsedda för. Använd endast tillbehör och tillsatser som är rekommenderade i bruksanvisningen och katalogerna. Användning av annat verktyg eller tillbehör kan innebära risk för personskada.
- ♦ Spara bruksanvisningen lättillgängligt.

## Arbetsområde

- ♦ Utsätt inte verktyget för regn. Använd inte verktyget på fuktiga eller våta platser.
- ♦ Använd endast verktyget i dagsljus eller bra belysning.

## Skyddskläder

- ♦ Skydda fötterna genom att använda kraftiga skor eller stövlar. Gå aldrig barfota eller i öppna sandaler när du använder verktyget.
- ♦ Skydda benen genom att använda långbyxor.

## Användning av verktyget

- ♦ Kontrollera att verktyget är avstängt innan du sätter i kontakten.
- ♦ Var uppmärksam. Titta på det du gör. Använd sunt förnuft.
- ♦ Använd inte verktyget när du är trött.
- ♦ Om verktyget börjar vibrera onormalt, stäng genast av det och drag ut kontakten. Vänta tills verktyget har stannat helt och kontrollera eventuella skador eller lösa delar.
- ♦ Drag aldrig i sladden när du tar ut stickkontakten. Utsätt inte sladden för värmekällor, olja eller skarpa kanter.
- ♦ Stäng genast av verktyget och drag ut kontakten om sladden skadats under användning. Vidrör inte sladden förrän kontakten är urdragen.

## Andra personers säkerhet

- ♦ Låt aldrig barn, eller personer som inte har läst denna bruksanvisning använda verktyget.
- ♦ Tillåt inte barn, besökande eller djur att komma i närheten av arbetsplatsen eller att röra vid verktyget eller sladden.
- ♦ Tänk på att användaren kan göras ansvarig för skada på annan person eller egendom.

## Efter användning

- ♦ Stäng av verktyget, drag ut kontakten och vänta tills de roterande delarna har stannat helt innan du lämnar verktyget utan tillsyn, eller innan du byter, rengör eller kontrollerar någon del av verktyget.
- ♦ När verktyget inte används skall det förvaras på en torr plats, utom räckhåll för barn.

## Kontroll och reparation

- ♦ Kontrollera att verktyget inte är skadat innan det används. Kontrollera att de rörliga delarna inte har fastnat eller är felmonterade. Kontrollera även att övriga delar och skydd inte är skadade och att det inte föreligger några andra fel som kan påverka verktygets funktion.
- ♦ Använd inte verktyget om fel uppstår på någon av dess delar. Använd inte verktyget om det inte kan kopplas till och från med strömbrytaren.
- ♦ Använd aldrig verktyget om inte alla skydd och kåpor är på plats.
- ♦ Kontrollera att verktyget fungerar riktigt och kan utföra de avsedda funktionerna.
- ♦ Om fel uppstår skall delarna repareras eller bytas ut av en auktoriserad Black & Decker serviceverkstad.
- ♦ Innan användning, kontrollera att sladden inte är skadad eller sliten.
- ♦ Använd aldrig verktyget om sladden är skadad.
- ♦ Om sladden är skadad måste den bytas ut av en auktoriserad Black & Decker serviceverkstad.
- ♦ Försök aldrig ta bort eller byta ut andra delar än de som nämns i denna bruksanvisning.

## Extra säkerhetsinstruktioner för grästrimmare

Följande varningssymboler finns på verktyget:



Använd skyddsglasögon under arbetet med maskinen.



Trimtråden stannar först några sekunder efter det att verktyget har stängts av. Försök aldrig tvinga trimtråden att stanna.



Tillåt inte barn och djur att uppehålla sig närmare arbetsområdet än 6 meter.



Utsätt inte verktyget för regn eller hög luftfuktighet.



Stäng av verktyget, drag ut kontakten och vänta tills de roterande delarna har stannat helt innan du lämnar verktyget utan tillsyn, eller innan du byter, rengör eller kontrollerar någon del av verktyget.

- ♦ Innan du börjar arbeta ska du kontrollera att arbetsområdet är fritt från pinnar, stenar, ståltrådar och andra föremål.
- ♦ Håll alltid verktyget i rätt läge, med trimtråden nära marken, se illustrationerna. Starta aldrig verktyget i något annat läge.
- ♦ Händer och fötter skall hållas borta från trimtråden innan verktyget startas.
- ♦ Undvik kroppskontakt med trimtråden när verktyget är igång.
- ♦ Arbeta inte i branta sluttningar. Se till att du står stadigt. Tänk på att nyklippt gräs är fuktigt och halt.
- ♦ Var försiktig i närheten av rabatter, grusgångar eller vägar, trimtråden kan slänga upp jord och grus.
- ♦ Lägg inte ner verktyget förrän trimtråden har stannat helt.
- ♦ Använd endast trimtråd som rekommenderas av Black & Decker. Använd aldrig trimtråd av metall eller fiskelina.
- ♦ När ny trimtråd har dragits fram, måste verktyget alltid återställas till sitt vanliga driftsläge innan det startas.
- ♦ Var noga med att hålla undan sladden från trimtråden. Håll alltid reda på var sladden finns.

### ELEKTRISK SÄKERHET

Verktyget är endast avsett för en spänning. Kontrollera alltid att nätspänningen överenskommer med värdet på märkplåten.



Verktyget är dubbelisolerat motsvarande EN 60335.

- ♦ Undvik kontakt mellan kroppen och jordade ytor (t.ex. metallräcken, lyktstolpar m.m.).
- ♦ Elsäkerheten kan förbättras ytterligare genom användning av en jordfelsbrytare med hög känslighet (30 mA/30 mS).

### Användning med förlängningssladd

Använd alltid en godkänd förlängningssladd som är lämpad för verktygets strömförbrukning (se märkplåten). Förlängningssladden måste vara avsedd för utomhusbruk.

- ♦ Innan användning, kontrollera att sladden inte är skadad eller sliten. Byt ut förlängningssladden om den är skadad.
- ♦ Om du använder en sladdvinda, vira alltid av hela sladden.
- ♦ Var noga med att hålla undan sladden från trimtråden. Håll alltid reda på var sladden finns.

### KARTONGENS INNEHÅLL

Kartongen innehåller:

- 1 Grässtrimmare
- 1 Skydd med monteringskruv
- 1 Paket med trimtråd
- 1 Bruksanvisning

- ♦ Packa försiktigt upp alla delar.

### ÖVERSIKT (fig. A)

1. Strömbrytare
2. Handtag
3. Elkontakt
4. Skydd
5. Trådhållare
6. Trimtråd

### MONTERING



Se till att verktyget är avstängt samt att det inte är anslutet innan monteringen börjar.

### Montering av skyddet (fig. B)

- ♦ Dra ur kontakten.
- ♦ Ta bort skruven (7) från skyddet (4).
- ♦ Placera skyddet (4) på verktyget enligt figuren.
- ♦ Tryck på skyddet ordentligt tills det snäpper fast på plats.
- ♦ Lås fast skyddet med skruven (7).



Använd inte verktyget om inte skyddet är korrekt monterat.

### Montering av ny trimtråd (fig. C & D)

Nya paket med färdiga längder trimtråd kan erhållas hos din Black & Decker återförsäljare (kat. nr. A5995). Du kan även köpa ett paket med 25 eller 40 m trimtråd (A6170/A6171) och själv skära den i 177 mm längder.

Verktyget har ett förvaringsfack (9) för trimtråd.

- ♦ Dra ur kontakten.
  - ♦ Ta bort eventuell trimtråd som finns kvar på trådållaren.
  - ♦ Avlägsna eventuell smuts och gräs från trådållaren.
1. Stick in ena ändan av en ny bit trimtråd i hålet (10).
  2. För in tråden under fasthållarklämman (11) och dra i den tills den fastnar med ett knäpp.
  3. För in tråden i de två skårorna (12) enligt bilden och trä ut den genom hålet (13).

- ♦ Kontrollera att tråden sitter fast ordentligt.



Använd endast Black & Decker trimtråd med 1,5 mm diameter.

### Anslutning av verktyget till nätuttaget

(fig. A & C)

- ♦ Anslut honkontakten på en lämplig förlängningssladd till elkontakten (3).
- ♦ För sladden genom sladdhållaren (8) enligt figuren för att undvika att förlängningssladden lossnar under användning.
- ♦ Sätt i kontakten i ett vägguttag.



Förlängningssladden måste vara avsedd för utomhusbruk.

### ANVÄNDNING



Överbelasta inte maskinen, låt den arbeta i sin egen takt.

### Start och stopp (fig. A)

- ♦ Tryck på strömbrytaren (1) för att slå på verktyget.
- ♦ Tryck åter på strömbrytaren för att stänga av verktyget.



Försök aldrig låsa en strömbrytare i startläge.

### Råd för bästa resultat

- ♦ Håll verktyget enligt figur E.
- ♦ Sväng grästrimmaren med jämna rörelser fram och tillbaka enligt figur E.
- ♦ Om gräset är långt, klipp det i flera omgångar.

- ♦ Undvik hårda föremål och ömtåliga växter.
- ♦ Minska belastningen om verktyget börjar gå långsamt.
- ♦ För att få bästa möjliga resultat ska du bara klippa torrt gräs.
- ♦ Byt ut trimtråden när den är utsliten.

### SKÖTSEL

Ditt Black & Decker verktyg har tillverkats för att fungera under lång tid med ett minimum av skötsel. Med rätt underhåll och regelbunden rengöring bibehåller verktyget sin prestanda.



Vid underhåll och skötsel skall verktyget vara avstängt och sladden utdragen.

- ♦ Rengör regelbundet verktygets ventilationsöppningar med en mjuk borste eller torr trasa.
- ♦ Rengör trimtråden och trådållaren regelbundet med en mjuk borste eller torr trasa.
- ♦ Använd en trubbig skrapa för att regelbundet avlägsna gräs från skyddets undersida.
- ♦ Kontrollera regelbundet att trimtråden inte är sliten.



Använd aldrig lösningsmedel eller frätande rengöringsmedel.

### FELSÖKNING

Följ anvisningarna nedan om något problem uppkommer. Kontakta din auktoriserade Black & Decker serviceverkstad om du inte kan lösa problemet.



Dra ur sladden innan du fortsätter.

### Verktyget startar inte

- ♦ Kontrollera att sladden är ordentligt ansluten.
- ♦ Kontrollera elnätets säkringar.

### Verktyget vibrerar onormalt

- ♦ Rengör trådållaren noggrant.
- ♦ Kontrollera att trådållaren sitter fast ordentligt och inte är skadad. Låt den repareras eller bytas ut om det behövs.

- ◆ Kontrollera att trimtråden finns på plats och är rätt monterad.
- ◆ Kontrollera att trimtråden inte är skadad. Vid behov, byt ut trimtråden.

## MILJÖ



När ditt verktyg är utslitet, skydda naturen genom att inte slänga det tillsammans med vanligt avfall. Lämna det till de uppsamlingsställen som finns i din kommun eller där du köpt verktyget.

## GARANTI

Black & Decker garanterar att produkten är fri från material- och/eller fabriktionsfel vid leverans till kund. Garantin är i tillägg till konsumentens lagliga rättigheter och påverkar inte dessa. Garantin gäller inom medlemsstaterna i Europeiska Unionen och i det Europeiska Frihandelsområdet.

Om en Black & Decker produkt går sönder på grund av material- och/eller fabriktionsfel eller brister i överensstämmelse med specifikationen, inom 24 månader från köpet, åtar sig Black & Decker att reparera eller byta ut produkten med minsta besvär för kunden.

Garantin gäller inte för fel som beror på:

- ◆ normalt slitage
- ◆ felaktig användning eller skötsel
- ◆ att produkten skadats av främmande föremål, ämnen eller genom olyckshändelse

Garantin gäller inte om reparation har utförts av någon annan än en auktoriserad Black & Decker verkstad.

För att utnyttja garantin skall produkten och inköpskvittot lämnas till återförsäljaren eller till en auktoriserad verkstad senast 2 månader efter det att felet har upptäckts. För information om närmaste auktoriserad verkstad; kontakta det lokala Black & Decker kontoret på den adress som är angiven i bruksanvisningen. En lista på alla auktoriserade verkstäder samt servicevillkor finns även tillgängligt på Internet, adress:

[www.2helpU.com](http://www.2helpU.com).

## RESERVDELAR / REPARATIONER

Reservdelar finns att köpa hos auktoriserade Black & Decker verkstäder, som även ger kostnadsförslag och reparerar våra produkter.

Förteckning över våra auktoriserade verkstäder finns på Internet, vår hemsida

[www.blackdecker.se](http://www.blackdecker.se) samt [www.2helpU.com](http://www.2helpU.com).

## ANDRA TRÄDGÅRDSREDSKAP

Black & Decker AB har ett brett sortiment av verktyg för utomhusbruk som gör arbetet i trädgården enklare. Kontakta närmaste Black & Decker återförsäljare för ytterligare information eller besök vår hemsida [www.blackdecker.se](http://www.blackdecker.se).

Mossrivare

Kedjesågar

Grästrimmare

Kompostkvarnar

Häcksaxar

Gräsklippare

Trädgårdsstädare

Alla produkter är inte tillgängliga i vissa länder.



# GRESSTRIMMER GL20

Du har valgt et Black & Decker verktøy. Vi håper at du vil ha glede av dette verktøyet i mange år fremover.

## CE-SIKKERHETSERKLÆRING



GL20  
Black & Decker erklærer at disse verktøyer er konstruert i henhold til: 98/37/EØF, 89/336/EØF, 73/23/EØF, EN 60335, EN 55014, EN 61000, 2000/14/EØF, Gresstrimmer, L ≤ 50 cm

Annex VIII, No. 00086  
B.S.I., HP2 4SQ, England

Lydnivået, målt i henhold til 2000/14/EC:

		GL20
L <sub>PA</sub>	(lydnivå)	81
L <sub>WA</sub>	(akustisk effekt)	94
L <sub>WA</sub>	(garantert)	96



Bruk hørselsbeskyttelse dersom lydnivået overskrider 85 dB(A).

Den veide geometriske middelverdien av vibrasjonsfrekvensen i følge 98/37/EØF:

GL20
< 2,5 m/s <sup>2</sup>

Brian Cooke  
Director of Engineering  
Spennymoor, County Durham DL16 6JG,  
United Kingdom  
1-12-2001

## BRUKSOMRÅDER

Din Black & Decker gresstrimmer er beregnet på trimming av plenkanter og klipping av gress på vanskelig tilgjengelige steder. Verktøyet er tiltenkt kun for bruk i hjemmet.

## SIKKERHETSINSTRUKSJONER

### Symboler

Følgende symboler brukes i denne bruksanvisningen:



Betegner risiko for personskade, livsfare eller skade på verktøyet dersom instruksene i denne bruksanvisningen ikke følges.



Betegner risiko for elektrisk støt.



Les bruksanvisningen før du bruker verktøyet.

### Lær verktøyet å kjenne



- ◆ Advarsel! Ved bruk av elektroverktøy, må du alltid følge en del grunnleggende sikkerhetsregler, inkludert følgende, for å redusere faren for brann, elektrisk støt og personskade.
- ◆ Ta deg tid til å lese nøye gjennom bruksanvisningen før du begynner å bruke verktøyet.
- ◆ Vær sikker på at du vet hvordan man slår av verktøyet før du begynner å bruke det.
- ◆ Bruk ikke verktøyet til formål det ikke er ment for. Bruk bare tilbehør og utstyr som anbefales i bruksanvisningen og i katalogene. Bruk av annet verktøy eller tilbehør kan medføre en mulig risiko for personskade.
- ◆ Oppbevar bruksanvisningen på et lett tilgjengelig sted.

## Arbeidsområde

- ◆ Utsett ikke verktøyet for regn. Bruk ikke verktøyet under våte eller fuktige forhold.
- ◆ Bruk bare verktøyet i dagslys eller med god kunstig belysning.

## Personlig vern

- ◆ Bruk solide sko eller støvler, slik at du beskytter føttene. Bruk ikke verktøyet mens du bruker sandaler eller går barfoot.
- ◆ Beskytt bena ved å bruke langbukser.

## Bruke verktøyet

- ◆ Pass på at verktøyet er slått av når du setter i støpslet.
- ◆ Vær oppmerksom. Se på det du gjør. Bruk sunn fornuft.
- ◆ Bruk ikke maskinen når du er trett.
- ◆ Hvis verktøyet begynner å vibrere på en unormal måte, slår du det av og trekker ut kontakten. Stopp roterende deler og kontroller at verktøyet ikke er skadet eller at deler ikke har løsnet.
- ◆ Ikke trekk i ledningen når du skal kople fra støpselet. Utsett ikke ledningen for varme, olje, eller skarpe kanter.
- ◆ Hvis ledningen er blitt skadet under bruk, slår du av verktøyet og trekker ut kontakten fra strømforsyningen umiddelbart.

**Du må ikke berøre ledningen før du har koblet den fra strømforsyningen.**

## Sikkerhet for andre

- ◆ Verktøyet må ikke brukes av barn eller av andre som ikke har lest bruksanvisningen.
- ◆ Ikke la barn, besøkende eller dyr komme i nærheten av arbeidsområdet eller berøre verktøyet eller ledningen.
- ◆ Husk at brukeren kan holdes ansvarlig for ulykker eller skader som rammer andre mennesker eller deres eiendeler.

## Etter bruk

- ◆ Slå av verktøyet, trekk ut kontakten og kontroller at bevegelige deler ikke roterer før du forlater verktøyet, skifter ut, rengjør eller inspiserer noen av delene på verktøyet.

- ◆ Når verktøyet ikke er i bruk, må det oppbevares på et tørt sted. Oppbevares utilgjengelig for barn.

## Kontroll og reparasjon

- ◆ Før bruk må du kontrollere at verktøyet ikke er skadet eller er feilmontert. Se etter feiljusteringer, om deler har satt seg fast eller har gått i stykker, skadede deksler og brytere eller andre forhold som kan påvirke bruken av verktøyet.
- ◆ Bruk aldri verktøyet hvis noen av delene er skadet. Ikke bruk verktøyet hvis det ikke er mulig å slå det på og av med strømbryteren.
- ◆ Bruk aldri verktøyet hvis ikke alle beskyttelser og kåper er på plass.
- ◆ Kontroller at verktøyet fungerer som det skal og utfører beregnet funksjon.
- ◆ Hvis noen av delene er skadet så få de reparert eller byttet ut av et autorisert Black & Decker serviceverksted.
- ◆ Før bruk må du kontrollere at ledningen ikke er skadet eller slitt.
- ◆ Bruk aldri verktøyet hvis ledningen er skadet.
- ◆ Hvis ledningen er skadet, må den byttes ut av et autorisert Black & Decker serviceverksted.
- ◆ Prøv aldri å fjerne eller skifte ut andre deler enn de som er angitt i denne håndboken.

## Ekstra sikkerhetsinstruksjoner for gresstrimmere

Du finner følgende varselssymboler på verktøyet:



Ha på deg vernebriller når du bruker dette verktøyet.



Trimmertråden fortsetter å rotere i et par sekunder etter at verktøyet er slått av. Prøv aldri å tvinge tråden til å stoppe.



Ikke tillat at barn og dyr oppholder seg nærmere arbeidsområdet enn 6 meter.



Utsett ikke verktøyet for regn eller høy fuktighet.



Slå av verktøyet, trekk ut kontakten og kontroller at bevegelige deler ikke roterer før du forlater verktøyet, skifter ut, rengjør eller kontrollerer noen av delene på verktøyet.

- ◆ Før du bruker verktøyet, må du sjekke at arbeidsområdet er fritt for kvister, steiner, ledninger og andre hindringer.
- ◆ Bruk bare verktøyet i riktig stilling, med trimmertråden mot bakken, som vist i illustrasjonene. Verktøyet må aldri slås på i andre stillinger.
- ◆ Når du slår på verktøyet, må du holde hender og føtter langt vekk fra trimmertråden.
- ◆ Unngå at trimmertråden kommer i kontakt med kroppsdeler mens verktøyet er i gang.
- ◆ Ikke arbeid i bratte skråninger. Bruk egnede sko. Husk at nyklipt gress er fuktig og glatt.
- ◆ Vær forsiktig når du trimmer gress i nærheten av kanter, grusganger eller veier, fordi trimmertråden kan slenge opp jord og stein.
- ◆ Legg ikke verktøyet fra deg før trimmertråden har stoppet fullstendig.
- ◆ Pass på at du bruker riktig type trimmertråd fra Black & Decker. Du må aldri bruke trimmertråder av metall eller fiskesnøre.
- ◆ Når du har dratt frem en ny trimmertråd, må verktøyet alltid settes tilbake i vanlig utgangsstilling før du slår det på.
- ◆ Pass på at ledningen holdes i god avstand fra trimmertråden. Pass på at du alltid vet hvor ledningen er.

## ELEKTRISK SIKKERHET

Verktøyet er kun konstruert for én spenning. Kontroller at nettspenningen er i overensstemmelse med spenningen på typeskiltet.



Dette verktøyet er kun beregnet for bruk med vekselstrøm. Du må ikke bruke annen strømforsyning.



Verktøyet er dobbeltisolert i samsvar med EN 60335. Jordet ledning er derfor ikke nødvendig.

- ◆ Unngå å komme i kontakt med jodede overflater (f.eks. metallrekkverk, lyktestolper osv.).
- ◆ Strømsikkerheten kan forbedres ytterligere ved bruk av jordfeilbryter med høy følsomhet (30 mA/30 mS).

## Bruk med skjøteledning

Bruk en godkjent skjøteledning som er egnet for dette verktøyets kraftbehov (se typeskiltet). Skjøteledningen må være egnet for utendørs bruk.

- ◆ Før bruk må du kontrollere at ledningen ikke er skadet eller slitt. Skift ut skjøteledningen hvis den er skadet.
- ◆ Hvis du bruker en kabeltrommel, vikl alltid ut all ledningen.
- ◆ Pass på at ledningen holdes i god avstand fra trimmertråden. Pass på at du alltid vet hvor ledningen er.

## INNHold I KARTONGEN

Kartongen inneholder:

- 1 Gresstrimmer
- 1 Beskyttelse med festeskruer
- 1 Pakke med trimmertråder
- 1 Bruksanvisning

- ◆ Pakk forsiktig ut alle delene.

## OVERSIKT (fig. A)

1. Strømbryter
2. Håndtak
3. Strøminntak
4. Beskyttelse
5. Trådholder
6. Trimmertråd

## MONTASJE



Før monteringen, må du passe på at verktøyet er slått av og at kontakten er trukket ut.

**Montere beskyttelsen (fig. B)**

- ◆ Trekk ut støpslet.
- ◆ Fjern skruen (7) fra beskyttelsen (4).
- ◆ Plasser beskyttelsen (4) på maskinen som vist.
- ◆ Trykk beskyttelsen ned til den klikker på plass.
- ◆ Fest beskyttelsen med skruen (7).



Ikke bruk verktøyet med mindre beskyttelsen er satt riktig på.

**Montering av ny trimmertråd (fig. C og D)**

Du får pakker med forhåndskuttede trimmertråder fra din Black & Decker-forhandler (kat. nr. A5995). Du kan også kjøpe en pakke som inneholder 25 eller 40 m trimmertråd (A6170/A6171) og kutte tråden i deler på 177 mm. Verktøyet er utstyrt med et oppbevaringsrom (9) for trimmertråd (fig. C).

- ◆ Trekk ut støpslet.
  - ◆ Fjern eventuell gjenværende trimmertråd fra trådholderen.
  - ◆ Fjern all smuss og gress fra trådholderen.
1. Før enden av en ny trimmertråd inn i hullet (10).
  2. Før tråden under holderklemmen (11), og trekk tråden ut til den klikker på plass.
  3. Før tråden inn i de to sporene (12) som vist, og trø den gjennom utmatingshullet (13).
- ◆ Kontroller at tråden er skikkelig satt på plass.



Bruk bare trimmertråd med en diameter på 1,5 mm fra Black & Decker.

**Koble verktøyet til strøm (fig. A og C)**

- ◆ Koble hunnpluggen på en egnet skjøteledning til strømminntaket (3).
- ◆ Før ledningen gjennom ledningholderen (8) som vist for å unngå at skjøteledningen løsner under bruk.
- ◆ Sett støpslet inn i et strømuttak.



Skjøteledningen må være egnet for utendørs bruk.

**ANVENDELSE**

La verktøyet jobbe i sin egen hastighet. Ikke overbelast.

**Start og stopp (fig. A)**

- ◆ Trykk på strømbryteren (1) for å slå verktøyet på.
- ◆ Slipp strømbryteren for å slå verktøyet av.



Prøv aldri å låse en strømbryter i startstilling.

**Råd for optimalt resultat**

- ◆ Hold verktøyet som vist i fig. E.
- ◆ Sving trimmeren forsiktig fra side til side som vist i fig. E.
- ◆ Arbeid i flere omganger fra toppen av gresset hvis dette er langt.
- ◆ Hold verktøyet i god avstand fra harde gjenstander og ømtålige planter.
- ◆ Hvis verktøyet begynner å gå sakte, reduserer du belastningen.
- ◆ Du oppnår optimale klipperesultater hvis du bare klipper tørt gress.
- ◆ Skift ut trimmertråden når den er slitt.

**VEDLIKEHOLD**

Ditt Black & Decker verktøy har blitt utformet for å være i drift over en lang periode med et minimum av vedlikeholdelse. Ved riktig vedlikehold og regelmessig rengjøring beholder verktøyet sin prestasjon.



Før du setter igang hvilke som helst vedlikeholdelse må verktøyet slås av og kontakten trekkes ut.

- ◆ Rengjør ventilasjonsåpningene på verktøyet regelmessig med en myk børste eller en tørr klut.
- ◆ Rengjør trimmertråden og trådholderen regelmessig ved hjelp av en myk børste eller tørr klut.
- ◆ Bruk en butt skrape til å fjerne gress og smuss med jevne mellomrom fra undersiden av beskyttelsen.
- ◆ Kontroller trimmertråden regelmessig for slitasje.



Bruk ikke etsende eller løsemiddelbaserte rengjøringsmidler.

**PROBLEMLØSING**

Hvis verktøyet ikke ser ut til å fungere som det skal, følger du instruksjonene nedenfor.

Løser ikke dette problemet, kontakter du et autorisert Black & Decker serviceverksted.



Før du går videre, trekker du ut støpslet.

### Verktøyet starter ikke

- ◆ Kontroller at strømledningen er riktig tilkoblet.
- ◆ Kontroller strømsikringene.

### Verktøyet vibrerer kraftig

- ◆ Rengjør trådholderen forsiktig.
- ◆ Kontroller at trådholderen er godt festet og at den ikke er skadet. Få den reparert eller skift den ut hvis dette er nødvendig.
- ◆ Kontroller at trimmertråden er på plass og riktig festet.
- ◆ Kontroller om trimmertråden er skadet. Skift den ut om nødvendig.

### MILJØ



Når verktøyet ditt er utslitt, beskytt naturen ved ikke å kaste det sammen med vanlig avfall. Lever det til en oppsamlingsplass som finnes i din kommune eller der hvor du kjøpte verktøyet.

### GARANTI

Black & Decker garanterer at produktet ikke har material- og/eller fabrikkasjonsfeil ved levering til kunde. Garantien er i tillegg til kundens lovlige rettigheter og påvirker ikke disse. Garantien gjelder innen medlemsstatene i den Europeiske Unionen og i det Europeiske Frihandelsområdet.

Hvis et Black & Decker produkt går i stykker på grunn av material- og/eller fabrikkasjonsfeil eller har mangler i forhold til spesifikasjonene, innen 24 måneder fra kjøpet, påtar Black & Decker seg å reparere eller bytte ut produktet med minst mulig vanskelighet for kunden.

Garantien gjelder ikke for feil som kommer av:

- ◆ normal slittasje
- ◆ feilaktig bruk eller vedlikehold (mislighold)

- ◆ at produktet har blitt skadet av fremmede gjenstander, emner eller ved et uhell
- Det gjøres oppmerksom på at produktet ikke er beregnet på industriell/profesjonell/yrkesmessig bruk, men til hus- og hjemmebruk.

Garantien gjelder ikke om reparasjoner har blitt utført av noen andre enn et autorisert Black & Decker serviceverksted.

For å ta garantien i bruk skal produktet og kjøpekvitteing leveres til forhandleren eller til et autorisert serviceverksted senest 2 måneder etter at feilen har blitt oppdaget. For informasjon om nærmeste autoriserte serviceverksted; kontakt det lokale Black & Decker kontoret på den adressen som er angitt i bruksanvisningen. En oversikt over alle autoriserte serviceverksteder samt servicevilkår finnes også tilgjengelig på Internet, adresse: [www.2helpU.com](http://www.2helpU.com).

### RESERVDeler / REPARASJONER

Reservdeler kan kjøpes hos autoriserte Black & Decker serviceverksteder, som også gir kostnadsoverslag og reparerer våre produkter.

Oversikt over våre autoriserte serviceverksteder finnes på Internet, vår hjemmeside [www.blackdecker.no](http://www.blackdecker.no) samt [www.2helpU.com](http://www.2helpU.com).

### ANDRE HAGEVERKTØY

Black & Decker har et bredt sortiment av verktøy for utendørsbruk som gjør arbeidet i hagen enklere. Kontakt nærmeste Black & Decker forhandler for ytterligere informasjon eller besøk vår hjemmeside: [www.blackdecker.no](http://www.blackdecker.no).

Mosefjerner	Gressklippere
Hekksakser	Kjedesager
Gresstrimmere	Løvfjerner
Kompostkverner	

Ikke alle produkter er tilgjengelige i alle land.

# GRÆSTRIMMER GL20

Tak fordi du valgte Black & Decker. Vi håber at du får glæde af dette værktøj i mange år fremover.

## EU-OVERENSSTEMMELSESERKLÆRING



GL20

Black & Decker erklærer at disse værktøjer er konstrueret i henhold til: 98/37/EØF, 89/336/EØF, 73/23/EØF, EN 60335, EN 55014, EN 61000, 2000/14/EØF, græstrimmer,  $L \leq 50$  cm

Annex VIII, No. 00086

B.S.I., HP2 4SQ, United Kingdom

Lydniveauet målt i henhold til 84/538/EØF:

		GL20
$L_{pA}$	(lydniveau)	81
$L_{WA}$	(akustisk styrke)	94
$L_{WA}$	(garanteret)	96



Anvend høreværn, hvis lydniveauet overstiger 85 dB(A).

Den vægtede geometriske middelværdi af accelerationsfrekvensen i henhold til 98/37/EØF:

GL20
$< 2,5 \text{ m/s}^2$

Brian Cooke

Director of Engineering

Spennymoor, County Durham DL16 6JG,  
United Kingdom

1-12-2001

## ANVENDELSESOMRÅDE

Denne Black & Decker græstrimmer er designet til trimning af græskanterne og til slåning af græs på begrænsede arealer.

Værktøjet er kun beregnet til privat brug.

## SIKKERHEDSINSTRUKTIONER

### Piktogrammer

Følgende piktogrammer anvendes i denne brugsanvisning:



Angiver risiko for personskade, livsfare eller ødelæggelse af værktøjet, hvis brugsanvisningens instruktioner ikke følges.



Angiver risiko for elektrisk stød.



Læs brugsanvisningen igennem, inden værktøjet tages i brug.

### Lær værktøjet at kende



- ◆ **Advarsel!** Ved brugen af elværktøj skal de grundlæggende sikkerhedsforanstaltninger, inkl. følgende, altid følges, således at risikoen for brand, elektrisk stød og personskader begrænses.
- ◆ Læs denne brugsanvisning igennem, inden værktøjet tages i brug.
- ◆ Du skal sikre dig, at du ved, hvordan værktøjet slukkes, inden det tages i brug.
- ◆ Brugen af værktøjet er beskrevet i denne brugsanvisning. Anvendelsen af andet tilbehør eller udførelse af opgaver med andet værktøj end det her anbefalede kan medføre risiko for personskader.
- ◆ Opbevar brugsanvisningen let tilgængeligt.

## Arbejdsområde

- ◆ Udsæt ikke værktøjet for regn. Anvend ikke værktøjet på fugtige eller våde pladser.
- ◆ Brug kun værktøjet i dagslys eller med god kunstig belysning.

## Personlig beskyttelse

- ◆ Bær kraftige sko til beskyttelse af fødderne. Man må ikke arbejde med værktøjet, mens man har åbne sandaler på eller er barfodet.
- ◆ Bær lange bukser til beskyttelse af benene.

## Arbejde med værktøjet

- ◆ Sørg for, at værktøjet er slukket, når ledningen tilsluttes strømmen.
- ◆ Vær opmærksom. Se på det, du gør. Brug din sunde fornuft.
- ◆ Brug ikke værktøjet, når du er træet.
- ◆ Hvis værktøjet begynder at vibrere unormalt, skal det afbrydes, og proppen skal trækkes ud af stikket. Lad de roterende dele standse helt, og undersøg værktøjet for skader og løse dele.
- ◆ Træk aldrig i ledningen for at tage stikket ud af kontakten. Ledningen skal holdes på afstand fra varme, olie og skarpe kanter.
- ◆ Hvis elledningen er blevet beskadiget under brug, skal værktøjet slukkes, og proppen trækkes ud af kontakten øjeblikkeligt.

**Rør ikke ved elledningen, før den er trukket ud af kontakten.**

## Sikkerhed for andre

- ◆ Tillad ikke børn eller personer, der ikke har læst denne brugsanvisning, at arbejde med værktøjet.
- ◆ Børn, besøgende eller dyr må ikke nærme sig arbejdsområdet eller røre ved værktøjet eller netkablet.
- ◆ Husk, at brugeren kan gøres ansvarlig for ulykker eller skader, der påføres andre mennesker eller deres ejendom.

## Efter brug

- ◆ Sluk værktøjet, træk proppen ud af stikket, og sørg for, at de bevægelige dele er holdt op med at rotere, før værktøjet efterlades ubevogtet, samt før en eller flere dele ændres, renses eller undersøges.

- ◆ Når værktøjet ikke er i brug, skal det opbevares et tørt sted. Børn må ikke have adgang til værktøjet, når det opbevares.

## Undersøgelse og reparation

- ◆ Før brug skal værktøjet kontrolleres for skader eller defekte dele. Check de bevægelige dele for skæv indstilling og sammenbrændinger, kontrollér for brud på dele, skader på skærme og kontakter samt alt andet, der kan påvirke værktøjets funktion.
- ◆ Værktøjet må ikke benyttes, hvis en af delene er beskadiget eller defekt. Brug ikke værktøjet, hvis det ikke kan tændes og slukkes ved afbryderen.
- ◆ Brug aldrig værktøjet, hvis en af sikkerhedsskærmene eller afskærmningerne er beskadiget eller fjernet.
- ◆ Kontrollér, at værktøjet fungerer rigtigt og kan udføre det arbejde, det er beregnet til.
- ◆ Skadede eller defekte dele skal repareres eller udskiftes af en autoriseret tekniker.
- ◆ Før brug kontrolleres ledningen for tegn på skader, ældning og slid.
- ◆ Brug ikke værktøjet, hvis ledningen er beskadiget eller defekt.
- ◆ Hvis ledningen er skadet, skal den udskiftes af en autoriseret reparatør for at undgå ulykker.
- ◆ Forsøg aldrig at fjerne eller udskifte andre dele end dem, der er specificeret i denne brugsanvisning.

## Ekstra sikkerhedsvejledning til græstrimmeren

Følgende advarselssymboler findes på værktøjet:



Man skal bære sikkerhedsbriller, når man arbejder med dette værktøj.



Trimmertråden fortsætter med at løbe rundt i et par sekunder, efter at der er slukket for værktøjet. Man må aldrig tvinge tråden til standsning.



Hold mennesker og dyr mindst 6 meter fra slåområdet.



Udsæt ikke værktøjet for regn eller høj fugtighed.



Sluk værktøjet, træk proppen ud af stikket, og sørg for, at de bevægelige dele er holdt op med at rotere, før værktøjet efterlades ubevogtet, samt før en eller flere dele ændres, renses eller undersøges.

- ◆ Før du benytter værktøjet, skal du kontrollere, at slåområdet er fri for pinde, sten, tråd eller andre hindringer.
- ◆ Brug kun værktøjet, mens du står oprejst med trimmertråden nede ved jorden som vist på illustrationerne. Tænd aldrig for værktøjet, hvis du befinder dig i nogen anden stilling.
- ◆ Tænd kun for værktøjet, når hænder og fødder er i sikker afstand fra trimmertråden.
- ◆ Undgå kropskontakt med trimmertråden, mens værktøjet er i gang.
- ◆ Arbejd ikke på meget stejle skråninger. Man skal være bevidst om, hvor man sætter fødderne. Vær opmærksom på, at frisk afskåret græs er fugtigt og fedtet.
- ◆ Pas på ved trimning i nærheden af kanter og grusstier eller veje, idet sten og jord kan sættes i bevægelse af trimmertråden.
- ◆ Stil ikke værktøjet fra dig, før trimmertråden er fuldstændigt stoppet.
- ◆ Brug kun den rigtige type trimmertråd fra Black & Decker. Brug aldrig trimmertråd af metal eller fiskesnøre.
- ◆ Efter at have trukket ny trimmertråd frem skal man altid sætte værktøjet tilbage til normal arbejdsposition, før man tænder for det igen.
- ◆ Vær omhyggelig med at holde strømkablet væk fra trimmertråden. Vær altid opmærksom på, hvor kablet er.

### ELEKTRISK SIKKERHED

Værktøjet er kun beregnet til én spænding. Kontroller, at strømforsyningen svarer til spændingen på typeskiltet.



Dette værktøj er kun designet til brug med vekselstrømforsyning (AC). Forsøg ikke at bruge nogen anden form for elforsyning.



Laderen er dobbelt isoleret i henhold til EN 60335; jordledning er derfor ikke påkrævet.

- ◆ Undgå kropskontakt med jordede overflader (f.eks. metalgænder, lygtepæle osv.).
- ◆ Den elektriske sikkerhed kan forbedres yderligere ved brug af en højfølsom (30 mA/30 mS) fejlstrømsafbryder (RCD).

### Anvendelse af forlængerledning

Brug altid en godkendt forlængerledning, der passer til strømstikket på dette værktøj (se typeskiltet). Forlængerledningen skal være velegnet til udendørs brug.

- ◆ Før brug kontrolleres elledningen for tegn på skader, slid og ældning. Udskift forlængerledningen, hvis den bliver beskadiget eller defekt.
- ◆ Ved anvendelse af en kabeltromle, skal kablet altid vindes helt ud.
- ◆ Vær omhyggelig med at holde kablet væk fra trimmertråden. Vær altid opmærksom på, hvor kablet er.

### KASSENS INDHOLD

Kassen indeholder følgende:

- 1 Græstrimmer
- 1 Beskyttelseskærm med monteringsskrue
- 1 Pakke med stykker af trimmertråd
- 1 Brugsvejledning

- ◆ Pak forsigtigt alle dele ud.

### OVERSICHT (fig. A)

1. Afbryder
2. Håndtag
3. Stik til elledning
4. Beskyttelseskærm
5. Trådholder
6. Trimmertråd

### MONTERING



Før montering skal man sikre sig, at værktøjet er slukket og taget ud af stikkontakten.



## Påsætning af beskyttelseskærmen (fig. B)

- Afbryd værktøjet.
- Fjern skruen (7) fra beskyttelseskærmen (4).
- Placér beskyttelseskærmen (4) på værktøjet som vist.
- Tryk fast på beskyttelseskærmen, indtil den klikker på plads.
- Fastgør beskyttelseskærmen med skruen (7).



Brug aldrig værktøjet, hvis beskyttelseskærmen ikke sidder ordentligt fast.

## Isætning af et nyt stykke trimmertråd (fig. C & D)

Nye pakker, der indeholder stykker færdigafsåret trimmertråd, kan fås hos din Black & Decker-forhandler (cat. no. A5995). Alternativt kan du købe en pakke, der indeholder 25 eller 40 m trimmertråd (A6170/A6171), og skære den i enkelte stykker på 177 mm. Værktøjet er udstyret med et opbevaringskammer (9) til trimmertrådstykkerne (fig. C).

- Afbryd værktøjet.
  - Fjern resterende trimmertråd fra trådholderen.
  - Fjern al snavs og græs fra trådholderen.
1. Indsæt den ene ende af et nyt stykke trimmertråd i hullet (10).
  2. Før tråden under holdeclipsen (11), og træk i tråden, til den klikker på plads.
  3. Før tråden ind i de to riller (12) som vist, og put den gennem udgangshullet (13).
- Sørg for, at tråden er ordentligt fastgjort.



Brug kun Black & Decker trimmertråd med 1,5 mm i diameter.

## Tilslutning af værktøjet til elnettet (fig. A & C)

- Sæt hunstikket på en passende forlængerledning i elstikket (3).
- Sno kablet gennem kabelfastspændingen (8) som vist for at forhindre forlængerledningen i at løsne sig under brug.
- Indsæt stikket i stikkontakten.



Forlængerledningen skal være velegnet til udendørs brug.

## BRUG



Lad værktøjet arbejde i dets eget tempo. Man må ikke overbelaste det.

## Start og stop (fig. A)

- Tryk på afbryderen (1) for at tænde værktøjet.
- Tryk på afbryderen (1) igen for at slukke værktøjet.



Forsøg aldrig at låse en knap fast på positionen "on".

## Gode råd til optimalt brug

- Hold værktøjet som vist på fig. E.
- Sving trimmeren blødt fra side til side som vist på fig. E.
- Hvis du arbejder i højt græs, skal du slå det i flere omgange fra toppen.
- Hold værktøjet væk fra hårde objekter og sarte planter.
- Hvis værktøjet begynder at køre langsomt, skal du reducere belastningen.
- Hvis du vil opnå optimale klipperesultater, skal du kun klippe, når græsset er tørt.
- Udskift trimmertråden, hvis den er slidt.

## VEDLIGEHOLDELSE

Deres Black & Decker værktøj er blevet designet til at være i drift gennem en længere periode med en minimal vedligeholdelse. Forsat tilfredsstillende drift afhænger af en korrekt behandling af værktøjet samt regelmæssig rengøring.



Før udførelse af vedligeholdelsesarbejde, skal værktøjet slukkes og tages ud af stikkontakten.

- Man skal regelmæssigt rengøre værktøjets ventilationshuller med en blød børste eller en tør klud.
- Rens regelmæssigt trimmertråden og trådholderen med en blød børste eller en tør klud.
- Brug jævnlige stump skraber til at fjerne græs og snavs fra undersiden af beskyttelseskærmen.
- Kontrollér jævnligt trimmertråden for slid.



Man må ikke benytte slibemidler eller opløsningsmidler.

### FEJLFINDING

Hvis værktøjet ikke virker korrekt, skal du gøre følgende. Hvis dette ikke løser problemet, kontakt et Black & Decker servicecenter.



Afbryd værktøjet, før du fortsætter.

### Værktøjet starter ikke

- ◆ Kontrollér, at strømledningerne er ordentligt tilsluttet.
- ◆ Kontrollér sikringerne.

### Værktøjet vibrerer meget

- ◆ Rens omhyggeligt trådholderen.
- ◆ Kontrollér, at trådholderen er fastgjort, og at den ikke er skadet. Reparér eller udskift den.
- ◆ Kontrollér, at trimmertråden er der, og at den er ordentligt fastgjort.
- ◆ Kontrollér trimmertråden for skader. Udskift den efter behov.

### MILJØ



Når dit værktøj er udtjent, beskyt da naturen ved ikke at smide det ud sammen med det almindelige affald. Aflever det til de opsamlingssteder, der findes i din kommune eller der hvor du købte værktøjet.

### GARANTI

Black & Decker garanterer, at produktet er fri for materielle skader og/eller fabrikations- fejl ved levering til kunden. Garantien er et tillæg til konsumentens lovlige rettigheder og påvirker ikke disse. Garantien gælder indenfor medlemsstaterne af den Europæiske Union og i det Europæiske Frihandelsområde.

Hvis et Black & Decker produkt går i stykker på grund af materiel skade og/eller fabrikationsfejl eller på anden måde ikke fungerer i overensstemmelse med specifikationen, inden for 24 måneder fra købsdatoen, påtager Black & Decker sig at reparere eller ombytte produktet med mindst muligt besvær for kunden.

Garantien gælder ikke for fejl og mangler, der er sket i forbindelse med:

- ◆ normal slitage
- ◆ uheldige følger efter unormal anvendelse af værktøjet
- ◆ overbelastning, hærværk eller overdrevent intensivt brug af værktøjet
- ◆ ulykkehændelse

Garantien gælder ikke hvis reparationer er udført af nogen anden end et autoriseret Black & Decker værksted.

For at udnytte garantien skal produktet og købskvitteringen indleveres til forhandleren eller til et autoriseret værksted, senest 2 måneder efter at fejlen opdages. For information om nærmeste autoriserede værksted: kontakt det lokale Black & Decker kontor på den adresse som er opgivet i brugsanvisningen. Liste over alle autoriserede Black & Decker serviceværksteder samt servicevilkår er tilgængelig på internettet, på adressen **www.2helpU.com**.

### RESERVEDELE / REPARATIONER

Reserve dele kan købes hos autoriserede Black & Decker serviceværksteder, som giver forslag til omkostninger og reparerer vore produkter. Oversigt over vore autoriserede værksteder findes på internettet på vor hjemmeside **www.blackdecker.dk** samt **www.2helpU.com**.

### ANDET HAVEVÆRKTØJ

Black & Decker har et stort sortiment af haveværktøj, som gør havearbejdet let. Hvis De ønsker yderligere information omkring vore produkter, bedes De sætte dem i kontakt med vore Service- og informationscentre, eller sæt Dem i forbindelse med Deres lokale Black & Decker forhandler.

Græstrimmere	Kædesave
Hækkeklippere	Beskærersakse
Plæneklippere	Løvsugere
Kompostkværne	

Ikke alle produkter findes på markedet i alle lande.

# NURMIKONVIIMEISTELIJÄ GL20

Kiitos, että olet valinnut Black & Decker -koneen. Toivomme, että nautit koneen käytöstä monen vuoden ajan.

## CE-VAATIMUSTENMUKAISUUSVAKUUTUS



GL20  
Black & Decker vakuuttaa, että nämä työkalut ovat 98/37/EC, 89/336/EEC, 73/23/EEC, EN 60335, EN 55014, EN 61000, 2000/14/EC, nurmikonviimeistelijä, L ≤ 50 cm, mukaiset.

Annex VIII, No. 00086  
B.S.I., HP2 4SQ, Iso-Britannia

Melutaso, mitattu 84/538/EEC:n mukaisesti:

		GL20
$L_{pA}$ (äänenpaine)	dB(A)	81
$L_{WA}$ (ääniteho)	dB(A)	94
$L_{WA}$ (taattu)	dB(A)	96



Käytä kuulosuojaimia, jos melutaso ylittää 85 dB(A).

Tärinätaajuuden painotettu geometrinen keskiarvo 98/37/EC mukaisesti:

GL20
< 2,5 m/s <sup>2</sup>

Brian Cooke  
Director of Engineering  
Spennymoor, County Durham DL16 6JG,  
United Kingdom  
1-12-2001

## KÄYTTÖTARKOITUS

Black & Decker -nurmikonviimeistelijä on suunniteltu nurmikon reunojen viimeistelyyn ja nurmikon leikkaukseen ahtaissa paikoissa. Kone on tarkoitettu kotikäyttöön.

## TURVALLISUUSOHJEET

### Merkit

Tässä käyttöohjeessa käytetään seuraavia merkkejä:



Osoittaa henkilövahingon, hengenmenetyksen tai konevaurion vaaraa, mikäli käyttöohjeen neuvoja ei noudateta.



Osoittaa sähköiskun vaaraa.



Lue käyttöohje huolellisesti ennen koneen käyttöönottoa.

### Tutustu koneeseen



- Varoitus! Sähkökäyttöisiä koneita käytettäessä on aina noudatettava mm. seuraavia turvallisuusohjeita, jotta tulipalojen, sähköiskujen ja henkilövahinkojen riski olisi mahdollisimman pieni.
- Lue käyttöohje huolellisesti ennen koneen käyttöönottoa.
- Varmista, että osaat sammuttaa koneen, ennen kuin käynnistät sen.
- Käytä konetta ainoastaan sellaiseen työhön, johon se on tarkoitettu, ja käytä vain käyttöohjeessa suositeltuja tarvikkeita ja lisälaitteita. Ohjeesta poikkeava käyttö voi aiheuttaa onnettomuuden.
- Säilytä käyttöohje kaikkien koneen käyttäjien ulottuvilla.

### Työskentelyalue

- Älä altista konetta sateelle äläkä käytä sitä kosteissa tai märissä paikoissa.
- Käytä konetta vain päivänvalossa tai hyvässä valaistuksessa.

### Suojavaatetus

- Suojele jalkojasi käyttämällä tukevia kenkiä tai saappaita. Älä käytä konetta avojaloin tai avokärkiset sandaalit jalassa.
- Käytä pitkiä housuja suojataksesi jalkoja.

### Koneen käyttäminen

- Varmista, että kone on pois päältä, ennen kuin kytket sen virtalähteeseen.
- Ole tarkkaavainen. Keskity työhösi. Käytä tervettä järkeä.
- Älä käytä sähkötyökälyä, kun olet väsynyt.
- Jos kone alkaa täristä epätavallisesti, kytkä se pois päältä ja irrota pistoke virtalähteestä. Odota, kunnes pyörivät osat ovat pysähtyneet ja tarkista, onko kone vaurioitunut tai osat löystyneet.
- Älä koskaan irrota pistoketta virtalähteestä vetämällä johdosta. Suojaa johto kuumuudelta, öljyltä ja teräviltä reunoilta.
- Jos sähköjohto vaurioituu käytön aikana, sammuta kone ja irrota pistoke virtalähteestä välittömästi. **Älä koske sähköjohtoon ennen sen irrottamista virtalähteestä.**

### Muiden turvallisuus

- Älä anna lasten tai kenenkään, joka ei ole lukenut tätä käyttöohjetta tai tutustunut koneeseen, käyttää konetta.
- Älä anna lasten, vieraiden tai eläinten tulla lähelle työskentelyaluetta tai koskea koneeseen tai sähköjohtoon.
- Muista, että käyttäjä on vastuussa muille ihmisille tai heidän omaisuudelleen aiheutuvista onnettomuuksista.

### Käytön jälkeen

- Sammuta kone, irrota pistoke virtalähteestä ja varmista, että liikkuvien osien pyörintä on loppunut, ennen kuin jätät koneen ilman valvontaa sekä ennen koneen osien vaihtoa, puhdistusta tai tarkastusta.

- Kun konetta ei käytetä, säilytä sitä kuivassa paikassa. Varmista, että lapset eivät pääse käsiksi koneisiin.

### Tarkastus ja korjaukset

- Tarkista ennen käyttöä, ettei koneessa ole vaurioita tai viallisia osia. Tarkista, etteivät liikkuvat ja muut osat sekä suoja ole viallisia, ja että kaikki muut käyttöön mahdollisesti vaikuttavat tekijät ovat kunnossa.
- Älä käytä konetta, jos jokin sen osista on viallinen. Älä käytä konetta, jos se ei käynnisty ja pysähdy virrankatkaisijasta.
- Älä koskaan käytä konetta, jos jokin suoja tai kotelo on vaurioitunut tai ei ole paikallaan.
- Varmista, että kone toimii oikein ja täyttää tehtävänsä.
- Viallinen osa tulee korjata tai vaihtaa valtuutetussa Black & Deckerin huoltoliikkeessä.
- Tarkista ennen käyttöä, ettei sähköjohto ole viallinen tai vaurioitunut.
- Älä koskaan käytä konetta, jos sähköjohto on vaurioitunut tai viallinen.
- Jos sähköjohto on vaurioitunut, saadaan se vaihtaa vain valtuutetussa Black & Deckerin huoltoliikkeessä.
- Älä koskaan yritä irrottaa tai vaihtaa sellaisia osia, joita ei ole määritetty tässä käyttöohjeessa.

### Lisäturvallisuusohjeet nurmikoniimestelijälle

Koneessa on seuraavat varoitusmerkit:



Käytä suojalaseja konetta käyttäessäsi.



Leikkukulanka jatkaa pyörimistään lyhyen aikaa koneen sammutuksen jälkeen. Älä koskaan yritä pysäyttää lankaa, vaan anna sen pysähtyä itsestään.



Työskentele vähintään 6 m:n etäisyydellä ihmisistä ja eläimistä.



Älä altista konetta sateelle tai kosteudelle.



Sammuta kone, irrota pistoke virtalähteestä ja varmista, että liikkuvien osien pyörintä on loppunut, ennen kuin jätät koneen ilman valvontaa sekä ennen koneen osien vaihtoa, puhdistusta tai tarkastusta.

- ◆ Tarkista ennen koneen käyttöä, ettei työskentelyalueella ole oksia, kiviä, metallilankaa tai muita esteitä.
- ◆ Käytä konetta vain oikeassa asennossa leikkuulanka lähellä maata kuvan mukaisesti. Älä koskaan käynnistä konetta missään muussa asennossa.
- ◆ Käynnistettäessä konetta varmista, että kädet ja jalat ovat pois leikkuulangan tieltä.
- ◆ Vältä kosketusta leikkuulankaan koneen ollessa käynnissä.
- ◆ Älä työskentele jyrkissä rinteissä. Varmista, että seisot tukevasti. Muista, että juuri leikattu ruoho on kostea ja liukasta.
- ◆ Ole varovainen viimeistellessäsi reunoja, sorapolkuja tai teitä, sillä leikkuulangasta voi singota kiviä ja multaa.
- ◆ Älä laita konetta maahan, ennen kuin leikkuulanka on täysin pysähtynyt.
- ◆ Käytä vain Black & Deckerin suosittelemaa leikkuulankaa. Älä koskaan käytä metallista leikkuulankaa tai ongensiimaa.
- ◆ Kun olet pidentänyt uutta leikkuulankaa, aseta kone aina takaisin normaaliin käyttöasentoon ennen käynnistämistä.
- ◆ Pidä sähköjohto pois leikkuulangan tieltä. Varmista, että tiedät aina johdon sijainnin.

## SÄHKÖINEN TURVALLISUUS

Kone on suunniteltu käytettäväksi vain yhdellä jännitteellä. Tarkista aina, että virtalähde vastaa arvokilvessä ilmoitettua jännitettä.



Kone on kaksoiseristetty EN 60335:n mukaisesti.

- ◆ Vältä kosketusta maadoitettuihin pintoihin (esim. metallikaiteisiin, lyhtypylväisiin jne.).

- ◆ Sähköistä turvallisuutta voidaan parantaa käyttämällä erittäin herkkää (30 mA/30 mS) vikavirtasuojaa.

## Jatkojohdon käyttö

Käytä aina oikeanlaista jatkojohtoa, joka sopii tämän koneen virransyöttöliitäntään (katso arvokilpi).

Jatkojohdon tulee olla ulkokäyttöön tarkoitettu.

- ◆ Tarkista ennen käyttöä, ettei sähköjohto ole viallinen tai kulunut. Vaihda viallinen jatkojohto.
- ◆ Jos käytät jatkojohtokelaa, kelaa johto aina täysin auki.
- ◆ Pidä sähköjohto pois leikkuulangan tieltä. Varmista, että tiedät aina johdon sijainnin.

## PAKKAUKSEN SISÄLTÖ

Pakkaus sisältää:

- 1 Nurmikonviimeistelijä
- 1 Suoja ja kiinnitysruuvi
- 1 Leikkuulankapaloja sisältävä pakkaus
- 1 Käyttöohje

- ◆ Pura kaikki osat pakkauksesta varovaisesti.

## YLEISKUVAUS (kuva A)

1. Virrankatkaisija
2. Kädensija
3. Virransyöttöliitäntä
4. Suoja
5. Langan pidin
6. Leikkuulanka

## KOKOAMINEN



Ennen kokoamista varmista, että kone on pois päältä eikä sitä ole liitetty virtalähteeseen.

## Suojan kiinnittäminen (kuva B)

- ◆ Irrota kone virtalähteestä.
- ◆ Irrota ruuvi (7) suojasta (4).
- ◆ Aseta suoja (4) työkaluun kuvan osoittamalla tavalla.
- ◆ Paina suojaa lujasti, kunnes se napsahtaa paikalleen.
- ◆ Kiinnitä suoja ruuvilla (7).



Älä koskaan käytä konetta, jos suojaa ei ole kiinnitetty oikein paikalleen.



Älä koskaan yritä lukita virrankatkaisijaa käynnistysasentoon.

### **Uuden leikkuulangan kiinnittäminen (kuva C & D)**

Lankapakkauksia, jotka sisältävät valmiiksi leikattuja lankoja, myyvät Black & Decker -tuotteiden jälleenmyyjät (tuotenro A5995). Voit vaihtoehtoisesti ostaa 25 tai 40 m leikkuulankapakkauksen (A6170/A6171) ja leikata langan 177 mm:n pätkiin. Koneessa on säilytystila (9) leikkuulangan paloja varten (kuva C).

- ◆ Irrota kone virtalähteestä.
- ◆ Poista kaikki vanha leikkuulanka pidikkeestä.
- ◆ Poista kaikki lika ja ruoho langan pidikkeestä.
- 1. Aseta uuden leikkuulangan palan toinen pää reikään (10).
- 2. Vie lanka kiinnityspidikkeen alta (11) ja vedä lankaa, kunnes se napsahtaa paikalleen.
- 3. Aseta lanka kahteen uraan (12) kuvan mukaisesti ja vie se ulostuloreiän (13) läpi.
- ◆ Varmista, että lanka on kunnolla kiinni.



Käytä ainoastaan 1,5 mm:n läpimittaista Black & Deckerin leikkuulankaa.

### **Koneen liittäminen virtalähteeseen (kuva A & C)**

- ◆ Kiinnitä sopivan jatkojohdon naarasliitin virransyöttöliitäntään (3).
- ◆ Laita johto lenkille johdon pidikkeen (8) läpi kuten kuvassa C, jotta jatkojohto ei pääse irtoamaan käytön aikana.
- ◆ Kiinnitä pistoke virtalähteeseen.



Jatkojohdon tulee olla ulkokäyttöön tarkoitettu.

## **KÄYTTÖ**



Anna koneen käydä omaan tahtiinsa. Älä ylikuormita sitä.

### **Käynnistys ja pysäytys (kuva A)**

- ◆ Käynnistä kone painamalla virrankatkaisijaa (1).
- ◆ Sammuta kone päästämällä irti virrankatkaisijasta.

### **Vinkkejä parhaimman tuloksen saamiseksi**

- ◆ Pidä konetta kuten kuvassa E.
- ◆ Liikuta viimeistelijää pehmeästi puolelta toiselle kuvan E mukaisesti.
- ◆ Leikkaa pitkää ruohoa asteittain ylhäältä lähtien.
- ◆ Vältä kovia esineitä tai hentoja kasveja.
- ◆ Jos kone alkaa käydä hitaasti, vähennä kuormitusta.
- ◆ Paras leikkuutulos saadaan leikkaamalla kuivaa ruohoa.
- ◆ Vaihda kulunut leikkuulanka.

## **HUOLTO**

Black & Deckerin kone on suunniteltu toimimaan mahdollisimman pitkän aikaa mahdollisimman vähällä huollolla. Oikealla huollolla ja säännöllisellä puhdistuksella kone säilyttää suorituskykynsä.



Ennen huoltoa ja puhdistusta tulee koneen olla pois päältä ja irti virtalähteestä.

- ◆ Puhdista koneen ilma-aukot säännöllisesti pehmeällä harjalla tai kuivalla rievulla.
- ◆ Puhdista leikkuulanka ja langan pidin säännöllisesti pehmeällä harjalla tai kuivalla rievulla.
- ◆ Poista ruoho ja lika säännöllisesti suojan alapuolelta tylsällä kaapimella.
- ◆ Tarkista säännöllisesti, ettei leikkuulanka ole kulunut.



Älä koskaan käytä puhdistamiseen liuotinaineita tai syövyttäviä puhdistusaineita.

## **VIANMÄÄRITYS**

Jos kone ei näytä toimivan oikein, noudata seuraavia ohjeita. Jos kone ei tästä huolimatta toimi, ota yhteyttä valtuutettuun Black & Deckerin huoltopisteeseen.



Irrota kone virtalähteestä, ennen kuin jatkat.

## Kone ei käynnisty

- ◆ Tarkista, että johto on kunnolla kiinni.
- ◆ Tarkista sulakkeet.

## Kone tarvitsee epätavallisesti

- ◆ Puhdista langan pidin huolellisesti.
- ◆ Tarkista, että langan pidin on tukevasti kiinni eikä ole vaurioitunut. Korjauta tai vaihdata se tarvittaessa.
- ◆ Tarkista, että koneessa on leikkuulankaa ja se on kiinnitetty oikein.
- ◆ Tarkista, ettei leikkuulanka ole vaurioitunut. Vaihda se tarvittaessa.

## YMPÄRISTÖ



Kun koneesi on käytetty loppuun, älä heitä sitä tavallisten roskien mukana pois, vaan vie se paikkakuntasi kierrätyskeskukseen tai jätä valtuutettuun Black & Deckerin huoltoliikkeeseen.

## TAKUU

Black & Decker Oy takaa, ettei koneessa ollut materiaali- ja/tai valmistusvikaa silloin, kun se toimitettiin ostajalle. Takuu on lisäys kuluttajan laillisiin oikeuksiin eikä vaikuta niihin. Takuu on voimassa Euroopan Unionin jäsenmaissa ja Euroopan vapaakauppa-alueella (EFTA).

Mikäli Black & Decker -kone hajoaa materiaali- ja/ tai valmistusvirheen tai teknisten tietojen epätarkkuuden vuoksi 24 kk:n kuluessa ostopäivästä, Black & Decker korjaa koneen ilman kustannuksia ostajalle tai vaihtaa sen uuteen Black & Decker Oy:n valinnan mukaan.

Takuu ei kata vikoja, jotka johtuvat koneen

- ◆ normaalista kulumisesta
- ◆ ylikuormituksesta, virheellisestä käytöstä tai hoidosta
- ◆ vahingoittamisesta vieraalla esineellä tai aineella tai onnettomuustapauksessa.

Takuu ei ole voimassa, mikäli konetta on korjannut joku muu kuin Black & Deckerin valtuuttama huoltoliike.

Edellytyksenä takuun saamiselle on, että ostaja jättää koneen ja ostokuitin jälleenmyyjälle tai valtuutetulle huoltoliikkeelle viimeistään 2 kuukauden kuluessa vian ilmenemisestä. Tiedot valtuutetuista huoltoliikkeistä saa ottamalla yhteyttä Black & Decker Oy:hyn sekä internetistä osoitteesta [www.2helpU.com](http://www.2helpU.com), jossa on myös takuehdot.

## KORJAUKSET / VARAOSAT

Mikäli koneeseen tulee vikaa, jätä se aina Black & Deckerin valtuuttamaan huoltoliikkeeseen korjattavaksi (tiedot löytyvät uusimmasta tuoteluettelostamme tai ottamalla yhteyttä Black & Decker Oy:hyn). Varaosia myyvät valtuutetut Black & Deckerin huoltoliikkeet, ja heiltä voi myös pyytää kustannusarvion koneen korjauksesta.

Tiedot valtuutetuista huoltoliikkeistä löytyvät myös internetistä osoitteesta [www.2helpU.com](http://www.2helpU.com) sekä kotisivuiltamme [www.blackdecker.fi](http://www.blackdecker.fi).

## HUOLTO

Mikäli koneeseen tulee vikaa, jätä se aina Black & Deckerin valtuuttamaan huoltoliikkeeseen korjattavaksi (tietoja saat uusimmasta tuoteluettelostamme/hinnastostamme tai ottamalla yhteyttä Black & Decker Oy:hyn). Täydelliset huoltotiedot löydät internetistä osoitteesta [www.2helpU.com](http://www.2helpU.com) tai kotisivuiltamme [www.blackdecker.fi](http://www.blackdecker.fi). Tiedot huolloista löytyvät myös käyttöohjeen lopusta.

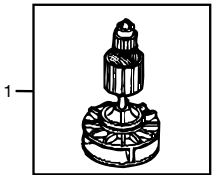
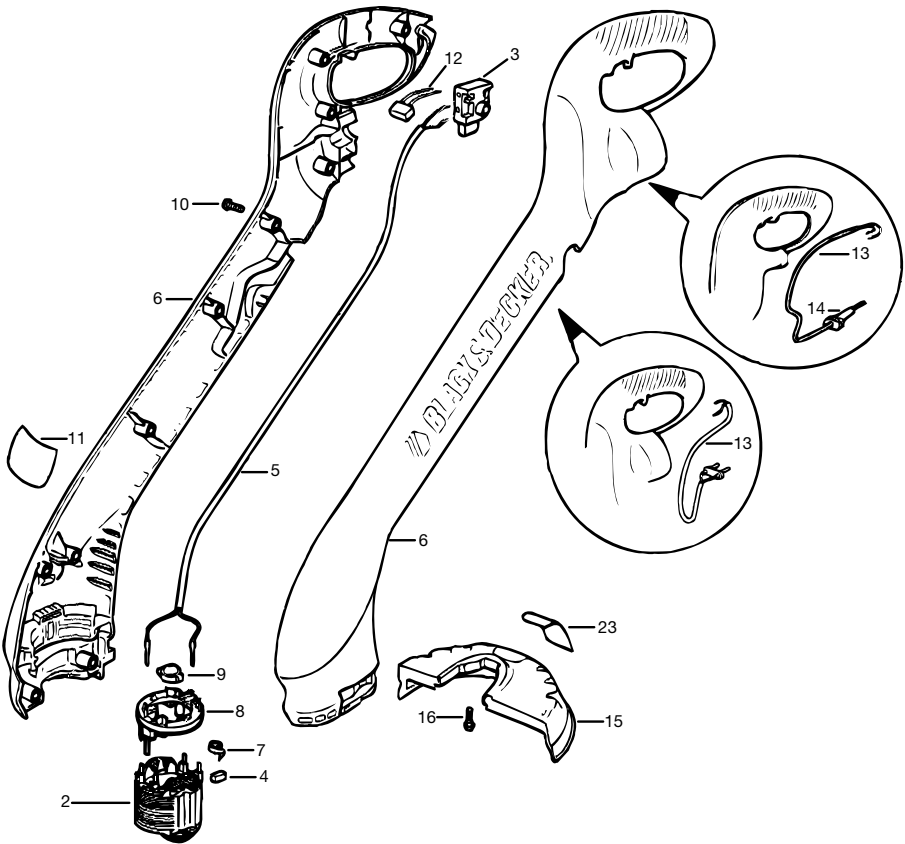
Jatkuvan tuotekehittelyn seurauksena nämä tiedot saattavat muuttua. Niistä emme ilmoita erikseen.

## MUITA PUUTARHATYÖKALUJA

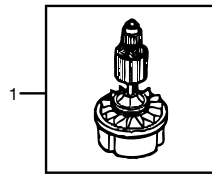
Black & Deckerillä on laaja valikoima puutarhakoneita, jotka tekevät puutarhan hoidon helpoksi. Lisätietoja alla olevista tuotteista saat Black & Deckerin jälleenmyyjältä tai kotisivuiltamme [www.blackdecker.fi](http://www.blackdecker.fi).

Sammaleenpoistajat      Pensasleikkurit  
Ketjusahat                Puutarhanpuhdistaja  
Nurmikonviimeistelijät    Ruohonleikkurit  
Oksasilppurit

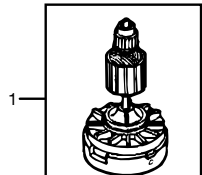




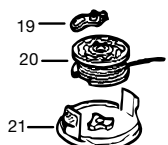
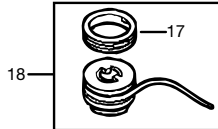
GL20S GL20SC



GL225/225S/225SC/225C



GL425/425S/425SC





<b>Australia</b>	DeWALT Industrial Power Tool Company 7 Clarice Road, Box Hill, Victoria 3128	Tel. 03 9895 9200 Fax 03 9899 7465
<b>Belgique/België</b>	Black & Decker (Belgium) N.V. Weihoek 1, 1930 Zaventem	Tel. 02/719.07.11 Fax 02/719.08.10
<b>Danmark</b>	Black & Decker Hejrevang 26B, 3450 Allerød Internet: www.blackdecker.dk	Tel. 70 20 15 10 Fax 48 14 13 99
<b>Deutschland</b>	Black & Decker GmbH Black & Decker Str. 40, D - 65510 Idstein	Tel. 06126/21 24 83 Fax 06126/21 26 01
<b>Ελλάς</b>	Black & Decker (Ελλάς) ∞.Ε. Στράβωνος 7 & μουλιαγμένης 159 ° Λυφάδα 16674, Ελλάδα	Δηλ. (01) 8981-616 Φαξ (01) 8983-570 Service (01) 8982-630
<b>España</b>	Black & Decker Spain Parque de Negocios "Mas Blau" Edificio Muntadas, c/Bergadá, 1, Of. A6 08820 El Prat de Llobregat (Barcelona)	Tel. 934 797 400 Fax 934 797 419
<b>France</b>	Black & Decker (France) S.A.S. B.P. 21, 69571 Dardilly Cédex	Tel. 04 72 20 39 20 Fax 04 72 20 39 00
<b>Helvetia</b>	Eduard Luggen Black & Decker-Service Schweiz Industriestrasse 1 / Postfach 323 8157 Dielsdorf	Tel. 01/854 01 01 Fax 01/854 02 02
<b>Italia</b>	Black & Decker Italia SpA Viale Elvezia 2 20052 Monza (MI)	Tel. 039-23871 Fax 039-2387592/2387594 Numero verde 800-213935
<b>Nederland</b>	Black & Decker (Nederland) BV Florijnstraat 10, 4879 AH Etten-Leur	Tel. 076-5082000 Fax 076-5038184
<b>New Zealand</b>	Black & Decker 81 Hugo Johnson Drive Penrose, Auckland, New Zealand	Tel. 09 579 7600 Fax 09 579 8200
<b>Norge</b>	Black & Decker (Norge) A/S Postboks 248, Leirdal, 1011 Oslo Internet: www.blackdecker.no	Tlf. 22 90 99 00 Fax 22 90 99 01
<b>Österreich</b>	Black & Decker Vertriebsges.m.b.H Erlaaerstraße 165, 1231 Wien	Tel. 01 66116-0 Fax 01 66116-14
<b>Portugal</b>	Black & Decker Rua Egas Moniz 173, 2766-651 S. João do Estoril	Tel. 214667500 Fax 214667575
<b>South Africa</b>	Black & Decker South Africa (Pty) Ltd Physical address: 146 Lechwe Street, Corporate park Randjiesfontein, Midrand Postal address: Postnet Suite 107, Private Bag X65 Halfway House 1685	Tel. (011) 653-1400 Fax (011) 653-1499
<b>Suomi</b>	Black & Decker Oy Palotie 3, 01610 Vantaa Black & Decker Oy, Brandvägen 3, 01610 Vanda	Puh: (09) 825 4540 Fax: (09) 825 45 444 Tel: (09) 825 4540 Fax: (09) 825 45 444
<b>Sverige</b>	Black & Decker AB Box 603, 421 26 Västra Frölunda, Besöksadr. Ekonomivägen 11	Tel: 031-68 60 00 Fax: 031-68 60 08
<b>Türkiye</b>	Black & Decker Merkez Servis Dudullu Cad. Kerembey Sok. No. 1 Küçükbakkalköy/İstanbul	Tel. 0216 455 89 73 Faks 0216 455 20 52
<b>United Kingdom</b>	Black & Decker 210 Bath Road Slough, Berkshire SL1 3YD	Tel. 01753 511234 Fax 01753 551155 Helpline 01753 574277

Dealer address  
Händleradresse  
Cachet du revendeur  
Indirizzo del rivenditore  
Adres van de dealer  
Direccion del detallista  
Morada do revendedor  
Återförsäljarens adress  
Forhandlerens adresse  
Forhandler adresse  
Jälleenmyyjän osoite  
Διεύθυνση αντ. ποσώ ου

Date of purchase  
Kaufdatum  
Date d'achat  
Data d'acquisto  
Ankoopdatum  
Fecha de compra  
Data de compra  
Inköpsdatum  
Innkjøpsdato  
Indkøbsdato  
Ostopäivä  
Προσποιητία αγοράς

◆ Name ◆ Name ◆ Nom ◆ Nome  
◆ Naam ◆ Nombre ◆ Nome ◆ Namn  
◆ Navn ◆ Navn ◆ Nimi ◆ \ \ vojua:

◆ Address ◆ Adresse ◆ Adresse ◆  
Indirizzo ◆ Adres ◆ Dirección ◆ Morada  
◆ Adress ◆ Adresse ◆ Adresse ◆ Osoite  
◆ Διεύθυνση:

◆ Town ◆ Ort ◆ Ville ◆ Città ◆ Plaats  
◆ Ciudad ◆ Localidade ◆ Ort ◆ By ◆ By  
◆ Paikkakunta ◆ Πόλητ:

◆ Postal code ◆ Postleitzahl ◆ Code  
postal ◆ Codice postale ◆ Postcode  
◆ Código ◆ Código postal ◆ Postnr.  
◆ Postnr. ◆ Postnr. ◆ Postnummero  
◆ j ωδικός

◆ Is this tool a gift? ◆ Ist dieses Gerät  
ein Geschenk? ◆ S' agit-il d'un cadeau?  
◆ Si tratta di un regalo? ◆ Kreeg u de  
machine als cadeau? ◆ ¿Ha recibido  
usted esta herramienta como regalo?  
◆ Recibeu esta ferramenta como  
presente? ◆ Är verktyget en gåva?  
◆ Er verktyget en gave? ◆ Er verktyget  
en gave? ◆ Onko kone lahja?  
◆ Δο εργαλείο είναι δώρο?

◆ Yes ◆ Ja ◆ Oui ◆ Si ◆ Ja ◆ Si  
◆ Sim ◆ Ja ◆ Ja ◆ Kyllä ◆ Nai

◆ No ◆ Nein ◆ Non ◆ No ◆ Nee  
◆ No ◆ Não ◆ Nej ◆ Nei ◆ Nej  
◆ Ei ◆ \ \ Xi

◆ Is this tool your first purchase? ◆ Ist  
dieses Gerät ein Erstkauf? ◆ Est-ce un  
1er achat? ◆ Questo prodotto è il suo  
primo acquisto? ◆ Is deze machine uw  
eerste aankoop? ◆ ¿Es esta  
herramienta la primera de este tipo?  
◆ Esta ferramenta é a sua primeira  
compra? ◆ Är detta ditt första B&D-  
verktyg? ◆ Er dette ditt første B&D-  
verktyg? ◆ Er dette dit første B&D

verktyg? ◆ Onko tämä ensimmäinen  
B&D-koneesi? ◆ Είναι το εργαλείο  
αυτό η πρώτη σας αγορά?

◆ Yes ◆ Ja ◆ Oui ◆ Si ◆ Ja ◆ Si  
◆ Sim ◆ Ja ◆ Ja ◆ Kyllä ◆ Nai

◆ No ◆ Nein ◆ Non ◆ No ◆ Nee  
◆ No ◆ Não ◆ Nej ◆ Nei ◆ Nej  
◆ Ei ◆ \ \ Xi

◆ Dealer address ◆ Händleradresse  
◆ Cachet du revendeur ◆ Indirizzo del  
rivenditore ◆ Adres van de dealer  
◆ Dirección del detallista ◆ Morada do  
revendedor ◆ Återförsäljarens adress  
◆ Forhandlerens adresse ◆ Forhandler  
adresse ◆ Jälleenmyyjän osoite  
◆ Διεύθυνση αντ. ποσώ ου

Cat. no.:



◆ Data protection act: Tick the box if  
you prefer not to receive further  
information. ◆ Bitte ankreuzen, falls Sie  
keine weiteren Informationen erhalten  
möchten. ◆ Si vous ne souhaitez pas  
recevoir d'informations, cochez cette  
case. ◆ Barrate la casella se non  
desiderate ricevere informazioni.  
◆ A.u.b. dit vakje aankruisen indien u  
geen informatie wenst te ontvangen.  
◆ Señale en la casilla sino quiere recibir  
información. ◆ Por favor, assinala com  
uma cruz se não desejar receber  
informação. ◆ Vänligen kryssa för i  
rutan om Ni inte vill ha information.  
◆ Vennligst kryss av dersom du ikke  
ønsker informasjon. ◆ Venligst sæt  
kryds i ruden såfremt De ikke måtte  
ønske at modtage information.  
◆ Merkitkää rasti ruutuun, mikäli ette  
halua vastaanottaa informaatiota.  
◆ Παρακαλείστε να σημειώσετε εάν  
δεν θέλετε να έχετε πληροφορίες.

- ◆ GUARANTEE CARD
- ◆ GARANTIEKART
- ◆ GARANTI KORT
- ◆ GARANTIEKARTE
- ◆ TARJETA DE GARANTIA
- ◆ GARANTI KORT
- ◆ CARTE DE GARANTIE
- ◆ CARTÃO DE GARANTIA
- ◆ TAKUUKORTTI
- ◆ TAGLIANDO DI GARANZIA
- ◆ GARANTIBEVIS
- ◆ ∞ P ∞ E ∞ ∞ ΥΠΙΣΤΙΣ



**English**

Please complete this section immediately after the purchase of your tool and send it to Black & Decker in your country. If you live in Australia or New Zealand, please register by using the alternative guarantee card supplied.

**Español**

Después de haber comprado su herramienta envíe usted, por favor, esta tarjeta a la central de Black & Decker en su país.

**Português**

Por favor, recorte esta parte, coloque-a num envelope selado e enderegado e envie-o logo após a compra do seu produto para o endereço da Black & Decker do seu país.

**Deutsch**

Bitte schneiden Sie diesen Abschnitt ab, stecken ihn in einen frankierten Umschlag und schicken ihn an die Black & Decker Adresse Ihres Landes.

**Svenska**

Var vänlig klipp ur denna del och sänd den i ett frankerat kuvert till Black & Deckers adress i Ditt land. Vänligst klipp ut denne delen umiddelbart etter du har pakket ut ditt produkt og legg det i en adressert konvolutt til Black & Decker (Norge) A/S.

**Français**

Découpez cette partie et envoyez-la sous enveloppe timbrée à l'adresse de Black & Decker dans votre pays, ceci immédiatement après votre achat.

**Norsk**

Venligst klip denne del ud og send frankeret til Black & Decker i dit land.

**Italiano**

Per favore ritagliate questa parte, inseritela in una busta con francobollo e spedite-la subito dopo l'acquisto del prodotto all'indirizzo della Black & Decker nella vostra nazione.

**Dansk**

Leikkaa irti tämä osa, laita se kuoreen ja postita kuori paikalliseen Black & Decker osoitteeseen. Πακοιδάω κόψετε αуро το κομμάτι και ταχυδπομηώστε το κούρωας μετά την αγορά του ποϊόντρος οας στην

**Nederlands**

Knip dit gedeelte uit en zend het direct na aankoop in een getrankeerde, geaddresserde envelop naar het adres van Black & Decker in uw land.

**Ελληνικά**

Πακοιδάω κόψετε αуро το κομμάτι και ταχυδπομηώστε το κούρωας μετά την αγορά του ποϊόντρος οας στην διεύθυνση της Black & Decker στην ΕΛΛΑΔΑ.