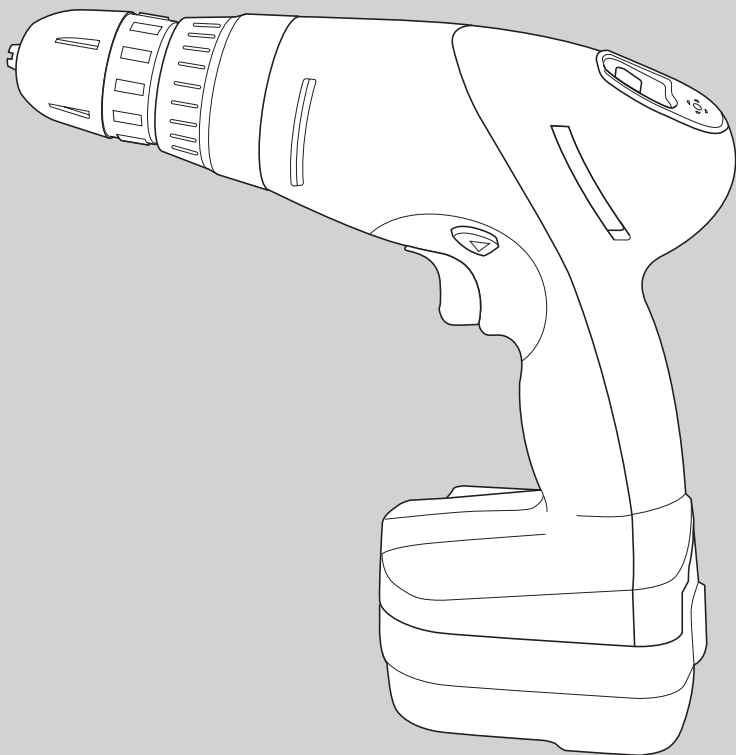
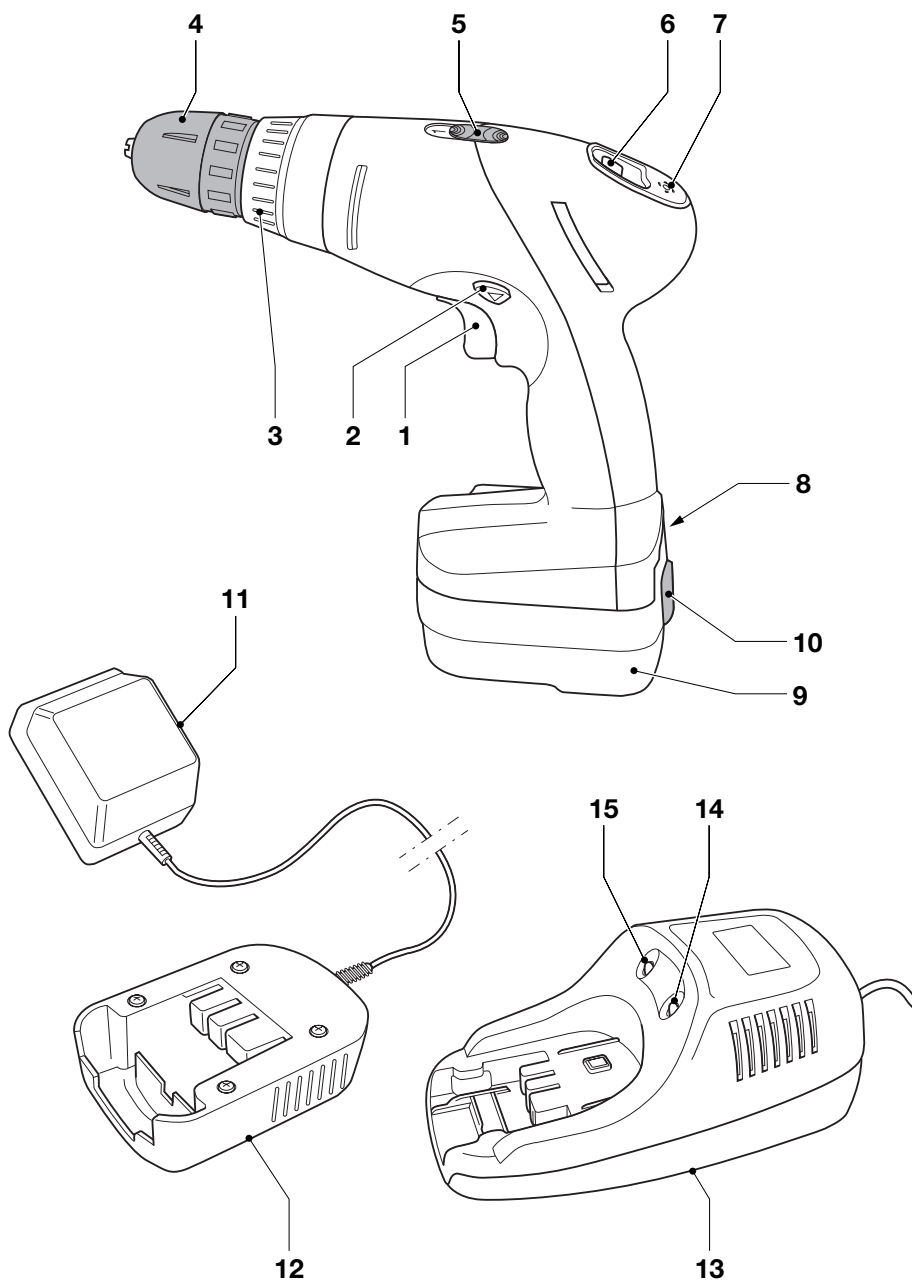


 **BLACK &
DECKER®**

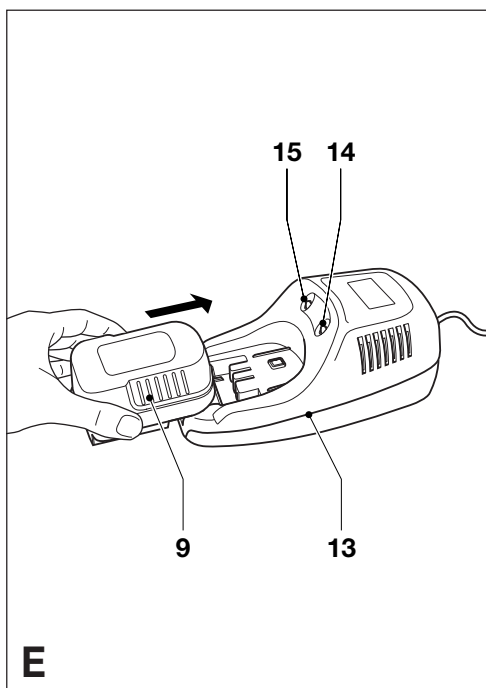
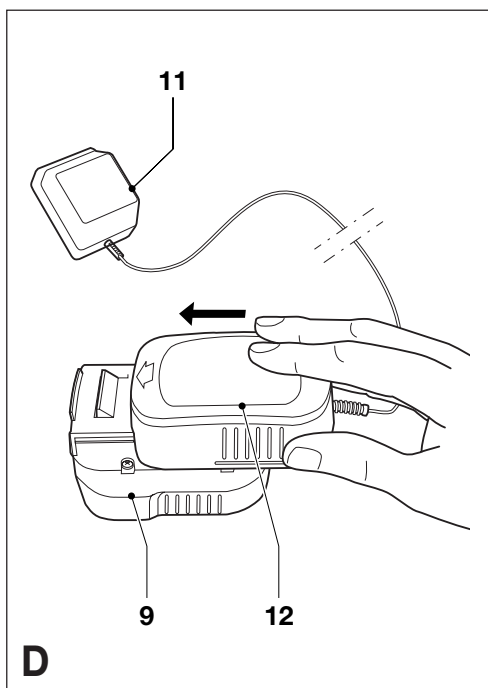
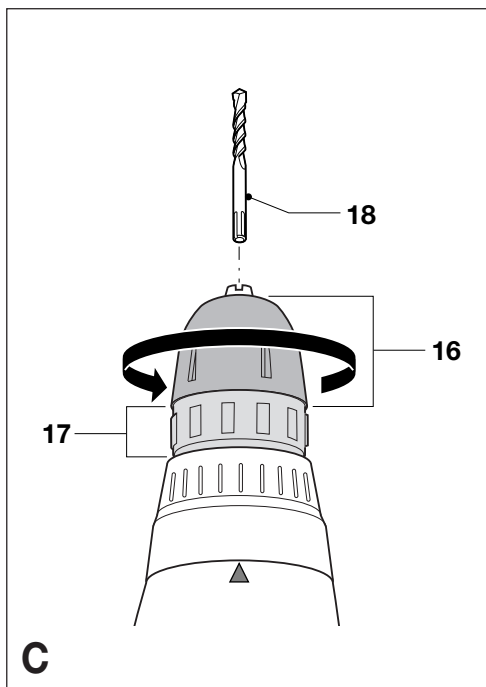
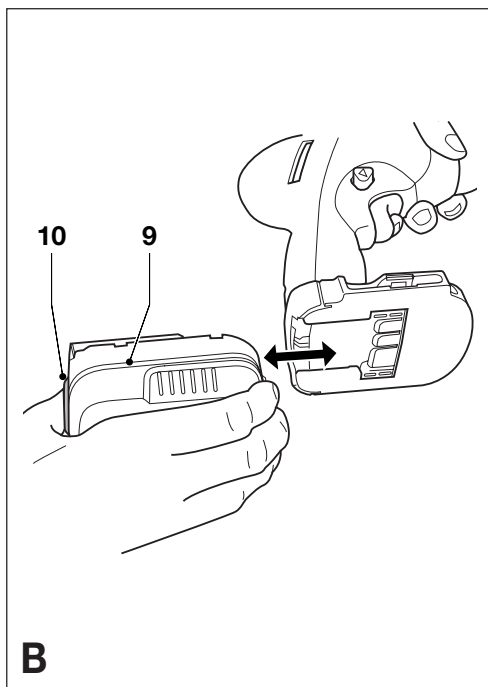


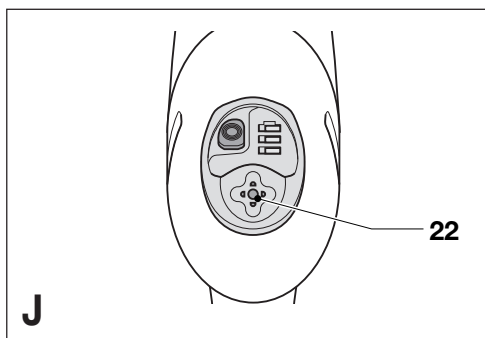
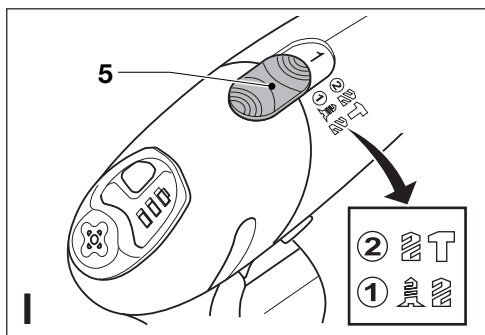
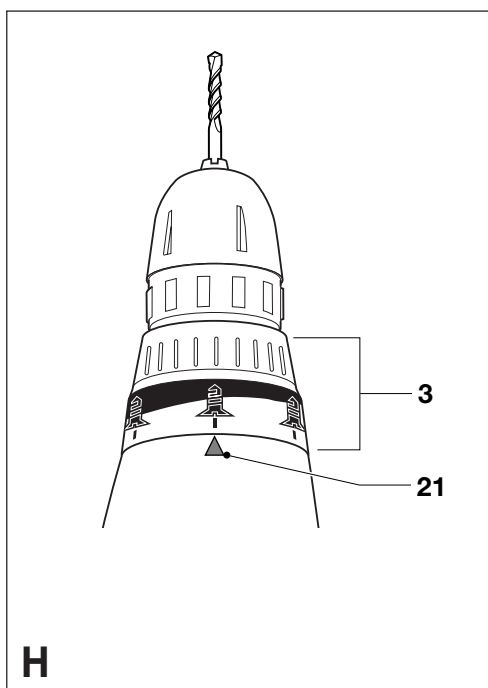
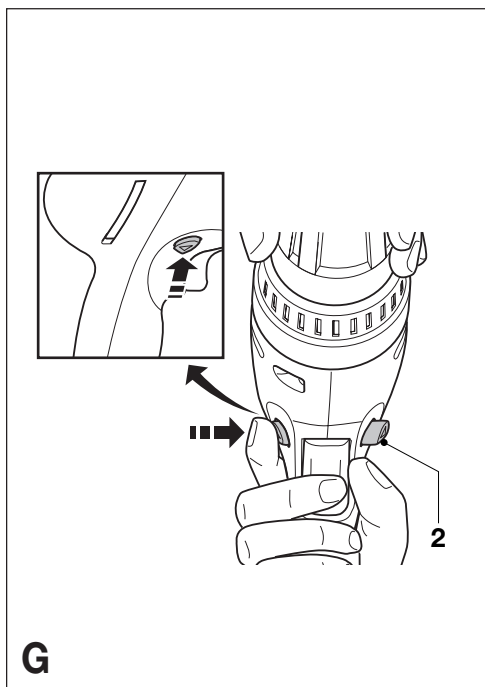
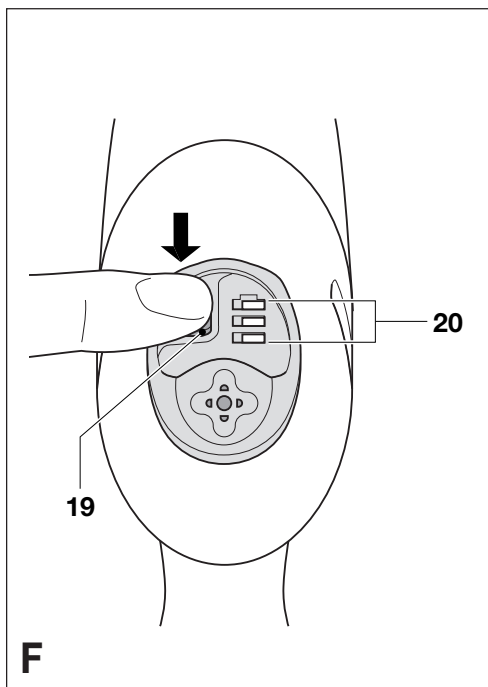
HP96K
HP12K(D)
HP14K(D)
HP122K(D)
HP142K(D)

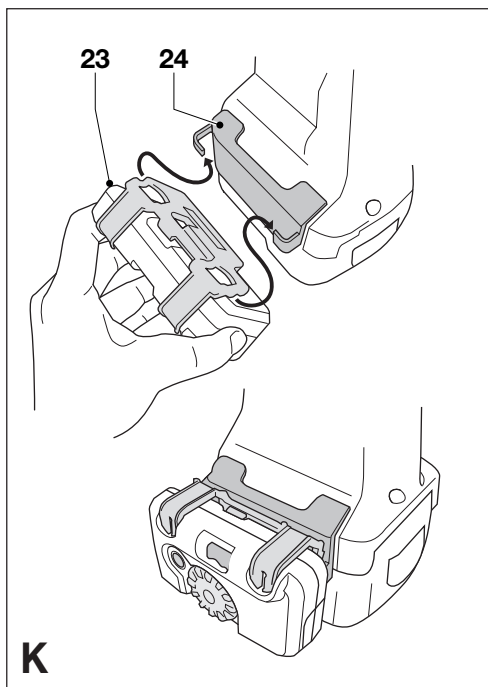
English	7
Deutsch	15
Français	23
Italiano	31
Nederlands	39
Español	47
Português	55
Svenska	63
Norsk	70
Dansk	77
Suomi	84
Ελληνικά	91



A







CORDLESS DRILL/SCREWDRIVER HP96K/ HP12K(D)/HP14K(D)/HP122K(D)/HP142K(D)

CONGRATULATIONS!

You have chosen a Black & Decker tool. Our aim is to provide quality tools at an affordable price. We hope that you will enjoy using this tool for many years.



Colin Wills
Director of Engineering
BCDI, 4/F, 2 Dai Wang Street
Tai Po Industrial Estate
Tai Po NT, Hong Kong

EC DECLARATION OF CONFORMITY

CE HP96K/HP12K(D)/HP14K(D)/HP122K(D)/HP142K(D)

Black & Decker declares that these tools conform to: 98/37/EC, 89/336/EEC, 73/23/EEC, EN 50260, EN 55014, EN 60335, EN 61000

Level of sound pressure, measured according to EN 50260:

	HP96K	HP12K(D)	HP14K(D)
L_{pA} (sound pressure) dB(A)	71	70	75
L_{WA} (acoustic power) dB(A)	84	83	86

	HP122K(D)	HP142K(D)
L_{pA} (sound pressure) dB(A)	84	82
L_{WA} (acoustic power) dB(A)	97	94



Always wear ear protection if the sound pressure exceeds 85 dB(A).

Hand/arm weighted vibration value according to EN 50260:

HP96K	HP12K(D)	HP14K(D)	HP122K(D)	HP142K(D)
< 2.5 m/s ²	< 2.5 m/s ²	< 2.5 m/s ²	6.8 m/s ²	6.0 m/s ²

INTENDED USE

Your Black & Decker drill/screwdriver HP96K/HP12K(D)/HP14K(D) has been designed for screwdriving applications and for drilling in wood, metal and plastics. Your Black & Decker drill/screwdriver HP122K(D)/HP142K(D) has been designed for screwdriving applications and for drilling in wood, metal, plastics and soft masonry. This tool is intended for consumer use only. Your Black & Decker charger has been designed for charging Black & Decker batteries of the type supplied with this tool.

SAFETY INSTRUCTIONS

Warning symbols

The following symbols are used in this manual:



Denotes risk of personal injury, loss of life or damage to the tool in case of non-observance of the instructions in this manual.



Denotes risk of electric shock.



Read the manual prior to operation.



Fire hazard.

Know your tool



- ◆ Warning! When using battery-powered tools, basic safety precautions, including the following, should always be followed to reduce the risk of fire, leaking batteries, personal injury and material damage.
- ◆ Read all of this manual carefully before operating the tool.
- ◆ Before operating the tool, make sure that you know how to switch the tool off in an emergency.
- ◆ Retain this manual for future reference.

General

1. Keep work area clean

Cluttered areas and benches can cause accidents.

2. Consider work area environment

Do not expose the tool to rain. Do not use the tool in damp or wet conditions. Keep the work area well lit. Do not use the tool where there is a risk of causing fire or explosion, e.g. in the presence of flammable liquids and gases.

3. Keep children away

Do not allow children, visitors or animals to come near the work area or to touch the tool.

4. Dress properly

Do not wear loose clothing or jewellery, as these can be caught in moving parts. Preferably wear rubber gloves and non-slip footwear when working outdoors. Wear protective hair covering to keep long hair out of the way.

5. Personal protection

Always use safety glasses. Use a face or dust mask whenever the operations may produce dust or flying particles. Wear ear protection whenever the sound level seems uncomfortable.

6. Do not overreach

Keep proper footing and balance at all times.

7. Stay alert

Watch what you are doing. Use common sense. Do not operate the tool when you are tired.

8. Secure workpiece

Use clamps or a vice to hold the workpiece.

It is safer and it frees both hands to operate the tool.

9. Connect dust extraction equipment

If devices are provided for the connection of dust extraction and collection facilities, ensure that these are connected and properly used.

10. Remove keys and adjusting wrenches

Always check that keys and adjusting wrenches are removed from the tool before operating the tool.

11. Use appropriate tool

The intended use is described in this instruction manual. Do not force small tools or attachments to do the job of a heavy-duty tool. The tool will do the job better and safer at the rate for which it was intended. Do not force the tool.

Warning! The use of any accessory or attachment or performance of any operation with this tool other than those recommended in this instruction manual may present a risk of personal injury.

12. Check for damaged parts

Before use, carefully check the tool for damage. Check for misalignment and seizure of moving parts, breakage of parts, damage to guards and switches and any other conditions that may affect its operation.

Ensure that the tool will operate properly and perform its intended function.

Do not use the tool if any part is damaged or defective.

Do not use the tool if the switch does not turn it on and off. Have any damaged or defective parts repaired or replaced by an authorised repair agent. Never attempt any repairs yourself.

13. Remove the battery

Where the design permits, remove the battery when the tool is not in use, before changing any parts of the tool, accessories or attachments and before servicing.

14. Avoid unintentional starting

Do not carry the tool with a finger on the on/off switch. Be sure that the tool is switched off when inserting the battery into the tool.

15. Do not abuse cord

Never carry the charger by its cord or pull it to disconnect from the socket. Keep the cord away from heat, oil and sharp edges.

16. Store idle tools

When not in use, tools, batteries and chargers should be stored in a dry, locked up or high place, out of reach of children.

17. Maintain tools with care

Keep cutting tools sharp and clean for better and safer performance. Follow the instructions for maintenance and changing accessories.

Keep handles and switches dry, clean and free from oil and grease.

18. Repairs

This tool complies with relevant safety requirements. Repairs should only be carried out by qualified persons using original spare parts; otherwise this may result in considerable danger to the user.

Additional safety instructions for batteries and chargers

Batteries

- ◆ Never attempt to open for any reason.
- ◆ Do not expose to water.
- ◆ Do not store in locations where the temperature may exceed 40 °C.
- ◆ Charge only at ambient temperatures between 4 °C and 40 °C.
- ◆ Charge only using the charger provided with the tool (see technical data).
- ◆ Before charging, make sure that the battery is dry and clean.
- ◆ Use only the correct type of battery for the tool (see technical data).
- ◆ When disposing of batteries, follow the instructions given in the section "Protecting the environment".
- ◆ Under extreme conditions, battery leakage may occur. When you notice liquid on the battery, proceed as follows:
 - Carefully wipe the liquid off using a cloth. Avoid skin contact.
 - In case of skin or eye contact, follow the instructions below.



The battery fluid, a 25-30% solution of potassium hydroxide, can be harmful. In case of skin contact, immediately rinse with water.

Neutralise with a mild acid such as lemon juice or vinegar. In case of eye contact, rinse abundantly with clean water for at least 10 minutes. Consult a physician.



Fire hazard! Avoid short-circuiting the contacts of a detached battery (e.g. when storing the battery in a toolbox).



Do not incinerate the battery.



Do not attempt to charge damaged batteries.

Chargers

- ◆ Use your Black & Decker charger only to charge batteries of the type supplied with your tool. Other batteries could burst, causing personal injury and damage.
- ◆ Never attempt to charge non-rechargeable batteries.
- ◆ Have defective cords replaced immediately.
- ◆ Do not expose to water.
- ◆ Do not open the charger.
- ◆ Do not probe the charger.



The charger is intended for indoor use only.

Additional safety instructions for drill/screwdrivers

- ◆ Before drilling into walls, floors or ceilings, check for the location of wiring and pipes.
- ◆ Avoid touching the tip of a drill bit just after drilling, as it may be hot.

ELECTRICAL SAFETY

Your charger has been designed for a specific mains voltage. Always check that the mains voltage corresponds to the voltage on the rating plate.



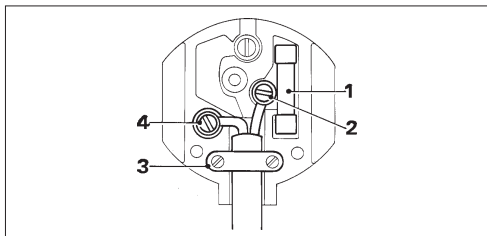
Your charger is double insulated in accordance with EN 60335; therefore no earth wire is required.

HP96K/HP12K(D)/HP14K(D)



Never attempt to replace the charger unit with a regular mains plug.

HP122K(D)/HP142K(D) - Mains plug replacement (U.K. & Ireland only)



- ◆ Should your mains plug need replacing and you are competent to do this, proceed as instructed below. If you are in doubt, contact an authorised repair agent or a qualified electrician.
- ◆ Disconnect the plug from the supply and remove the fuse from the plug.
- ◆ Cut off the plug and dispose of it safely; a plug with bared copper conductors is dangerous if engaged in a live socket outlet.
- ◆ Only fit 13 Amperes BS1363A approved plugs fitted with a 5 A fuse (1).
- ◆ The cable wire colours, or a letter, will be marked at the connection points of most good quality plugs. Attach the wires to their respective points in the plug (see above). Brown is for Live (L) (2), blue is for Neutral (N) (4).
- ◆ Before replacing the top cover of the mains plug ensure that the cable restraint (3) is holding the outer sheath of the cable firmly and that the leads are correctly fixed at the terminal screws.
- ◆ If the plug has a fuse cover, make sure that the fuse cover is fitted. Do not use the plug if the fuse cover is missing or damaged.



Never use a light socket.

OVERVIEW (fig. A)

1. Variable speed switch (HP12K(D)/HP14K(D)/HP122K(D)/HP142K(D))

1. Two-speed on/off switch (HP96K)
2. Forward/reverse slider
3. Mode selector / torque adjustment collar
4. Chuck
5. Two-gear selector (HP122K(D)/HP142K(D))
6. Battery charge indicator (HP96K/HP12K/HP14K/HP122K/HP142K)
7. Straight drilling indicator
8. Bit holder
9. Battery
10. Battery release button
11. Charger (HP96K/HP12K(D)/HP14K(D))
12. Charger receptacle (HP96K/HP12K(D)/HP14K(D))
13. Charger (HP122K(D)/HP142K(D))
14. Charging indicator (HP122K(D)/HP142K(D))
15. End of charge indicator (HP122K(D)/HP142K(D))

ASSEMBLY

Fitting and removing the battery (fig. B)

- ◆ To fit the battery (9), line it up with the receptacle on the tool. Slide the battery into the receptacle and push until the battery snaps into place.
- ◆ To remove the battery, push the release button (10) while at the same time pulling the battery out of the receptacle.

Fitting and removing a drill bit or screwdriver bit (fig. A & C)

This tool is fitted with a keyless chuck to allow for an easy exchange of bits.

- ◆ Lock the tool by setting the forward/reverse slider (2) to the centre position (fig. A).
- ◆ Open the chuck by turning the front part (16) with one hand while holding the rear part (17) with the other (fig. C).
- ◆ Insert the bit shaft (18) into the chuck.
- ◆ Firmly tighten the chuck by turning the front part (16) with one hand while holding the rear part (17) with the other.

This tool is supplied with a double-ended screwdriver bit in the bit holder (8) (fig. A).

- ◆ To remove the screwdriver bit from the bit holder, lift the bit from the recess.
- ◆ To store the screwdriver bit, firmly push it into the holder.

HP12KD/HP14KD/HP122KD/HP142KD -**Attaching the detector (fig. K)**

The tool provides a mounting location where the detector (23) is stored when not in use.

- ◆ Hang the unit to the holder (24) as shown.

USE

Let the tool work at its own pace.
Do not overload.

Charging the battery

The battery needs to be charged before first use and whenever it fails to produce sufficient power on jobs that were easily done before.

When charging the battery for the first time, or after prolonged storage, it will only accept an 80% charge. After several charge and discharge cycles, the battery will attain full capacity. The battery may become warm while charging; this is normal and does not indicate a problem.



Do not charge the battery at ambient temperatures below 4 °C or above 40 °C.
Recommended charging temperature:
approx. 24 °C.

HP96K/HP12K(D)/HP14K(D) (fig. D)

- ◆ To charge the battery (9), remove it from the tool.
- ◆ Slide the charger receptacle (12) onto the battery as shown.
- ◆ Plug in the charger (11).

The battery will become warm while charging.

After approx. 3 hours of charging, the battery will be fully charged.

- ◆ Remove the charger receptacle from the battery.

HP122K(D)/HP142K(D) (fig. E)

- ◆ To charge the battery (9), remove it from the tool and insert it into the charger (13).
The battery will only fit into the charger in one way. Do not force. Be sure that the battery is fully seated in the charger.
- ◆ Plug in the charger.
- ◆ Check if the red charging indicator (14) lights up.

If the green end of charge indicator (15) lights up now instead, the battery is too hot and cannot be charged. If this happens, remove the battery from the charger, let the battery cool down for approx. 1 hour and re-insert it.

After approx. 1 hour of charging, the red charging indicator (14) will stop lighting and the green end of charge indicator (15) will light up. The battery is now fully charged.

- ◆ Remove the battery from the charger.

HP96K/HP12K/HP14K/HP122K/HP142K -**Checking the battery condition (fig. F)**

This tool is fitted with a battery charge indicator, which allows you to check the condition of the battery.

- ◆ Press and hold down the button (19).
- ◆ Check to see how many of the lights (20) are on:

Battery charge

1 light low

2 lights medium

3 lights high


Selecting the direction of rotation (fig. G)

For drilling and for tightening screws, use forward (clockwise) rotation. For loosening screws or removing a jammed drill bit, use reverse (counterclockwise) rotation.

- ◆ To select forward rotation, push the forward/reverse slider (2) to the left.
- ◆ To select reverse rotation, push the forward/reverse slider to the right.
- ◆ To lock the tool, set the forward/reverse slider into the centre position.


Selecting the operating mode or torque (fig. H)

This tool is fitted with a collar to select the operating mode and to set the torque for tightening screws. Large screws and hard workpiece materials require a higher torque setting than small screws and soft workpiece materials. The collar has a wide range of settings to suit your application.

- ◆ For drilling in wood, metal and plastics, set the collar (3) to the drilling position by aligning the symbol  with the marking (21).

- ◆ For screwdriving, set the collar to the desired setting. If you do not yet know the appropriate setting, proceed as follows:
 - ◆ Set the collar (3) to the lowest torque setting.
 - ◆ Tighten the first screw.
 - ◆ If the clutch ratchets before the desired result is achieved, increase the collar setting and continue tightening the screw. Repeat until you reach the correct setting. Use this setting for the remaining screws.

HP122K(D)/HP142K(D) - Drilling in masonry (fig. H & I)

- ◆ For drilling in masonry, set the collar (3) to the hammer drilling position by aligning the symbol  with the marking (21).
- ◆ Slide the two-gear selector (5) towards the front of the tool (2nd gear).

HP122K(D)/HP142K(D) - Two-gear selector (fig. I)

- ◆ For drilling in steel and for screwdriving applications, slide the two-gear selector (5) towards the rear of the tool (1st gear).
- ◆ For drilling in materials other than steel, slide the two-gear selector (5) towards the front of the tool (2nd gear).

Straight drilling indicator (fig. J)

This tool is fitted with an indicator to facilitate straight drilling. This feature can be used both in horizontal and in vertical position.

- ◆ Position the tool as required.
- ◆ Keep the switch (1) slightly depressed without switching the tool on.
- ◆ Slowly move the rear of the tool until the red indicator (22) lights up.
- ◆ Press the switch further to start drilling.

HP12KD/HP14KD/HP122KD/HP142KD - Detecting pipes or wires (fig. K)

- ◆ Take the detector (23) out of the holder (24).
- ◆ Refer to the manual of the detector for further instructions.

Drilling/screwdriving (fig. A)

- ◆ Select forward or reverse rotation using the forward/reverse slider (2).
- ◆ To switch the tool on, press the switch (1).

The tool speed depends on how far you press the switch.

- ◆ To switch the tool off, release the switch.

Hints for optimum use

Drilling

- ◆ Always apply a light pressure in a straight line with the drill bit.
- ◆ Just before the drill tip breaks through the other side of the workpiece, decrease pressure on the tool.
- ◆ Use a block of wood to back up workpieces that may splinter.
- ◆ Use spade bits when drilling large diameter holes in wood.
- ◆ Use HSS drill bits when drilling in metal.
- ◆ Use masonry bits when drilling in soft masonry.
- ◆ Use a lubricant when drilling metals other than cast iron and brass.
- ◆ Make an indentation using a centre punch at the centre of the hole to be drilled in order to improve accuracy.

Screwdriving

- ◆ Always use the correct type and size of screwdriver bit.
- ◆ If screws are difficult to tighten, try applying a small amount of washing liquid or soap as a lubricant.
- ◆ Always hold the tool and screwdriver bit in a straight line with the screw.

MAINTENANCE

Your Black & Decker tool has been designed to operate over a long period of time with a minimum of maintenance. Continuous satisfactory operation depends upon proper tool care and regular cleaning.

Your charger does not require any maintenance apart from regular cleaning.



- ◆ Before performing any maintenance on the tool, remove the battery from the tool.
- ◆ Unplug the charger before cleaning it.

- ◆ Regularly clean the ventilation slots in your tool and charger using a soft brush or dry cloth.
- ◆ Regularly clean the motor housing using a damp cloth. Do not use any abrasive or solvent-based cleaner.
- ◆ Regularly open the chuck and tap it to remove any dust from the interior.

- ◆ NiCd and NiMH batteries are recyclable. Take them to your service agent or a local recycling station. Collected batteries will be recycled or disposed of properly.

PROTECTING THE ENVIRONMENT

Tools



Should you find one day that your tool needs replacement, or if it is of no further use to you, think of the protection of the environment. Black & Decker repair agents will accept old Black & Decker tools and ensure that they are disposed of in an environmentally safe way.

Batteries



Black & Decker batteries can be recharged many times. At the end of their useful life, discard batteries with due care for our environment:

- ◆ Run the battery down completely, then remove it from the tool.

Guarantee

Black & Decker is confident of the quality of its products and offers an outstanding guarantee. This guarantee statement is in addition to and in no way prejudices your statutory rights. The guarantee is valid within the territories of the Member States of the European Union and the European Free Trade Area.

If a Black & Decker product becomes defective due to faulty materials, workmanship or lack of conformity, within 24 months from the date of purchase, Black & Decker guarantees to replace defective parts, repair products subjected to fair wear and tear or replace such products to ensure minimum inconvenience to the customer unless:

- ◆ The product has been used for trade, professional or hire purposes;
- ◆ The product has been subjected to misuse or neglect;
- ◆ The product has sustained damage through foreign objects, substances or accidents;

Technical data

		HP96K	HP12K(D)	HP14K(D)	HP122K(D)	HP142K(D)
Voltage	V_{DC}	9.6	12	14.4	12	14.4
No-load speed	min^{-1}	350/700	0-750	0-750	0-400/0-1,200	0-400/0-1,200
Max. torque	Nm	10.5	11.8	12.9	23.5	26
Chuck capacity	mm	10	10	10	10	10
Max. drilling capacity						
in steel/wood/masonry	mm	10/20/-	10/25/-	10/30/-	10/25/12	10/30/12
Weight (without battery)	kg	1.0	1.0 (1.2)	1.3 (1.4)	1.0 (1.2)	1.3 (1.4)

Battery		HP96K	HP12K(D)	HP14K(D)	HP122K(D)	HP142K(D)
Battery cat. no.		A96	A12	499936-34	A12	499936-35
Voltage	V_{DC}	9.6	12	14.4	12	14.4
Capacity	Ah	1.2	1.2	1.2	1.2	1.2
Weight	kg	0.56	0.52 (0.63)	0.76	0.52	0.63

Charger		HP96K	HP12K(D)	HP14K(D)	HP122K(D)	HP142K(D)
Input voltage	V_{AC}	230	230	230	230	230
Approx. charging time	h	3	3	3	1	1

- ◆ Repairs have been attempted by persons other than authorised repair agents or Black & Decker service staff.

To claim on the guarantee, you will need to submit proof of purchase to the seller or an authorised repair agent. You can check the location of your nearest authorised repair agent by contacting your local Black & Decker office at the address indicated in this manual. Alternatively, a list of authorised Black & Decker repair agents and full details of our after-sales service and contacts are available on the Internet at:

www.2helpU.com.

AKKU-BOHRSCHRAUBER HP96K/HP12K(D)/ HP14K(D)/HP122K(D)/HP142K(D)

HERZLICHEN GLÜCKWUNSCH!

Sie haben sich für ein Gerät von Black & Decker entschieden. Wir möchten Qualitätsgeräte zu einem erschwinglichen Preis bieten. Wir hoffen, daß Sie dieses Gerät viele Jahre mit Freude verwenden werden.



Colin Wills

Director of Engineering
BDCI, 4/F, 2 Dai Wang Street
Tai Po Industrial Estate
Tai Po NT, Hong Kong

EU-KONFORMITÄTSERKLÄRUNG



HP96K/HP12K(D)/HP14K(D)/HP122K(D)/
HP142K(D)

Black & Decker erklärt hiermit, daß diese Geräte entsprechend folgenden Richtlinien und Normen konzipiert wurden: 98/37/EWG, 89/336/EWG, 73/23/EWG, EN 50260, EN 55014, EN 60335, EN 61000

Höhe des Schalldrucks, gemessen nach EN 50260:

		HP96K	HP12K(D)	HP14K
L_{pA} (Schalldruck)	dB(A)	71	70	75
L_{WA} (Schalleistung)	dB(A)	84	83	86

		HP122K(D)	HP142K(D)
L_{pA} (Schalldruck)	dB(A)	84	82
L_{WA} (Schalleistung)	dB(A)	97	94



Tragen Sie bei einem Schalldruck über 85 dB(A) einen Gehörschutz.

Gewichteter Effektivwert der Beschleunigung nach EN 50260:

HP96K	HP12K(D)	HP14K(D)	HP122K(D)	HP142K(D)
$< 2,5 \text{ m/s}^2$	$< 2,5 \text{ m/s}^2$	$< 2,5 \text{ m/s}^2$	$6,8 \text{ m/s}^2$	$6,0 \text{ m/s}^2$

BESTIMMUNGSGEMÄSSE VERWENDUNG

Ihr Black & Decker Bohrschrauber HP96K/HP12K(D)/HP14K(D) wurde für Schraubaufgaben sowie für das Bohren in Holz, Metall und Kunststoff konstruiert. Ihr Black & Decker Bohrschrauber HP122K(D)/HP142K(D) wurde für Schraubaufgaben sowie für das Bohren in Holz, Metall, Kunststoff und weiches Mauerwerk konstruiert. Dieses Gerät ist nicht für den gewerblichen Einsatz vorgesehen. Ihr Black & Decker Ladegerät wurde zum Laden von Black & Decker Akkus vom im Lieferumfang enthaltenen Typ entwickelt.

SICHERHEITSHINWEISE

Warnsymbole

Folgende Warnsymbole werden in dieser Anleitung verwendet:



Verletzungsgefahr, Lebensgefahr oder mögliche Beschädigung des Geräts infolge der Nichtbeachtung der Anweisungen dieser Anleitung!



Gefahr eines elektrischen Schlages.



Lesen Sie vor der Inbetriebnahme die Anleitung.



Feuergefahr.

Kennen Sie Ihr Gerät



- ◆ **Warnung!** Bei der Verwendung von Akkugeräten sind zum Schutz gegen Feuergefahr, gegen Austreten der Akkuflüssigkeit sowie gegen Körper- und Sachschaden grundlegende Sicherheitsmaßnahmen, einschließlich der folgenden Vorschriften, zu beachten.
- ◆ Lesen Sie diese Anleitung gründlich durch, bevor Sie das Gerät verwenden.
- ◆ Informieren Sie sich vor der Inbetriebnahme, wie Sie das Gerät im Notfall ausschalten.
- ◆ Bewahren Sie diese Anleitung auf.

Allgemeines

1. Halten Sie Ihren Arbeitsbereich in Ordnung!

Unordnung im Arbeitsbereich führt zu Unfallgefahren.

2. Berücksichtigen Sie Umgebungseinflüsse!

Setzen Sie das Gerät keinem Regen aus. Verwenden Sie das Gerät nicht in einer feuchten oder nassen Umgebung. Sorgen Sie für eine gute Beleuchtung des Arbeitsbereiches. Benutzen Sie das Gerät nicht an Orten, wo Feuergefahr oder Explosionsgefahr besteht, z.B. in der Nähe von brennbaren Flüssigkeiten oder Gasen.

3. Halten Sie Kinder fern!

Halten Sie Kinder, Besucher und Tiere dem Arbeitsbereich fern und sorgen Sie dafür, daß Sie das Gerät nicht berühren.

4. Tragen Sie geeignete Arbeitskleidung!

Tragen Sie keine weite Kleidung oder Schmuck, da diese von sich bewegenden Teilen erfaßt werden können. Beim Arbeiten im Freien sind Arbeitshandschuhe und rutschfestes Schuhwerk empfehlenswert. Tragen Sie bei langen Haaren ein Haarnetz.

5. Schutzmaßnahmen

Verwenden Sie immer eine Schutzbrille. Tragen Sie eine Atemschutzmaske, falls die Arbeiten Staub oder Späne erzeugen können. Tragen Sie bei einem hohen oder unangenehmen Schallpegel immer einen Gehörschutz.

6. Achten Sie auf einen sicheren Stand!

Achten Sie auf einen sicheren Stand, um in jeder Arbeitsposition das Gleichgewicht zu halten.

7. Seien Sie stets aufmerksam!

Konzentrieren Sie sich auf Ihre Arbeit. Gehen Sie vernünftig vor. Verwenden Sie das Gerät nicht, wenn Sie müde sind.

8. Sichern Sie das Werkstück!

Benutzen Sie Spannvorrichtungen oder einen Schraubstock, um das Werkstück festzuhalten. Es ist damit sicherer gehalten und ermöglicht die Bedienung des Gerätes mit beiden Händen.

9. Schließen Sie Vorrichtungen zur Staubabsaugung an!

Falls Vorrichtungen zur Absaugung oder zum Sammeln von Staub an das Gerät angeschlossen werden können, vergewissern Sie sich, daß diese angeschlossen sind und ordnungsgemäß verwendet werden.

10. Lassen Sie keine Schlüssel stecken!

Überprüfen Sie vor dem Einschalten, ob die Schlüssel und Einstellwerkzeuge entfernt sind.

11. Benutzen Sie das richtige Gerät!

Die bestimmungsgemäße Verwendung ist in dieser Betriebsanleitung beschrieben. Verwenden Sie keine zu schwachen Geräte oder Zubehörteile für schwere Arbeiten. Mit dem richtigen Gerät erzielen Sie eine optimale Qualität und gewährleisten Ihre persönliche Sicherheit. Überlasten Sie das Gerät nicht.

Warnung! Das Verwenden anderer als der in dieser Anleitung empfohlenen Vorsatzgeräte und Zubehörteile oder die Ausführung von Arbeiten mit diesem Gerät, die nicht der bestimmungsgemäßen Verwendung entsprechen, kann zu Unfallgefahren führen.

12. Kontrollieren Sie Ihr Gerät auf Beschädigungen!

Überprüfen Sie das Gerät vor der Arbeit auf Beschädigungen. Überprüfen Sie, ob alle beweglichen Teile richtig montiert sind, ob keine Teile gebrochen sind, ob keine Schutzvorrichtungen und Schalter beschädigt sind, und ob irgendwelche andere Schäden den einwandfreien Betrieb des Gerätes beeinträchtigen könnten. Vergewissern Sie sich, daß das Gerät ordnungsgemäß funktionieren wird. Benutzen Sie das Gerät nicht, wenn irgendein Teil defekt ist.

Verwenden Sie das Gerät nicht, wenn der Ein-/Aus-Schalter nicht funktioniert. Lassen Sie defekte Teile immer von einer unserer Kundendienstwerkstätten reparieren oder austauschen. Versuchen Sie nie, das Gerät selber zu reparieren.

13. Entfernen Sie den Akku:

Entfernen Sie, falls möglich, den Akku, wenn Sie das Gerät nicht benutzen, bevor Sie irgendwelche Werkzeuge, Zubehörteile oder Geräteteile auswechseln und bevor Sie irgendwelche Wartungsarbeiten vornehmen.

14. Vermeiden Sie ein unbeabsichtigtes Einschalten!

Tragen Sie das Gerät nicht mit dem Finger am Ein-/Aus-Schalter. Vergewissern Sie sich, daß das Gerät ausgeschaltet ist, wenn Sie den Akku anbringen.

15. Behandeln Sie das Kabel sorgfältig!

Tragen Sie das Ladegerät nicht am Kabel und benutzen Sie das Kabel nicht, um den Stecker aus der Steckdose zu ziehen. Schützen Sie das Kabel vor Hitze, Öl und scharfen Kanten.

16. Bewahren Sie Ihre Geräte sicher auf!

Unbenutzte Geräte, Ladegeräte und Akkus sind an einem trockenen, für Kinder nicht erreichbaren Ort aufzubewahren.

17. Pflegen Sie Ihre Geräte mit Sorgfalt!

Halten Sie Schneidwerkzeuge scharf und sauber, um gut und sicher arbeiten zu können. Befolgen Sie die Wartungsvorschriften und die Hinweise für den Werkzeugwechsel. Halten Sie Handgriffe und Schalter trocken, sauber und frei von Öl und Fett.

18. Reparaturen:

Dieses Gerät entspricht den einschlägigen Sicherheitsvorschriften. Reparaturen sind nur von autorisierten Fachkräften und mit Original-Ersatzteilen vorzunehmen; andernfalls kann Unfallgefahr für den Betreiber entstehen.

Zusätzliche Sicherheitshinweise für Akkus und Ladegeräte

Akkus

- ◆ Versuchen Sie auf keinen Fall, einen Akku zu öffnen.
- ◆ Setzen Sie den Akku keiner Nässe aus.

- ◆ Lagern Sie den Akku nicht an einem Ort, wo die Temperatur 40 °C erreichen kann.
- ◆ Laden Sie den Akku nur bei einer Umgebungstemperatur zwischen 4 °C und 40 °C.
- ◆ Laden Sie den Akku nur mit dem im Lieferumfang enthaltenen Ladegerät (siehe technische Daten).
- ◆ Vergewissern Sie sich vor dem Laden, daß der Akku trocken und sauber ist.
- ◆ Verwenden Sie den korrekten Akkutyp für das jeweilige Gerät (siehe technische Daten).
- ◆ Befolgen Sie bei der Entsorgung von Akkus die Anweisungen im Abschnitt "Umweltschutz".
- ◆ Unter extremen Einsatzbedingungen kann Akkuflüssigkeit aus dem Akku austreten. Wenn sich Flüssigkeit auf dem Akku befindet, gehen Sie folgendermaßen vor:
 - Wischen Sie die Flüssigkeit mit Hilfe eines Tuches vorsichtig vom Akku. Vermeiden Sie eine Berührung mit der Haut.
 - Falls die Flüssigkeit doch mit der Haut oder den Augen in Berührung kommen sollte, befolgen Sie die folgenden Hinweise.



Die Akkuflüssigkeit, eine 25 bis 30% starke Kaliumhydroxidlösung, kann schädlich sein. Falls die Lösung mit der Haut in Berührung kommt, spülen Sie sofort mit reichlich Wasser. Neutralisieren Sie die Lösung mit einer milden Säure wie Zitronensaft oder Essig. Falls die Lösung mit den Augen in Berührung kommt, spülen Sie mindestens 10 Minuten lang mit reichlich klarem Wasser. Wenden Sie sich an einen Arzt.



Feuergefahr! Vermeiden Sie, daß Metallteile die Anschlüsse eines nicht am Gerät befindlichen Akkus kurzschließen (z.B. Schlüssel, die zusammen mit dem Akku in einer Tasche getragen werden).



Verbrennen Sie den Akku nicht!



Versuchen Sie nie, einen beschädigten Akku zu laden!

Ladegeräte

- ◆ Verwenden Sie Ihr Black & Decker Ladegerät nur zum Laden von Akkus vom im Lieferumfang enthalten Typ. Andere Akkus könnten platzen und Sach- und Personenschäden verursachen.
- ◆ Versuchen Sie nie, nichtwiederaufladbare Batterien zu laden.
- ◆ Lassen Sie ein beschädigtes Kabel sofort austauschen.
- ◆ Setzen Sie das Ladegerät keiner Nässe aus.
- ◆ Öffnen Sie das Ladegerät nicht.
- ◆ Fassen Sie nicht mit den Fingern oder irgendwelchen Gegenständen in das Ladegerät.



Nicht für die Verwendung im Freien zugelassen!

Zusätzliche Sicherheitshinweise für Bohrschrauber

- ◆ Informieren Sie sich vor dem Bohren in Wänden, Böden und Decken über den genauen Verlauf von Leitungen und Röhren.
- ◆ Vermeiden Sie eine Berührung der Spitze eines Bohrers kurz nach dem Bohren, da sie heiß sein kann.

ELEKTRISCHE SICHERHEIT

Überprüfen Sie, ob die Netzspannung der auf dem Typenschild des Ladegerätes angegebenen Spannung entspricht.



Ihr Ladegerät ist gemäß EN 60335 doppelt isoliert; eine Erdleitung ist somit nicht erforderlich.

HP96K/HP12K(D)/HP14K(D)



Tauschen Sie das Ladegerät auf keinen Fall gegen einen Netzstecker aus.

GERÄTEBESCHREIBUNG (Abb. A)

1. Drehzahl-Regelschalter (HP12K(D)/HP14K(D)/HP122K(D)/HP142K(D))
1. Zweistufiger Ein-/Aus-Schalter (HP96K)
2. Linkslauf-/Rechtslauf-Umschalter
3. Betriebsart-Wahlschalter/Drehmoment-Einstellung
4. Bohrfutter
5. Zweigang-Wahlschalter (HP122K(D)/HP142K(D))

6. Batterieladeanzeige (HP96K/HP12K/HP14K/HP122K/HP142K)
7. Gerade Bohranzeige
8. Schrauberklingshalter
9. Akku
10. Akku-Löseknopf
11. Ladegerät (HP96K/HP12K(D)/HP14K(D))
12. Ladegerätaufnahme (HP96K/HP12K(D)/HP14K(D))
13. Ladegerät (HP122K(D)/HP142K(D))
14. Ladeanzeige (HP122K(D)/HP142K(D))
15. Statusanzeige (HP122K(D)/HP142K(D))

MONTAGE

Anbringen und Entfernen des Akkus (Abb. B)

- ◆ Um den Akku (9) anzubringen, richten Sie ihn mit der Aufnahme im Werkzeug aus. Schieben Sie den Akku in die Aufnahme und drücken Sie, bis er einrastet.
- ◆ Um den Akku zu entfernen, drücken Sie den Löseknopf (10) und ziehen Sie gleichzeitig den Akku aus der Aufnahme heraus.

Anbringen und Entfernen eines Bohrers oder einer Schrauberklings (Abb. A & C)

Dieses Werkzeug ist mit einem Schnellspannbohrfutter versehen, das ein leichtes und schnelles Austauschen von Bohren und Schrauberklings ermöglicht.

- ◆ Verriegeln Sie das Gerät, indem Sie den Linkslauf-/Rechtslauf-Umschalter (2) in die mittlere Stellung schieben (Abb. A).
- ◆ Öffnen Sie das Bohrfutter, indem Sie den vorderen Teil (16) mit der einen Hand aufdrehen, während Sie den hinteren Teil (17) mit der anderen Hand festhalten (Abb. C).
- ◆ Stecken Sie den Schaft (18) des Bohrers bzw. der Schrauberklings in das Bohrfutter.
- ◆ Ziehen Sie das Bohrfutter fest, indem Sie den vorderen Teil (16) mit der einen Hand zudrehen, während Sie den hinteren Teil (17) mit der anderen Hand festhalten.

Bei der Lieferung befindet sich eine zweiseitige Schrauberklings in der Aufnahme (8) (Abb. A).

- ◆ Um die Schrauberklings aus der Aufnahme zu entfernen, ziehen Sie sie aus der Aussparung.

- ◆ Um die Schrauber Klinge in der Aufnahme anzubringen, drücken Sie sie mit Kraft in die Aufnahme.

HP12KD/HP14KD/HP122KD/HP142KD - Anbringen des Detektors (Abb. K)

Das Werkzeug ist mit einem Anbringungspunkt ausgestattet, an dem der Detektor (23) aufbewahrt wird, wenn er nicht verwendet wird.

- ◆ Hängen Sie das Gerät wie angegeben an den Halter (24).

GEBRAUCH



Beschleunigen Sie den Arbeitsvorgang nicht mit Gewalt. Vermeiden Sie eine Überlastung des Gerätes.

Laden des Akkus

Der Akku ist zu laden, bevor Sie das Akku-Gerät zum ersten Mal benutzen sowie wenn die Leistung des Akku-Geräts spürbar nachläßt. Wenn der Akku zum ersten Mal oder nach längerer Lagerung geladen wird, wird er nur 80% der Nennkapazität erreichen. Erst nach mehreren Lade- und Entladezyklen wird der Akku die volle Kapazität erreichen. Während des Ladens kann sich der Akku erwärmen. Dies deutet nicht auf irgendein Problem hin.



Laden Sie den Akku nicht bei einer Umgebungstemperatur unter 4 °C oder über 40 °C. Empfohlene Ladetemperatur: zirka 24 °C.

HP96K/HP12K(D)/HP14K(D) (Abb. D)

- ◆ Um den Akku (9) zu laden, entfernen Sie ihn vom Werkzeug.
- ◆ Schieben Sie die Aufnahme (12) des Ladegeräts wie angegeben auf den Akku.
- ◆ Stecken Sie den Netzstecker (11) des Ladegerätes in die Steckdose.

Der Akku wird beim Aufladen warm. Nach ca. 3 Stunden Ladezeit ist der Akku vollständig aufgeladen.

- ◆ Entfernen Sie die Aufnahme des Ladegeräts vom Akku.

HP122K(D)/HP142K(D) (Abb. E)

- ◆ Um den Akku (9) zu laden, entfernen Sie ihn vom Gerät und stecken ihn in das Ladegerät (13). Der Akku läßt sich nur in einer Stellung in das Ladegerät einführen. Wenden Sie keine Gewalt an. Vergewissern Sie sich, daß der Akku vollständig in das Ladegerät eingeführt ist.
- ◆ Stecken Sie den Netzstecker des Ladegerätes in die Steckdose.
- ◆ Überprüfen Sie, ob die rote Ladeanzeige (14) aufleuchtet. Falls statt dessen die grüne Statusanzeige (15) aufleuchtet, ist der Akku zu heiß zum Laden. Ist dies der Fall, so nehmen Sie den Akku aus dem Ladegerät, lassen ihn eine Stunde lang abkühlen und stecken ihn dann wieder in das Ladegerät.

Nach dem zirka einstündigen Ladevorgang erlischt die rote Ladeanzeige (14) und die grüne Statusanzeige (15) leuchtet auf. Der Akku ist nun vollständig geladen.

- ◆ Entfernen Sie den Akku vom Ladegerät.

HP96K/HP12K/HP14K/HP122K/HP142K - Überprüfung des Akku-Zustandes (Abb. F)

Dieses Werkzeug ist mit einer Batterieladeanzeige ausgestattet. Hiermit kann der Zustand des Akkus überprüft werden.

- ◆ Drücken und halten Sie den Knopf (19) herunter.
- ◆ Prüfen Sie, wieviel Lampen (20) aufleuchten: Akku-Ladezustand

1 Lampe niedrig

2 Lampenmittel

3 Lampenhoch


Einstellen der Drehrichtung (Abb. G)

Zum Bohren sowie zum Eindrehen von Schrauben verwenden Sie den Rechtslauf. Zum Lösen von Schrauben sowie zum Lösen eines festgefahrenen Bohrers verwenden Sie den Linkslauf.


- ◆ Für Rechtslauf drücken Sie den Linkslauf-/Rechtslauf-Umschalter (2) nach links.
- ◆ Für Linkslauf drücken Sie den Linkslauf-/Rechtslauf-Umschalter nach rechts.
- ◆ Um das Gerät zu verriegeln, schieben Sie den Linkslauf-/Rechtslauf-Umschalter in die mittlere Stellung.

Wahl der Betriebsart bzw. des Drehmoments (Abb. H)

Dieses Gerät ist mit einem Drehring zur Einstellung der Betriebsart und zur Einstellung des Drehmoments beim Eindrehen von Schrauben versehen. Große Schrauben und harte Werkstücke erfordern eine höhere Einstellung des Drehmoments als kleine Schrauben und weiche Werkstücke. Der Drehring hat einen großen Einstellbereich, um Ihrem Einsatz gerecht zu werden.

- ◆ Zum Bohren in Holz, Metall und Kunststoff drehen Sie den Ring (3) in die Bohrstellung, indem Sie das Symbol  mit der Markierung (21) ausrichten.
- ◆ Zum Schrauben drehen Sie den Ring in die gewünschte Stellung. Falls Sie die richtige Einstellung noch nicht kennen, gehen Sie folgendermaßen vor:
 - ◆ Stellen Sie den Drehring (3) in die Stellung mit dem geringsten Drehmoment.
 - ◆ Ziehen Sie die erste Schraube fest.
 - ◆ Falls die Kupplung zu schnell auskuppelt, stellen Sie den Ring auf einen größeren Wert ein und setzen Sie den Schraubvorgang fort. Wiederholen Sie diese Methode, bis Sie den richtigen Wert gefunden haben. Verwenden Sie diesen Wert für die anderen Schrauben.

HP122K(D)/HP142K(D) - Bohren in Mauerwerk (Abb. H & I)

- ◆ Zum Bohren in Mauerwerk drehen Sie den Ring (3) in die Schlagbohrstellung, indem Sie das Symbol  mit der Markierung (21) ausrichten.
- ◆ Schieben Sie den Zweigang-Wahlschalter (5) zur Vorderseite des Werkzeugs (2. Gang).

HP122K(D)/HP142K(D) - Zweigang-Wahlschalter (Abb. I)

- ◆ Zum Bohren in Stahl und für Schraubeinsätze schieben Sie den Zweigang-Wahlschalter (5) zur Hinterseite des Werkzeugs (1. Gang).
- ◆ Zum Bohren in Gegenstände, die nicht aus Stahl bestehen, schieben Sie den Zweigang-Wahlschalter (5) zur Vorderseite des Werkzeugs (2. Gang).

Gerade Bohranzeige (Abb. J)

Dieses Werkzeug ist mit einer Anzeige ausgestattet, die das gerade Bohren erleichtert. Diese Funktion kann in waagerechter sowie in senkrechter Richtung verwendet werden.

- ◆ Bringen Sie das Werkzeug in die erforderliche Stellung.
- ◆ Halten Sie den Schalter (1) leicht gedrückt, ohne das Werkzeug dabei einzuschalten.
- ◆ Bewegen Sie langsam die Hinterseite des Werkzeugs, bis die rote Anzeige (22) aufleuchtet.
- ◆ Drücken Sie den Schalter weiter, um das Bohren einzuleiten.

HP12KD/HP14KD/HP122KD/HP142KD - Ortung von Rohrleitungen oder Kabeln (Abb. K)

- ◆ Nehmen Sie den Detektor (23) aus dem Halter (24).
- ◆ Weitere Anweisungen siehe Detektor-Handbuch.

Bohren/Schrauben (Abb. A)

- ◆ Wählen Sie mit Hilfe des Linkslauf-/Rechtslauf-Umschalters (2) Links- bzw. Rechtslauf.
- ◆ Um das Gerät einzuschalten, drücken Sie den Schalter (1). Je tiefer Sie den Schalter drücken, um so höher ist die Drehzahl des Werkzeugs.
- ◆ Um das Gerät auszuschalten, lassen Sie den Schalter los.

Hinweise für optimale Arbeitsergebnisse

Bohren

- ◆ Üben Sie immer einen leichten Druck in Richtung der Bohrerspitze aus.
- ◆ Sobald Sie spüren, daß das Werkstück fast durchbohrt ist, reduzieren Sie schrittweise den Druck auf die Bohrerspitze, bis der Bohrvorgang beendet ist.
- ◆ Beim Bohren in Werkstücken, die leicht splintern oder ausreißen, legen Sie einen Holzklötzchen hinter das Werkstück.
- ◆ Verwenden Sie zum Bohren größerer Löcher in Holz einen Schlangenbohrer.
- ◆ Verwenden Sie zum Bohren in Metall HSS-Bohrer.
- ◆ Verwenden Sie zum Bohren in weiches Mauerwerk Steinbohrer.
- ◆ Verwenden Sie beim Bohren in andere Metalle als Gußeisen und Messing eine Kühlflüssigkeit.

- ◆ Markieren Sie die Bohrstelle mit Hilfe eines Bohrkörners, um ein positionsgenaueres Bohren zu gewährleisten.

Schrauben

- ◆ Verwenden Sie immer Schrauberklingen des richtigen Typs und in der richtigen Größe.
- ◆ Falls sich Schrauben schwer eindrehen lassen, tragen Sie etwas Spülmittel oder Seife als Schmiermittel an der Schraube auf.
- ◆ Halten Sie das Gerät und die Schrauberklinge immer in einer geraden Linie mit der Schraube.

WARTUNG

Ihr Black & Decker Gerät wurde für eine lange Lebensdauer und einen möglichst geringen Wartungsaufwand entwickelt.

Ein dauerhafter, einwandfreier Betrieb setzt eine regelmäßige Reinigung voraus. Ihr Ladegerät bedarf keiner Wartung, außer einer regelmäßigen Reinigung.



- ◆ Bevor Sie irgendwelche Wartungsarbeiten vornehmen, entfernen Sie den Akku vom Akku-Gerät.
- ◆ Ziehen Sie den Netzstecker des Ladegerätes aus der Steckdose, bevor Sie es reinigen.

- ◆ Reinigen Sie regelmäßig die Lüftungsschlitze im Gerät und Ladegerät mit Hilfe einer weichen Bürste oder eines trockenen Tuches.
- ◆ Reinigen Sie regelmäßig das Motorgehäuse mit Hilfe eines feuchten Tuches. Verwenden Sie keine scheuernden Reinigungsmittel oder Reinigungsmittel auf Lösungsmittelbasis.
- ◆ Reinigen Sie regelmäßig das Bohrfutter, indem Sie es öffnen und durch leichtes Klopfen Staub aus dem Inneren des Bohrfutters entfernen.

UMWELTSCHUTZ

Geräte



Falls Sie Ihr Gerät eines Tages ersetzen möchten oder keine Verwendung mehr dafür haben, denken Sie bitte an den Umweltschutz. Black & Decker nimmt Ihre Black & Decker Altgeräte gern zurück und sorgt für eine umweltfreundliche Entsorgung.

Akkus



Black & Decker Akkus lassen sich viele Male wiederaufladen. Am Ende des technischen Lebens ist der Akku mit Rücksicht auf die Umwelt und fachgerecht zu entsorgen:

Technische Daten

		HP96K	HP12K(D)	HP14K(D)	HP122K(D)	HP142K(D)
Spannung	V_{DC}	9,6	12	14,4	12	14,4
Leerlaufdrehzahl	min^{-1}	350/700	0-750	0-750	0-400/0-1.200	0-400/0-1.200
Max. Drehmoment	Nm	10,5	11,8	12,9	23,5	26
Bohrfutterkapazität	mm	10	10	10	10	10
Max. Bohrkapazität						
in Stahl/Holz/Mauerwerk	mm	10/20/-	10/25/-	10/30/-	10/25/12	10/30/12
Gewicht (ohne Akku)	kg	1,0	1,0 (1,2)	1,3 (1,4)	1,0 (1,2)	1,3 (1,4)

Akku		HP96K	HP12K(D)	HP14K(D)	HP122K(D)	HP142K(D)
Bestellnummer Akku		A96	A12	499936-34	A12	499936-35
Spannung	V_{DC}	9,6	12	14,4	12	14,4
Kapazität	Ah	1,2	1,2	1,2	1,2	1,2
Gewicht	kg	0,56	0,52 (0,63)	0,76	0,52	0,63

Ladegerät		HP96K	HP12K(D)	HP14K(D)	HP122K(D)	HP142K(D)
Netzspannung	V_{AC}	230	230	230	230	230
Ladezeit (zirka)	Std.	3	3	3	1	1

- ◆ Entladen Sie den Akku vollständig und entfernen Sie ihn vom Gerät.
- ◆ NiMH- und NiCd-Akkus sind wiederverwertbar. Zur Wiederverwertung oder umweltverträglichen Entsorgung sind sie bei Ihrem Händler oder einer kommunalen Sammelstelle abzugeben. Auf keinen Fall dürfen Akkus über den Hausmüll entsorgt werden.

Garantie

Black & Decker vertraut auf die Qualität der eigenen Geräte und bietet dem Käufer eine außergewöhnliche Garantie. Diese Garantiezusage versteht sich unbeschadet der gesetzlichen Gewährleistungsansprüche und schränkt diese keinesfalls ein. Sie gilt in sämtlichen Mitgliedsstaaten der Europäischen Union und der Europäischen Freihandelszone EFTA.

Tritt innerhalb von 24 Monaten ab Kaufdatum an einem Gerät von Black & Decker ein auf Material- oder Verarbeitungsfehler zurückzuführender Mangel auf, garantiert Black & Decker den Austausch defekter Teile, die Reparatur von Geräten mit üblichem Verschleiß bzw. den Austausch eines mangelhaften Geräts, ohne den Kunden dabei mehr als unbedingt nötig in Anspruch zu nehmen, allerdings vorbehaltlich folgender Ausnahmen:

- ◆ wenn das Gerät gewerblich, beruflich oder im Verleihgeschäft benutzt wurde;
- ◆ wenn das Gerät mißbräuchlich verwendet oder mit mangelnder Sorgfalt behandelt wurde;
- ◆ wenn das Gerät durch irgendwelche Fremdeinwirkung beschädigt wurde;
- ◆ wenn ein unbefugter Reparaturversuch durch anderes Personal als das einer Vertragswerkstatt oder des Black & Decker-Kundendienstes unternommen wurde.

Zur Inanspruchnahme dieser Garantie ist dem Verkäufer bzw. der Vertragswerkstatt ein Kaufnachweis vorzulegen. Der Kaufnachweis muß Kaufdatum und Gerätetyp bescheinigen. Die Adresse des zuständigen Büros von Black & Decker steht in dieser Anleitung, darüber läßt sich die nächstgelegene Vertragswerkstatt ermitteln. Außerdem ist eine Liste der Vertragswerkstätten und aller Kundendienststellen von Black & Decker sowie der zuständigen Ansprechpartner im Internet zu finden unter: **www.2helpU.com**.

PERCEUSE / VISSEUSE-DEVISSEUSE SANS FIL HP96K/HP12K(D)/HP14K(D)/HP122K(D)/ HP142K(D)

FELICITATIONS !

Vous avez choisi un outil Black & Decker.
Notre but est de fournir des outils de qualité au juste prix. Nous espérons que vous profiterez de cet outil pendant longtemps.

DECLARATION DE CONFORMITE CE



HP96K/HP12K(D)/HP14K(D)/HP122K(D)/
HP142K(D)

Black & Decker déclare que ces outils sont conformes aux normes:

98/37/CEE, 89/336/CEE, 73/23/CEE,
EN 50260, EN 55014, EN 60335, EN 61000

Niveau de pression acoustique, mesuré suivant la norme EN 50260:

	HP96K	HP12K(D)	HP14K(D)
L_{pA} (pression acoustique) dB(A)	71	70	75
L_{WA} (puissance acoustique) dB(A)	84	83	86

	HP122K(D)	HP142K(D)
L_{pA} (pression acoustique) dB(A)	84	82
L_{WA} (puissance acoustique) dB(A)	97	94



Prendre les mesures nécessaires pour la protection de l'ouïe lorsque le niveau de pression acoustique est supérieur à 85 dB(A).

Niveau de vibration main/bras selon la norme EN 50260:

HP96K	HP12K(D)	HP14K(D)	HP122K(D)	HP142K(D)
< 2,5 m/s ²	< 2,5 m/s ²	< 2,5 m/s ²	6,8 m/s ²	6,0 m/s ²

Colin Willis

Director of Engineering
BCDI, 4/F, 2 Dai Wang Street
Tai Po Industrial Estate
Tai Po NT, Hong Kong

UTILISATION PREVUE

Votre perceuse / visseuse-dévisseuse Black & Decker HP96K/HP12K(D)/HP14K(D) a été conçue pour la pose de vis et pour le perçage du bois, du métal et des matières plastiques.

Votre perceuse / visseuse-dévisseuse Black & Decker HP122K(D)/HP142K(D) a été conçue pour la pose de vis et pour le perçage du bois, du métal, des matières plastiques et de la maçonnerie légère.

Cet outil a été conçu pour une utilisation exclusivement domestique.

Votre chargeur Black & Decker a été conçu pour le chargement de batteries Black & Decker identiques à celles fournies avec cet outil.

INSTRUCTIONS DE SECURITE

Symboles de prévention

Les symboles suivants sont utilisés dans le présent manuel:



Indique qu'en cas de non-respect des instructions du présent manuel, il y a risque de blessure, danger de mort ou risque de dégradation de l'outil.



Indique le risque de décharge électrique.



Lire le manuel avant d'utiliser l'outil.



Risque d'incendie.

Connaissez votre outil



- ◆ **Attention!** Lors de l'utilisation d'outils sans fil, observez les consignes de sécurité fondamentales, y compris celles qui suivent afin de réduire les risques d'incendie, de fuite de batteries, de blessures et de dommage matériel.
- ◆ Lisez et observez attentivement les instructions avant d'utiliser l'outil.
- ◆ Avant d'utiliser l'outil, assurez-vous de savoir comment mettre votre outil à l'arrêt en cas d'urgence.
- ◆ Conservez ces instructions.

Généralités

1. Tenez votre aire de travail propre et bien rangée

Le désordre augmente les risques d'accident.

2. Tenez compte des conditions ambiantes

N'exposez pas l'outil à la pluie. N'exposez pas l'outil à l'humidité. Veillez à ce que l'aire de travail soit bien éclairée. N'utilisez pas l'outil s'il existe un risque d'incendie ou d'explosion, par exemple en présence de liquides ou de gaz inflammables.

3. Tenez les enfants éloignés

Ne laissez pas les enfants, les visiteurs ou les animaux s'approcher de l'aire de travail ou toucher l'outil.

4. Portez des vêtements de travail appropriés

Ne pas porter de vêtements flottants ou de bijoux. Ils pourraient être happés par les pièces en mouvement. Lors de travaux à l'extérieur, il est recommandé de porter des gants en caoutchouc et des chaussures à semelle anti-dérapante. Le cas échéant, attachez vos cheveux s'ils sont longs, ou couvrez vous la tête.

5. Protection

Portez toujours des lunettes de protection.

Portez des lunettes de protection et un masque pour protéger le visage si le travail exécuté produit de la poussière ou des copeaux volants. Portez des protections auditives lorsque le niveau sonore semble gênant.

6. Adoptez une position confortable

Toujours tenir les deux pieds à terre et garder l'équilibre.

7. Faites preuve de vigilance

Observez votre travail. Faites preuve de bon sens. Ne pas employer l'outil en cas de fatigue.

8. Fixez bien la pièce à travailler

Pour plus de sécurité, fixez la pièce à travailler avec un dispositif de serrage ou un étoupe. Ainsi, vous aurez les deux mains libres pour manier l'outil.

9. Branchez le dispositif d'extraction de poussière.

Si vous disposez de systèmes pour brancher les dispositifs d'extraction et de ramassage de poussière, assurez-vous qu'ils sont bien branchés et qu'ils fonctionnent correctement.

10. Enlevez les clés et outils de réglage

Avant de mettre l'outil en marche, retirez les clés et outils de réglage.

11. Utilisez l'outil adéquatement

Le domaine d'utilisation de l'outil est décrit dans le présent manuel. Ne pas utiliser d'outils ou d'accessoires de trop faible puissance pour exécuter des travaux lourds. L'utilisation d'accessoires autres que ceux recommandés dans le présent manuel pourrait entraîner un risque de blessure. Ne forcez pas l'outil.

Attention! L'utilisation d'accessoires autres que ceux recommandés dans le présent manuel pourrait entraîner un risque de blessure.

12. Contrôlez les dommages éventuels de votre outil

Avant d'utiliser l'outil, vérifiez soigneusement qu'il n'est pas endommagé. Vérifiez l'alignement des pièces en mouvement, leur prise et toute rupture de pièces, tout dommage des protections et des interrupteurs et toute autre condition pouvant affecter le fonctionnement de l'outil. Veillez à ce que l'outil fonctionne correctement et qu'il exécute les tâches pour lesquelles il est prévu. N'utilisez pas l'outil si une pièce est défectueuse. Ne pas utiliser l'outil si l'interrupteur marche/arrêt ne fonctionne pas.

Faites réparer ou échangez toute pièce endommagée par un service de réparation agréé. Ne tentez jamais de le réparer vous-même.

13. Enlevez la batterie

Le cas échéant, enlevez la batterie lorsque l'outil n'est pas utilisé, avant de changer toute pièce de l'outil ou tout accessoire et avant de procéder à l'entretien.

14. Évitez tout démarrage involontaire

Ne portez pas l'outil avec un doigt sur l'interrupteur marche/arrêt. Veillez à ce que l'outil soit débranché lorsque vous y insérez la pile.

15. Ne tirez pas sur le câble d'alimentation

Ne portez jamais le chargeur par le câble et ne tirez pas sur celui-ci pour le débrancher de la prise. Préservez le câble de la chaleur, de l'huile et des arêtes tranchantes.

16. Rangez vos outils dans un endroit sûr

Rangez les outils, batteries et chargeurs non utilisés dans un endroit sec, élevé et fermé, hors de portée des enfants.

17. Entretenez vos outils avec soin

Maintenez vos outils affûtés et propres afin de travailler mieux et plus sûrement. Suivez les instructions d'entretien et de changement d'accessoires. Maintenez les poignées et les interrupteurs secs, propres et exempts d'huile et de graisse.

18. Réparations

Cet outil est conforme aux conditions de sécurité requises. Les réparations devront uniquement être effectuées par des personnes qualifiées utilisant des pièces de rechange d'origine ; en cas contraire, cela pourrait être très dangereux pour l'utilisateur.

Instructions de sécurité supplémentaires pour les batteries et chargeurs

Batteries

- ◆ Ne tentez jamais de l'ouvrir pour quelque raison que ce soit.
- ◆ Ne la mettez pas en contact avec de l'eau.
- ◆ Ne la stockez pas à un endroit où la température peut être supérieure à 40 °C.
- ◆ Chargez uniquement à température ambiante entre 4 °C et 40 °C.

- ◆ Chargez uniquement en utilisant le chargeur fourni avec l'outil (voir caractéristiques techniques).
- ◆ Avant le chargement, veillez à ce que la batterie soit sèche et propre.
- ◆ Utilisez uniquement le type de batterie approprié à l'outil (voir caractéristiques techniques).
- ◆ Lorsque vous jetez des batteries, suivez les instructions données à la section "Protection de l'environnement".
- ◆ Dans des conditions extrêmes, la batterie peut fuir. Si vous remarquez que la batterie a coulé, procédez comme suit:
 - Nettoyez soigneusement le liquide à l'aide d'un chiffon. Évitez le contact avec la peau.
 - En cas de contact avec la peau ou les yeux, suivez les instructions ci-dessous.



Le liquide de la batterie, une solution d'hydroxyde de potassium à 25-30%, est toxique. En cas de contact avec la peau, rincer abondamment à l'eau. Neutraliser avec un acide doux tel que du citron ou du vinaigre. En cas de contact avec les yeux, rincer abondamment à l'eau au moins pendant 10 minutes. Consulter un médecin.



Risque d'incendie! Éviter toute possibilité de court-circuit au niveau des contacts d'une batterie (exemple: porter des clés dans la même poche qu'une batterie).



Ne pas incinérer la batterie.



Ne pas charger une batterie endommagée.

Chargeurs

- ◆ Utilisez uniquement votre chargeur Black & Decker pour charger les batteries fournies avec votre outil ou de même type et modèle. D'autres batteries pourraient exploser et causer des dommages ou blessures.
- ◆ Ne tentez jamais de charger des batteries non-rechargeables.

- ◆ Remplacez immédiatement les fils électriques défectueux.
- ◆ Ne mettez pas le chargeur en contact avec de l'eau.
- ◆ N'ouvrez pas le chargeur.
- ◆ Ne testez pas le chargeur.



Conçu pour une utilisation à l'intérieur uniquement.

Instructions de sécurité supplémentaires pour perceuses / visseuses

- ◆ Avant de percer les murs, les planchers ou les plafonds, vérifiez l'emplacement des fils électriques et des tuyaux.
- ◆ Évitez de toucher l'extrémité d'un foret juste après avoir percer car il peut être chaud.

SECURITE ELECTRIQUE

Vérifiez si la tension du chargeur correspond à la tension secteur.



Ce chargeur à double isolation est conforme à la norme EN 60335; un branchement à la terre n'est donc pas nécessaire.

HP96K/HP12K(D)/HP14K(D)



Ne tentez jamais de remplacer le chargeur par une prise au secteur normale.

APERÇU (fig. A)

1. Interrupteur à variateur de vitesse (HP12K(D)/HP14K(D)/HP122K(D)/HP142K(D))
1. Interrupteur marche / arrêt à deux vitesses (HP96K)
2. Sélecteur de rotation droite / gauche
3. Sélecteur de mode / bague de réglage du couple
4. Mandrin
5. Sélecteur à deux vitesses (HP122K(D)/HP142K(D))
6. Voyant du niveau de charge de la batterie (HP96K/HP12K/HP14K/HP122K/HP142K)
7. Indicateur de perçage en ligne droite
8. Support de foret
9. Batterie
10. Bouton pour le retrait de la batterie

11. Chargeur (HP96K/HP12K(D)/HP14K(D))
12. Boîtier du chargeur (HP96K/HP12K(D)/HP14K(D))
13. Chargeur (HP122K(D)/HP142K(D))
14. Voyant de charge (HP122K(D)/HP142K(D))
15. Voyant de fin de charge (HP122K(D)/HP142K(D))

ASSEMBLAGE

Mise en place et retrait de la batterie (fig. B)

- ◆ Pour mettre la batterie en place (9), alignez-la avec le boîtier sur l'outil. Faites glisser la batterie dans le boîtier et poussez jusqu'à ce qu'elle se mette en place avec un bruit sec.
- ◆ Pour retirer la batterie, appuyez sur le bouton de déclenchement (10) tout en retirant la batterie du boîtier.

Installation et retrait d'un foret de perçage ou de vissage (fig. A et C)

Cet outil est équipé d'un mandrin sans clef pour vous permettre de changer les forets plus rapidement.

- ◆ Verrouillez l'outil en réglant le sélecteur de rotation droite / gauche (2) sur la position centrale (fig. A).
- ◆ Ouvrez le mandrin en faisant tourner la partie avant (16) d'une main tout en tenant la partie arrière (17) de l'autre main (fig. C).
- ◆ Insérez la tige du foret (18) dans le mandrin.
- ◆ Serrez fermement le mandrin en tournant la partie avant (16) avec une main tout en tenant la partie arrière (17) avec l'autre.

Cet outil est livré avec un double embout de vissage dans le support de foret (8) (fig. A).

- ◆ Pour retirer le double embout de vissage du support d'embout, soulevez l'embout de sa cavité.
- ◆ Pour remettre l'embout en place, poussez-le fermement dans le support.

HP12KD/HP14KD/HP122KD/HP142KD - Fixation du détecteur (fig. K)

L'outil dispose d'un lieu de montage où le détecteur (23) peut être placé lorsque vous ne l'utilisez pas.

- ◆ Accrochez l'outil au support (24) comme indiqué.

UTILISATION



Laissez l'outil fonctionner à sa propre vitesse. Ne le surchargez pas.

Chargement de la batterie

La batterie a besoin d'être chargée avant la première utilisation et à chaque fois qu'elle ne produit pas une puissance suffisante pour des travaux facilement effectués auparavant. Lorsque vous chargez la batterie pour la première fois ou suite à une inutilisation prolongée, le chargement ne se fera qu'à 80%.

Après plusieurs cycles de chargement et de déchargement, la batterie atteindra sa capacité totale. La batterie peut chauffer pendant le chargement ; cela est normal et n'indique pas de problème particulier.



Ne chargez pas la batterie à une température ambiante inférieure à 4 °C ou supérieure à 40 °C. Température de chargement recommandée : environ 24 °C.

HP96K/HP12K(D)/HP14K(D) (fig. D)

- ◆ Pour charger la batterie (9), retirez-la de l'outil.
- ◆ Glissez le boîtier du chargeur (12) sur la batterie tel que montré.
- ◆ Branchez le chargeur (11).

La batterie se réchauffe lors du chargement.

La batterie est complètement chargée après un délai d'environ 3 heures.

- ◆ Dégagez le boîtier du chargeur de la batterie.

HP122K(D)/HP142K(D) (fig. E)

- ◆ Pour charger la batterie (9), retirez-la de l'outil et insérez-la dans le chargeur (13). La batterie ne rentrera dans le chargeur que d'une seule façon. Ne forcez pas. Assurez-vous que la batterie est complètement enclenchée dans le chargeur.
- ◆ Branchez le chargeur.
- ◆ Vérifiez si le voyant rouge de charge (14) s'allume. Si le voyant vert indicateur de fin de charge (15) s'allume maintenant à sa place, la batterie est trop chaude et ne peut être chargée. Si c'était le cas, enlevez la batterie du chargeur, laissez-la refroidir pendant 1 heure environ et réinsérez-la.

Après environ 1 heure de charge, le voyant rouge de charge (14) s'éteindra et le voyant vert indicateur de fin de charge (15) s'allumera. La batterie est maintenant complètement chargée.

- ◆ Enlevez-la du chargeur.

HP96K/HP12K/HP14K/HP122K/HP142K - Vérification de l'état de la batterie (fig. F)

Cet outil est équipé d'un voyant de charge de batterie qui permet de vérifier l'état de la batterie.

- ◆ Appuyez sur le bouton et maintenez-le enfoncé (19).
- ◆ Vérifiez le nombre de points lumineux (20).

Charge de la batterie

1 point lumineux	basse
2 points lumineux	moyenne
3 points lumineux	haute

Sélection du sens de rotation (fig. G)

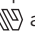
Pour le perçage et le serrage des vis, utilisez la rotation vers l'avant (dans le sens des aiguilles d'une montre). Pour desserrer les vis ou enlever un foret de perçage coincé, utilisez la rotation vers l'arrière (dans le sens inverse des aiguilles d'une montre).

- ◆ Pour sélectionner la rotation vers l'avant, poussez le sélecteur de rotation droite / gauche (2) vers la gauche.
- ◆ Pour sélectionner la rotation vers l'arrière, poussez le sélecteur de rotation droite / gauche vers la droite.
- ◆ Pour verrouiller l'outil, réglez le sélecteur de rotation droite / gauche sur la position centrale.

Sélection du mode de fonctionnement (fig. H)


Cet outil est muni d'une bague servant à régler le mode de fonctionnement et le couple de serrage des vis. Les grosses vis et les matières d'œuvre rigides nécessitent un couple de serrage plus grand que les petites vis et les matières d'œuvre peu rigides.

La bague possède une large gamme de réglages de manière à pouvoir répondre à vos besoins.

- ◆ Pour le perçage du bois, du métal et du plastique, placez la bague (3) sur la position de perçage en alignant le symbole  avec la marque (21).
- ◆ Pour le vissage, réglez la bague à la position désirée. Si vous ne connaissez pas encore le bon réglage, procédez comme suit :

- ◆ Placez la bague (3) au réglage de couple le plus bas.
- ◆ Serrez la première vis.
- ◆ Si l'embrayage fait "clac" avant d'avoir obtenu le résultat désiré, augmentez le réglage de la bague et continuez à serrer la vis. Répétez jusqu'à obtenir le bon réglage. Utilisez ce réglage pour les vis restantes.

HP122K(D)/HP142K(D) - Perçage de la maçonnerie (fig. H et I)

- ◆ Pour le perçage de la maçonnerie, réglez la bague (3) sur la position de perçage au marteau en alignant le symbole  avec la marque (21).
- ◆ Glissez le sélecteur à deux vitesses (5) vers l'avant de l'outil (deuxième vitesse).

HP122K(D)/HP142K(D) - Sélecteur à deux vitesses (fig. I)

- ◆ Pour le perçage de l'acier et la pose de vis, glissez le sélecteur à deux vitesses (5) vers l'arrière de l'outil (première vitesse).
- ◆ Pour le perçage de matières autres que l'acier, glissez le sélecteur à deux vitesses (5) vers l'avant de l'outil (deuxième vitesse).

Indicateur de perçage en ligne droite (fig. J)

Cet outil est équipé d'un indicateur pour faciliter le perçage en ligne droite. Cette fonction peut être utilisée à la fois pour les positions verticale et horizontale.

- ◆ Placez l'outil dans la position requise.
- ◆ Appuyez légèrement sur l'interrupteur (1) sans mettre l'outil en marche.
- ◆ Déplacez légèrement l'arrière de l'outil jusqu'à ce que le voyant rouge (22) s'allume.
- ◆ Appuyez plus à fond sur l'interrupteur pour commencer à percer.

HP12KD/HP14KD/HP122KD/HP142KD -

Détection de conduits et de fils (fig. K)

- ◆ Retirez le détecteur (23) de son support (24).
- ◆ Veuillez consulter le manuel du détecteur pour plus d'instructions.

Perçage / vissage (fig. A)

- ◆ Sélectionnez la rotation vers la droite ou la gauche à l'aide du sélecteur de rotation droite / gauche (2).
- ◆ Pour mettre l'outil en fonction, appuyez sur l'interrupteur de vitesse variable (1). La vitesse de l'outil dépend de la façon dont vous appuyez sur l'interrupteur.
- ◆ Relâchez l'interrupteur pour mettre l'outil hors fonction.

Conseils pour une utilisation optimale

Perçage

- ◆ Appliquez toujours une pression légère en ligne droite avec le foret de perçage.
- ◆ Juste avant que le foret de perçage ne passe de l'autre côté de la pièce, diminuez la pression sur l'outil.
- ◆ Utilisez un bloc de bois pour protéger les pièces pouvant se briser.
- ◆ Utilisez des mèches à bois lorsque vous percez des trous d'un large diamètre dans du bois.
- ◆ Utilisez des forets de perçage HSS lorsque vous percez du métal.
- ◆ Utilisez des forets de maçonnerie lorsque vous percez des pièces de maçonnerie légères.
- ◆ Utilisez un lubrifiant lorsque vous percez des métaux autres que de la fonte et du laiton.
- ◆ Faites une entaille à l'aide d'une contrepointe de centrage au centre du trou à percer afin d'améliorer la précision

Vissage

- ◆ Utilisez toujours le bon type et la bonne taille d'embout de tournevis.
- ◆ Si les vis sont difficiles à serrer, essayez d'appliquer un petit peu de liquide vaisselle ou de savon en tant que lubrifiant.
- ◆ Tenez toujours l'outil et l'embout de tournevis en ligne droite par rapport à la vis.

ENTRETIEN

Votre outil Black & Decker a été conçu pour fonctionner pendant longtemps avec un minimum d'entretien. Un fonctionnement continu satisfaisant dépend d'un nettoyage régulier et d'un entretien de l'outil approprié.

Votre chargeur ne nécessite aucun entretien autre qu'un nettoyage régulier.



- ◆ Avant de procéder à tout entretien de l'outil, retirez la batterie.
- ◆ Débranchez le chargeur avant de le nettoyer.
- ◆ Nettoyez régulièrement les orifices de ventilation de votre outil et le chargeur à l'aide d'une brosse douce ou d'un chiffon sec.
- ◆ Nettoyez régulièrement la carcasse du moteur à l'aide d'un chiffon mouillé. N'utilisez pas de produit abrasif ou à base de solvant.
- ◆ Ouvrez régulièrement le mandrin et tapotez dessus pour retirer toute poussière à l'intérieur.

PROTECTION DE L'ENVIRONNEMENT

Outils



Si vous décidez de remplacer votre outil, ou si vous n'en avez plus l'utilité, pensez à la protection de l'environnement avant de le jeter. Les services agréés Black & Decker reprennent tous les anciens outils Black & Decker et s'assurent qu'ils seront détruits en respectant l'environnement.

Caractéristiques techniques

		HP96K	HP12K(D)	HP14K(D)	HP122K(D)	HP142K(D)
Voltage	V_{DC}	9,6	12	14,4	12	14,4
Vitesse à vide	min^{-1}	350/700	0-750	0-750	0-400/0-1.200	0-400/0-1.200
Couple max.	Nm	10,5	11,8	12,9	23,5	26
Capacité mandrin	mm	10	10	10	10	10
Capacité de perçage max. dans l'acier / le bois / la maçonnerie	mm	10/20/-	10/25/-	10/30/-	10/25/12	10/30/12
Poids (sans batterie)	kg	1,0	1,0 (1,2)	1,3 (1,4)	1,0 (1,2)	1,3 (1,4)

Batterie		HP96K	HP12K(D)	HP14K(D)	HP122K(D)	HP142K(D)
Cat. no. batterie		A96	A12	499936-34	A12	499936-35
Voltage	V_{DC}	9,6	12	14,4	12	14,4
Ampérage	Ah	1,2	1,2	1,2	1,2	1,2
Poids	kg	0,56	0,52 (0,63)	0,76	0,52	0,63

Chargeur		HP96K	HP12K(D)	HP14K(D)	HP122K(D)	HP142K(D)
Tension secteur	V_{AC}	230	230	230	230	230
Temps de chargement approx.	h	3	3	3	1	1

Batteries



Les batteries Black & Decker peuvent être rechargées de nombreuses fois. A la fin de leur durée de vie, jetez les batteries en respectant l'environnement :

- ◆ Videz complètement la batterie, puis retirez-la de l'outil.
- ◆ Les batteries NiCd et NiMH sont recyclables. Apportez-les à votre distributeur ou à un centre de recyclage local. Les batteries récupérées seront recyclées ou jetées proprement.

Garantie

Black & Decker est confiant dans la qualité de ses produits et vous offre une garantie très étendue. Ce certificat de garantie est un document supplémentaire et ne peut en aucun cas se substituer à vos droits légaux. La garantie est valable sur tout le territoire des Etats Membres de l'Union Européenne et de la Zone de Libre Echange Européenne.

Si un produit Black & Decker s'avère défectueux en raison de matériaux en mauvaises conditions, d'une erreur humaine, ou d'un manque de conformité dans les 24 mois suivant la date d'achat, Black & Decker garantit le remplacement des pièces défectueuses, la réparation des produits usés ou cassés ou remplace ces produits à la convenance du client, sauf dans les circonstances suivantes :

- ◆ Le produit a été utilisé dans un but commercial, professionnel, ou a été loué.
- ◆ Le produit a été mal utilisé ou avec négligence.
- ◆ Le produit a subi des dommages à cause d'objets étrangers, de substances ou à cause d'accidents.
- ◆ Des réparations ont été tentées par des techniciens ne faisant pas partie du service technique de Black & Decker.

Pour avoir recours à la garantie, il est nécessaire de fournir une preuve d'achat au vendeur ou à un réparateur agréé. Pour connaître l'adresse du réparateur agréé le plus proche de chez vous, contactez le bureau Black & Decker à l'adresse indiquée dans ce manuel. Vous pourrez aussi trouver une liste des réparateurs agréés de Black & Decker et de plus amples détails sur notre service après-vente sur le site Internet à l'adresse suivante : **www.2helpU.com**.

TRAPANO/ AVVITATORE A BATTERIA HP96K/ HP12K(D)/HP14K(D)/HP122K(D)/HP142K(D)

CONGRATULAZIONI!

Lei ha scelto un utensile Black & Decker. Il nostro obiettivo è fornire utensili di qualità ad un prezzo contenuto. Desideriamo che questo utensile sia di suo gradimento e lo possa usare per molti anni.

DICHIARAZIONE CE DI CONFORMITÀ



HP96K/HP12K(D)/HP14K(D)/HP122K(D)/
HP142K(D)

Black & Decker dichiara che questi utensili sono stati costruiti in conformità a:
98/37/CEE, 89/336/CEE, 73/23/CEE,
EN 50260, EN 55014, EN 60335, EN 61000

Livello di rumorosità, dati ricavati in base alla norma EN 50260:

		HP96K	HP12K(D)	HP14K(D)
L_{pA} (rumorosità)	dB(A)	71	70	75
L_{WA} (potenza sonora)	dB(A)	84	83	86

		HP122K(D)	HP142K(D)
L_{pA} (rumorosità)	dB(A)	84	82
L_{WA} (potenza sonora)	dB(A)	97	94



Prendere appropriate misure a protezione dell'udito qualora il livello acustico superasse gli 85 dB(A).

Il valore medio quadratico ponderato dell'accelerazione secondo EN 50260:

HP96K	HP12K(D)	HP14K(D)	HP122K(D)	HP142K(D)
< 2,5 m/s ²	< 2,5 m/s ²	< 2,5 m/s ²	6,8 m/s ²	6,0 m/s ²

Colin Wills

Director of Engineering
BDCI, 4/F, 2 Dai Wang Street
Tai Po Industrial Estate
Tai Po NT, Hong Kong

USO PROGETTATO

Il trapano / avvitatore Black & Decker HP96K/HP12K(D)/HP14K(D) è stato progettato per inserire ed estrarre viti e forare legno, metalli e plastica. Il trapano / avvitatore Black & Decker HP122K(D)/HP142K(D) è stato progettato per inserire ed estrarre viti e forare legno, metalli, plastica e muratura.

L'utensile è stato progettato per un uso individuale.

Il vostro caricabatteria Black & Decker è stato progettato per caricare batterie Black and Decker del tipo fornito con questo utensile.

ISTRUZIONI DI SICUREZZA

Simboli di sicurezza

I seguenti simboli vengono usati nel presente manuale:



Indica rischio di infortunio, pericolo di morte o danno all'apparecchio qualora non ci si attenga alle istruzioni contenute nel presente manuale.



Indica pericolo di scossa elettrica.



Leggere attentamente il manuale prima di utilizzare l'utensile.



Pericolo d'incendio.

Conoscere l'utensile



- ◆ **Attenzione!** Quando si adoperano utensili a batteria, per ridurre il rischio di incendi, fuoriuscita di liquido dalle batterie, danni personali e materiali, è necessario osservare alcune precauzioni di sicurezza fondamentali, incluso le seguenti.
 - ◆ Prima di adoperare l'utensile, leggere attentamente le istruzioni di cui al presente manuale.
 - ◆ Prima di far funzionare l'utensile, assicuratevi di conoscere come spegnere l'utensile in caso di emergenza.
 - ◆ Conservare questo manuale di istruzioni per successive consultazioni.

Norme generali

1. Tenere pulita l'area di lavoro

Ambienti e banchi di lavoro in disordine possono essere causa d'incidenti.

2. Tener presenti le caratteristiche dell'ambiente di lavoro

Non lasciare l'utensile sotto la pioggia.

Non usare l'utensile in ambienti carichi di umidità. Tenere ben illuminata l'area di lavoro.

Non usare l'utensile quando vi sia rischio di provocare un incendio o una esplosione, per es. in luoghi con atmosfera gassosa o infiammabile.

3. Tenere i bambini lontani dall'area di lavoro

Non permettere ai bambini, ad altre persone o ad animali di avvicinarsi alla zona di lavoro o di toccare l'utensile.

4. Usare il vestiario appropriato

Evitare l'uso di abiti svolazzanti, catenine, ecc. in quanto potrebbero rimanere impigliati nelle parti mobili dell'utensile.

Lavorando all'aperto indossare guanti di gomma e scarpe con soles antiscivolo.

Raccogliere i capelli se si portano lunghi.

5. Protezione personale

Indossate occhiali di sicurezza. Indossate una mascherina contro la polvere ogni volta che l'uso dell'utensile provochi polvere o schegge. Indossate cuffie acustiche quando consideriate che il livello acustico sia troppo alto.

6. Non sbilanciarsi

Mantenere sempre un buon equilibrio evitando posizioni malsicure.

7. Stare sempre attenti

Prestare attenzione a quanto si sta facendo.

Usare il proprio buon senso. Non utilizzare l'utensile quando si è stanchi.

8. Bloccare il pezzo da lavorare

Usare pinze o morse per bloccare il pezzo da lavorare. Ciò aumenta la sicurezza e consente di mantenere entrambe le mani libere per operare meglio.

9. Connettere l'apparecchiatura aspirapolvere

Se sono forniti i dispositivi per la connessione delle macchine per l'aspirazione e la raccolta della polvere, verificare che vengano collegate e utilizzate correttamente.

10. Non lasciare sull'utensile chiavi o strumenti di misura

Prima di mettere in funzione l'utensile abbiate cura di togliere chiavi e altri strumenti.

11. Adoperare l'utensile adatto alla situazione

L'utilizzo previsto è quello indicato nel presente manuale. Non forzare utensili e accessori di potenza limitata impiegandoli per lavori destinati ad utensili di maggiore potenza. Non forzare l'utensile.

Attenzione! L'uso di accessori o attrezzature diversi o l'impiego del presente utensile per scopi diversi da quelli indicati nel presente manuale d'uso comportano il rischio di infortuni.

12. Controllare che non vi siano parti danneggiate

Prima dell'uso, controllare che l'utensile non presenti danni. Controllare se ci sono parti non allineate o parti mobili con gioco, pezzi rotti, danni alle protezioni o agli interruttori e qualsiasi altra condizione che possa incidere sul funzionamento dell'utensile. Accertare che l'utensile funzioni come previsto e che venga impiegato per lo scopo per cui è stato progettato. Non usate l'utensile se presenta elementi danneggiati o difettosi.

Non impiegare l'utensile se non è possibile accenderlo e spegnerlo mediante l'interruttore. Eventuali componenti difettosi o danneggiati vanno sostituiti o riparati da un tecnico autorizzato. Non tentare mai di effettuare delle riparazioni.

13. Estrarre la batteria

Togliere la batteria quando l'utensile non è in uso, o prima di cambiare pezzi, accessori o complementi o prima di eseguire lavori di manutenzione.

14. Evitate di avviare l'utensile quando non è necessario

Non portate l'utensile con il dito sull'interruttore. Assicuratevi che l'utensile sia spento quando inserite le batterie nell'utensile.

15. Non forzate il cavo di collegamento elettrico

Non usate il cavo elettrico del carica batterie per muoverlo e non tirate il cavo per scollegarlo dalla presa. Mantenete il cavo lontano da fonti di calore, olio e spigoli taglienti.

16. Conservazione dell'utensile dopo l'uso

Quando non è in uso, l'utensile, le batterie e i caricabatterie devono essere riposti in un luogo asciutto e fuori dalla portata dei bambini.

17. Mantenere l'utensile con cura

Mantenere gli utensili da taglio affilati e puliti in modo da ottenere una miglior e più sicura resa. Seguire le istruzioni di manutenzione e cambio di accessori. Mantenere le impugnature e gli interruttori asciutti, puliti e senza tracce di olio o grassi.

18. Riparazioni

Questo utensile è conforme ai relativi requisiti di sicurezza. Le riparazioni devono essere eseguite soltanto da personale qualificato e con pezzi di ricambio originali, per evitare di esporre gli utenti a considerevoli rischi.

Istruzioni di sicurezza aggiuntive per batterie e caricabatteria**Batterie**

- ◆ Non tentate di aprirle in nessuna circostanza.
- ◆ Non fatele bagnare.
- ◆ Non riponetele in luoghi dove la temperatura possa oltrepassare i 40° C.
- ◆ Caricatele solo ad una temperatura ambientale compresa tra i 4° C ed i 40° C.
- ◆ Caricate la batteria usando soltanto il caricabatteria fornito con l'utensile (vedete i dati tecnici).
- ◆ Prima di caricare la batteria assicuratevi che sia pulita ed asciutta.

- ◆ Usate soltanto il tipo adeguato di batteria per l'utensile (vedete i dati tecnici).
- ◆ Prima di gettare le batterie esaurite, vi preghiamo di leggere le istruzioni specificate nella sezione "Protezione dell'ambiente".
- ◆ In condizioni estreme, la batteria può perdere liquido. Nel caso doveste notare la presenza di liquido sulla batteria, procedere come di seguito specificato:
 - Asciugate il liquido con un panno. Evitate il contatto con la pelle.
 - In caso di contatto con la pelle o con gli occhi, seguite le istruzioni di seguito riportate.



Il liquido delle batterie, una soluzione al 25-30% di idrossido di potassio, può essere pericoloso. In caso di contatto con la pelle, lavare immediatamente con abbondante acqua, quindi neutralizzare l'azione con una soluzione leggermente acida come succo di limone o aceto.

In caso di contatto con gli occhi, risciacquare abbondantemente con acqua pulita per 10 minuti almeno. Rivolgersi a un medico.



Pericolo d'incendio! Evitare di mettere in cortocircuito i contatti della batteria rimossa con oggetti metallici (ad es. con un mazzo di chiavi tenute nello stesso scomparto insieme alla batteria).



Non incenerire la batteria.



Non caricate batterie danneggiate.

Caricabatteria

- ◆ Usate il vostro caricabatteria Black & Decker per caricare le batterie fornite con il vostro utensile. Altri tipi di batterie potrebbero esplodere, provocando danni personali e materiali.
- ◆ Non tentate mai di ricaricare una batteria non ricaricabile.
- ◆ Cambiate immediatamente i cavi difettosi.
- ◆ Fate attenzione a non bagnare il caricabatteria.
- ◆ Non aprite il caricabatteria.

- ◆ Non testare il caricabatteria.



Da usarsi soltanto in interni.

Istruzioni aggiuntive di sicurezza per trapani/avvitatori

- ◆ Prima di forare pareti, pavimenti, soffitti, verificate l'ubicazione di cavi elettrici e tubazioni.
- ◆ Evitate toccare la punta del trapano appena dopo aver forato, può essere molto calda.

SICUREZZA ELETTRICA

Assicurarsi che la tensione del caricabatteria corrisponda a quella erogata dalla rete.



Il caricabatteria è fornito di doppio isolamento, in ottemperanza alla norma EN 60335, per la quale non è richiesta la messa a terra.

HP96K/HP12K(D)/HP14K(D)



Non cercate di rimpiazzare il caricabatteria inserendo l'utensile in una presa di corrente.

L'INSIEME (fig. A)

1. Interruttore a velocità variabile (HP12K(D)/HP14K(D)/HP122K(D)/HP142K(D))
2. Interruttore on/off a due velocità (HP96K)
3. Selettore avanti/indietro
4. Selettore modo / anello di regolazione coppia di serraggio
5. Mandrino
6. Selettore a due scatti (HP122K(D)/HP142K(D))
7. Spia del caricabatteria (HP96K/HP12K/HP14K/HP122K/HP142K)
8. Spia di foratura dritta
9. Supporto lame
10. Batteria
11. Pulsante di sgancio per batteria
12. Caricabatteria (HP96K/HP12K(D)/HP14K(D))
13. Base del caricabatteria (HP96K/HP12K(D)/HP14K(D))
14. Caricabatteria (HP122K(D)/HP142K(D))
15. Indicatore di carica (HHP122K(D)/HP142K(D))
16. Indicatore fine carica (HP122K(D)/HP142K(D))

MONTAGGIO

Inserire e togliere la batteria (fig. B)

- ◆ Per inserire la batteria (9), allinearla alla base dell'utensile. Fare scivolare la batteria nella base fino a che non si inserisce a scatto.
- ◆ Per togliere la batteria, premere il pulsante di sgancio (10) e, contemporaneamente, estrarre la batteria dalla base.

Inserire e staccare una punta per il trapano o una lama per l'avvitatore (fig. A & C)

L'utensile è dotato di un mandrino senza chiave che permette di cambiare con facilità punte e lame.

- ◆ Bloccare l'utensile collocando il selettore avanti/indietro (2) nella posizione centrale (fig. A).
- ◆ Aprire il mandrino girando con una mano la parte anteriore (16) e sorreggendo con l'altra la parte posteriore (17) (fig. C).
- ◆ Inserire la punta o la lama (18) nel mandrino.
- ◆ Stringere con decisione il mandrino girando con una mano la parte anteriore (16) e sorreggendo con l'altra la parte posteriore (17).

Questo utensile viene fornito con un avvitatore a doppia lama inserito nel supporto lame (8) (fig. A).

- ◆ Per staccare la lama dell'avvitatore dal supporto lame sollevarla dall'apposita scanalatura.
- ◆ Per rimettere la lama dell'avvitatore nel supporto, premere con decisione la lama nel supporto.

HP12KD/HP14KD/HP122KD/HP142KD - Fissaggio del rilevatore (fig. K)

L'attrezzo prevede un'area di montaggio in cui conservare il rilevatore (23) quando non viene utilizzato.

- ◆ Appendere l'unità al portautensile (24) come illustrato.

IMPIEGO



- ◆ Lasciate che l'utensile lavori al proprio ritmo. Non sovraccaricarlo.

Carica della batteria

E' necessario caricare la batteria in precedenza del primo utilizzo e ogniqualvolta che non eroghi la sufficiente energia per eseguire un lavoro che prima veniva eseguito con facilità.

Quando si carica la batteria per la prima volta, o dopo un lungo periodo d'inattività, accetterà soltanto l'80% della sua capacità. Dopo diversi cicli di carica e scarica la batteria raggiunge la sua piena capacità. La batteria si può riscaldare durante il processo di carica; è normale e non è indicativo di nessun problema.



Non caricate la batteria con temperatura ambiente sotto i 4° C o sopra i 40° C.

La temperatura adeguata di carica è di circa 24° C.

HP96K/HP12K(D)/HP14K(D) (fig. D)

- ◆ Per caricare la batteria (9), rimuoverla dall'utensile.
 - ◆ Fare scivolare la base del caricabatteria (12) nella batteria, come illustrato.
 - ◆ Inserire la spina del caricabatteria (11).
- La batteria si scalda durante la carica. Dopo circa 3 ore la batteria sarà completamente carica.
- ◆ Togliere la base del caricabatteria dalla batteria.

HP122K(D)/HP142K(D) (fig. E)

- ◆ Per caricare la batteria (9), toglierla dall'utensile ed inserirla nel caricatore (13). La batteria s'inserisce in un solo verso nel caricatore. Assicuratevi che la batteria sia perfettamente inserita nel caricatore.
 - ◆ Inserite la spina del caricatore.
 - ◆ Verificare se la spia rossa della carica (14) si accende. Se invece si accende la spia verde di fine carica (15) la batteria è troppo calda e non può essere caricata. In questo caso, togliere la batteria dal caricabatteria, lasciarla raffreddare per circa 1 ora e poi reinserirla nel caricabatteria.
- Dopo circa 1 ora di carica, la spia rossa di carica (14) si spegnerà e si accenderà la spia verde di fine carica (15). La batteria è ora completamente carica.
- ◆ Togliere la batteria dal caricabatteria.

HP96K/HP12K/HP14K/HP122K/HP142K -

Controllare le condizioni della batteria (fig. F)

Questo utensile è dotato di un caricabatteria con spia che permette di controllare il livello di carica della batteria.

- ◆ Tenere premuto il pulsante (19).
- ◆ Controllare quante spie (20) sono accese:

Carica della batteria

1 spia	basso
2 spie	medio
3 spie	alto


Selezione del senso di rotazione (fig. G)

Per forare e avvitare selezionare il senso di rotazione in avanti (senso orario). Per svitare o per togliere una punta inceppata, selezionare il senso inverso (antiorario).


- ◆ Per selezionare la rotazione in avanti, spingere il selettore avanti/indietro (2) verso sinistra.
- ◆ Per selezionare la rotazione indietro, spingere il selettore avanti/indietro verso destra.
- ◆ Per bloccare l'utensile, collocare il selettore avanti/indietro nella posizione centrale.

Selezione del modo operativo o della coppia di serraggio (fig. H)

Questo utensile è dotato di un anello che permette di regolare la coppia di serraggio per inserire le viti. Viti grandi e materiali duri richiedono una coppia di serraggio più elevata rispetto a viti piccole e materiali morbidi. L'anello ha un'ampia gamma di impostazioni adatte ad ogni applicazione.

- ◆ Per forare legno, metallo e plastica, collocare l'anello (3) nella posizione di foratura allineando il simbolo  alla tacca (21).
- ◆ Per usare l'utensile come avvitatore, collocare l'anello sull'impostazione desiderata. Se non si è ancora praticati delle impostazioni adeguate, procedere come segue:
 - ◆ Collocare l'anello (3) sull'impostazione della coppia di serraggio più bassa.
 - ◆ Stringere la prima vite.
 - ◆ Se la frizione si arresta prima di aver ottenuto il risultato desiderato, aumentare l'impostazione dell'anello e continuare a stringere la vite. Ripetere l'operazione fino a raggiungere l'impostazione corretta. Applicare quest'impostazione per tutte le altre viti.

HP122K(D)/HP142K(D) - Foratura di murature (fig. H & I)

- ◆ Per forare muri, collocare l'anello (3) nella posizione di foratura allineando il simbolo  alla tacca (21).

- ◆ Fare slittare il selettore a due scatti (5) verso la parte anteriore dell'utensile (2° scatto).

HP122K(D)/HP142K(D) - Selettore a due scatti (fig. I)

- ◆ Per forare l'acciaio e per avvitare viti, fare slittare il selettore a due scatti (5) verso la parte posteriore dell'utensile (1° scatto).
- ◆ Per forare materiali diversi dall'acciaio fare slittare il selettore a due scatti (5) verso la parte anteriore dell'utensile (2° scatto).

Spia di foratura dritta (fig. J)

Questo utensile è dotato di una spia per agevolare la foratura dritta. Questa funzione si può usare sia in posizione orizzontale che in posizione verticale.

- ◆ Collocare l'utensile nella posizione desiderata.
- ◆ Tenere l'interruttore (1) leggermente premuto, senza accendere l'utensile.
- ◆ Spostare lentamente la parte posteriore dell'utensile fino a che la spia rossa (22) non si accende.
- ◆ Premere ulteriormente l'interruttore per iniziare la foratura.

HP12KD/HP14KD/HP122KD/HP142KD -

Individuazione di tubi o fili (fig. K)

- ◆ Estrarre il rilevatore (23) dalla custodia (24).
- ◆ Per ulteriori istruzioni consultare il manuale del rilevatore.

Forare/avvitare (fig. A)

- ◆ Selezionare il senso di rotazione usando il selettore avanti/indietro (2).
- ◆ Per accendere l'utensile, premere l'interruttore (1). La velocità dell'utensile dipenderà da quanto si preme l'interruttore.
- ◆ Per spegnere l'utensile, rilasciare l'interruttore.

Consigli per un'ottima utilizzazione

Forare

- ◆ Applicare sempre una leggera pressione in linea retta con la punta.
- ◆ Prima che la punta fuoriesca dall'altra parte del pezzo in lavorazione diminuire la pressione sull'utensile.

- ◆ Usare un blocco di legno per poggiare i pezzi in lavorazione che si possano scheggiare.
- ◆ Usare punte a pala per eseguire fori di diametro ampio su legno.
- ◆ Usare punte HSS per forare metalli.
- ◆ Usare punte per muratura per forare i muri.
- ◆ Usare un lubrificante per forare metalli diversi da ottone e ferro.
- ◆ Per aumentare l'accuratezza della foratura, fare una tacca con un punteruolo nel centro del punto da forare.

Avvitare

- ◆ Usare sempre il tipo e la misura esatta di lama per avvitatore.
- ◆ Se le viti sono difficili da stringere, provare ad applicare un piccola quantità di liquido detergente o sapone come lubrificante.
- ◆ Mantenere sempre lo strumento e la lama in linea retta rispetto alla vite.

MANUTENZIONE

Il vostro utensile Black & Decker è stato progettato per funzionare per un lungo periodo di tempo con il minimo di manutenzione. Il funzionamento continuo e soddisfacente dipende dall'adeguata cura dell'utensile e da pulizie sistematiche.

Il vostro caricabatterie non richiede di nessun tipo di manutenzione oltre la sua regolare pulizia.



- ◆ Prima di eseguire qualsiasi tipo di manutenzione dell'utensile, togliete le batterie dall'utensile.
- ◆ Scollegate il caricabatterie dalla presa elettrica prima di pulirlo.
- ◆ Pulite regolarmente con una spazzola morbida o un panno asciutto le feritoie di ventilazione del vostro utensile e del caricabatteria.
- ◆ Lo scomparto del motore va pulito regolarmente con un panno umido. Non usare materiali abrasivi o detergenti a base di solventi.
- ◆ Aprire regolarmente il mandrino e batterlo leggermente per togliere tutta la polvere dall'interno.

PROTEZIONE DELL'AMBIENTE

Utensili



Se dovete un giorno decidere di sostituire i vostri utensili in quanto non più necessari, ricordate di avere cura dell'ambiente che ci circonda. I centri di assistenza Black & Decker ritireranno i vostri vecchi utensili, smaltendoli in modo ecologico.

Batterie



Le batterie della Black & Decker si possono ricaricare più volte. Alla fine della loro vita tecnica, gettate le batterie negli appositi contenitori. Abbiate cura dell'ambiente:

- ◆ Esaurite completamente la carica della batteria, poi toglietela dall'utensile.
- ◆ Le batterie di NiCd e NiMH sono riciclabili. Portatele al vostro concessionario o all'impianto di riciclaggio. Le batterie raccolte verranno riciclate o adeguatamente distrutte.

Garanzia

Certa della qualità dei suoi prodotti, Black & Decker offre una garanzia eccezionale. Il presente certificato di garanzia è complementare ai diritti statuari e non li pregiudica in alcun modo. La garanzia è valida entro il territorio degli Stati membri dell'Unione Europea e dell'EFTA (European Free Trade Area).

Se un prodotto Black & Decker risulta difettoso per qualità del materiale, della costruzione o per mancata conformità entro 24 mesi dalla data di acquisto, Black & Decker garantisce la sostituzione delle parti difettose, provvede alla riparazione dei prodotti se ragionevolmente usurati oppure alla loro sostituzione, in modo da ridurre al minimo il disagio del cliente a meno che:

- ◆ Il prodotto non sia stato destinato ad usi commerciali, professionali o al noleggio;
- ◆ Il prodotto non sia stato usato in modo improprio o scorretto;
- ◆ Il prodotto non abbia subito danni causati da oggetti o sostanze estranee oppure incidenti;
- ◆ Il prodotto non abbia subito tentativi di riparazione non effettuati da tecnici autorizzati né dall'assistenza Black & Decker.

Dati tecnici

		HP96K	HP12K(D)	HP14K(D)	HP122K(D)	HP142K(D)
Tensione	V_{DC}	9,6	12	14,4	12	14,4
Velocità senza carico	min^{-1}	350/700	0-750	0-750	0-400/0-1.200	0-400/0-1.200
Coppia max. di serraggio	Nm	10,5	11,8	12,9	23,5	26
Capacità del mandrino	mm	10	10	10	10	10
Capacità max. di trapanatura						
acciaio/legno/muratura	mm	10/20/-	10/25/-	10/30/-	10/25/12	10/30/12
Peso (senza batteria)	kg	1,0	1,0 (1,2)	1,3 (1,4)	1,0 (1,2)	1,3 (1,4)

Batteria		HP96K	HP12K(D)	HP14K(D)	HP122K(D)	HP142K(D)
Cat. no. batteria		A96	A12	499936-34	A12	499936-35
Tensione	V_{DC}	9,6	12	14,4	12	14,4
Capacità	Ah	1,2	1,2	1,2	1,2	1,2
Peso	kg	0,56	0,52 (0,63)	0,76	0,52	0,63

Caricabatteria		HP96K	HP12K(D)	HP14K(D)	HP122K(D)	HP142K(D)
Tensione di rete	V_{AC}	230	230	230	230	230
Tempo approssimato di carica	h	3	3	3	1	1

ITALIANO

Per attivare la garanzia è necessario esibire la prova comprovante l'acquisto al venditore o al tecnico autorizzato. Per individuare il tecnico autorizzato più vicino, rivolgersi alla sede Black & Decker locale, presso il recapito indicato nel presente manuale. Altrimenti un elenco completo di tutti i tecnici autorizzati Black & Decker e i dettagli completi sui contatti e i servizi post-vendita sono disponibili su Internet presso: **www.2helpU.com**.

SNOERLOZE SCHROEF/BOORMACHINE HP96K/HP12K(D)/HP14K(D)/HP122K(D)/ HP142K(D)

GEFELICITEERD!

U heeft gekozen voor een machine van Black & Decker. Ons doel is om kwaliteitsproducten te leveren tegen een betaalbare prijs. Wij hopen dat u aan het gebruik van deze machine jarenlang plezier zult beleven.



Colin Wills
Director of Engineering
BDCI, 4/F, 2 Dai Wang Street
Tai Po Industrial Estate
Tai Po NT, Hong Kong

EG-VERKLARING VAN OVEREENSTEMMING

CE HP96K/HP12K(D)/HP14K(D)/HP122K(D)/HP142K(D)
Black & Decker verklaart dat deze elektrische machines in overeenstemming zijn met:
98/37/EEG, 89/336/EEG, 73/23/EEG, EN 50260, EN 55014, EN 60335, EN 61000

GEBRUIK VOLGENS BESTEMMING

Uw Black & Decker schroef/boormachine HP96K/HP12K(D)/HP14K(D) is bedoeld voor het in- en uitdraaien van schroeven en voor het boren in hout, metaal en kunststoffen.
Uw Black & Decker schroef/boormachine HP122K(D)/HP142K(D) is bedoeld voor het in- en uitdraaien van schroeven en voor het boren in hout, metaal, kunststoffen en zacht metselwerk.

Niveau van de geluidsdruk, gemeten volgens EN 50260:


		HP96K	HP12K(D)	HP14K(D)
L_{pA} (geluidsdruk)	dB(A)	71	70	75
L_{WA} (geluidsvermogen)	dB(A)	84	83	86

Deze machine is uitsluitend bedoeld voor consumentengebruik.

Uw Black & Decker oplader is ontworpen voor het opladen van Black & Decker accu's van het type dat bij deze machine wordt geleverd.

		HP122K(D)	HP142K(D)
L_{pA} (geluidsdruk)	dB(A)	84	82
L_{WA} (geluidsvermogen)	dB(A)	97	94

VEILIGHEIDSVOORSCHRIFTEN


 Neem de vereiste maatregelen voor gehoorbescherming wanneer de geluidsdruk het niveau van 85 dB(A) overschrijdt.

Pictogrammen

In deze handleiding worden de volgende pictogrammen gebruikt:

Gewogen kwadratische gemiddelde waarde van de versnelling overeenkomstig EN 50260:

HP96K	HP12K(D)	HP14K(D)	HP122K(D)	HP142K(D)
< 2,5 m/s ²	< 2,5 m/s ²	< 2,5 m/s ²	6,8 m/s ²	6,0 m/s ²

 Duidt op mogelijk lichamelijk letsel, levensgevaar of kans op beschadiging van de machine indien de instructies in deze handleiding worden genegeerd.

 Geeft elektrische spanning aan.



Lees de handleiding voordat u met de machine gaat werken.



Brandgevaar.

Ken uw machine



- ♦ **Waarschuwing!** Bij het gebruik van accugevoede machines dienen ter bescherming tegen brandgevaar, vrijkomen van accuvloeistof, letsel en materiële schade altijd gepaste veiligheidsmaatregelen in acht te worden genomen, waaronder de volgende veiligheidsvoorschriften.
 - ♦ Lees de gebruiksaanwijzing aandachtig door voordat u met de machine gaat werken.
 - ♦ Zorg ervoor dat u voor gebruik weet hoe u de machine in geval van nood uitschakelt.
 - ♦ Bewaar deze instructies zorgvuldig!

Algemeen

1. Zorg voor een opgeruimde werkomgeving

Een rommelige werkomgeving leidt tot ongelukken.

2. Houd rekening met omgevingsinvloeden

Stel de machine niet bloot aan regen.

Gebruik de machine niet in een vochtige of natte omgeving. Zorg dat de werkomgeving goed is verlicht. Gebruik de machine niet op plaatsen waar brand- of explosiegevaar bestaat, b.v. in de buurt van brandbare vloeistoffen of gassen.

3. Houd kinderen uit de buurt

Houd kinderen, bezoekers en dieren buiten het werkgebied en laat ze de machine niet aanraken.

4. Draag geschikte werkkleding

Draag geen wijde kleding of loshangende sieraden. Deze kunnen door de bewegende delen worden gegrepen. Draag bij het werken buitenshuis bij voorkeur rubber werkhandschoenen en schoenen met profielzolen. Houd lang haar bijeen.

5. Persoonlijke bescherming

Draag altijd een veiligheidsbril. Draag een gezichts- of stofmasker bij werkzaamheden waarbij stofdeeltjes of spanen vrijkomen. Draag altijd gehoorbescherming als het geluidsniveau onaangenaam hoog is.

6. Zorg voor een veilige houding

Zorg altijd voor een juiste, stabiele houding.

7. Blijf voortdurend opletten

Houd uw aandacht bij uw werk. Ga met verstand te werk. Gebruik de machine niet als u niet geconcentreerd bent.

8. Klem het werkstuk goed vast

Gebruik klemmen of een bankschroef om het werkstuk te fixeren. Dit is veiliger, bovendien kan de machine dan met beide handen worden bediend.

9. Sluit de uitrusting van de stofafvoer aan

Indien hulpmiddelen zijn meegeleverd voor de aansluiting van stofafvoer en voorzieningen voor stofopvang, zorg dan dat deze zijn aangesloten en naar behoren worden gebruikt.

10. Verwijder sleutels en hulpgereedschappen

Controleer vóór het inschakelen altijd of sleutels en andere hulpgereedschappen zijn verwijderd.

11. Gebruik de juiste machine

Het gebruik volgens bestemming is beschreven in deze handleiding. Gebruik geen te lichte machine of hulpstukken voor te zwaar werk. De machine werkt beter en veiliger indien u deze gebruikt voor het beoogde doel. Overbelast de machine niet.

Waarschuwing! Gebruik ter voorkoming van lichamelijk letsel uitsluitend de in deze gebruiksaanwijzing aanbevolen accessoires en hulpstukken. Gebruik de machine uitsluitend volgens bestemming.

12. Controleer de machine op beschadigingen

Controleer de machine voor gebruik op schade. Controleer of alle bewegende delen correct gemonteerd zijn, of er geen onderdelen gebroken zijn, of er geen beschermkappen en schakelaars beschadigd zijn en of er andere gebreken zijn die invloed op de werking van de machine zouden kunnen hebben. Vergewis u er van dat de machine correct werkt. Gebruik de machine niet als enig onderdeel defect is.

Gebruik de machine niet als de aan/uit-schakelaar niet werkt. Defecte onderdelen dienen door een erkend servicecentrum te worden gerepareerd of vervangen. Probeer nooit om de machine zelf te repareren.

13. Verwijder de accu

Neem de accu van de machine als u de machine niet gebruikt, voordat u gereedschappen, accessoires of onderdelen van de machine verwisselt en voordat u onderhoud aan de machine uitvoert.

14. Voorkom onbedoeld inschakelen

Draag de machine niet met uw vingers aan de aan/uit-schakelaar. Vergewis u er van dat de machine is uitgeschakeld als u de accu aanbrengt.

15. Misbruik het snoer niet

Draag de oplader nooit aan het snoer. Trek niet aan het snoer om de stekker uit het stopcontact te verwijderen. Houd het snoer uit de buurt van warmtebronnen, olie en scherpe randen.

16. Berg de machine veilig op

Berg de machine, oplader en accu na gebruik op in een droge ruimte, buiten het bereik van kinderen.

17. Onderhoud de machine met zorg

Houd snijgereedschappen scherp en schoon om beter en veiliger te kunnen werken. Houdt u aan de instructies met betrekking tot het onderhoud en het vervangen van accessoires. Houd de handgrepen en schakelaars droog en vrij van olie en vet.

18. Reparaties

Deze machine voldoet aan de geldende veiligheidseisen. Reparaties mogen uitsluitend worden uitgevoerd door bevoegde vakmensen en met behulp van originele reserveonderdelen; anders kan er een aanzienlijk gevaar voor de gebruiker ontstaan.

Aanvullende veiligheidsvoorschriften voor accu's en opladers

Accu's

- ◆ Probeer nooit een accu te openen.
- ◆ Stel accu's niet aan water bloot.
- ◆ Bewaar accu's niet op plaatsen waar de temperatuur 40 °C kan overschrijden.

- ◆ Laad accu's uitsluitend op bij een omgevingstemperatuur tussen 4 °C en 40 °C.
- ◆ Laad accu's uitsluitend op met behulp van de meegeleverde oplader (zie technische gegevens).
- ◆ Controleer voor het opladen of de accu droog en schoon is.
- ◆ Gebruik het juiste type accu voor de machine (zie technische gegevens).
- ◆ Volg bij het afdanken van accu's de instructies in de paragraaf "Milieu" op.
- ◆ Onder extreme gebruikscondities kan er vloeistof uit de accu vrijkomen. Als u vloeistof op de accu opmerkt, gaat u als volgt te werk:
 - Verwijder met behulp van een doekje voorzichtig de vloeistof van de accu. Vermijd huidcontact.
 - Als de vloeistof toch in aanraking komt met de huid of de ogen, volgt u de onderstaande instructies op.



De accuvloeistof bestaat uit een 25-30 % oplossing van kaliumhydroxide en kan gevaarlijk zijn. Indien accuvloeistof met de huid in aanraking is gekomen, spoel dan de huid onmiddellijk met water af. Neutraliseer de vloeistof met een zwak zuur zoals citroensap of azijn. Indien de accuvloeistof in de ogen is gekomen, spoel de ogen dan gedurende minimaal 10 minuten met schoon stromend water. Raadpleeg vervolgens een arts.



Voorkom kortsluiting tussen de contactpunten van een losse accu (bijv. door het bewaren van sleutels in dezelfde zak als de accu).



Verbrand de accu nooit.



Probeer nooit een beschadigde accu op te laden.

Opladers

- ◆ Gebruik uw Black & Decker oplader uitsluitend voor het opladen van accu's van het meegeleverde type. Andere accu's kunnen barsten, wat tot letsel en materiële schade kan leiden.
- ◆ Probeer nooit om niet oplaadbare batterijen op te laden.
- ◆ Laat een defect netsnoer onmiddellijk vervangen.
- ◆ Stel de oplader niet aan water bloot.
- ◆ Open de oplader niet.
- ◆ Steek geen voorwerpen in het inwendige van de oplader.



Uitsluitend voor gebruik binnenshuis.

Aanvullende veiligheidsinstructies voor schroef/boormachines

- ◆ Controleer voordat u gaat boren in muren, vloeren of plafonds de locatie van eventueel aanwezige gas-, water- en elektriciteitsleidingen.
- ◆ Vermijd aanraking met de punt van de boorvlak na het boren, omdat deze heet kan zijn.

ELEKTRISCHE VEILIGHEID

Controleer of de ingangsspanning van de oplader overeenkomt met de netspanning.



Uw oplader is dubbel geïsoleerd overeenkomstig EN 60335. Een aarddraad is daarom niet vereist.

HP96K/HP12K(D)/HP14K(D)



Vervang de oplader nooit door een netstekker.

OVERZICHT (fig. A)

1. Schakelaar voor elektronisch regelbaar toerental (HP12K(D)/HP14K(D)/HP122K(D)/HP142K(D))
2. Twee snelheden aan/uit-schakelaar (HP96K)
3. Links/rechts-schuif
4. Boorhouder
5. Twee versnellingen keuzeschakelaar (HP122K(D)/HP142K(D))

6. Indicatie voor accu opladen (HP96K/HP12K/HP14K/HP122K/HP142K)
7. Indicatie voor recht boren
8. Bithouder
9. Accu
10. Accu-ontgrendelingsknop
11. Oplader (HP96K/HP12K(D)/HP14K(D))
12. Opladerhouder (HP96K/HP12K(D)/HP14K(D))
13. Laat (HP122K(D)/HP142K(D))
14. Oplaatindicator (HP122K(D)/HP142K(D))
15. Indicator einde oplaadtijd (HP122K(D)/HP142K(D))

MONTAGE

Aanbrengen en verwijderen van de accu (fig. B)

- ◆ Om de accu (9) aan te brengen, houdt u hem voor de houder op de machine. Schuif de accu in de houder en duw deze aan totdat hij vastklikt.
- ◆ Om de accu te verwijderen, drukt u de ontgrendelingsknop (10) in trekt u tegelijk de accu uit de houder.

Aanbrengen en verwijderen van een boorbit of schroefbit (fig. A & C)

Deze machine is voorzien van een snelspanboorhouder voor het eenvoudig verwisselen van bits.

- ◆ Vergrendel de machine door de links/rechts-schuif (2) in de middenpositie te zetten (fig. A).
- ◆ Open de boorhouder door met één hand aan het voorste deel (16) te draaien en ondertussen met de andere hand het achterste deel (17) vast te houden (fig. C).
- ◆ Steek de schacht van de bit (18) in de boorhouder.
- ◆ Draai de boorhouder stevig vast door met één hand het voorste deel (16) te draaien en ondertussen met de andere hand het achterste deel (17) vast te houden.

Deze machine wordt geleverd met een dubbelzijdige schroevendraaierbit in de bithouder (8) (fig. A).

- ◆ Om de schroefbit uit de bithouder te verwijderen, licht u de bit uit de uitsparing.
- ◆ Om de schroefbit te bewaren, drukt u deze stevig in de houder.

HP12KD/HP14KD/HP122KD/HP142KD -

Bevestigen van de detector (fig. K)

De machine is voorzien van een montageplaats waar de detector (23) wordt opgeborgen als hij niet wordt gebruikt.

- ◆ Hang het apparaat aan de houder (24) op zoals afgebeeld.

■ GEBRUIK



Laat de machine op haar eigen tempo werken. Niet overbelasten.

Opladen van de accu

De accu moet worden opgeladen voor het eerste gebruik alsmede zodra hij niet meer genoeg energie levert voor werkzaamheden die eerder moeiteloos konden worden verricht. Als u de accu voor de eerste keer of na langdurige opslag oplaadt, zal deze slechts voor ca. 80% worden opgeladen. Na een aantal laad- en ontlad-cycli wordt de accu echter compleet opgeladen. Tijdens het opladen kan de accu warm aanvoelen. Dit is normaal en duidt niet op een defect.



Laad de accu niet op bij omgevingstemperaturen onder 4 °C of boven 40 °C.
Aanbevolen oplaadtemperatuur: ca. 24 °C.

HP96K/HP12K(D)/HP14K(D) (fig. D)

- ◆ Verwijder de accu (9) uit de machine om deze op te laden.
- ◆ Schuif de opladerhouder (12) op de accu zoals aangegeven.
- ◆ Steek de stekker van de oplader (11) in het stopcontact.

Tijdens het opladen wordt de accu warm.

Na ongeveer 3 uur laden is de accu volledig opgeladen.

- ◆ Verwijder de opladerhouder van de accu.

HP122K(D)/HP142K(D) (fig. E)

- ◆ Om de accu (9) op te laden, haalt u deze uit de machine en steekt hem in de oplader (13). De accu past slechts op één manier in de oplader. Niet forceren. Verzekert u ervan dat de accu volledig in de oplader is geplaatst.

- ◆ Steek de stekker van de oplader in het stopcontact.
- ◆ Controleer of de rode oplaadindicator (14) brandt. Als de groene indicator einde oplaadtijd (15) brandt, is de accu te heet en kan deze niet worden opgeladen. Indien dit gebeurt, haalt u de accu uit de oplader en laat hem ongeveer 1 uur afkoelen voordat u de accu terugplaatst.

Na ongeveer 1 uur opladen dooft de rode oplaadindicator (14) en gaat de groene indicator einde oplaadtijd (15) branden. De accu is nu volledig opgeladen.

- ◆ Verwijder de accu uit de oplader.

HP96K/HP12K/HP14K/HP122K/HP142K -

De staat van de accu controleren (fig. F)

Deze machine is voorzien van een accu-oplaadindicatie, waarmee u de staat van de accu kunt controleren.

- ◆ Druk de knop (19) in en houdt deze ingedrukt.
- ◆ Kijk hoeveel lampjes (20) er branden:

Acculading

- 1 lampje laag
- 2 lampjes half
- 3 lampjes vol

Selecteren van de draairichting (fig. G)


Kies voor boren en schroeven indraaien de draairichting rechtsom (met de klok mee).

Kies voor schroeven losdraaien of voor het verwijderen van een vastgelopen boorbit de draairichting linksom (tegen de klok in).


- ◆ Om de draairichting rechtsom te selecteren, drukt u de links/rechts-schuif (2) naar links.
- ◆ Om de draairichting linksom te selecteren, drukt u de links/rechts-schuif naar rechts.
- ◆ Om de machine te vergrendelen, zet u de links/rechts-schuif in de middenpositie.

Het koppel instellen (fig. H)

Deze machine is voorzien van een ring om het koppel in te stellen voor het vastdraaien van schroeven. Grote schroeven en werkstukken van harde materialen vereisen een hogere koppelinstelling dan kleine schroeven en werkstukken van zachte materialen. De ring biedt een groot aantal instellingen voor elke toepassing.

- ◆ Voor boren in hout, metaal en kunststoffen, zet u de ring (3) in de boorpositie door het symbool  op één lijn met de markering (21) te brengen.
- ◆ Voor schroevendraaien zet u de ring in de gewenste stand. Als u de geschikte stand nog niet kent, gaat u als volgt te werk:
 - ◆ Zet de ring (3) op de laagste koppelingstelling.
 - ◆ Draai de eerste schroef in.
 - ◆ Als de koppeling slijpt voordat het gewenste resultaat is bereikt, verhoogt u de koppelstand en vervolgt u het indraaien van de schroef. Herhaal totdat u de juiste stand bereikt. Gebruik deze stand voor de resterende schroeven.

HP122K(D)/HP142K(D) - Boren in metselwerk (fig. H & I)

- ◆ Voor boren in metselwerk zet u de kraag (3) in de klopperpositie door het symbool  op één lijn met de markering (21) te brengen.
- ◆ Schuif de twee versnellingen keuzeschakelaar (5) in de richting van de voorkant van de machine (tweede versnelling).

HP122K(D)/HP142K(D) - Twee versnellingen keuzeschakelaar (fig. I)

- ◆ Schuif voor boren in staal en voor schroevendraaiertoepassingen de twee versnellingen keuzeschakelaar (5) in de richting van de achterkant van de machine (eerste versnelling).
- ◆ Schuif voor boren in andere materialen dan staal de twee versnellingen keuzeschakelaar (5) in de richting van de voorkant van de machine (tweede versnelling).

Indicatie voor recht boren (fig. J)

Deze machine is uitgerust met een indicatie om recht boren te vergemakkelijken. Deze mogelijkheid kan zowel in een horizontale als in een verticale positie worden toegepast.

- ◆ Plaats de machine zoals vereist.
- ◆ Houd de schakelaar (1) een klein stukje ingedrukt zonder de machine in te schakelen.
- ◆ Beweeg langzaam de achterkant van de machine tot het rode indicatielampje (22) gaat branden.
- ◆ Druk de schakelaar verder in om te beginnen met boren.

HP12KD/HP14KD/HP122KD/HP142KD - Localiseren van leidingen of bedrading (fig. K)

- ◆ Neem de detector (23) uit de houder (24).
- ◆ Zie de handleiding van de detector voor verdere instructies.

Boren/schroeven draaien (fig. A)

- ◆ Selecteer de draairichting links- of rechtsom met behulp van de links/rechts-schuif (2).
- ◆ Om de machine in te schakelen, drukt u de schakelaar (1) in. De machinesnelheid hangt af van hoever u de schakelaar indrukt.
- ◆ Om de machine uit te schakelen, laat u de schakelaar los.

Tips voor optimaal gebruik

Boren

- ◆ Voer altijd lichte druk uit in een rechte lijn met de boorbit.
- ◆ Verminder de druk op de machine net voordat de boorpunt door de andere kant van het werkstuk heengaat.
- ◆ Gebruik een blok hout om werkstukken die kunnen versplinteren te beschermen.
- ◆ Gebruik houtboren voor het boren van grote gaten in hout.
- ◆ Gebruik HSS-boren voor het boren in metaal.
- ◆ Gebruik steenboren voor het boren in zacht metselwerk.
- ◆ Gebruik een smeermiddel voor boren in andere metalen dan gietijzer en koper.
- ◆ Maak een inkerving met behulp van een puntslag in het midden van het te boren gat om de nauwkeurigheid te vergroten.

Schroevendraaien

- ◆ Gebruik altijd het juiste type en de juiste maat schroefbit.
- ◆ Als schroeven moeilijk in te draaien zijn, gebruik dan een beetje vloeibaar wasmiddel of zeep als smeermiddel.
- ◆ Houd de machine en schroefbit altijd in een rechte lijn met de schroef.

ONDERHOUD

Uw Black & Decker machine is ontworpen om gedurende langere periode te functioneren met een minimum aan onderhoud.

Voortdurend tevreden gebruik is afhankelijk van correct onderhoud en regelmatig schoonmaken. Uw oplader heeft geen ander onderhoud dan een regelmatige reiniging.



- ◆ Verwijder de accu van de machine alvorens onderhoudswerkzaamheden uit te voeren.
- ◆ Koppel voor het reinigen van de oplader de netstekker los van het lichtnet.
- ◆ Reinig regelmatig de ventilatieopeningen van de machine en oplader met behulp van een zachte borstel of een droge doek.
- ◆ Reinig regelmatig de behuizing van de motor met een vochtige doek. Gebruik geen schuur- of oplosmiddel.
- ◆ Open regelmatig de boorhouder en tik zachtjes om eventueel stof uit de binnenkant te verwijderen.

MILIEU

Machine



Wanneer uw oude Black & Decker machine aan vervanging toe is, breng deze dan naar een Black & Decker service-center voor milieuvriendelijke verwerking.

Accu's



Black & Decker accu's kunnen vele malen opnieuw worden opgeladen. Versleten accu's dienen op milieubewuste wijze te worden verwijderd:

- ◆ Gebruik de energie van de accu helemaal op en verwijder hem dan van de machine.
- ◆ NiCd- en NiMH-accu's zijn recycleerbaar. Breng ze naar uw handelaar of naar een plaatselijk verwerkingscentrum voor klein chemisch afval. De ingezamelde accu's worden dan op milieuvriendelijke wijze gerecycleerd of verwijderd.

Technische gegevens

		HP96K	HP12K(D)	HP14K(D)	HP122K(D)	HP142K(D)
Spanning	V_{DC}	9,6	12	14,4	12	14,4
Onbelast toerental	min^{-1}	350/700	0-750	0-750	0-400/0-1.200	0-400/0-1.200
Max. koppel	Nm	10,5	11,8	12,9	23,5	26
Boorhoudercapaciteit	mm	10	10	10	10	10
Max. boorcapaciteit in staal/ hout/metselwerk	mm	10/20/-	10/25/-	10/30/-	10/25/12	10/30/12
Gewicht (zonder accu)	kg	1,0	1,0 (1,2)	1,3 (1,4)	1,0 (1,2)	1,3 (1,4)

Accu		HP96K	HP12K(D)	HP14K(D)	HP122K(D)	HP142K(D)
Cat. nr. accu		A96	A12	499936-34	A12	499936-35
Spanning	V_{DC}	9,6	12	14,4	12	14,4
Capaciteit	Ah	1,2	1,2	1,2	1,2	1,2
Gewicht	kg	0,56	0,52 (0,63)	0,76	0,52	0,63

Oplader		HP96K	HP12K(D)	HP14K(D)	HP122K(D)	HP142K(D)
Netspanning	V_{AC}	230	230	230	230	230
Gemiddelde oplaadtijd	h	3	3	3	1	1

Garantie

Black & Decker heeft vertrouwen in zijn producten en biedt een uitstekende garantie.

Deze garantiebepalingen vormen een aanvulling op uw wettelijke rechten en beperken deze niet. De garantie geldt in de lidstaten van de Europese Unie en de Europese Vrijhandelsassociatie.

Mocht uw Black & Decker product binnen 24 maanden na datum van aankoop defect raken tengevolge van materiaal- of constructiefouten, dan garanderen wij de kosteloze vervanging van defecte onderdelen, de reparatie van het product of de vervanging van het product, tenzij:

- ◆ Het product is gebruikt voor handelsdoeleinden, professionele toepassingen of verhuurdoeleinden;
- ◆ Het product onoordeelkundig is gebruikt;
- ◆ Het product is beschadigd door invloeden van buitenaf of door een ongeval;
- ◆ Reparaties zijn uitgevoerd door anderen dan onze servicecentra of Black & Decker personeel.

Om een beroep op de garantie te doen, dient u een aankoopbewijs te overhandigen aan de verkoper of een van onze servicecentra. U kunt het adres van het dichtstbijzijnde servicecentrum opvragen via de adressen op de achterzijde van deze handleiding. U kunt ook een lijst van onze servicecentra en meer informatie m.b.t. onze klantenservice vinden op het volgende Internet-adres: **www.2helpU.com**.

TALADRO / ATORNILLADOR SIN CABLE HP96K/HP12K(D)/HP14K(D)/HP122K(D)/ HP142K(D)

¡ENHORABUENA!

Ha escogido una herramienta Black & Decker. Nuestro objetivo es ofrecerle herramientas de calidad a un precio asequible y estamos seguros que podrá disfrutar de esta herramienta durante muchos años.



Colin Will
Director of Engineering
BDCI, 4/F, 2 Dai Wang Street
Tai Po Industrial Estate
Tai Po NT, Hong Kong

DECLARACIÓN CE DE CONFORMIDAD



HP96K/HP12K(D)/HP14K(D)/HP122K(D)/
HP142K(D)

Black & Decker certifica que estas herramientas eléctricas han sido construidas de acuerdo a las normas siguientes: 98/37/CEE, 89/336/CEE, 73/23/CEE, EN 50260, EN 55014, EN 60335, EN 61000

FINALIDAD

El taladro/atornillador HP96K/HP12K(D)/HP14K(D) de Black & Decker ha sido diseñado para atornillar y taladrar madera, metal y plásticos. El taladro/atornillador HP122K(D)/HP142K(D) de Black & Decker ha sido diseñado para atornillar y taladrar madera, metal, plásticos y mampostería.

El nivel de la presión acústica, medida de acuerdo con EN 50260:

	HP96K	HP12K(D)	HP14K(D)
L_{pA} (presión acústica) dB(A)	71	70	75
L_{WA} (potencia acústica) dB(A)	84	83	86

Esta herramienta está pensada únicamente para consumo doméstico.

Su cargador Black & Decker está diseñado para cargar baterías Black & Decker del tipo suministrado con la herramienta.

	HP122K(D)	HP142K(D)
L_{pA} (presión acústica) dB(A)	84	82
L_{WA} (potencia acústica) dB(A)	97	94

INSTRUCCIONES DE SEGURIDAD

Pictogramas

En el presente manual figuran los pictogramas siguientes:



Tome medidas adecuadas para proteger sus oídos cuando la presión acústica exceda el valor de 85 dB(A).



Indica peligro de lesiones, de accidentes mortales o de averías en la herramienta en caso de no respeto de las instrucciones en este manual.

Valor cuadrático medio ponderado en frecuencia de la aceleración según EN 50260:

HP96K	HP12K(D)	HP14K(D)	HP122K(D)	HP142K(D)
< 2,5 m/s ²	< 2,5 m/s ²	< 2,5 m/s ²	6,8 m/s ²	6,0 m/s ²



Indica tensión eléctrica.



Lea el manual antes de utilizar la herramienta.



Peligro de incendio.

Conozca su herramienta



- ◆ **¡Atención!** Cuando use herramientas alimentadas por batería, debe adoptar siempre las precauciones de seguridad básicas, incluidas las siguientes, a fin de reducir el riesgo de incendio, pérdida del líquido de las baterías, lesiones personales y daños materiales.
- ◆ Lea completamente este manual antes de utilizar la herramienta.
- ◆ Antes de poner en marcha la herramienta, compruebe que sabe cómo desconectarla en caso de emergencia.
- ◆ Mantenga a mano este manual para consultas posteriores.

Generalidades

- 1. Mantenga limpia el área de trabajo**
Un área o un banco de trabajo en desorden aumentan el riesgo de accidentes.
- 2. Tenga en cuenta el entorno del área de trabajo**
No exponga herramientas a la humedad. Procure que el área de trabajo esté bien iluminada. No utilice la herramienta donde exista riesgo de incendio o explosión, p. ej. en la proximidad de líquidos o gases inflamables.
- 3. ¡Mantenga alejados a los niños!**
No permita que niños, otras personas o animales se acerquen al área de trabajo o toquen la herramienta.
- 4. Vista ropa de trabajo apropiada**
No lleve vestidos anchos ni joyas. Estos podrían ser atrapados por piezas en movimiento. Para trabajos en el exterior, se recomienda llevar guantes de goma y calzado de suela antideslizante. Si tiene el pelo largo, téngalo recogido y cubierto.
- 5. Protección personal**
Lleve gafas de protección. Utilice una mascarilla si el trabajo ejecutado produce polvo u otras partículas volantes. Lleve protectores para los oídos cuando el ruido pueda resultar molesto.

- 6. No alargue demasiado su radio de acción**
Mantenga un apoyo firme sobre el suelo y conserve el equilibrio en todo momento.
- 7. Esté siempre alerta**
Mire lo que está haciendo. Use el sentido común. No maneje la herramienta cuando esté cansado.
- 8. Sujete bien la pieza de trabajo**
Utilice abrazaderas o un torno para sujetar la pieza de trabajo. Es más seguro que sujetarla con la mano y le permite utilizar ambas manos para manejar la herramienta.
- 9. Conecte los accesorios para la extracción de polvo.**
Si se suministran adaptadores para la conexión de accesorios extractores y para el almacenamiento del polvo, asegúrese de que se conectan y utilizan adecuadamente.
- 10. Retire las llaves de maniobra**
Antes de poner la herramienta en marcha, asegúrese de que las llaves y utensilios de reglaje hayan sido retirados.
- 11. Utilice la herramienta adecuada**
En este manual se explica para qué uso está destinada la herramienta. No utilice herramientas o dispositivos acoplables de potencia demasiado débil para ejecutar trabajos pesados. La herramienta funcionará mejor y con mayor seguridad al ser utilizada de acuerdo con sus características técnicas. No fuerce la herramienta.
¡Atención! El uso de otros accesorios, adaptadores, o la propia utilización de la herramienta en cualquier forma diferente de las recomendadas en este manual de instrucciones puede constituir un riesgo de lesiones a las personas.
- 12. Compruebe que no haya piezas averiadas**
Antes de usarla, compruebe cuidadosamente que la herramienta no esté estropeada. Compruebe la posible existencia de piezas móviles mal alineadas o atascadas, la rotura de piezas, el posible daño de protectores e interruptores y cualquier otro aspecto que pueda afectar al funcionamiento de la herramienta. Asegúrese de que la herramienta puede funcionar adecuadamente y cumplir con el cometido para el que ha sido diseñada.

No use la herramienta si hay alguna pieza defectuosa o averiada. No utilice la herramienta si no es posible apagar y encender el interruptor. Encargue al servicio técnico autorizado que repare o sustituya las piezas defectuosas o averiadas. Jamás intente repararla usted mismo.

13. Extracción de la batería

Extraiga la batería cuando no esté usando la herramienta, antes de sustituir piezas, accesorios o acoplamientos, y antes de efectuar revisiones.

14. Evite un arranque involuntario

Procure no tocar el conmutador de encendido/apagado mientras transporta la herramienta. Compruebe que la herramienta está desconectada antes de proceder a colocar la batería en la herramienta.

15. Cuide el cable de alimentación

No lleve la herramienta por el cable, ni tire del cable para desenchufar la herramienta. Proteja el cable del calor, del aceite y de las aristas vivas.

16. Guarde las herramientas que no utiliza

Las herramientas, cargadores y baterías que no se utilizan, deben estar protecci6ndos en un lugar seco y cerrado o elevado, fuera del alcance de los niños.

17. Mantenga las herramientas asiduamente

Mantenga sus herramientas afiladas y limpias para trabajar mejor y más seguro. Siga las instrucciones para el mantenimiento y la sustituci6n de accesorios. Mantenga los mandos y conmutadores secos, limpios y libres de aceite y grasa.

18. Reparaciones

Esta herramienta cumple las normas de seguridad aplicables. Las reparaciones deben llevarse a cabo por personal cualificado, usando piezas de recambio originales; en caso contrario, podría ocasionarse un considerable riesgo para el usuario.

Instrucciones de seguridad adicionales para baterías y cargadores

Baterías

- ◆ Nunca intente abrirlas por ningún motivo.
- ◆ No las esponga al agua.

- ◆ No las almacene en lugares donde la temperatura pueda exceder los 40 °C.
- ◆ Cargue las baterías únicamente a temperaturas entre 4 °C y 40 °C.
- ◆ Use únicamente el cargador suministrado para cargar la herramienta (consulte las características técnicas).
- ◆ Antes de cargarla, compruebe que la batería está seca y limpia.
- ◆ Use el tipo de batería correcto para la herramienta (consulte las características técnicas).
- ◆ Cuando deseche las baterías, siga las instrucciones reseñadas en la sección "Medio ambiente".
- ◆ Bajo condiciones extremas, la batería podría perder líquido. Si observa que la batería ha perdido líquido, proceda del modo siguiente:
 - Limpie cuidadosamente el líquido con un paño. Evite el contacto con la piel.
 - En caso de producirse contacto con la piel o los ojos, siga estas instrucciones.



El líquido una solución de un 25-30% de hidróxido de potasio, puede resultar nocivo. En caso de que entre en contacto con la piel, lávese inmediatamente con agua. Neutralícelo con un ácido suave como zumo de limón o vinagre. En caso de que entre en contacto con los ojos, láveselos con agua limpia abundante durante al menos 10 minutos. Consulte a un médico.



¡Peligro de incendio! Evite que se produzcan cortocircuitos metálicos en los contactos de una batería suelta (por ejemplo, no lleve llaves en el mismo bolsillo que una batería).



No arroje la batería al fuego.



No cargar baterías en mal estado.

Cargadores

- ◆ Use el cargador Black & Decker únicamente para cargar baterías del tipo suministrado. Otras baterías podrían estallar, causando daños y lesiones personales.
- ◆ No intente nunca cargar baterías no-recargables.
- ◆ Sustituye inmediatamente los cables defectuosos.
- ◆ No exponga el cargador al agua.
- ◆ No abra el cargador.
- ◆ No manipule el cargador.



Para uso exclusivo en interiores.

Instrucciones de seguridad adicionales para taladros/destornilladores

- ◆ Antes de taladrar paredes, suelos o techos, compruebe la ubicación de cableados y tuberías.
- ◆ Evite tocar la punta de la broca inmediatamente después de taladrar, ya que estará caliente.

SEGURIDAD ELÉCTRICA

El cargador ha sido diseñado para un solo voltaje. Compruebe siempre que el voltaje de la red corresponde al valor indicado en la placa de características.



Su cargador tiene doble aislamiento, conforme a la norma EN 60335; por consiguiente, no se requiere conexión a tierra.

HP96K/HP12K(D)/HP14K(D)



No intente nunca sustituir el cargador por un enchufe normal a la red.

VISTA GENERAL (fig. A)

1. Conmutador de velocidad variable (HP12K(D)/HP14K(D)/HP122K(D)/HP142K(D))
1. Interruptor on (encendido) / off (apagado) de dos velocidades (HP96K)
2. Guía de deslizamiento hacia adelante/atrás
3. Selector de modo/collarín de ajuste del par de torsión
4. Portabrocas
5. Selector de dos marchas (HP122K(D)/HP142K(D))

6. Indicador de carga de batería (HP96K/HP12K/HP14K/HP122K/HP142K)
7. Indicador de taladro continuo
8. Mango de la broca
9. Batería
10. Botón liberador de batería
11. Cargador (HP96K/HP12K(D)/HP14K(D))
12. Receptáculo del cargador (HP96K/HP12K(D)/HP14K(D))
13. Cargador (HP122K(D)/HP142K(D))
14. Indicador de carga (HP122K(D)/HP142K(D))
15. Indicador de carga completada (HP122K(D)/HP142K(D))

MONTAJE

Colocación y retirada de la batería (fig. B)

- ◆ Para introducir la batería (9), colóquela en línea con el receptáculo de la herramienta. Deslice la batería en el receptáculo y empújela hasta que encaje en su sitio.
- ◆ Para retirar la batería, presione el botón de liberación (10) simultáneamente mientras extrae la batería del receptáculo.

Colocación y extracción de una broca o un destornillador de berbiquí (fig. A & C)

Esta herramienta lleva un portabrocas sin llave para facilitar el intercambio de brocas.

- ◆ Bloquee la herramienta colocando la guía de deslizamiento hacia adelante/atrás (2) en la posición central (fig. A).
- ◆ Abra el portabrocas girando la pieza delantera (16) con una mano mientras sujeta la pieza posterior (17) con la otra (fig. C).
- ◆ Inserte el eje de la broca (18) en el portabrocas.
- ◆ Apriete firmemente el portabrocas girando la pieza delantera (16) con una mano mientras sujeta la pieza posterior (17) con la otra.

Esta herramienta se suministra con un destornillador de berbiquí de dos bocas dentro del mango (8) (fig. A).

- ◆ Para extraer el destornillador de berbiquí del mango, levante el berbiquí de la cavidad.
- ◆ Para colocar el destornillador de berbiquí, empújelo firmemente dentro del mango.

HP12KD/HP14KD/HP122KD/HP142KD -

Instalación del detector (fig. K)

La herramienta proporciona un lugar de montaje donde guardar el detector (23) cuando no se está utilizando.

- ◆ Cuelgue la unidad en el soporte (24) tal como muestra la figura.

USO



- ◆ Deje que la herramienta funcione a su ritmo. No la sobrecargue.

Carga de la batería

La batería debe cargarse antes de usarla por primera vez y siempre que no obtenga la suficiente potencia en trabajos que antes efectuaba con facilidad. Cuando cargue la batería por primera vez, o después de un prolongado almacenaje, sólo obtendrá una carga del 80%. Después de varios ciclos de carga y descarga, la batería alcanzará su capacidad máxima. Durante la carga, la batería podría calentarse; esto es normal y no indica ningún problema.



No cargue la batería a una temperatura ambiente inferior a 4 °C o superior a 40 °C. Temperatura recomendada de carga: aprox. 24 °C.

HP96K/HP12K(D)/HP14K(D) (fig. D)

- ◆ Para cargar la batería (9), retirela de la herramienta:
- ◆ Deslice el receptáculo del cargador (12) sobre la batería tal y como se muestra.
- ◆ Enchufe el cargador. (11).

La batería se calienta mientras se está cargando.

Después de aproximadamente tres horas de carga, la batería estará totalmente cargada.

- ◆ Extraiga el receptáculo del cargador de la batería.

HP122K(D)/HP142K(D) (fig. E)

- ◆ Para cargar la batería (9), extráigala de la herramienta e insértela en el cargador (13). La batería encajará en el cargador sólo en un sentido. No la fuerce. Compruebe que la batería está totalmente insertada en el cargador.

- ◆ Enchufe el cargador.
- ◆ Compruebe que el indicador rojo de carga (14) está encendido. Si en su lugar se enciende el indicador verde de carga (15), entonces la batería está demasiado caliente y no puede cargarse. Si ocurre esto, extraiga la batería del cargador, deje que se enfríe durante 1 hora aproximadamente y vuelva a insertarla.

Después de 1 hora aproximada de carga, el indicador rojo (14) se apagará y se encenderá el indicador verde (15). Entonces la batería estará totalmente cargada.

- ◆ Extraiga la batería del cargador.

HP96K/HP12K/HP14K/HP122K/HP142K -

Comprobación del estado de la batería (fig. F)

Esta herramienta lleva un indicador de carga de batería que le permite comprobar el estado de la misma.

- ◆ Pulse el botón (19) y manténgalo presionado.
- ◆ Observe cuántas luces (20) están encendidas.

Carga de la batería

1 luz	baja
2 luces	media
3 luces	alta

Selección de la dirección de rotación (fig. G)

Para taladrar y apretar tornillos, use la rotación hacia adelante(en el sentido de las agujas del reloj). Para aflojar tornillos o para extraer una broca atascada, use la rotación inversa (en sentido contrario a las agujas del reloj).


- ◆ Para seleccionar la rotación hacia adelante, empuje la guía de deslizamiento hacia adelante/atrás (2) hacia la izquierda.
- ◆ Para seleccionar la rotación inversa, empuje la guía de deslizamiento hacia adelante/atrás hacia la derecha.
- ◆ Para bloquear la herramienta, coloque la guía de deslizamiento hacia adelante/atrás en la posición central.

Selección del modo de funcionamiento o del par de torsión (fig. H)


Esta herramienta lleva acoplado un collarín para seleccionar el modo de funcionamiento o para ajustar el par de apriete de los tornillos.

Los tornillos grandes y el material duro de las piezas a trabajar requieren un ajuste de par de apriete mayor que los tornillos pequeños y el material blando de las piezas de trabajo.

El collarín dispone de una amplia gama de ajustes que se acoplan a sus necesidades.

- ◆ Para taladrar madera, metal y plásticos, coloque el collarín (3) en la posición de taladrado alineando el símbolo  con la marca (21).
- ◆ Para atornillar, coloque el collarín en el valor deseado. Si todavía no sabe cuál es el valor apropiado, proceda del modo siguiente:
 - ◆ Ponga el collarín (3) en el valor de ajuste más bajo.
 - ◆ Apriete el primer tornillo.
 - ◆ Si el embrague se endenta antes de lograr el resultado deseado, aumente el valor del collarín y continúe apretando el tornillo. Repita el procedimiento hasta que alcance el valor correcto. Utilice dicho valor para los tornillos restantes.

HP122K(D)/HP142K(D) - Taladrado de mampostería (fig. H & I)

- ◆ Para taladrar mampostería, coloque el collarín (3) en la posición de taladrado a martillo alineando el símbolo  con la marca (21).
- ◆ Deslice el selector de dos marchas (5) hacia la parte frontal de la herramienta (2ª marcha).

HP122K(D)/HP142K(D) - Selector de dos marchas (fig. I)

- ◆ Para taladrar acero y para trabajos de atornillar, deslice el selector de dos marchas (5) hacia la parte posterior de la herramienta (1ª marcha).
- ◆ Para taladrar materiales que no sean de acero, deslice el selector de dos marchas (5) hacia la parte delantera de la herramienta (2ª marcha).

Indicador de taladrado continuo (fig. J)

Esta herramienta incorpora un indicador para facilitar el taladrado continuo. Esta característica se puede utilizar tanto en posición horizontal como vertical.

- ◆ Coloque la herramienta tal y como se necesite.
- ◆ Mantenga ligeramente pulsado el interruptor (1) sin encender la herramienta.

- ◆ Mueva lentamente la parte posterior de la herramienta hasta que el indicador rojo (2) se encienda.
- ◆ Presione un poco más el interruptor para comenzar a taladrar.

HP12KD/HP14KD/HP122KD/HP142KD - Detección de tuberías o cables (fig. K)

- ◆ Retire el detector (23) del soporte (24).
- ◆ Consulte el manual del detector para más instrucciones.

Taladrado/atornillado (fig. A)

- ◆ Seleccione la rotación directa o inversa usando la guía de deslizamiento hacia adelante/atrás (2).
- ◆ Para encender la herramienta, presione el interruptor (1). La velocidad de la herramienta dependerá de hasta dónde presione el conmutador.
- ◆ Para parar la herramienta, suelte el interruptor.

Consejos para un uso óptimo

Taladrado

- ◆ Aplique siempre una suave presión en línea recta con la broca.
- ◆ Justo antes de que la punta de la broca atraviese la pieza de trabajo, disminuya la presión sobre la herramienta.
- ◆ Use un bloque de madera como soporte de piezas de trabajo que puedan astillarse.
- ◆ Use brocas de pala para taladrar agujeros de gran diámetro en madera.
- ◆ Use brocas de acero rápido para taladrar metal.
- ◆ Use brocas de mampostería para taladrar mampostería blanda.
- ◆ Use un lubricante para taladrar metales distintos del hierro fundido y el latón.
- ◆ Haga una marca con un punzón de perforar en el centro del agujero que desea taladrar para mayor precisión.

Atornillado

- ◆ Use siempre el tipo y el tamaño adecuado de destornillador de berbiquí.
- ◆ Si le resulta difícil apretar los tornillos, intente aplicar una pequeña cantidad de jabón o líquido jabonoso como lubricante.

- ◆ Sujete siempre la herramienta y el destornillador de berbiquí en línea recta con el tornillo.

- ◆ Abra periódicamente el portabrocas y golpéelo suavemente para extraer el polvo del interior.

MANTENIMIENTO

Su herramienta Black & Decker está diseñada para funcionar durante un largo período de tiempo con un mantenimiento mínimo. El funcionamiento satisfactorio continuado depende de un cuidado apropiado y una limpieza periódica de la herramienta.

Su cargador no requiere ningún mantenimiento aparte de una limpieza periódica.



- ◆ Antes de efectuar cualquier mantenimiento en la herramienta, retire la batería de la herramienta.
- ◆ Desenchufe el cargador antes de limpiarlo.
- ◆ Limpie periódicamente las ranuras de ventilación de la herramienta y del cargador con un cepillo suave o un paño seco.
- ◆ Limpie periódicamente la carcasa del motor con un paño húmedo. No utilice ninguna sustancia limpiadora abrasiva o que contenga disolventes.

MEDIO AMBIENTE

Herramientas



Si llega el momento en que cree que debe reemplazar su herramienta, o no la piensa utilizar más, piense en la protección del medio ambiente. Los servicios postventa Black & Decker aceptarán sus herramientas viejas Black & Decker y se desharán de ellas de la forma menos perjudicial para el medio ambiente.

Baterías



Las baterías Black & Decker pueden recargarse muchas veces. Al final de su vida útil, deseche las baterías con el debido cuidado con el entorno:

- ◆ Descargue totalmente la batería, luego retírela de la herramienta.

Características técnicas

		HP96K	HP12K(D)	HP14K(D)	HP122K(D)	HP142K(D)
Voltaje	V _{DC}	9,6	12	14,4	12	14,4
Velocidad sin carga	min ⁻¹	350/700	0-750	0-750	0-400/0-1.200	0-400/0-1.200
Par máximo	Nm	10,5	11,8	12,9	23,5	26
Capacidad del portabrocas	mm	10	10	10	10	10
Máxima capacidad de taladrado de acero/madera	mm	10/20/-	10/25/-	10/30/-	10/25/12	10/30/12
Peso (sin batería)	kg	1,0	1,0 (1,2)	1,3 (1,4)	1,0 (1,2)	1,3 (1,4)

Batería		HP96K	HP12K(D)	HP14K(D)	HP122K(D)	HP142K(D)
Cat. no. batería		A96	A12	499936-34	A12	499936-35
Voltaje	V _{DC}	9,6	12	14,4	12	14,4
Capacidad	Ah	1,2	1,2	1,2	1,2	1,2
Peso	kg	0,56	0,52 (0,63)	0,76	0,52	0,63

Cargador		HP96K	HP12K(D)	HP14K(D)	HP122K(D)	HP142K(D)
Tensión de la red	V _{AC}	230	230	230	230	230
Tiempo aproximado de carga	h	3	3	3	1	1

- ◆ Las baterías NiCd y las baterías NiMH son reciclables. Entregue las baterías al servicio postventa Black & Decker o deposítelas en un punto local de reciclado. Las baterías recogidas serán recicladas o adecuadamente desechadas.

Garantía

Black & Decker confía plenamente en la calidad de sus productos y ofrece una garantía extraordinaria. Esta declaración de garantía es un añadido, y en ningún caso un perjuicio para sus derechos estatutarios. La garantía es válida dentro de los territorios de los Estados Miembros de la Unión Europea y de los de la Zona Europea de Libre Comercio.

Si un producto Black & Decker resultará defectuoso debido a materiales o mano de obra defectuosos o a la falta de conformidad, Black & Decker garantiza, dentro de los 24 meses de la fecha de compra, la sustitución de las piezas defectuosas, la reparación de los productos sujetos a un desgaste y rotura razonables o la sustitución de tales productos para garantizar al cliente el mínimo de inconvenientes, a menos que:

- ◆ El producto haya sido utilizado con propósitos comerciales, profesionales o de alquiler;
- ◆ El producto haya sido sometido a un uso inadecuado o negligente;
- ◆ El producto haya sufrido daños causados por objetos o sustancias extrañas o accidentes;
- ◆ Se hayan realizado reparaciones por parte de personas que no sean los servicios de reparación autorizados o personal de servicios de Black & Decker;

Para reclamar en garantía, será necesario que presente la prueba de compra al vendedor o al servicio técnico de reparaciones autorizado. Pueden consultar la dirección de su servicio técnico más cercano poniéndose en contacto con la oficina local de Black & Decker en la dirección que se indica en este manual. Como alternativa, se puede consultar en Internet, en la dirección siguiente, la lista de servicios técnicos autorizados e información completa de nuestros servicios de postventa y contactos: **www.2helpU.com**.

BERBEQUIM/APARAFUSADOR SEM FIO HP96K/HP12K(D)/HP14K(D)/HP122K(D)/ HP142K(D)

PARABÉNS!

Você escolheu uma ferramenta Black & Decker. O nosso objectivo é fornecer ferramentas de qualidade a um preço acessível. Esperamos que a utilize por muitos anos.



Colin Wills

Engenheiro Responsável
BDCI, 4/F, 2 Dai Wang Street
Tai Po Industrial Estate
Tai Po NT, Hong Kong

DECLARAÇÃO DE CONFORMIDADE



HP96K/HP12K(D)/HP14K(D)/HP122K(D)/
HP142K(D)

Black & Decker declara que estas ferramentas foram concebidas em conformidade com:
98/37/CEE, 89/336/CEE, 73/23/CEE,
EN 50260, EN 55014, EN 60335, EN 61000

FINALIDADE DA FERRAMENTA

O berbequim/aparafusador sem fio da Black & Decker HP96K/HP12K(D)/HP14K(D) foi projectado para aparafusar e perfurar madeira, metal e plástico.

Nível de potência sonora, medido de acordo com a EN 50260:

		HP96K	HP12K(D)	HP14K(D)
L_{pA}	(pressão sonora) dB(A)	71	70	75
L_{WA}	(potência sonora) dB(A)	84	83	86

O berbequim/aparafusador sem fio da Black & Decker HP122K(D)/HP142K(D) foi projectado para aparafusar e perfurar madeira, metal, plástico e alvenaria. Esta ferramenta destina-se apenas para uso doméstico.

		HP122K(D)	HP142K(D)
L_{pA}	(pressão sonora) dB(A)	84	82
L_{WA}	(potência sonora) dB(A)	97	94

O seu carregador Black & Decker foi desenhado para carregar as baterias Black & Decker do tipo fornecido com esta ferramenta.

INSTRUÇÕES DE SEGURANÇA



Use protectores auditivos quando a potência sonora ultrapassar 85 dB(A).

Símbolos

Os seguintes símbolos são usados neste manual:

Valor médio quadrático ponderado em frequência de aceleração conforme à EN 50260:

HP96K	HP12K(D)	HP14K(D)	HP122K(D)	HP142K(D)
< 2,5 m/s ²	< 2,5 m/s ²	< 2,5 m/s ²	6,8 m/s ²	6,0 m/s ²



Indica risco de ferimentos, perigo de vida ou danos na ferramenta no caso do não-cumprimento das instruções deste manual.



Indica tensão eléctrica.



Leia este manual antes de utilizar a ferramenta.



Perigo de incêndio.

Conhecer a ferramenta



- ◆ **Aviso!** Ao utilizar ferramentas alimentadas por bateria, é preciso seguir sempre as precauções básicas de segurança, incluindo as detalhadas a seguir, para diminuir os riscos de incêndio, corrosão das baterias, ferimentos pessoais e danos materiais.
- ◆ Leia atentamente este manual antes de utilizar a ferramenta.
- ◆ Antes de utilizar a ferramenta, certifique-se de que sabe como desligá-la em uma emergência.
- ◆ Guarde este manual para futura referência.

Informações gerais

1. Mantenha a área de trabalho arrumada

As mesas e áreas de trabalho desarrumadas podem provocar ferimentos.

2. Cuide do ambiente da área de trabalho

Não exponha a ferramenta à chuva. Não utilize a ferramenta em situações onde haja humidade ou água. Mantenha a área de trabalho bem iluminada. Não utilize a ferramenta onde haja risco de fogo ou explosão, p.ex. em presença de líquidos ou gases inflamáveis.

3. Mantenha as crianças afastadas

Não permita que crianças, visitantes ou animais cheguem perto da área de trabalho ou toquem na ferramenta.

4. Vista-se de maneira apropriada

Não use vestuário largo nem jóias porque podem prender-se numa peça móvel. Quando se trabalha no exterior, é de aconselhar o uso de luvas de borracha e de calçado antiderrapante. Cubra o cabelo se tiver cabelo comprido.

5. Protecção pessoal

Utilize óculos de protecção. Utilize óculos de protecção e uma máscara de rosto ou poeira sempre que as operações possam produzir poeira ou partículas que voem. Utilize protector de ouvidos sempre que o nível de ruído pareça ser incómodo.

6. Verifique a sua posição

Mantenha sempre o equilíbrio.

7. Esteja atento

Dê atenção ao que vai fazendo. Trabalhe com precaução. Não utilize ferramentas quando estiver cansado.

8. Segure firmemente as peças a trabalhar

Utilize grampos ou um torno para segurar as peças de trabalho. É mais seguro e permite manter as duas mãos livres para trabalhar.

9. Conecte o equipamento de extracção de pó

Caso sejam fornecidos os dispositivos para a conexão de extracção e colecta de pó, assegure-se de que os mesmos sejam correctamente conectados e utilizados.

10. Tire as chaves de aperto

Verifique sempre se as chaves de aperto foram retiradas da ferramenta antes de a utilizar.

11. Utilize a ferramenta apropriada.

Neste manual indicam-se as aplicações da ferramenta. Não force pequenas ferramentas ou acessórios para fazer o trabalho duma ferramenta forte. A ferramenta trabalhará melhor e de uma maneira mais segura se for utilizada para o efeito indicado. Não force a ferramenta.

Aviso! O uso de qualquer acessório ou da própria ferramenta, além do que é recomendado neste manual de instruções pode dar origem a risco de ferimento.

12. Verifique se há peças danificadas.

Antes do uso, verifique cuidadosamente se a ferramenta está danificada. Verifique o tamanho das peças móveis e se as mesmas estão alinhadas; verifique se há alguma peça partida, se as protecções e os interruptores estão danificados, bem como quaisquer outras condições que possam afectar o funcionamento da ferramenta. Assegure-se de que a ferramenta funcione correctamente e de que esteja a desempenhar as funções para as quais foi projectada. Não utilize a ferramenta se houver alguma peça defeituosa. Não utilize a ferramenta se o interruptor não estiver a funcionar para ligar ou desligar. Qualquer peça defeituosa deve ser reparada ou substituída por um técnico autorizado. Nunca tente efectuar qualquer reparação por sua conta.

13. Remova a bateria.

Remova a bateria quando a ferramenta não estiver em uso, antes de trocar qualquer peça da ferramenta, acessórios ou anexos e antes de enviar ao serviço técnico.

14. Evite ligar sem intenção

Não transporte a ferramenta com um dedo sobre o interruptor liga/desliga. Certifique-se de que a ferramenta esteja desligada quando for inserir a bateria.

15. Não force o cabo eléctrico

Nunca transporte a ferramenta pelo cabo e não puxe pelo cabo para tirar a ficha da tomada. Proteja o cabo contra o calor e evite o contacto com óleo e objectos cortantes.

16. Guarde as ferramentas que não estiverem a ser utilizadas.

Quando não estiverem em uso, as ferramentas e baterias devem ser armazenadas num local seco, fora do alcance de crianças.

17. Cuide das suas ferramentas com atenção

Mantenha as ferramentas cortantes afiadas e limpas para um melhor e mais seguro desempenho. Siga as instruções para a manutenção e a troca de acessórios. Mantenha os punhos e os interruptores secos, limpos e isentos de óleo e gordura.

18. Reparos

Esta ferramenta cumpre os requisitos de segurança pertinentes. Os reparos devem ser realizados somente por pessoas qualificadas e as peças de reposição devem ser originais. A não observância disso poderá resultar em perigos consideráveis para os utilizadores.

Instruções adicionais de segurança para baterias e carregadores

Baterias

- ◆ Nunca tente abrir seja qual for a razão.
- ◆ Não exponha à água.
- ◆ Não armazene em locais onde a temperatura possa exceder 40 °C.
- ◆ Carregue somente à temperatura ambiente entre 4 °C e 40 °C.
- ◆ Carregue somente utilizando o carregador fornecido com a ferramenta (veja os dados técnicos).

- ◆ Antes de carregar, certifique-se de que a bateria esteja seca e limpa.
- ◆ Utilize somente o tipo correcto de bateria para a ferramenta (veja os dados técnicos).
- ◆ Quando se desfizer das baterias, siga as instruções dadas na secção "Ambiente".
- ◆ Sob condições extremas, pode ocorrer vazamento de bateria. Quando notar que há líquido na bateria, proceda da seguinte maneira:
 - Limpe o líquido cuidadosamente utilizando um pano. Evite o contacto com a pele.
 - Em caso de contacto com a pele ou com os olhos, siga as instruções abaixo.



O líquido da bateria, uma 25-30% solução de hidróxido de potássio, pode ser nocivo. Em caso de contacto com a pele, lave imediatamente com água. Neutralize com um ácido suave, como sumo de limão ou vinagre. Em caso de contacto com os olhos, enxague abundantemente com água limpa durante 10 minutos. Consulte um médico.



Perigo de incêndio! Evite curto-circuito metálico nos contactos de uma bateria (p.e. chaves de porcas na mesma caixa que a bateria).



Não queime a bateria.



Não carregue baterias danificadas.

Carregadores

- ◆ Utilize seu carregador Black & Decker somente para carregar as baterias do tipo fornecido com sua ferramenta. Outras baterias poderiam explodir causando danos pessoais e estragos.
- ◆ Nunca tente carregar baterias não recarregáveis.
- ◆ Substitua os cabos defeituosos imediatamente.
- ◆ Não exponha à água.
- ◆ Não abra o carregador.
- ◆ Não submeta o carregador a testes electrónicos.



Concebido somente para uso em interior.

Instruções adicionais de segurança para berbequins/aparafusadoras

- ◆ Antes de perfurar paredes, pisos ou tectos, verifique a localização de fios e canos.
- ◆ Evite tocar na ponta da broca imediatamente após perfurar, pois esta pode estar quente.

SEGURANÇA ELÉCTRICA

Assegure-se de que a voltagem do seu carregador corresponde com a rede de energia.



O seu carregador tem duplo isolamento em conformidade com o estipulado na norma EN 60335, não sendo, por isso, necessária uma ligação à terra.

HP96K/HP12K(D)/HP14K(D)



Nunca tente substituir o carregador por uma tomada de energia normal.

VISÃO GERAL (fig. A)

1. Interruptor de velocidade variável (HP12K(D)/HP14K(D)/HP122K(D)/HP142K(D))
1. Interruptor de ligar/desligar de duas velocidades (HP96K)
2. Selector de reversibilidade
3. Selector de modo / anel de ajuste de torque
4. Bucha
5. Selector de velocidades (HP122K(D)/HP142K(D))
6. Indicador de carga da bateria (HP96K/HP12K/HP14K/HP122K/HP142K)
7. Indicador de perfuração horizontal/vertical
8. Suporte de ponta
9. Bateria
10. Botão de fixação da bateria
11. Carregador (HP96K/HP12K(D)/HP14K(D))
12. Receptáculo para o carregador (HP96K/HP12K(D)/HP14K(D))
13. Carregador (HP122K(D)/HP142K(D))
14. Indicador de carga (HP122K(D)/HP142K(D))
15. Indicador de carga completa (HP122K(D)/HP142K(D))

MONTAGEM

Colocação e remoção da bateria (fig. B)

- ◆ Para instalar a bateria (9), alinhe-a com o receptáculo na ferramenta. Deslize a bateria no receptáculo e empurre-a até que ela encaixe no lugar.
- ◆ Para removê-la, prima os dois botões de fixação (10) e puxe a bateria para fora do receptáculo simultaneamente.

Colocação e remoção de brocas ou pontas de aparafusar (fig. A & C)

A ferramenta está equipada com uma bucha sem chave para permitir uma fácil troca de brocas.

- ◆ Trave a ferramenta colocando o selector de reversibilidade (2) na posição central (fig. A).
- ◆ Abra a bucha girando a parte frontal (16) com uma mão enquanto segura a parte traseira (17) com a outra (fig. C).
- ◆ Insira uma broca (18) na bucha.
- ◆ Aperte firmemente a bucha girando a parte frontal (16) com uma mão enquanto segura a parte traseira (17) com a outra.

Esta ferramenta é fornecida com uma ponta de aparafusar no compartimento de broca (8) (fig. A).

- ◆ Para remover a ponta de aparafusar do compartimento de broca, puxe-a.
- ◆ Para guardar a ponta de aparafusar, empurre-a firmemente no compartimento.

HP12KD/HP14KD/HP122KD/HP142KD -

Colocação do detector (fig. K)

A ferramenta inclui um local de montagem onde o detector (23) fica armazenado quando não é utilizado.

- ◆ Pendure a unidade no suporte (24) como mostrado.

USO



Deixe que a ferramenta funcione à vontade. Não a sobrecarregue.

Carregar a bateria

A bateria precisa ser carregada antes da primeira utilização e sempre que falhe em produzir potência suficiente para realizar trabalhos que antes eram facilmente realizados. Quando estiver a carregar a bateria pela primeira vez, ou após armazenamento prolongado, ela aceitará somente 80% da carga. Após vários ciclos de carga e descarga, a bateria atingirá sua capacidade total. A bateria pode ficar quente enquanto estiver a carregar; isto é normal e não indica um problema.



Não carregue às temperaturas ambientes inferiores a 4 °C ou superiores a 40°. A temperatura recomendada para carregar é de aproximadamente 24 °C.

HP96K/HP12K(D)/HP14K(D) (fig. D)

- ◆ Para carregar a bateria (9), retire-a da ferramenta.
- ◆ Coloque o receptáculo do carregador (12) na bateria conforme o mostrado.
- ◆ Ligue o carregador na corrente eléctrica (11).

A bateria se aquecerá durante o processo de carga. Após aproximadamente 3 horas de carga, a bateria estará completa.

- ◆ Remova o receptáculo do carregador da bateria.

HP122K(D)/HP142K(D) (fig. E)

- ◆ Para carregar a bateria (9), remova-a da ferramenta e insira-a no carregador (13). A bateria só encaixará no carregador de um modo. Não force. Esteja seguro de que a bateria está completamente encaixada no carregador.
- ◆ Ligue o carregador na corrente eléctrica.
- ◆ Verifique se o indicador vermelho de carga (14) se acende. Se em vez disso o indicador verde de carga completa (15) se acender, a bateria está muito quente e não pode ser carregada. Se isso acontecer, remova a bateria do carregador, deixe-a arrefecer por aproximadamente 1 hora e insira-a de novo.

Depois de aproximadamente 1 hora de carregamento, o indicador vermelho de carga (14) se apagará e o indicador verde de carga completa (15) acenderá. A bateria estará então completamente carregada.

- ◆ Remova a bateria do carregador.

HP96K/HP12K/HP14K/HP122K/HP142K -

Verificação do estado da bateria (fig. F)

Esta ferramenta está equipada com um indicador de carga da bateria, que permite que se verifique o estado da mesma.

- ◆ Prima e segure o botão (19).
- ◆ Verifique quantas luzes se acendem (20):

Carga da bateria

1 luz baixa

2 luzes média

3 luzes alta

Seleção da direcção de rotação (fig. G)


Para perfurar e apertar parafusos, utilize a rotação "avançar" (sentido horário). Para soltar parafusos ou remover uma broca presa, utilize a rotação "inverter" (sentido anti-horário).

- ◆ Para seleccionar a rotação para avançar, empurre o selector de reversibilidade (2) para a esquerda.
- ◆ Para seleccionar a rotação inversa, empurre o selector de reversibilidade para a direita.
- ◆ Para travar a ferramenta, coloque o selector de reversibilidade na posição central.


Seleção do modo de operação ou par de aperto (fig. H)

Esta ferramenta está equipada com um anel de ajuste de torque para apertar parafusos.

Parafusos grandes e materiais duros requerem força maior que parafusos pequenos e materiais mais moles. O anel dispõe de uma ampla variedade de ajustes com o fim de que a ferramenta se adapte a cada aplicação.

- ◆ Para perfurar madeira, metal e plástico, ajuste o anel (3) à posição de perfuração alinhando o símbolo  com a marca (21).
- ◆ Para aparafusar, ajuste o anel à posição desejada. Se não souber qual é a posição apropriada, proceda da seguinte maneira:
 - ◆ Ajuste o anel (3) ao menor par de aperto.
 - ◆ Aperte o primeiro parafuso.
 - ◆ Se a bucha parar antes que o resultado seja conseguido, aumente o ajuste e continue a apertar o parafuso. Repita esta operação até atingir o ajuste correcto. Utilize este ajuste para o resto dos parafusos.

HP122K(D)/HP142K(D) - Perfuração em alvenaria (fig. H & I)

- ◆ Para perfurar em alvenaria, ajuste o anel (3) à posição de perfuração alinhando o símbolo  com a marca (21).
- ◆ Empurre o selector de velocidade (5) em direcção à parte frontal da ferramenta (segunda engrenagem).

HP122K(D)/HP142K(D) - Selector de velocidade (fig. I)

- ◆ Para perfurar em aço e aparafusar, empurre o selector (5) em direcção à parte traseira da ferramenta (primeira engrenagem).
- ◆ Para perfurar em aço e aparafusar, empurre o selector (5) em direcção à parte frontal da ferramenta (segunda engrenagem).

Indicador de perfuração horizontal/vertical (fig. J)

Esta ferramenta está equipada com um indicador para facilitar a perfuração recta. Pode-se utilizar esse recurso tanto na horizontal como na vertical.

- ◆ Posicione a ferramenta conforme o necessário.
- ◆ Prima levemente o interruptor (1) e mantenha-o sem chegar a ligar a ferramenta.
- ◆ Movimente lentamente o motor da ferramenta até que o indicador vermelho (22) se acenda.
- ◆ Prima o interruptor um pouco mais para iniciar a perfuração.

HP12KD/HP14KD/HP122KD/HP142KD -
Detecção de tubos ou fios (fig. K)

- ◆ Retire o detector (23) do suporte (24).
- ◆ Consulte o manual do detector para mais instruções.

Perfurar/aparafusar (fig. A)

- ◆ Selecione rotação para avançar ou inverter utilizando o selector de reversibilidade (2).
- ◆ Para ligar a ferramenta, prima o interruptor (1). A velocidade da ferramenta depende de quanto se pressiona o interruptor.
- ◆ Para desligar a ferramenta, solte o interruptor.

Sugestões para uma melhor utilização

Perfuração

- ◆ Aplique sempre uma leve pressão em linha recta com a broca.
- ◆ Um pouco antes que a broca atravesse a peça de trabalho, diminua a pressão sobre a ferramenta.
- ◆ Utilize um bloco de madeira como suporte para peças de trabalho que possam lascas.
- ◆ Utilize brocas talhadeiras quando perfurar orifícios de grande diâmetro em madeira.
- ◆ Utilize brocas de alta dureza quando perfurar em metal.
- ◆ Utilize brocas de pedra quando perfurar em alvenaria.
- ◆ Utilize um lubrificante quando perfurar em metais que não sejam ferro fundido e latão.
- ◆ Faça um entalho no centro do orifício utilizando um punção para melhorar a precisão.

Aparafusar

- ◆ Utilize sempre o tipo e tamanho correcto de ponta de aparafusar.
- ◆ Se os parafusos estão difíceis de apertar, tente aplicar uma pequena quantidade de detergente ou sabão como lubrificante.
- ◆ Segure sempre a ferramenta e a ponta de aparafusar em linha recta com o parafuso.

MANUTENÇÃO

Esta ferramenta Black & Decker foi desenvolvida para funcionar por um longo período, com um mínimo de manutenção. O funcionamento contínuo e satisfatório depende da limpeza regular e cuidado adequado da ferramenta. O seu carregador não requer qualquer manutenção além de sua limpeza regular.



- ◆ Antes de executar qualquer manutenção na ferramenta, remova a bateria da ferramenta.
- ◆ Desligue o carregador da ficha antes de limpá-lo.
- ◆ Limpe regularmente as fendas de ventilação na ferramenta e no carregador utilizando uma escova macia ou pano seco.

- ◆ Limpe regularmente o compartimento do motor utilizando um pano húmido. Não utilize nenhum limpador abrasivo ou de base solvente.
- ◆ Abra regularmente a bucha e bata levemente para remover qualquer poeira do interior.

AMBIENTE

Ferramentas



Leve a sua ferramenta velha a um centro de assistência técnica Black & Decker onde ela será eliminada de um modo seguro para o ambiente.

Baterias



As baterias Black & Decker podem ser recarregadas muitas vezes. No final de sua vida técnica, deite fora a bateria tomando o devido cuidado com nosso meio ambiente:

- ◆ Deixe que a bateria se descarregue completamente e depois remova-a da ferramenta.

- ◆ As baterias NiCd e NiMH são recicláveis. Leve-as ao seu distribuidor ou a uma estação local de reciclagem. As baterias recolhidas serão recicladas ou eliminadas propriamente.

Garantia

A Black & Decker confia na qualidade de seus produtos e oferece um programa de garantia excelente. Esta declaração de garantia soma-se aos seus direitos legais e não os prejudica em nenhum aspecto. A garantia será válida nos territórios dos Estados Membros da União Europeia e na Área de Livre Comércio da Europa.

Caso algum produto da Black & Decker apresente avarias devido a defeitos de material, mão-de-obra ou ausência de conformidade no prazo de 24 meses a partir da data de compra, a Black & Decker garantirá a substituição das peças defeituosas, a reparação dos produtos que foram submetidos a um adequado e remoção ou substituição dos mesmos para assegurar o mínimo de inconvenientes ao cliente a menos que:

- ◆ O produto tenha sido utilizado para fins comerciais, profissionais ou aluguer;

Dados técnicos

		HP96K	HP12K(D)	HP14K(D)	HP122K(D)	HP142K(D)
Voltagem	V _{DC}	9,6	12	14,4	12	14,4
Velocidade sem carga	min ⁻¹	350/700	0-750	0-750	0-400/0-1.200	0-400/0-1.200
Par máx.	Nm	10,5	11,8	12,9	23,5	26
Capacidade da bucha	mm	10	10	10	10	10
Capacidade máx. de perfuração em aço/madeira/alvenaria	mm	10/20/-	10/25/-	10/30/-	10/25/12	10/30/12
Peso (sem a bateria)	kg	1,0	1,0 (1,2)	1,3 (1,4)	1,0 (1,2)	1,3 (1,4)

Bateria		HP96K	HP12K(D)	HP14K(D)	HP122K(D)	HP142K(D)
Cat. no. bateria		A96	A12	499936-34	A12	499936-35
Voltagem	V _{DC}	9,6	12	14,4	12	14,4
Capacidade	Ah	1,2	1,2	1,2	1,2	1,2
Peso	kg	0,56	0,52 (0,63)	0,76	0,52	0,63

Carregador		HP96K	HP12K(D)	HP14K(D)	HP122K(D)	HP142K(D)
Voltagem	V _{AC}	230	230	230	230	230
Tempo aproximado de carregamento	h	3	3	3	1	1

PORTUGUÊS

- ◆ O produto tenha sido submetido a uso incorrecto ou descuido;
- ◆ O produto tenha sofrido danos causados por objectos estranhos, substâncias ou acidentes;
- ◆ Tenha um histórico de reparações efectuadas por terceiros que não sejam os agentes autorizados ou profissionais de manutenção da Black & Decker.

Para activar a garantia, será necessário enviar a prova de compra ao revendedor ou agente de reparação autorizado. Para verificar a localização do agente de reparação mais próximo de si contacte o escritório local da Black & Decker no endereço indicado neste manual. Se preferir, consulte a lista de agentes autorizados da Black & Decker e os dados completos de nossos serviços de atendimento pós-venda na Internet no endereço: **www.2helpU.com**.

UPPLADDNINGSBAR BORRMASKIN / SKRUVDRAGARE HP96K/HP12K(D)/ HP14K(D)/HP122K(D)/HP142K(D)

BÄSTE KUND!

Tack för att du har valt ett verktyg från Black & Decker. Vi hoppas att du kommer att få glädje av verktyget i många år.

CE-FÖRSÄKRAN OM ÖVERENSSTÄMMELSE



HP96K/HP12K(D)/HP14K(D)/HP122K(D)/
HP142K(D)

Black & Decker förklarar att dessa verktyg är konstruerade i överensstämmelse med: 98/37/EEG, 89/336/EEG, 73/23/EEG, EN 50260, EN 55014, EN 60335, EN 61000

Ljudnivå, uppmätt enligt EN 50260:

		HP96K	HP12K(D)	HP14K(D)
L_{pA} (ljudtryck)	dB(A)	71	70	75
L_{WA} (ljudeffekt)	dB(A)	84	83	86

		HP122K(D)	HP142K(D)
L_{pA} (ljudtryck)	dB(A)	84	82
L_{WA} (ljudeffekt)	dB(A)	97	94



Använd hörselskydd om ljudnivån överskrider 85 dB(A).

Det vägda geometriska medelvärdet av vibrationsfrekvensen enligt EN 50260:

HP96K	HP12K(D)	HP14K(D)	HP122K(D)	HP142K(D)
< 2,5 m/s ²	< 2,5 m/s ²	< 2,5 m/s ²	6,8 m/s ²	6,0 m/s ²

Colin Wills

Director of Engineering
BDCI, 4/F, 2 Dai Wang Street
Tai Po Industrial Estate
Tai Po NT, Hong Kong

ANVÄNDNINGSSOMRÅDE

Din bormaskin/skruvdragare HP96K/HP12K(D)/HP14K(D) från Black & Decker har tagits fram för skruvdragning och för bormning i trä, metall och plast. Din bormaskin/skruvdragare HP122K(D)/HP142K(D) från Black & Decker har tagits fram för skruvdragning och för bormning i trä, metall, plast och murverk.

Verktyget är endast avsett för bruk i hemmet.

Din Black & Decker batteriladdare är avsedd för laddning av Black & Decker-batterier av den typ som medföljer verktyget.

SÄKERHETSINSTRUKTIONER

Symboler

Följande symboler har använts i bruksanvisningen:



Anger risk för personskada, livsfara eller skada på verktyg om du inte följer de instruktioner som står i bruksanvisningen.



Anger risk för elektrisk stöt.



Läs bruksanvisningen innan du använder verktyget.



Brandfara.

Lär känna verktyget



- ◆ **Varning!** När man använder batteridrivna verktyg är det viktigt att man bl.a. följer nedanstående säkerhetsanvisningar för att minska risken för brand, batteriläckage, personsador och materialsador.
- ◆ Läs bruksanvisningen noggrant innan du använder verktyget.
- ◆ Var säker på att du vet hur man stänger av verktyget innan du börjar använda det.
- ◆ Spara bruksanvisningen lättillgängligt.

Allmänt

1. Håll arbetsområdet i ordning

Nedskräpade ytor och arbetsbänkar inbjuder till skador.

2. Tänk på arbetsmiljöns inverkan

Utsätt inte verktyget för regn. Använd inte verktyget på fuktiga eller våta platser. Ha bra belysning över arbetsytan. Använd inte verktyget där det finns risk för eldsvåda eller explosion, t.ex. i närheten av lättantändliga vätskor eller gaser.

3. Utom räckhåll för barn

Tillåt inte barn, besökande eller djur att komma i närheten av arbetsplatsen eller att röra vid verktyget.

4. Klä dig rätt

Bär inte löst hängande kläder eller smycken. De kan fastna i rörliga delar. Gummihandskar och halkfria skor rekommenderas vid utomhusarbeten. Använd hårnät om du har långt hår.

5. Skyddskläder

Använd alltid skyddsglasögon. Använd ansiktsmask om arbetet förorsakar damm eller partiklar i luften. Använd hörselskydd om du besväras av ljudnivån.

6. Sträck dig inte för mycket

Se till att du alltid har säkert fotfäste och balans.

7. Var uppmärksam

Titta på det du gör. Använd sunt förnuft. Använd inte verktyget när du är trött.

8. Sätt fast arbetsstycket

Använd skruvvingar eller ett skruvstycke för att hålla fast arbetsstycket.

Det är säkrare än att använda handen och du får bägge händerna fria för arbetet.

9. Anslut dammsugningsutrustning

Om möjligheter finns för anslutning av utrustning för dammsugning och dammuppsamling ska sådan utrustning anslutas och användas på korrekt sätt. OBS! Använd endast grovsugare.

10. Tag bort nycklar

Kontrollera att nycklar och justerverktyg har tagits bort från verktyget innan det startas.

11. Använd rätt verktyg

Använd inte verktyg för ändamål de inte är avsedda för. Tvinga inte verktyget att göra arbeten som är avsedda för kraftigare verktyg. Överbelasta inte verktyget.

Varning! Använd endast tillbehör och tillsatser som är rekommenderade i bruksanvisningen och katalogerna. Användning av annat verktyg eller tillbehör kan innebära risk för personskada.

12. Kontrollera verktyget för skador

Kontrollera verktyget för skador innan du använder det. Kontrollera att de rörliga delarna inte har fastnat eller är felmonterade. Kontrollera även att övriga delar och skydd inte är skadade och att det inte föreligger några andra fel som kan påverka verktygets funktion. Kontrollera att verktyget fungerar riktigt och kan utföra de avsedda funktionerna. Använd inte verktyget om fel uppstått på någon av dess delar. Använd inte verktyget om det inte kan kopplas till och från med strömbrytaren. Om fel uppstår skall delarna repareras eller bytas ut av en auktoriserad Black & Decker serviceverkstad. Försök aldrig reparera verktyget själv.

13. Tag ur batteriet

Tag ur batteriet när verktyget inte används samt före byte av någon del av verktyget, tillbehör eller tillsats och innan serviceåtgärder utförs.

14. Undvik oavsiktlig start

Bär aldrig verktyget med ett finger på strömbrytaren. Se till att verktyget är avstängt när du sätter i batteriet i verktyget.

15. Misshandla inte sladden

Bär aldrig laddaren i sladden och använd inte sladden för att dra ut kontakten.

Utsätt inte sladden för värmekällor, olja eller skarpa kanter.

16. Förvara verktyg säkert

När verktyget inte används skall det samt batterierna och laddare förvaras på en torr plats utom räckhåll för barn.

17. Sköt verktyget med omsorg

Håll verktyget rent och använd skarpa tillbehör för bättre prestanda och säkrare drift.

Följ instruktionerna beträffande skötsel och byte av tillbehör. Håll handtagen och strömbrytare torra, rena och fria från olja och fett.

18. Reparationer

Detta verktyg uppfyller gällande säkerhetskrav. Reparationer ska utföras av en auktoriserad Black & Decker serviceverkstad som använder originaldelar, annars kan användaren utsättas för stor fara.

Extra säkerhetsföreskrifter för batterier och laddare

Batterier

- ◆ Försök aldrig öppna batteriet.
- ◆ Utsätt inte batteriet för vatten.
- ◆ Förvara inte batteriet i utrymmen där temperaturen kan överstiga 40 °C.
- ◆ Ladda endast inom temperaturområdet 4 °C till 40 °C.
- ◆ Ladda endast med laddaren som medföljer (se tekniska data).
- ◆ Kontrollera före laddningen att batteriet är torrt och rent.
- ◆ Använd endast batterier avsedda för verktyget (se tekniska data).
- ◆ När batterierna kasseras skall instruktionerna i kapitlet "Miljö" följas.
- ◆ Under extrema förhållanden kan batteriläckage uppstå. Om du upptäcker vätska från batteriet skall följande iakttagas:
 - Torka försiktigt bort vätskan med en trasa. Undvik kontakt med huden.
 - Vid kontakt med huden eller ögonen skall instruktionerna nedan följas.



Batterivätskan, en 25-30% lösning av kaliumhydroxid, kan vara skadlig.

Vid kontakt med huden, spola omedelbart med vatten. Neutralisera med en svag syra, t ex citronjuice eller ättika.

Vid kontakt med ögonen, skölj rikligt med vatten i minst 10 minuter. Kontakta läkare.



Brandfara! Undvik att kontakterna på ett fränkopplat batteri kortslogs av metall (t ex vid förvaring av batteriet i en verktygslåda).



Batteriet får ej eldas upp.



Använd aldrig ett skadat batteri.

Laddare

- ◆ Använd Black & Decker-laddaren endast tillsammans med det batteri som medföljer verktyget. Andra typer av batterier kan explodera och försäkra person- och materialskador.
- ◆ Försök aldrig ladda icke uppladdningsbara batterier.
- ◆ Byt genast ut skadade sladdar.
- ◆ Utsätt inte laddaren för vatten.
- ◆ Öppna inte laddaren.
- ◆ Gör ingen åverkan på laddaren.



Endast avsedd för inomhusbruk.

Extra säkerhetsföreskrifter för bormaskin/skruvdragare

- ◆ Kontrollera var de elektriska ledningarna och rörledningarna är installerade innan du borrar i väggar, golv och tak.
- ◆ Rör inte bormspetsen omedelbart efter det att bormen har stannat eftersom den kan vara varm.

ELEKTRISK SÄKERHET

Kontrollera att laddarens spänning överensstämmer med nätspänningen.



Laddaren är dubbelisolerad motsvarande EN 60335; jordledare är således överflödigt.

HP96K/HP12K(D)/HP14K(D)



Försök aldrig att ersätta laddningsenheten med en vanlig nätkontakt.

ÖVERSIKT (fig. A)

1. Steglös strömbrytare (HP12K(D)/HP14K(D)/HP122K(D)/HP142K(D))
1. Strömbrytare för två varvtal (HP96K)
2. Reglage höger- vänstergång
3. Momentkontroll
4. Chuck
5. Växel med två lägen (HP122K(D)/HP142K(D))
6. Batteriladdningsindikator (HP96K/HP12K/HP14K/HP122K/HP142K)
7. Indikator för rak borring
8. Mejselhållare
9. Batteri
10. Frikopplingsknapp
11. Laddare (HP96K/HP12K(D)/HP14K(D))
12. Laddningsenhet (HP96K/HP12K(D)/HP14K(D))
13. Laddare (HP122K(D)/HP142K(D))
14. Laddningsindikator - laddning pågår (HP122K(D)/HP142K(D))
15. Laddningsindikator - full laddning (HP122K(D)/HP142K(D))

MONTERING

Montering och borttagning av batteriet (fig. B)

- ◆ För att sätta i batteriet (9) riktas det in mot hållaren på verktyget. Skjut sedan in batteriet i hållaren och tryck det bakåt tills det snäpper fast på plats.
- ◆ För att ta ut batteriet trycker du på frikopplingsknappen (10) och drar ut det ur hållaren.

Montering och borttagning av borrar och mejslar (fig. A & C)

För att det ska vara lätt att byta borrar och mejslar är verktyget försett med en snabbchuck.

- ◆ Lås verktyget genom att ställa reglaget (2) i mittläget (fig. A).
- ◆ Öppna chucken genom att vrida den främre delen (16) med en hand samtidigt som den bakre delen (17) hålls på plats med den andra (fig. C).

- ◆ Sätt i tillbehöret (18) i chucken.
- ◆ Dra åt chucken hårt genom att vrida den främre delen (16) med en hand medan du håller fast den bakre delen (17) med den andra.

I verktygets mejselhållare sitter en mejsel (8) (fig. A).

- ◆ För att ta ut mejseln, lyfter du ut den ur hållaren.
- ◆ För förvaring trycker du fast mejseln i hållaren.

HP12KD/HP14KD/HP122KD/HP142KD -

Montering av detektorn (fig. K)

Verktyget har en monteringsplats där detektorn (23) förvaras när den inte används.

- ◆ Häng modulen på hållaren (24) enligt bilden.

ANVÄNDNING



Överbelasta inte maskinen, låt den arbeta i sin egen takt.

Laddning av batteriet

Batteriet måste laddas innan det används första gången och alltid när verktyget inte längre fungerar effektivt. När batteriet laddas första gången eller efter en längre tids förvaring är laddningskapaciteten endast 80%.

Efter flera uppladdnings- och urladdningscyklar uppnår batteriet full kapacitet. Batteriet kan bli varmt under laddningen; detta är en normal företeelse och indikerar inte något fel.



Ladda inte batteriet om lufttemperaturen är lägre än 4 °C eller högre än 40 °C.

Rekommenderad temperatur vid laddning: cirka 24 °C.

HP96K/HP12K(D)/HP14K(D) (fig. D)

- ◆ Ta bort batteriet (9) från verktyget när du ska ladda det.
 - ◆ Skjut på laddningsenheten (12) på batteriet som på bilden.
 - ◆ Anslut laddaren (11).
- Batteriet blir varmt när det laddas. Batteriet är fulladdat efter ungefär 3 timmars laddning.
- ◆ Ta bort laddningsenheten från batteriet.

HP122K(D)/HP142K(D) (fig. E)

- ◆ När batteriet (9) skall laddas tas det ur verktyget och placeras i laddaren (13). Det finns bara ett sätt att sätta batteriet i laddaren. Bruka inte våld. Kontrollera att batteriet sitter ordentligt i laddaren.
- ◆ Sätt in laddarens kontakt i vägguttaget.
- ◆ Kontrollera att den röda laddningsindikatorn (14) tänds. Om den gröna laddningsindikatorn (15) lyser istället betyder det att batteriet är för varmt och inte kan laddas. Om detta händer skall batteriet tas ut ur laddaren och svalna under cirka 1 timme, varefter det placeras i laddaren igen.

Efter cirka 1 timmes laddning släcks den röda laddningsindikatorn (14) och den gröna laddningsindikatorn (15) tänds. Batteriet är nu fulladdat.

- ◆ Tag ut batteriet ur laddaren.

HP96K/HP12K/HP14K/HP122K/HP142K -**Kontrollera batteriladdningen (fig. F)**

Detta verktyg är försett med en batteriladdningsindikator, så att du kan kontrollera batteriets laddningstillstånd.

- ◆ Tryck på knappen (19) och håll den intryckt.
- ◆ Se efter hur många lampor (20) som lyser:

Batteriladdning

1 lampor låg laddning

2 lampor medelhög laddning

3 lampor hög laddning


Val av rotationsriktning (fig. G)

När du borrar och skruvar i skruvar ska verktyget rotera i framåtriktningen (medurs). För att lossa skruvar eller ta loss ett borr som har fastnat används rotation bakåt (motsols).


- ◆ Välj rotation framåt genom att föra reglaget (2) åt vänster.
- ◆ Välj rotation bakåt genom att föra reglaget (2) till höger.
- ◆ Lås verktyget genom att ställa reglaget i mittläget.

Val av borrläge eller moment (fig. H)

Verktyget är försett med en krage för val av borrläge, och för att ställa in momentet för iskrivning av skruvar. Stora skruvar och hårda arbetsmaterial kräver högre moment än små skruvar och mjukare arbetsmaterial. Kragen kan ställas i många olika lägen, för att passa dina behov.

- ◆ För borrar i trä, metall eller plast ska kragen (3) vridas till borrläge, d.v.s. med symbolen  mitt för markeringen (21).
- ◆ För skruvdragning ställer du in kragen i önskat läge. Om du inte är säker på rätt inställning, ska du följa nedanstående instruktioner:
 - ◆ Ställ kragen (3) i det lägsta momentet.
 - ◆ Dra åt den första skruven.
 - ◆ Om kopplingen frigörs innan rätt resultat uppnås skall kraginställningen ökas. Fortsätt därefter att skruva. Repetera tills rätt inställning erhålles. Använd denna inställning för de återstående skruvarna.

HP122K(D)/HP142K(D) - Borra i murverk (fig. H & I)

- ◆ För borrar i murverk ska kragen (3) vridas till slagborrsläget, d.v.s. med symbolen  mitt för markeringen (21).
- ◆ Skjut reglaget (5) mot framsidan på verktyget (2:ans växel).

HP122K(D)/HP142K(D) - Växel med två lägen (fig. I)

- ◆ För borrar i stål och iskrivning av skruvar ska reglaget (5) skjutas mot verktygets baksida (1:ans växel).
- ◆ För borrar i andra material än stål ska växeln med två lägen (5) skjutas mot verktygets framsida (2:ans växel).

Indikator för rak borrar (fig. J)

Verktyget är försett med en indikator som gör det lättare att borra rakt. Den kan användas både horisontellt och vertikalt.

- ◆ Håll verktyget på önskat sätt.
- ◆ Håll strömbrytaren (1) en aning nedtryckt, men inte så mycket så att verktyget slås på.
- ◆ Flytta försiktigt på verktygets bakände tills den röda indikatorn (22) tänds.
- ◆ Tryck lite till på strömbrytaren för att börja borra.

HP12KD/HP14KD/HP122KD/HP142KD -**Registrering av rör eller kablar (fig. K)**

- ◆ Tag ut detektorn (23) ur hållaren (24).
- ◆ Se detektorns bruksanvisning för vidare anvisningar.

Borrning och skruvdragning (fig. A)

- ◆ Välj rotation framåt eller bakåt med reglaget (2).

- ◆ Tryck på strömbrytaren (1) för att starta verktyget. Verktygets hastighet beror på hur långt strömbrytaren trycks in.
- ◆ Släpp ut strömbrytaren för att stänga av verktyget.

Råd för bästa resultat

Borring

- ◆ Borret skall tryckas lätt och rakt ner mot arbetsstycket.
- ◆ Precis innan borret kommer ut på andra sidan av arbetsstycket skall trycket på verktyget lättas.
- ◆ Använd en träbit under arbetsstycket för att undvika splittring.
- ◆ Använd ett flatborr när hål med stor diameter borras i trä.
- ◆ Använd HSS-borr vid borring i metall.
- ◆ Använd betongborr vid borring i betong.
- ◆ Använd smörjmedel vid borring i metaller, förutom gjutjärn och mässing.
- ◆ För bättre precision ska du göra en fördjupning med en körnare i mitten av det hål som skall borras.

Skruvdragning

- ◆ Använd alltid rätt mejseltyp och storlek.
- ◆ Om det är svårt att dra åt skruven kan lite flytande tvättmedel eller två anbringas som smörjmedel.
- ◆ Håll alltid verktyget och mejseln i rak linje med skruven.

SKÖTSEL

Ditt Black & Decker verktyg har tillverkats för att fungera under lång tid med ett minimum av skötsel. Med rätt underhåll och regelbunden rengöring bibehåller verktyget sin prestanda. Laddaren behöver inget underhåll förutom regelbunden rengöring.



- ◆ Tag bort batteriet innan underhåll utförs på verktyget.
- ◆ Tag ur laddarens kontakt före rengöring.
- ◆ Rengör ventilationsöppningarna på verktyget och laddaren regelbundet med en mjuk borste eller torr trasa.

- ◆ Rengör kåpan regelbundet med en fuktig trasa. Använd aldrig lösningsmedel eller frätande rengöringsmedel.
- ◆ Öppna chocken regelbundet och knacka på den för att avlägsna eventuellt damm som hamnat inuti den.

MILJÖ

Verktyg



När ditt verktyg är utslitet, skydda naturen genom att inte slänga det tillsammans med vanligt avfall. Lämna det till de uppsamlingsställen som finns i din kommun eller där du köpt verktyget.

Batterier



Black & Decker batterierna kan laddas många gånger. Skydda miljön genom att lämna kasserade batterier till därför avsedd uppsamlingsplats.

- ◆ Låt batteriet urladdas helt och tag sedan bort det från verktyget.
- ◆ NiCd och NiMH batterier är återvinningsbara. Lämna dem till inköpsstället eller den lokala återvinningsstationen. Återlämnade batterier återvinns eller sänds till särskilda behandlingsanläggningar.

Reservdelar / reparationer

Reservdelar finns att köpa hos auktoriserade Black & Decker verkstäder, som även ger kostnadsförslag och reparerar våra produkter.

Förteckning över våra auktoriserade verkstäder finns på Internet, vår hemsida

www.blackdecker.se samt www.2helpU.com.

Garanti

Black & Decker garanterar att produkten är fri från material- och/eller fabriktionsfel vid leverans till kund. Garantin är i tillägg till konsumentens lagliga rättigheter och påverkar inte dessa. Garantin gäller inom medlemsstaterna i Europeiska Unionen och i det Europeiska Frihandelsområdet.

Tekniska data

		HP96K	HP12K(D)	HP14K(D)	HP122K(D)	HP142K(D)
Spänning	V_{DC}	9,6	12	14,4	12	14,4
Obelastad hastighet	min^{-1}	350/700	0-750	0-750	0-400/0-1.200	0-400/0-1.200
Maximalt vridmoment	Nm	10,5	11,8	12,9	23,5	26
Chuck-kapacitet	mm	10	10	10	10	10
Maximal borrkapacitet för stål/trä/murverk	mm	10/20/-	10/25/-	10/30/-	10/25/12	10/30/12
Vikt (utan batteri)	kg	1,0	1,0 (1,2)	1,3 (1,4)	1,0 (1,2)	1,3 (1,4)

Batteri		HP96K	HP12K(D)	HP14K(D)	HP122K(D)	HP142K(D)
Kat. nr. batteri		A96	A12	499936-34	A12	499936-35
Spänning	V_{DC}	9,6	12	14,4	12	14,4
Kapacitet	Ah	1,2	1,2	1,2	1,2	1,2
Vikt	kg	0,56	0,52 (0,63)	0,76	0,52	0,63

Laddare		HP96K	HP12K(D)	HP14K(D)	HP122K(D)	HP142K(D)
Spänning	V_{AC}	230	230	230	230	230
Laddningstid cirka	tim	3	3	3	1	1

Om en Black & Decker produkt går sönder på grund av material- och/eller fabriktionsfel eller brister i överensstämmelse med specifikationen, inom 24 månader från köpet, åtar sig Black & Decker att reparera eller byta ut produkten med minsta besvär för kunden.

Garantin gäller inte för fel som beror på:

- ◆ normalt slitage
- ◆ felaktig användning eller skötsel
- ◆ att produkten skadats av främmande föremål, ämnen eller genom olyckshändelse

Garantin gäller inte om reparation har utförts av någon annan än en auktoriserad Black & Decker verkstad.

För att utnyttja garantin skall produkten och inköpskvittot lämnas till återförsäljaren eller till en auktoriserad verkstad senast 2 månader efter det att felet har upptäckts. För information om närmaste auktoriserad verkstad; kontakta det lokala Black & Decker kontoret på den adress som är angiven i bruksanvisningen. En lista på alla auktoriserade verkstäder samt servicevillkor finns även tillgängligt på Internet, adress:

www.2helpU.com.

OPPLADBAR DRILL/SKRUTREKKER HP96K/ HP12K(D)/HP14K(D)/HP122K(D)/HP142K(D)

KJÆRE KUNDE!

Du har valgt et Black & Decker verktøy. Vi håper at du vil ha glede av dette verktøyet i mange år fremover.

CE-SIKKERHETSERKLÆRING

CE HP96K/HP12K(D)/HP14K(D)/HP122K(D)/HP142K(D)

Black & Decker erklærer at disse verktøyer er konstruert i henhold til:

98/37/EØF, 89/336/EØF, 73/23/EØF,
EN 50260, EN 55014, EN 60335, EN 61000

Lydnivået, målt i henhold til EN 50260:

		HP96K	HP12K(D)	HP14K(D)
L_{pA} (lydnivå)	dB(A)	71	70	75
L_{WA} (lydeffekt)	dB(A)	84	83	86

		HP122K(D)	HP142K(D)
L_{pA} (lydnivå)	dB(A)	84	82
L_{WA} (lydeffekt)	dB(A)	97	94



Bruk hørselsvern dersom lydnivået overskrider 85 dB(A).

Den veide geometriske middelverdien av vibrasjonsfrekvensen i følge EN 50260:

HP96K	HP12K(D)	HP14K(D)	HP122K(D)	HP142K(D)
< 2,5 m/s ²	< 2,5 m/s ²	< 2,5 m/s ²	6,8 m/s ²	6,0 m/s ²

Colin Willis

Director of Engineering
BDCI, 4/F, 2 Dai Wang Street
Tai Po Industrial Estate
Tai Po NT, Hong Kong

BRUKSOMRÅDER

Black & Decker drill/skrutrekker HP96K/HP12K(D)/HP14K(D) er konstruert for skruing og boring i tre, metall og plast. Black & Decker drill/skrutrekker HP122K(D)/HP142K(D) er konstruert for skruing og boring i tre, metall, plast og mur.

Verktøyet er tiltenkt kun for bruk i hjemmet.

Din Black & Decker lader er konstruert for å lade Black & Decker batterier av den typen som leveres med verktøyet.

SIKKERHETSINSTRUKSJONER

Symboler

Følgende symboler brukes i denne bruksanvisningen:



Betegner risiko for personskade, livsfare eller skade på verktøyet dersom instruksene i denne bruksanvisningen ikke følges.



Betegner risiko for elektrisk støt.



Les bruksanvisningen før du bruker verktøyet.



Brannfare.

Lær verktøyet å kjenne



- ♦ **Advarsel!** Når du bruker batteridrevne verktøy, må du følge en del grunnleggende sikkerhetsregler, se nedenfor, for å redusere faren for brann, batterilekkasjer, personskade og materiell skade.
- ♦ Ta deg tid til å lese nøye gjennom bruksanvisningen før du begynner å bruke verktøyet.

- ◆ Vær sikker på at du vet hvordan man slår av verktøyet før du begynner å bruke det.
- ◆ Oppbevar bruksanvisningen på et lett tilgjengelig sted.

Generelt

1. Hold arbeidsområdet rent og ryddig

En uryddig arbeidsplass innbyr til skader.

2. Tenk på arbeidsmiljøets innvirkning

Utsett ikke verktøyet for regn. Bruk ikke verktøyet under våte eller fuktige forhold. Pass på at arbeidsområdet er godt opplyst. Bruk ikke verktøyet hvor det er fare for forårsaking av brann eller en eksplosjon, f. eks. i nærheten av brannfarlige væsker eller gasser.

3. Hold barn unna

Barn, besøkende eller dyr må ikke komme i nærheten av arbeidsområdet eller i kontakt med verktøyet.

4. Kle deg riktig

Ha ikke på deg løstsittende klær eller smykker. De kan sette seg fast i de bevegelige delene. Vi anbefaler gummihansker og sko som ikke glir når du arbeider utendørs. Bruk hårnnett hvis du har langt hår.

5. Personlig vern

Bruk vernebriller. Bruk en ansikts- eller støvmaske når operasjonene kan forårsake støv eller flyvende partikler. Bruk ørevern når støynivået virker ukomfortabelt.

6. Strekk deg ikke for langt

Pass på at du alltid har sikkert fotfeste og balanse.

7. Vær oppmerksom

Se på det du gjør. Bruk sunn fornuft. Bruk ikke maskinen når du er trett.

8. Sikre arbeidsstykket

Bruk tvinger eller skrustikker til å feste arbeidsstykket med. Dette er sikrere enn å bruke hånden, og du får begge hendene fri til å styre verktøyet.

9. Kople til støvutsugsutstyr

Hvis det følger med utstyr for tilkopleing av støvutsug og støvoppsamling, må du sørge for at dette koples til og brukes riktig. Bruk kun industristøvsuger.

10. Fjern nøkler

Gjør det til vane å sjekke om nøkler og justeringsverktøy er fjernet før verktøyet startes.

11. Bruk riktig verktøy

Bruk ikke verktøyet til formål det ikke er ment for. Tving ikke en maskin til å gjøre arbeid som krever kraftigere verktøy. Overbelast ikke verktøyet.

Advarsel! Bruk bare tilbehør og utstyr som anbefales i bruksanvisningen og i katalogene. Bruk av annet verktøy eller tilbehør kan medføre en mulig risiko for personskade.

12. Sjekk verktøyet for skader

Kontroller verktøyet nøye for skade før bruk. Kontroller at de bevegelige delene ikke har satt seg fast eller er feilmontert. Kontroller også at de øvrige delene og beskyttelsene ikke er skadet og at det ikke foreligger noen andre feil som kan påvirke verktøyets funksjon. Kontroller at verktøyet fungerer som det skal og utfører beregnet funksjon. Bruk aldri verktøyet hvis noen av delene er skadet. Ikke bruk verktøyet hvis det ikke er mulig å slå det på og av med strømbryteren. Hvis feil oppstår skal delene repareres eller byttes ut av et autorisert Black & Decker serviceverksted. Prøv aldri å reparere selv.

13. Fjern batteriet

Ta ut batteriet når verktøyet ikke er i bruk, før du bytter noen av delene på verktøyet, tilbehør eller tilslutning og før vedlikeholdelse.

14. Unngå utilsiktet start

Bær aldri verktøyet med fingeren på strømbryteren. Pass på at verktøyet er slått av når du setter inn batteriet.

15. Ikke mislighold ledningen

Bær aldri laderen i ledningen og bruk ikke ledningen for å dra ut kontakten. Utsett ikke ledningen for varme, olje, eller skarpe kanter.

16. Oppbevar verktøy på et trygt sted

Når det ikke er i bruk, må verktøy, batteri og lader oppbevares på et tørt sted, og slik at det ikke er tilgjengelig for barn.

17. Vær nøye med vedlikeholdet

Hold verktøyet rent og bruk skarpe tilbehør for bedre prestasjon og sikrere drift. Følg forskriftene når det gjelder vedlikehold og skifte av tilbehør. Hold håndtakene og brytere tørre, rene og fri for olje og fett.

18. Reparasjoner

Dette verktøyet overholder relevante sikkerhetskrav.

Reparasjoner må bare utføres av autoriserte Black & Decker serviceverksteder som benytter originale reservedeler, ellers kan det være farlig å bruke utstyret.

Ekstra sikkerhetsforskrifter for batterier og ladere

Batterier

- ◆ Må aldri åpnes.
- ◆ Må ikke komme i kontakt med vann.
- ◆ Må ikke oppbevares på steder hvor temperaturen kan overstige 40 °C.
- ◆ Må bare lades i lufttemperaturer mellom 4 °C og 40 °C.
- ◆ Lad bare med laderen som følger med verktøyet (se tekniske data).
- ◆ Før opplading, pass på at batteriet er tørt og rent.
- ◆ Bruk bare den korrekte type batteri for verktøyet (se tekniske data).
- ◆ Når du kasserer batteriet, følger du instruksene som er gitt i seksjonen "Miljø".
- ◆ Under ekstreme forhold, kan batterilekkasje forekomme. Hvis du merker væske på batteriet, må du gjøre som følger:
 - Tørk forsiktig væsken med et tøyestykke. Unngå kontakt med huden.
 - I tilfeller hvor det oppstår kontakt med hud eller øyne, skal instruksjonene nedenfor følges.



Batterivæsken, en 25-30 % løsning av kaliumhydroksid, kan være skadelig. Hvis det oppstår berøring med hud, må du straks skylle med vann. Nøytraliser med en svak syre, f.eks. sitronsaft eller eddik. Hvis du får væsken i øynene, må du rense dem med rikelig rent vann i minst 10 minutter. Kontakt lege.



Brannfare! Unngå at metall kortslutter kontaktene på et batteri som er tatt ut (f.eks. ved oppbevaring av batteriet i en verktøyskasse).



Ikke brenn batteriet.



Bruk aldri et skadet batteri.

Ladere

- ◆ Bruk din Black & Decker lader kun sammen med det batteriet som blir levert med verktøyet. Andre typer av batterier kan eksplodere og forårsake person- og materialskader.
- ◆ Forsøk aldri å lade ikke oppladbare batterier.
- ◆ Bytt straks ut defekte ledninger.
- ◆ Må ikke komme i kontakt med vann.
- ◆ Laderen må ikke åpnes.
- ◆ Ikke skad eller mislighold laderen.



Kun tiltenkt for bruk i hjemmet.

Ekstra sikkerhetsinstruksjoner for drill/skrutrekker

- ◆ Før boring i vegger, gulv eller tak, undersøk hvor ledninger og rør befinner seg.
- ◆ Unngå å røre borspissen rett etter at du har boret, da den kan være varm.

ELEKTRISK SIKKERHET

Kontroller at spenningen til laderen tilsvarer nettspenningen.



Laderen er dobbeltisolert i samsvar med EN 60335. Jordet ledning er derfor ikke nødvendig.

HP96K/HP12K(D)/HP14K(D)



Du må aldri forsøke å bytte laderen ut med et vanlig støpsel.

OVERSIKT (fig. A)

1. Trinnløs strømbryter (HP12K(D)/HP14K(D)/HP122K(D)/HP142K(D))
1. Strøm- og hastighetsbryter (HP96K)
2. Bryter for høyre-/venstregange
3. Momentkontroll
4. Chuck
5. Gearvelger (HP122K(D)/HP142K(D))
6. Indikator for batterilading (HP96K/HP12K/HP14K/HP122K/HP142K)
7. Indikator for rett boring
8. Bitsholder

9. Batteri
10. Utløserknapp for batteriet
11. Lader (HP96K/HP12K(D)/HP14K(D))
12. Holder for batterilader
(HP96K/HP12K(D)/HP14K(D))
13. Lader (HP122K(D)/HP142K(D))
14. Ladingsindikator - lading pågår
(HP122K(D)/HP142K(D))
15. Ladingsindikator - lading fullført
(HP122K(D)/HP142K(D))

MONTERING

Sette i og ta ut batteriet (fig. B)

- ◆ For å sette i batteriet (9), hold dette på høyde med holderen på verktøyet. Skyv batteriet inn i holderen og trykk til det er på plass.
- ◆ Når du skal fjerne batteriet, trykker du på de to løseknappene (10) samtidig, mens du drar batteriet ut av holderen.

Montering og fjerning av bor og bits (fig. A & D)

Dette verktøyet er utstyrt med en nøkkelfri chuck for å forenkle skifting av bor og bits.

- ◆ Lås verktøyet ved å stille bryteren for høyre-/venstregange (2) på midtstillingen (fig. A).
- ◆ Du åpner chucken ved å dreie den fremste delen (16) med den ene hånden, mens du holder i den bakerste delen (17) med den andre (fig. C).
- ◆ Sett tilbehøret (18) inn i chucken.
- ◆ Skru chucken godt fast ved å dreie den fremre delen (16) med den ene hånden mens du holder den bakre delen (17) med den andre.

Dette verktøyet leveres med en tosidig bits i bitsholderen (8) (fig. A).

- ◆ For å fjerne bitsen, løft den ut av holderen.
- ◆ For å oppbevare bitsen, trykk den godt inn i holderen.

HP12KD/HP14KD/HP122KD/HP142KD -

Festing av detektoren (fig. K)

Verktøyet er utstyrt med et feste, der detektoren (23) kan oppbevares når den ikke er i bruk.

- ◆ Fest enheten til holderen (24) som vist.

ANVENDELSE



La verktøyet jobbe i sin egen hastighet. Ikke overbelast.

Lading av batteriet

Batteriet må lades før første gangs bruk og alltid når verktøyet ikke lenger fungerer effektivt. Når batteriet lades for første gang, eller etter at det ikke har vært brukt i en periode, er ladekapasiteten kun 80%. Etter flere ladings- og utladingsperioder, vil batteriet oppnå full kapasitet. Batteriet kan bli varmt mens det lades; dette er normalt og indikerer ikke at noe er feil.



Lad ikke batteriet hvis lufttemperaturen er under 4 °C eller over 40 °C. Anbefalt ladingstemperatur: ca. 24 °C.

HP96K/HP12K(D)/HP14K(D) (fig. D)

- ◆ Når du skal lade batteriet (9), må du fjerne det fra verktøyet.
 - ◆ Skyv laderen (12) på batteriet som vist.
 - ◆ Koble laderen til stikkkontakten (11).
- Batteriet blir varmt under lading. Etter om lag 3 timers lading vil batteriet være helt oppladet.
- ◆ Fjern laderen fra batteriet.

HP122K(D)/HP142K(D) (fig. E)

- ◆ For å lade batteriet (9), ta det ut av verktøyet og sett det inn i laderen (13) på. Det er bare en måte å plassere batteriet inn i laderen på. Ikke bruk makt. Pass på at batteriet ligger ordentlig på plass i laderen.
- ◆ Sett laderens kontakt i vegguttaket.
- ◆ Sjekk om den røde ladeindikatoren (14) lyser. Hvis den grønne ladeindikatoren (15) lyser istedenfor, er batteriet for varmt og kan ikke lades. Hvis dette skjer, ta batteriet ut av laderen, la det avkjøles i 1 time og sett det inn igjen.

Etter ca. 1 times lading vil den røde ladeindikatoren (13) slukke, og den grønne ladeindikatoren (14) vil lyse. Batteriet er nå ferdig oppladet.

- ◆ Ta batteriet ut av laderen.

HP96K/HP12K/HP14K/HP122K/HP142K -

Sjekk av batteriets tilstand (fig. F)

Dette verktøyet er utstyrt med en indikator for batterilading, som kan brukes til å sjekke tilstanden til batteriet.

- ◆ Trykk og hold nede knappen (19).
- ◆ Se etter hvor mange av lampene (20) som lyser:

Batterilading

1 lampe lav kapasitet

2 lamper middels kapasitet

3 lamper høy kapasitet


Valg av rotasjonsretning (fig. G)

For boring og skruing skal verktøyet rotere forover (med urviseren). For å løsne skruer eller fjerne et bor bruker du bakover rotasjon (mot urviseren).


- ◆ For å velge forover rotering, trykk bryteren for høyre-/venstregange (2) til venstre.
- ◆ For å velge bakover rotasjon, trykk bryteren for høyre-/venstregange til høyre.
- ◆ For å låse verktøyet, still bryteren for høyre-/venstregange i midtstilling.

Valg av funksjon eller vrimoment (fig. H)

Dette verktøyet er utstyrt med en justering for valg av funksjon og for innstilling av vrimomentet for skruer. Store skruer og harde materialer krever en høyere innstilling av vrimomentet enn små skruer og myke materialer. Justeringen har en lang rekke innstillinger som passer til ditt bruk.

- ◆ For boring i tre, metall og plast, still justeringen (3) inn på boreposisjon ved å sette boresymbolet  på linje med merket (21).
- ◆ For skruing, still justeringen på den ønskede innstillingen. Hvis du ikke kjenner den egnede innstillingen, gjør du slik:
 - ◆ Sett justeringen (3) på den laveste innstillingen for vrimoment.
 - ◆ Stram den første skruen.
 - ◆ Hvis koplingen sperres før det ønskede resultatet er oppnådd, øk innstillingen på justeringen og fortsett å stramme skruen. Gjenta dette til du har oppnådd den korrekte innstillingen. Bruk denne innstillingen for de resterende skruene.

HP122K(D)/HP142K(D) - Boring i mur (fig. H & I)

- ◆ For boring i mur, still justeringen inn (3) på slagborposisjon ved å sette symbolet  på linje med merket (21).
- ◆ Skyv gearvelgeren (5) mot fronten av verktøyet (2. gear).

HP122K(D)/HP142K(D) - Gearvelger (fig. I)

- ◆ For boring i stål og for skruing, skyv gearvelgeren (5) bakover på verktøyet (1. gear).
- ◆ For boring i andre materialer enn stål, skyv gearvelgeren (5) fremover på verktøyet (2. gear).

Indikator for rett boring (fig. J)

Dette verktøyet er utstyrt med en indikator som gjør det lettere å bore rett. Denne funksjonen kan brukes både i vannrett og loddrett stilling.

- ◆ Sett verktøyet i ønsket stilling.
- ◆ Trykk bryteren (1) så vidt inn, uten å starte verktøyet.
- ◆ Beveg bakre ende av verktøyet til den røde indikatoren (22) lyser.
- ◆ Trykk bryteren lengre inn for å starte boringen.

HP12KD/HP14KD/HP122KD/HP142KD -

Deteksjon av rør eller ledninger (fig. K)

- ◆ Ta detektoren (23) ut av holderen (24).
- ◆ Slå opp i bruksanvisningen for detektoren for videre instruksjoner.

Boring/skruing (fig. A)

- ◆ Velg forover- eller bakoverrotasjon ved hjelp av bryteren for høyre-/venstregange (2).
- ◆ For å slå verktøyet på, trykk inn strømbryteren (1). Verktøyets hastighet er avhengig av hvor langt inn du trykker bryteren.
- ◆ For å slå verktøyet av, slipp bryteren.

Råd for optimalt resultat

Boring

- ◆ Boret skal trykkes lett og rett ned mot arbeidsstykket.
- ◆ Like før boret bryter igjennom på den andre siden av arbeidsstykket, slipper du trykket litt.
- ◆ Bruk et trestykke på baksiden for å sikre arbeidsstykker som kan splintre.

- ◆ Bruk et flatbor når du borer hull med stor diameter i tre.
- ◆ Bruk HSS-bor når du borer i metall.
- ◆ Bruk betongbor når du borer i betong.
- ◆ Bruk smøremiddel når du borer i metall utenom støpejern eller messing.
- ◆ For bedre presisjon: lag en fordykning med en kjører i midten av hullet som skal bores.

- ◆ Trekk ut kontakten når laderen skal gjøres ren.

- ◆ Rengjør regelmessig ventilasjonsåpningene på verktøyet og laderen med en bløt børste eller en tørr klut.
- ◆ Rengjør kåpen regelmessig med en fuktig klut. Ikke bruk etsende eller løsemiddelbaserte rengjøringsmidler.
- ◆ Åpne opp chucken regelmessig og slå lett på den for å fjerne eventuelt støv fra innsiden.

Skruing

- ◆ Bruk alltid riktig type og størrelse på bitsen.
- ◆ Hvis det er vanskelig å stramme skruene, kan du forsøke å bruke litt flytende vaskemiddel eller såpe som smøremiddel.
- ◆ Hold alltid verktøyet og bitsen i rett linje med skruen.

VEDLIKEHOLD

Ditt Black & Decker verktøy har blitt utformet for å være i drift over en lang periode med et minimum av vedlikeholdelse. Ved riktig vedlikehold og regelmessig rengjøring beholder verktøyet sin prestasjon.

Laderen din behøver ikke annet vedlikehold enn at du tørker over den med jevne mellomrom.



- ◆ Før det utføres noen form for vedlikehold av verktøyet, må batteriet tas ut.

MILJØ

Verktøy



Når verktøyet ditt er utslitt, beskytt naturen ved ikke å kaste det sammen med annet vanlig avfall. Lever det til kildesortering eller der du kjøpte verktøyet.

Batterier



Black & Decker batterier kan lades mange ganger. Beskytt miljøet ved å levere kasserte batterier til kildesortering:

- ◆ Kjør batteriet til det er helt flatt, ta det så ut av verktøyet.

Tekniske data

		HP96K	HP12K(D)	HP14K(D)	HP122K(D)	HP142K(D)
Spenning	V_{DC}	9,6	12	14,4	12	14,4
Hastighet ubelastet	min^{-1}	350/700	0-750	0-750	0-400/0-1.200	0-400/0-1.200
Maks. dreiemoment	Nm	10,5	11,8	12,9	23,5	26
Chuck-kapasitet	mm	10	10	10	10	10
Maks. borekap. i stål/tre/mur	mm	10/20/-	10/25/-	10/30/-	10/25/12	10/30/12
Vekt (uten batteri)	kg	1,0	1,0 (1,2)	1,3 (1,4)	1,0 (1,2)	1,3 (1,4)

Batteri		HP96K	HP12K(D)	HP14K(D)	HP122K(D)	HP142K(D)
Kat.nr. batteri		A96	A12	499936-34	A12	499936-35
Spenning	V_{DC}	9,6	12	14,4	12	14,4
Kapasitet	Ah	1,2	1,2	1,2	1,2	1,2
Vekt	kg	0,56	0,52 (0,63)	0,76	0,52	0,63

Lader		HP96K	HP12K(D)	HP14K(D)	HP122K(D)	HP142K(D)
Spenning	V_{AC}	230	230	230	230	230
Ladetid, ca	timer	3	3	3	1	1

- ◆ NiCd og NiMH batterier kan resirkuleres. Ta dem med til din forhandler eller din lokale kildesortering. Batteriene vil da bli resirkulert eller tatt hånd om på en miljøvennlig måte.

Reservdeler / reparasjoner

Reservdeler kan kjøpes hos autoriserte Black & Decker serviceverksteder, som også gir kostnadsoverslag og reparerer våre produkter.

Oversikt over våre autoriserte serviceverksteder finnes på Internet, vår hjemmeside www.blackdecker.no samt www.2helpU.com.

Garanti

Black & Decker garanterer at produktet ikke har material- og/eller fabrikkasjonsfeil ved levering til kunde. Garantien er i tillegg til kundens lovlige rettigheter og påvirker ikke disse. Garantien gjelder innen medlemsstatene i den Europeiske Unionen og i det Europeiske Frihandelsområdet.

Hvis et Black & Decker produkt går i stykker på grunn av material- og/eller fabrikkasjonsfeil eller har mangler i forhold til spesifikasjonene, innen 24 måneder fra kjøpet, påtar Black & Decker seg å reparere eller bytte ut produktet med minst mulig vanskelighet for kunden.

Garantien gjelder ikke for feil som kommer av:

- ◆ normal slittasje
- ◆ feilaktig bruk eller vedlikehold (mislighold)
- ◆ at produktet har blitt skadet av fremmede gjenstander, emner eller ved et uhell

Det gjøres oppmerksom på at produktet ikke er beregnet på industriell/profesjonell/yrkesmessig bruk, men til hus- og hjemmebruk.

Garantien gjelder ikke om reparasjoner har blitt utført av noen andre enn et autorisert Black & Decker serviceverksted.

For å ta garantien i bruk skal produktet og kjøpekvittering leveres til forhandleren eller til et autorisert serviceverksted senest 2 måneder etter at feilen har blitt oppdaget. For informasjon om nærmeste autoriserte serviceverksted; kontakt det lokale Black & Decker kontoret på den adressen som er angitt i bruksanvisningen. En oversikt over alle autoriserte serviceverksteder samt servicevilkår finnes også tilgjengelig på Internet, adresse: www.2helpU.com.

AKKU BOREMASKINE/SKRUETRÆKKER HP96K/HP12K(D)/HP14K(D)/HP122K(D)/ HP142K(D)

Tak fordi du valgte Black & Decker. Vi håber at du får glæde af dette værktøj i mange år fremover.

EU-OVERENSSTEMMELSESEKTLÆRING



HP96K/HP12K(D)/HP14K(D)/HP122K(D)/HP142K(D)

Black & Decker erklærer at disse værktøjer er konstrueret i henhold til:

98/37/EØF, 89/336/EØF, 73/23/EØF,
EN 50260, EN 55014, EN 60335, EN 61000

Lydniveauet målt i henhold til EN 50260:

		HP96K	HP12K(D)	HP14K(D)
L_{pA} (lydniveau)	dB(A)	71	70	75
L_{WA} (akustisk styrke)	dB(A)	84	83	86

		HP96K	HP12K(D)
L_{pA} (lydniveau)	dB(A)	84	82
L_{WA} (akustisk styrke)	dB(A)	97	94



Anvend høreværn, hvis lydniveauet overstiger 85 dB(A).

Den vægtede geometriske middelværdi af accelerationsfrekvensen i henhold til EN 50260:

HP96K	HP12K(D)	HP14K(D)	HP122K(D)	HP142K(D)
< 2,5 m/s ²	< 2,5 m/s ²	< 2,5 m/s ²	6,8 m/s ²	6,0 m/s ²

Colin Wills

Director of Engineering
BDCL, 4/F, 2 Dai Wang Street
Tai Po Industrial Estate
Tai Po NT, Hong Kong

ANVENDELSESOMRÅDE

Din Black & Decker boremaskine/skrueetrækker HP96K/HP12K(D)/HP14K(D) er designet til skrueopgaver og til boring i træ, metal og plastik. Din Black & Decker boremaskine/skrueetrækker HP122K(D)/HP142K(D) er designet til skrueopgaver og til boring i træ, metal, plastik og blødt murværk.

Værktøjet er kun beregnet til privat brug.

Black & Decker laderen er designet til opladning af samme Black & Decker batterier, som leveres med dette værktøj.

SIKKERHEDSINSTRUKTIONER

Piktogrammer

Følgende piktogrammer anvendes i denne brugsanvisning:



Angiver risiko for personskade, livsfare eller ødelæggelse af værktøjet, hvis brugsanvisningens instruktioner ikke følges.



Angiver risiko for elektrisk stød.



Læs brugsanvisningen igennem, inden værktøjet tages i brug.



Brandfare.

Lær værktøjet at kende



- ◆ **Advarsel!** Ved brug af batteridrevet værktøj skal de grundlæggende sikkerhedsforanstaltninger, herunder de følgende, altid følges, således at risikoen for brand, lækkende batterier og person- og materialeskader begrænses.
- ◆ Læs denne brugsanvisning igennem, inden værktøjet tages i brug.
- ◆ Du skal sikre dig, at du ved, hvordan værktøjet slukkes, inden det tages i brug.
- ◆ Opbevar brugsanvisningen let tilgængeligt.

Generelt

1. Hold arbejdsområdet i orden

Uordentlige arbejdsområder og arbejdsbænke indbyder til skader.

2. Tænk på arbejdsmiljøets indflydelse

Udsæt ikke værktøjet for regn. Anvend ikke værktøjet på fugtige eller våde pladser. Sørg for en god belysning over arbejdsområdet. Anvend ikke værktøjet hvor der eksisterer risiko for at brand kan opstå eller eksplosioner forekomme, som følge af brug af værktøjet. F. eks. aldrig i nærheden af let antændelige væsker eller gasser.

3. Hold børnene på afstand

Børn, besøgende eller dyr må ikke nærme sig arbejdsområdet eller røre ved værktøjet.

4. Klæd dig rigtigt på

Bær ikke løst hængende tøj eller smykker. De kan sidde fast i bevægelige dele. Gummihandsker og skridsikre sko anbefales ved udendørs arbejde. Brug håret, hvis du har langt hår.

5. Personlig beskyttelse

Brug beskyttelsesbriller. Brug ansigts- eller støvmaske, når brug af værktøjet kan medføre støv eller flyvende partikler. Brug høreværn, når lydniveauet virker generende.

6. Stræk dig ikke for meget

Sørg for, at du altid har sikkert fodfæste og balance.

7. Vær opmærksom

Se på det, du gør. Brug din sunde fornuft. Brug ikke værktøjet, når du er træt.

8. Sæt arbejdsemnet fast

Brug skruetvinger eller skruestik for at spænde arbejdsemnet fast. Det er sikrere end at bruge hånden, og du får begge hænder fri til arbejdet.

9. Tilslut støvudsugningsudstyret

Hvis der findes enheder til tilslutningsfunktionerne støvudsugning og støvopsamling, skal man sørge for, at disse tilsluttes og bruges korrekt.

10. Fjern nøglerne

Kontroller at nøgler og justerværktøj er fjernet fra værktøjet, inden det startes.

11. Brug det rigtige værktøj

Brugen af værktøjet er beskrevet i denne brugsanvisning. Tving ikke elværktøj til at udføre arbejde, som er beregnet til kraftigere værktøj. Brug kun tilbehør og dele, der er anbefalet i brugsanvisningen og katalogerne. Værktøjet må ikke forceres.

Advarsel! Anvendelsen af andet tilbehør eller udførelse af opgaver med andet værktøj end det her anbefalede kan medføre risiko for personskader.

12. Kontrollér værktøjet for skader

Kontrollér omhyggeligt værktøjet for beskadigelser, før du bruger det. Check de bevægelige dele for skæv indstilling og sammenbrændinger, kontrollér for brud på dele, skader på skærme og kontakter samt alt andet, der kan påvirke værktøjets funktion. Kontrollér, at værktøjet fungerer rigtigt og kan udføre det arbejde, det er beregnet til. Værktøjet må ikke benyttes, hvis en af delene er beskadiget eller defekt. Brug ikke værktøjet, hvis det ikke kan tændes og slukkes ved afbryderen. Skadede eller defekte dele skal repareres eller udskiftes af en autoriseret tekniker. Man må aldrig forsøge selv at reparere værktøjet.

13. Fjern batteriet

Fjern batteriet når værktøjet er ude af brug og før udskiftning af enhver værktøjsdel, tilbehør eller andet udstyr.

14. Undgå utilsigtet start af værktøjet

Man må ikke bære værktøjet med en finger på tænd/sluk knappen. Kontrollér at værktøjet er slukket, når du sætter et batteri i værktøjet.

15. Vær forsigtig med ledningen

Laderen må aldrig bæres i ledningen eller tages ud af stikkontakten ved at rive i ledningen. Ledningen skal holdes på afstand fra varme, olie og skarpe kanter.

16. Opbevar værktøjet sikkert, når det ikke bruges

Når værktøj, batterier og oplader ikke er i brug, skal de opbevares indelåst eller højt placeret et tørt sted uden for børns rækkevidde.

17. Vedligehold værktøjet omhyggeligt

Skærende værktøj skal holdes skarpe og rene, for på denne måde at opnå et bedre og mere sikkert brug. Følg vedligeholdelsesvejledningen samt vejledningen til udskiftning af tilbehør. Hold håndtagene og knapperne tørre, rene og fri for olie og fedt.

18. Reparationer

Dette værktøj opfylder de relevante sikkerhedskrav. Reparationer må kun foretages af dertil kvalificerede personer, som bruger originale reservedele. I modsat fald kan der opstå betydelig fare for brugeren.

Yderligere sikkerhedsanvisninger til batterier og ladere

Batterier

- ◆ Man må aldrig åbne et batteri.
- ◆ Det må ikke udsættes for vand.
- ◆ Det må ikke opbevares i lokaler, hvor temperaturen overstiger 40 °C.
- ◆ Det må kun oplades ved omgivelsestemperaturer mellem 4 °C og 40 °C.
- ◆ Oplad kun med den vedlagte lader (se tekniske data).
- ◆ Før opladning skal man sikre sig, at batteriet er tørt og rent.
- ◆ Benyt kun de til værktøjet beregnede batterier (se tekniske data).
- ◆ Ved kassering af batterier, skal man følge vejledningen givet i afsnittet "Miljø".
- ◆ Under ekstreme forhold kan der forekomme batteriutætheder. Hvis man opdager væske på batteriet, skal man gå frem på følgende måde:
 - Tør forsigtigt væsken af med en klud.
 - Undgå kontakt med huden.

- I tilfælde af at væsken kommer i kontakt med huden, skal man følge nedenstående vejledning.



Batterivæsken, en 25-30% opløsning af kaliumhydroksid, kan være skadelig. Ved hudkontakt skal der omgående skylles med vand. Neutraliser med en mild syre såsom citronsaft eller eddike. Ved øjenkontakt skylles med rigeligt vand i mindst 10 minutter. Opsøg læge.



Brandfare. Undgå at kortslutte kontakterne på et frakoblet batteri med metalgenstande (ved f.eks. at have nøgler i samme lomme som batteriet).



Brænd ikke batteriet.



Oplad ikke et beskadiget batteri.

Ladere

- ◆ Din Black & Decker lader må kun benyttes til Black & Decker batterier af samme slags, som de med værktøjet leverede batterier. Andre batterier kan eksplodere og medføre personskeer.
- ◆ Man må aldrig forsøge at oplade ikke opladelige batterier.
- ◆ Defekte ledninger skal straks udskiftes.
- ◆ Må ikke udsættes for vand.
- ◆ Laderen må ikke åbnes.
- ◆ Laderen må ikke manipuleres.



Kun beregnet til indendørs brug.

Yderligere sikkerhedsvejledninger til kombineret boremaskine/skruestrækker

- ◆ Før man borer i vægge, gulve eller lofte, skal man checke ledningers samt rørs placering.
- ◆ Man skal undgå at røre borespidsen lige efter, at man har boret, idet den kan være varm.

ELEKTRISK SIKKERHED

Kontroller, om laderens spænding svarer til lysnettets spænding.



Laderen er dobbelt isoleret i henhold til EN 60335; jordledning er derfor ikke påkrævet.

HP96K/HP12K(D)/HP14K(D)



Forsøg aldrig at udskifte laderenheden med et almindeligt netstik.

OVERSIGT (fig. A)

1. Afbryder med variabel hastighedskontrol (HP12K(D)/HP14K(D)/HP122K(D)/HP142K(D))
1. Afbryder med to hastigheder (HP96K)
2. Højre/venstre omskifter
3. Funktionsvælger / krave til vridmomentjustering
4. Borepatron
5. Vælger med to gear (HP122K(D)/HP142K(D))
6. Batteriopladningsviser (HP96K/HP12K/HP14K/HP122K/HP142K)
7. Viser til lige boring
8. Bitsholder
9. Batteri
10. Batteri-udløserknop
11. Lader (HP96K/HP12K(D)/HP14K(D))
12. Opladerholder (HP96K/HP12K(D)/HP14K(D))
13. Lader (HP122K(D)/HP142K(D))
14. Opladningsindikator - "ladning i gang" (HP122K(D)/HP142K(D))
15. Opladningsindikator - "fuld ladning" (HP122K(D)/HP142K(D))

MONTERING

Isætning og fjernelse af batteriet (fig. B)

- ◆ For at sætte batteriet (9) i holdes det på linje med værktøjets batteriholder. Dernæst placeres batteriet i holderen og skubbes på plads.
- ◆ For at fjerne batteriet trykkes der på udløserknappen (10) samtidig med, at batteriet tages ud af batteriholderen.

Montering og demontering af borebits eller skruetrækkerbits (fig. A & C)

Værktøjet er udstyret med en selvspændende patron for at lette udskiftning af bits.

- ◆ Fastlås værktøjet ved at sætte højre/venstre omskifteren (2) i midterposition (fig. A).
- ◆ Åbn patronen ved at dreje frontdelen (16) med den ene hånd, mens bagenden (17) holdes med den anden (fig. C).
- ◆ Sæt bitsskafte (18) ind i patronen.
- ◆ Stram patronen ved at dreje frontdelen (16) med den ene hånd, mens bagenden (17) holdes med den anden.

Værktøjet er udstyret med en dobbelt skruetrækkerbits i bitsholderen (8) (fig. A).

- ◆ For at fjerne skruetrækkerbitsen fra bitsholderen skal den løftes ud af holderen.
- ◆ For at gemme skruetrækkerbitsen skubbes den ind i holderen.

HP12KD/HP14KD/HP122KD/HP142KD -

Montering af detektoren (fig. K)

Monteringsstedet på værktøjet er dér, hvor detektoren (23) opbevares, når den ikke er i brug.

- ◆ Hæng enheden på holderen (24) som vist.

ANVENDELSE



Lad værktøjet arbejde i dets eget tempo. Man må ikke overbelaste det.

Opladning af batteriet

Batteriet skal oplades, før det tages i brug for første gang, samt når det ikke er i stand til at fremskaffe tilstrækkelig kraft til opgaver, som normalt udføres uden besvær. Når batteriet oplades for første gang eller efter en længere periode uden at være brugt, kan det kun oplades 80%. Efter adskillige opladnings- og afladningsperioder opnår batteriet fuld kapacitet. Batteriet kan blive opvarmet under opladning; dette er normalt og er ikke ensbetydende med, at der er problemer.



Batteriet må ikke oplades i omgivelsestemperaturer på under 4 °C eller over 40 °C. Anbefalet opladningstemperatur: ca. 24 °C.

HP96K/HP12K(D)/HP14K(D) (fig. D)

- ◆ Oplad batteriet (9) ved at fjerne det fra værktøjet.
- ◆ Skub opladerholderen (12) hen på batteriet som vist.
- ◆ Sæt opladeren (11) i stikkontakten.

Batteriet bliver varmt under opladningen. Efter ca. 3 timers opladning er batteriet fuldt opladet.

- ◆ Fjern opladerholderen fra batteriet.

HP122K(D)/HP142K(D) (fig. E)

- ◆ For at oplade batteriet (9), fjernes det fra værktøjet og sættes ind i laderen (13). Batteriet kan kun sættes ind på én måde. Man må ikke tvinge det. Man skal sikre sig, at batteriet er fuldstændig indsat i laderen.
- ◆ Sæt laderen i stikkontakten.
- ◆ Check, om den røde opladningsviser (14) lyser. Hvis den grønne ende af opladningsviseren (15) lyser, betyder det, at batteriet er for varmt og derfor ikke kan oplades. Hvis dette sker, fjernes batteriet fra opladeren og køles ned i ca. 1 time, hvorefter det kan sættes i laderen igen.

Efter ca. 1 times opladning holder den røde opladningsviser (14) op med at lyse, og den grønne ende af opladningsviseren (15) lyser. Batteriet er nu fuldt opladet.

- ◆ Fjern batteriet fra laderen.

HP96K/HP12K/HP14K/HP122K/HP142K -**Kontrol af batteriets tilstand (fig. F)**

Dette værktøj er udstyret med en batteriopladningsviser, hvormed du kan kontrollere batteriets tilstand.

- ◆ Tryk på knappen (19), og hold den nede.
- ◆ Kontrollér, hvor mange af lamperne (20) der lyser:

Batteriopladning

1 lampe lav

2 lamper medium

3 lamper høj

Valg af rotationsretning (fig. G)


Til boring og stramning af skruer benyttes højrotation (med uret). For at løsne skruer eller fjerne blokerede borebits drejes i den modsatte retning (mod uret).

- ◆ For at vælge højrotation skydes højre/venstre omskifteren (2) til venstre.

- ◆ For at vælge venstrerotation skydes højre/venstre omskifteren til højre.
- ◆ For at låse værktøjet sættes højre/venstre omskifteren i midten.


Valg af funktionstilstand eller vridmoment (fig. H)

Værktøjet er udstyret med en krave til valg af funktionstilstanden og til indstilling af vridmomentet til stramning af skruer. Store skruer og hårde arbejdsemner kræver en højere vridmomentindstilling end små skruer og bløde arbejdsemner. Kraven har mange indstillinger til ethvert behov.

- ◆ Hvis man ønsker at bore i træ, metal og plastik, indstilles kraven (3) på borepositionen ved at sætte symbolet  ud for markeringen (21).
- ◆ Hvis man ønsker at skrue skruer, indstilles kraven på den ønskede position. Hvis ikke man kender den korrekte indstilling, skal man gå frem som nedenfor beskrevet:
 - ◆ Indstil kraven (3) på det laveste vridmoment.
 - ◆ Stram den første skrue.
 - ◆ Hvis ikke man opnår det ønskede resultat, øges kravens indstilling, og man fortsætter med at stramme skruen. Proceduren gentages, indtil man opnår det ønskede resultat. Denne indstilling benyttes til resten af skrueerne.

HP122K(D)/HP142K(D) - Boring i murværk

(fig. H & I)

- ◆ Hvis man ønsker at bore i murværk, indstilles kraven (3) på hammerboringspositionen ved at sætte symbolet  ud for markeringen (21).
- ◆ Skyd to-gearsvælgeren (5) hen mod forenden af værktøjet (2. gear).

HP122K(D)/HP142K(D) - Vælger med to gear (fig. I)

- ◆ Skyd to-gearsvælgeren (5) hen mod bagenden af værktøjet (1. gear) for at bore i stål og for at skrue skruer i.
- ◆ Skyd to-gearsvælgeren (5) hen mod forenden af værktøjet (2. gear) for at bore i alle andre materialer end stål.

Viser til lige boring (fig. J)

Værktøjet er udstyret med en indikator for at vise en lige boring. Denne funktion kan benyttes både vandret og lodret.

- ◆ Hold værktøjet i den ønskede stilling.

- ◆ Hold afbryderen (1) let inde uden at tænde for værktøjet.
- ◆ Flyt langsomt bagenden af værktøjet, til den røde viser (22) lyser.
- ◆ Tryk yderligere på afbryderen for at starte boringen.

HP12KD/HP14KD/HP122KD/HP142KD - Detektering af rør eller ledninger (fig. K)

- ◆ Tag detektoren (23) ud af holderen (24).
- ◆ Der findes flere oplysninger i detektormanualen.

Boring/skruetrækning (fig. A)

- ◆ Man vælger højre- eller venstrerotation ved hjælp af højre/venstre omskifteren (2).
- ◆ For at tænde værktøjet trykkes på afbryderen (1). Værktøjets hastighed afhænger af, hvor langt ned man trykker afbryderen.
- ◆ Sluk for værktøjet ved at slippe afbryderkontakten.

Gode råd til optimalt brug

Boring

- ◆ Man skal altid trykke let nedad i lige linie med borebitsen.
- ◆ Lige før borespidsen går igennem arbejdsemnets bagside, lettes trykket på værktøjet.
- ◆ Benyt en trækloids til at støtte bagsiden af arbejdsemner, som kan splintre.
- ◆ Benyt spadebits, når der bores huller med stor diameter i træ.
- ◆ Benyt HSS borebits, når der bores i metal.
- ◆ Benyt murbits til boring i blødt murværk.
- ◆ Benyt smøremiddel, når der bores i metal, som ikke er støbejern eller messing.
- ◆ Lav et prøvehul ved at benytte en kørner i centrum af det hul, som skal bores, for således at forbedre nøjagtigheden.

Anvendelse som skruetrækker

- ◆ Man skal altid benytte skruetrækkerbits af korrekt type og størrelse.
- ◆ Hvis skrueerne er svære at stramme, kan man påsmøre en smule sæbe som smøremiddel.
- ◆ Værktøjet og skruetrækkerbitsen skal altid holdes lige på skruen.

VEDLIGEHOLDELSE

Deres Black & Decker værktøj er designet til at være i drift gennem en længere periode med en minimal vedligeholdelse. Fortsat tilfredsstillende drift afhænger af en korrekt behandling af værktøjet samt regelmæssig rengøring. Laderen kræver ingen anden vedligeholdelse end regelmæssig rengøring.



- ◆ Før udførelse af vedligeholdelsesopgaver på værktøjet, skal batteriet fjernes.
- ◆ Tag laderen ud af stikkontakten før den rengøres.

- ◆ Man skal regelmæssigt rengøre værktøjets ventilationshuller og oplader med en blød børste eller en tør klud.
- ◆ Man skal regelmæssigt rengøre motorkassen med en fugtig klud. Man må ikke benytte slibemidler eller opløsningsmidler.
- ◆ Man skal regelmæssigt åbne patronen og banke den let for på denne måde at fjerne støv fra dens indre.

MILJØ

Værktøj



Når dit værktøj er slidt op, beskyt da naturen ved ikke at kaste det bort sammen med almindeligt affald. Aflever det til et opsamlingssted i din kommune eller til et Black & Decker serviceværksted.

Batterier



Black & Decker batterier kan oplades mange gange. Ved endt teknisk levetid skal man kassere dem med omtanke for miljøet:

- ◆ Aflad batteriet fuldstændigt, og fjern det derefter fra værktøjet.
- ◆ NiCd og NiMH batterier kan genbruges. Bring dem til Deres forhandler eller en lokal genbrugscentral. Indsamlede batterier vil blive genbrugt eller kasseret på korrekt vis.

Reserve dele / reparationer

Reserve dele kan købes hos autoriserede Black & Decker serviceværksteder, som giver forslag til omkostninger og reparerer vore produkter. Oversigt over vore autoriserede værksteder findes på internettet på vor hjemmeside www.blackdecker.dk samt www.2helpU.com.

Garanti

Black & Decker garanterer, at produktet er fri for materielle skader og/eller fabrikationsfejl ved levering til kunden. Garantien er et tillæg til konsumentens lovlige rettigheder og påvirker ikke disse. Garantien gælder indenfor medlemsstaterne af den Europæiske Union og i det Europæiske Frihandelsområde.

Hvis et Black & Decker produkt går i stykker på grund af materiel skade og/eller fabrikationsfejl eller på anden måde ikke fungerer i overensstemmelse med specifikationen, inden for 24 måneder fra købsdatoen, påtager Black & Decker sig at reparere eller ombytte produktet med mindst muligt besvær for kunden.

Garantien gælder ikke for fejl og mangler, der er sket i forbindelse med:

- ◆ normal slitage
- ◆ uheldige følger efter unormal anvendelse af værktøjet
- ◆ overbelastning, hæværk eller overdrevent intensivt brug af værktøjet
- ◆ ulykkeshændelse

Garantien gælder ikke hvis reparationer er udført af nogen anden end et autoriseret Black & Decker værksted.

For at udnytte garantien skal produktet og købskvitteringen indleveres til forhandleren eller til et autoriseret værksted, senest 2 måneder efter at fejlen opdages. For information om nærmeste autoriserede værksted: kontakt det lokale Black & Decker kontor på den adresse som er opgivet i brugsanvisningen. Liste over alle autoriserede Black & Decker serviceværksteder samt servicevilkår er tilgængelig på internettet, på adressen www.2helpU.com.

Tekniske data

		HP96K	HP12K(D)	HP14K(D)	HP122K(D)	HP142K(D)
Spænding	V_{DC}	9,6	12 14,4	12	14,4	
Ubelastet hastighed	min^{-1}	350/700	0-750	0-750	0-400/0-1.200	0-400/0-1.200
Max. vridmoment	Nm	10,5	11,8	12,9	23,5	26
Patronkapacitet	mm	10	10 10	10	10	
Max. borekapacitet i stål/træ/murværk	mm	10/20/-	10/25/-	10/30/-	10/25/12	10/30/12
Vægt (uden batteri)	kg	1,0	1,0 (1,2)	1,3 (1,4)	1,0 (1,2)	1,3 (1,4)

Batteri		HP96K	HP12K(D)	HP14K(D)	HP122K(D)	HP142K(D)
Kat. nr. batteri		A96	A12	499936-34	A12	499936-35
Spænding	V_{DC}	9,6	12	14,4	12	14,4
Kapacitet	Ah	1,2	1,2	1,2	1,2	1,2
Vægt	kg	0,56	0,52 (0,63)	0,76	0,52	0,63

Lader		HP96K	HP12K(D)	HP14K(D)	HP122K(D)	HP142K(D)
Spænding	V_{AC}	230	230	230	230	230
Opladningstid (ca.)	t	1	3 3	3	1	1

AKKUPORAKONE/RUUVINVÄÄNNIN HP96K/ HP12K(D)/HP14K(D)/HP122K(D)/HP142K(D)

Kiitos, että olet valinnut Black & Decker -koneen. Toivomme, että nautit koneen käytöstä monen vuoden ajan.


CE- VAATIMUSTENMUKAISUUSVAKUUTUS

CE HP96K/HP12K(D)/HP14K(D)/HP122K(D)/HP142K(D)
Black & Decker vakuuttaa, että nämä työkalut ovat
98/37/EC, 89/336/EEC, 73/23/EEC,
EN 50260, EN 55014, EN 60335, EN 61000 mukaiset.

Melutaso, mitattu EN 50260:n mukaisesti:

		HP96K	HP12K(D)	HP14K(D)
L_{pA} (äänenpaine)	dB(A)	71	70	75
L_{WA} (ääniteho)	dB(A)	84	83	86

		HP122K(D)	HP142K(D)
L_{pA} (äänenpaine)	dB(A)	84	82
L_{WA} (ääniteho)	dB(A)	97	94

 Käytä kuulosuojaimia, jos melutaso ylittää 85 dB(A).

Tärinätaajuuden painotettu geometrinen keskiarvo EN 50260 mukaisesti:

HP96K	HP12K(D)	HP14K(D)	HP122K(D)	HP142K(D)
< 2,5 m/s ²	< 2,5 m/s ²	< 2,5 m/s ²	6,8 m/s ²	6,0 m/s ²



Colin Wills
Director of Engineering
BDCI, 4/F, 2 Dai Wang Street
Tai Po Industrial Estate
Tai Po NT, Hong Kong

KÄYTTÖTARKOITUS

Black & Deckerin akkuporakone/ruuvinväännin HP96K/HP12K(D)/HP14K(D) on suunniteltu ruuvaamiseen sekä puun, metallin ja muovien poraamiseen.

Black & Deckerin akkuporakone/ruuvinväännin HP122K(D)/HP142K(D) on suunniteltu ruuvaamiseen sekä puun, metallin, muovien ja muurausten poraamiseen.

Kone on tarkoitettu kotikäyttöön.

Black & Deckerin laturi on suunniteltu tämän työkalun mukana toimitetun Black & Decker -akun lataamiseen.

TURVALLISUUSOHJEET

Merkit

Tässä käyttöohjeessa käytetään seuraavia merkkejä:



Osoittaa henkilövahingon, hengenmenetyksen tai konevaurion vaaraa, mikäli käyttöohjeen neuvoja ei noudateta.



Osoittaa sähköiskun vaaraa.



Lue käyttöohje huolellisesti ennen koneen käyttöönottoa.



Tulenvaara.

Tutustu koneeseen



♦ **Varoitus!** Akkukäyttöisiä koneita käytettäessä on aina noudatettava mm. seuraavia turvallisuusohjeita, jotta tulipalojen, akkuvuotojen, henkilövahinkojen ja materiaalivaurioiden riski olisi mahdollisimman pieni.

- ◆ Lue käyttöohje huolellisesti ennen koneen käyttöönottoa.
- ◆ Varmista, että osaat sammuttaa koneen, ennen kuin käynnistät sen.
- ◆ Säilytä käyttöohje kaikkien koneen käyttäjien ulottuvilla.

Yleistä

1. Pidä työskentelyalue siistinä

Poista roskat ja mahdolliset esteet työskentelyalueelta vältyksesi vaurioilta.

2. Ajattele työskentelyalueen vaikutusta työhösi

Älä altista konetta sateelle äläkä käytä sitä kosteissa tai märissä paikoissa.

Järjestä työskentelyalueelle hyvä valaistus.

Älä käytä konetta paikassa, jossa on tulipalotai räjähdysvaara, esim. palavien nesteiden tai kaasujen läheisyydessä.

3. Työskentele lasten ulottumattomissa

Älä anna lasten, vieraiden tai eläinten tulla lähelle työskentelyaluetta tai koskea koneeseen.

4. Pukeudu asianmukaisesti

Älä käytä liian välijä vaatteita tai koruja.

Ne voivat tarttua liikkuviin osiin. Käytä ulkona työskennellessäsi kumihansikkaita ja liukumattomia kenkiä. Jos sinulla on pitkät hiukset, käytä hiusverkkoa.

5. Suojavaatetus

Käytä aina suojalaseja. Käytä kasvosuojaa, jos työskennellessä syntyy pölyä tai hiukkasia. Käytä kuulosuojaimia, jos melutaso tuntuu epämukavalta.

6. Älä kurottele

Seiso aina tukevasti ja tasapainossa.

7. Ole tarkkaavainen

Keskity työhösi. Käytä tervettä järkeä. Älä käytä sähkötyökalua, kun olet väsynyt.

8. Kiinnitä työstökappale kunnolla

Käytä ruuvipuristinta tai -kappaletta, jotta työstökappale pysyy kunnolla kiinni. Näin saat molemmat kädet vapaaksi työhön.

9. Liitä pölynpoistolaite

Jos laitteissa on liitäntä pölynpoisto- ja pölynkeräyslaitteistolle, varmista, että ne on kiinnitetty ja niitä käytetään oikein. HUOM! Käytä ainoastaan teollisuuspölynimuria.

10. Poista avaimet

Poista säätöavaimet ja asennustyökalut koneesta ennen kuin käynnistät sen.

11. Käytä oikeaa konetta

Käytä konetta ainoastaan sellaiseen työhön, johon se on tarkoitettu. Käytä vain käyttöohjeessa ja tuotekuvastossa suositeltuja tarvikkeita ja lisälaitteita. Jonkin muun laitteen käyttö voi aiheuttaa onnettomuuden.

Älä ylikuormita konetta.

12. Tarkista, että kone on kunnossa

Tarkista ennen käyttöä, ettei kone ole vaurioitunut. Tarkista, etteivät liikkuvat ja muut osat sekä suoja ole viallisia, ja että kaikki muut käyttöön mahdollisesti vaikuttavat tekijät ovat kunnossa. Varmista, että kone toimii oikein ja täyttää tehtävänsä. Älä käytä konetta, jos jokin sen osista on viallinen. Älä käytä konetta, jos se ei käynnisty ja pysähdy virrankatkaisijasta.

Viallinen osa tulee korjata tai vaihtaa valtuutetussa Black & Deckerin huoltoliikkeessä.

Älä koskaan yritä korjata konetta itse.

13. Poista akku

Poista akku, kun konetta ei käytetä, ennen minkään koneen osan, tarvikkeen tai lisälaitteen vaihtamista, sekä ennen huoltoa.

14. Vältä tahatonta käynnistämistä

Älä koskaan kanno konetta sormet kiinni virrankatkaisijassa. Varmista, että työkalu on kytketty pois päältä, kun laitat akun työkaluun.

15. Huolehdi johdon kunnosta

Älä koskaan kanno laturia johdosta äläkä irrota pistoketta virtalähteestä vetämällä johdosta. Suojaa johto kuumuudelta, öljyltä ja teräviltä reunoilta.

16. Säilytä konetta oikein

Kun kone ei ole käytössä, sen ja akun tulee olla varastoituna kuivaan paikkaan lasten ulottumattomissa.

17. Hoida työkalua huolellisesti

Pidä työkalu puhtaana ja käytä teräviä teriä tehokasta ja turvallista työskentelyä varten. Noudata huollosta ja tarvikkeiden vaihdosta annettuja ohjeita. Pidä virrankatkaisija ja kädensijat kuivina ja puhtaina öljystä ja rasvasta.

18. Korjaukset

Tämä kone täyttää voimassa olevat turvallisuusvaatimukset.

Korjauksia saa tehdä vain Black & Deckerin valtuuttama huoltoliike, joka käyttää alkuperäisosa, muutoin koneen käyttäjälle voi aiheuta vaarallisia tilanteita.

Lisäturvaohjeet akuille ja laturille

Akut

- ◆ Älä koskaan yritä avata akkua.
- ◆ Älä altista akkua vedelle.
- ◆ Älä säilytä akkua paikassa, jonka lämpötila ylittää +40 °C.
- ◆ Lataa akku ainoastaan lämpötilan ollessa +4 °C - +40 °C.
- ◆ Lataa akku käyttäen ainoastaan koneen mukana toimitettua laturia (ks. tekniset tiedot)
- ◆ Ennen lataamista varmista, että akku on kuiva ja puhdas.
- ◆ Käytä koneessa ainoastaan siihen tarkoitettua akkua (ks. tekniset tiedot).
- ◆ Kun poistat akun käytöstä, noudata kappaleessa "Ympäristö" annettuja ohjeita.
- ◆ Äärimmäisissä olosuhteissa akku saattaa vuotaa. Kun havaitset akusta tulevan nestettä, toimi seuraavasti:
 - Kuivaa neste varovasti pois rievulla. Vältä nesteen osumista iholle.
 - Mikäli nestettä osuu iholle tai silmiin, noudata alla olevia ohjeita:



Akkuneste (25-30 % kaliumhydroksidiliuosta) saattaa olla haitallista. Jos akkunestettä pääsee iholle, huuhto se välittömästi vedellä. Neutralisoi akkuneste esim. etikalla tai sitruunamehulla. Jos akkunestettä joutuu silmiin, huuhto silmiä runsaalla vedellä vähintään 10 minuuttia, ja ota heti yhteys lääkäriin.



Palovaara! Vältä, ettei irrotetun akun kontaktit mene oikosulkuun metallin kanssa (esim. säilytettäessä akkua työkalupakissa).



Älä polta akkua.



Älä koskaan käytä viallisia akkuja.

Laturi

- ◆ Käytä Black & Decker-laturia ainoastaan koneen mukana toimitetun akun lataamiseen. Muunlaiset akut saattavat räjähtää aiheuttaen henkilö- ja esinevahinkoja.
- ◆ Älä koskaan yritä ladata ei-ladattavia akkuja.
- ◆ Vaihda vialliset johdot välittömästi.
- ◆ Älä altista laturia vedelle.
- ◆ Älä avaa laturia.
- ◆ Älä vahingoita laturia.



Tarkoitettu vain sisäkäyttöön.

Lisäturvaohjeet pora/ruuvinvääntimelle

- ◆ Ennen seinien, lattioiden tai kattojen poraamista tarkista sähköjohtojen ja putkistojen sijainnit.
- ◆ Vältä poranterän kärjen koskettamista heti poraamisen jälkeen, se saattaa olla kuuma.

SÄHKÖINEN TURVALLISUUS

Tarkista, että laturin jännite vastaa verkon jännitettä.



Laturisi on kaksoiseristetty EN 60335:n mukaisesti; siksi ei tarvita erillistä maadoitusta.

HP96K/HP12K(D)/HP14K(D)



Lataa akku ainoastaan mukana toimitetulla laturilla.

YLEISKUVAUS (kuva A)

1. Virrankatkaisija portaattomalla nopeudensäädöllä (HP12K(D)/HP14K(D)/HP122K(D)/HP142K(D))
1. Kaksinopeuksinen virrankatkaisija (HP96K)
2. Suunnanvaihtokytkin
3. Vääntömomentin säädin
4. Istukka
5. Vaihteen säädin (HP122K(D)/HP142K(D))
6. Akun latauksen tunnistin (HP96K/HP12K/HP14K/HP122K/HP142K)
7. Suoran porauksen tunnistin
8. Ruuvitaltan pidike
9. Akku
10. Akun vapautusnappi

11. Laturi (HP96K/HP12K(D)/HP14K(D))
12. Latausyksikkö (HP96K/HP12K(D)/HP14K(D))
13. Laturi (HP122K(D)/HP142K(D))
14. Latausvalo - lataus käynnissä (HP122K(D)/HP142K(D))
15. Latausvalo - akku täynnä (HP122K(D)/HP142K(D))

ASENNUS

Akun kiinnittäminen ja poistaminen (kuva B)

- ◆ Kiinnitä akku (9) asettamalla se koneen liitännän kanssa samaan linjaan. Liu'uta akku liitäntään ja työnnä sitä taaksepäin, kunnes se lukittuu paikalleen.
- ◆ Poista akku painamalla vapautusnappia (10) samanaikaisesti, kun vedät akkua irti.

Poranterien ja ruuvitaltojen kiinnittäminen ja poistaminen (kuvat A & C)

Koneessa on pikaistukka, jonka avulla terien ja talttojen vaihtaminen on helppoa.

- ◆ Lukitse kone laittamalla suunnanvaihtokytkin (2) keskiasentoon (kuva A).
- ◆ Avaa istukka kiertämällä etuosaa (16) toisella kädellä samalla, kun pidät takaosasta (17) kiinni toisella kädellä (kuva C).
- ◆ Laita tarvike (18) istukkaan.
- ◆ Kiristä istukka tiukalle kiertämällä etuosaa (16) toisella kädellä samalla, kun pidät takaosasta (17) kiinni toisella kädellä.

Koneen ruuvitaltan pidikkeessä (8) on ruuvitaltta (kuva A).

- ◆ Irrota ruuvitaltta poistamalla se pidikkeestä.
- ◆ Laita ruuvitaltta takaisin painamalla se kunnolla pidikkeeseen.

HP12KD/HP14KD/HP122KD/HP142KD - Tunnistimen kiinnittäminen (kuva K)

Työkalussa on asennuskohta, jossa tunnistinta (23) säilytetään, kun se ei ole käytössä.

- ◆ Ripusta työkalu pitimeen (24) kuvan osoittamalla tavalla.

KÄYTTÖ



Anna koneen käydä omaan tahtiinsa.
Älä ylikuormita sitä.

Akun lataaminen

Akku tulee ladata ennen ensimmäistä käyttökertaa ja aina silloin, kun se ei enää tuota riittävästi virtaa toimintoihin, jotka aikaisemmin hoituivat helposti. Ladatessasi akkua ensimmäistä kertaa tai pitkäaikaisen säilytyksen jälkeen, latautuu se vain 80 %:sesti. Usean lataamis- ja tyhjentyiskerran jälkeen akku saavuttaa täyden kapasiteettinsa. Akku voi lämmetä ladattaessa; tämä on normaalia eikä ole merkinä minkäänlaisesta ongelmasta.



Älä lataa akkua alle +4 °C tai yli +40 °C asteen lämpötiloissa. Suositeltu lämpötila lataamiseen on noin +24 °C.

HP96K/HP12K(D)/HP14K(D) (kuva D)

- ◆ Irrota akku (9) koneesta lataamista varten.
- ◆ Liu'uta latausyksikkö (12) akkuun kuvan mukaisesti.
- ◆ Liitä laturi (11) virtalähteeseen.

Akku lämpenee latauksen aikana. Akku on latautunut täyteen noin kolmen tunnin latauksen jälkeen.

- ◆ Poista latausyksikkö akusta.

HP122K(D)/HP142K(D) (kuva E)

- ◆ Akun (9) lataamiseksi poista se koneesta ja aseta se laturiin (13). Akku sopii laturiin vain yhdessä asennossa. Älä laita sitä laturiin väkisin. Varmista, että akku on kunnolla laturissa.
- ◆ Liitä laturin pistoke.

- ◆ Tarkista, että punainen latausvalo (14) palaa. Jos punaisen sijaan palaa vihreä latausvalo (15), akku on liian kuuma eikä sitä voi ladata. Jos näin tapahtuu, poista akku laturista, anna sen jäähtyä noin tunnin ajan ja aseta se sitten takaisin.

Noin tunnin lataamisen jälkeen punainen latausvalo (14) sammuu ja vihreä latausvalo (15) syttyy. Akku on nyt latautunut täyteen.

- ◆ Poista akku laturista.

HP96K/HP12K/HP14K/HP122K/HP142K - Akun latauksen tarkistaminen (kuva F)

Kone on varustettu akun latauksen tunnistimella, jonka avulla voidaan tarkistaa akun kunto.

- ◆ Paina nappia (19) ja pidä se alhaalla.
- ◆ Tarkista, montako valoa (20) palaa:

Akun lataustila

- 1 valo alhainen
- 2 valoa keskivälissä
- 3 valoa korkea


Pyörimissuunnan valitseminen (kuva G)

Käytä eteenpäin (myötäpäivään) suuntautuvaa pyörimisliikettä poraamiseen ja ruuvien kirstämiseen. Käytä taaksepäin (vastapäivään) suuntautuvaa pyörimisliikettä ruuvien tai jumiutuneen poranterän irrottamiseen.


- ◆ Valitse pyörimissuunnaksi eteenpäin siirtämällä suunnanvaihtokytkin (2) vasemmalle.
- ◆ Valitse pyörimissuunnaksi taaksepäin siirtämällä suunnanvaihtokytkin (2) oikealle.
- ◆ Lukitse kone asettamalla suunnanvaihtokytkin (2) keskiasentoon.

Porausasennon ja vääntömomentin valitseminen (kuva H)

Koneessa on säädin, jolla valitaan porausasento tai vääntömomentti ruuvien kirstämistä varten. Isot ruuvit ja kovat materiaalit vaativat suuremman momentin kuin pienet ruuvit ja pehmeät materiaalit. Koneessa on säädin, jolla valitaan käyttöasento ja vääntömomentti ruuvien kirstämistä varten. Isot ruuvit ja kovat työstökappaleet vaativat suuremman momentin kuin pienet ruuvit ja pehmeästä materiaalista olevat työstökappaleet. Säätimessä on laajat valintamahdollisuudet eri käyttötarkoituksia varten.

- ◆ Jos aiot porata puuta, metallia tai muoveja, aseta säädin (3) porausasentoon siirtämällä symboli  kohdakkain nuolen (21) kanssa.
- ◆ Ruuvaamista varten aseta säädin haluttuun momenttiin. Jos et tiedä oikeaa momenttia, toimi seuraavalla tavalla:
 - ◆ Aseta säädin (3) alhaisimmalle momentille.
 - ◆ Kirstä ensimmäinen ruuvi.
 - ◆ Jos momentti ei riitä ruuvien ruuvaukseen, lisää momenttia ja jatka ruuvien kirstämistä. Toista toimenpide, kunnes löydät oikean momentin. Käytä samaa momenttia jäljellä olevien ruuvien kirstämiseen.

HP122K(D)/HP142K(D) - Muurauksen poraaminen (kuvat H & I)

- ◆ Jos aiot porata muurausta, aseta säädin (3) iskuporausasentoon siirtämällä symboli  kohdakkain nuolen (21) kanssa.
- ◆ Siirrä säädintä (5) eteenpäin koneen etuosaa kohti (2. vaihde).

HP122K(D)/HP142K(D) - Vaihteen säätö (kuva I)

- ◆ Jos aiot porata terästä tai ruuvata, siirrä säädintä (5) koneen takaosaa kohti (1. vaihde).
- ◆ Jos aiot porata muuta kuin terästä, siirrä säädintä (5) koneen etuosaa kohti (2. vaihde).

Suoran porauksen tunnistin (kuva J)

Koneessa on tunnistin, jonka avulla on helpompaa porata suoraan. Se toimii sekä vaaka- että pystyasennossa.

- ◆ Aseta kone haluamaasi asentoon.
- ◆ Pidä virrankatkaisijaa (1) kevyesti painettuna, muttei niin paljon, että kone menee päälle.
- ◆ Liikuta koneen takaosaa hitaasti, kunnes punainen valo (22) syytty.
- ◆ Aloita poraus painamalla virrankatkaisijaa lisää.

HP12KD/HP14KD/HP122KD/HP142KD -

Putkien tai johtimien tunnistaminen (kuva K)

- ◆ Irrota tunnistin (23) pitimestä (24).
- ◆ Katso tunnistimen käyttöohjeesta lisätietoja.

Poraaminen ja ruuvaaminen (kuva A)

- ◆ Valitse suunnanvaihtokytkimellä (2) pyörimissuunnaksi eteen- tai taaksepäin.
- ◆ Käynnistä kone painamalla virrankatkaisijaa (1). Koneen nopeus riippuu siitä, kuinka paljon virrankatkaisijaa painetaan.
- ◆ Sammuta kone päästämällä irti virrankatkaisijasta.

Vinkkejä parhaimman tuloksen saamiseksi

Poraaminen

- ◆ Paina terää kevyesti suoraan työstökappaletta kohti.
- ◆ Vähennä koneen painamista juuri ennen kuin terän kärki tulee ulos työstökappaleen toiselta puolelta.
- ◆ Käytä puunpalaa työstökappaleen alla halkeilun estämiseksi.

- ◆ Käytä litteää puuporanterää poratessasi suuria reikiä puuhun.
- ◆ Käytä HSS-teriä (pikaterästeriä) poratessasi metallia.
- ◆ Käytä betoniteriä poratessasi muurausta.
- ◆ Käytä voiteluainetta poratessasi muita metalleja kuin valurautaa tai messinkiä.
- ◆ Tee pistepuikolla aloitusreikä porattavan reiän keskikohtaan, niin porauksen tarkkuus paranee.



- ◆ Poista akku koneesta ennen työkalun huoltamista.
- ◆ Irrota laturi virtalähteestä ennen puhdistamista.

- ◆ Puhdista koneen ja laturin ilma-aukot säännöllisesti pehmeällä harjalla tai kuivalla rievulla.
- ◆ Puhdista koneen kuori säännöllisesti kostealla rievulla. Älä koskaan käytä puhdistamiseen liuotainaineita tai syövyttäviä puhdistusaineita.
- ◆ Avaa istukka ja kopauta sitä pölyjen poistamiseksi sen sisältä säännöllisin väliajoin.

Ruuvaaminen

- ◆ Käytä aina oikean mallista ja -kokoista ruuvitalttaa.
- ◆ Jos ruuvia on hankala kiristää, voidaan voiteluaineena käyttää hiukan nestemäistä pesuainetta tai saippuaa.
- ◆ Pidä konetta ja ruuvitalttaa aina kohtisuorassa ruuviin nähden.

KONEEN HOITO

Black & Deckerin kone on suunniteltu toimimaan mahdollisimman pitkän aikaa mahdollisimman vähällä huollolla. Oikealla huollolla ja säännöllisellä puhdistuksella kone säilyttää suorituskykynsä. Laturi ei tarvitse säännöllisen puhdistamisen lisäksi minkään muunlaista huoltoa.

YMPÄRISTÖ

Kone



Kun koneesi on käytetty loppuun, älä heitä sitä tavallisten roskien mukana pois, vaan vie se paikkakuntasi kierrätyskeskukseen tai jätä valtuutettuun Black & Deckerin huoltopisteeseen.

Tekniset tiedot

		HP96K	HP12K(D)	HP14K(D)	HP122K(D)	HP142K(D)
Jännite	V _{DC}	9,6	12	14,4	12	14,4
Kuormittamaton nopeus	min ⁻¹	350/700	0-750	0-750	0-400/0-1.200	0-400/0-1.200
Max. vääntömomentti	Nm	10,5	11,8	12,9	23,5	26
Istukka	mm	10	10	10	10	10
Max. porausteho						
teräs/puu/betoni	mm	10/20/-	10/25/-	10/30/-	10/25/12	10/30/12
Paino (ilman akkua)	kg	1,0	1,0 (1,2)	1,3 (1,4)	1,0 (1,2)	1,3 (1,4)

Akku		HP96K	HP12K(D)	HP14K(D)	HP122K(D)	HP142K(D)
Akun tuotenro		A96	A12	499936-34	A12	499936-35
Jännite	V _{DC}	9,6	12	14,4	12	14,4
Teho	Ah	1,2	1,2	1,2	1,2	1,2
Paino	kg	0,56	0,52 (0,63)	0,76	0,52	0,63

Laturi		HP96K	HP12K(D)	HP14K(D)	HP122K(D)	HP142K(D)
Jännite	V _{AC}	230	230	230	230	230
Latausaika (noin)	h	3	3	3	1	1

Akut



Black & Deckerin akut voidaan ladata useaan kertaan. Vie loppuunkäytetyt akut niille tarkoitettuun keräyspaikkaan tai -astiaan.

- ◆ Käytä akku täysin loppuun ja poista se sitten työkalusta.
- ◆ NiCd ja NiMH -akut ovat kierrätettäviä. Voit viedä ne ostopaikkaan tai paikalliseen kierrätyskeskukseen. Kerätyt akut toimitetaan kierrätykseen tai käsitellään asianmukaisesti.

Korjaukset / varaosat

Mikäli koneeseen tulee vikaa, jätä se aina Black & Deckerin valtuuttamaan huoltoliikkeeseen korjattavaksi (tiedot löytyvät uusimmasta tuoteluettelostamme tai ottamalla yhteyttä Black & Decker Oy:hyn). Varaosia myyvät valtuutetut Black & Deckerin huoltoliikkeet, ja heiltä voi myös pyytää kustannusarvion koneen korjauksesta.

Tiedot valtuutetuista huoltoliikkeistä löytyvät myös internetistä osoitteesta www.2helpU.com sekä kotisivuiltamme www.blackdecker.fi.

Takuu

Black & Decker Oy takaa, ettei koneessa ollut materiaali- ja/tai valmistusvikaa silloin, kun se toimitettiin ostajalle. Takuu on lisäys kuluttajan laillisiin oikeuksiin eikä vaikuta niihin. Takuu on voimassa Euroopan Unionin jäsenmaissa ja Euroopan vapaakauppa-alueella (EFTA).

Mikäli Black & Decker -kone hajoaa materiaali- ja/ tai valmistusvirheen tai teknisten tietojen epätarkkuuden vuoksi 24 kk:n kuluessa ostopäivästä, Black & Decker korjaa koneen ilman kustannuksia ostajalle tai vaihtaa sen uuteen Black & Decker Oy:n valinnan mukaan.

Takuu ei kata vikoja, jotka johtuvat koneen

- ◆ normaalista kulumisesta
- ◆ ylikuormituksesta, virheellisestä käytöstä tai hoidosta
- ◆ vahingoittamisesta vieraalla esineellä tai aineella tai onnettomuustapauksessa.

Takuu ei ole voimassa, mikäli konetta on korjannut joku muu kuin Black & Deckerin valtuuttama huoltoliike.

Edellytyksenä takuun saamiselle on, että ostaja jättää koneen ja ostokuitin jälleenmyyjälle tai valtuutetulle huoltoliikkeelle viimeistään 2 kuukauden kuluessa vian ilmenemisestä. Tiedot valtuutetuista huoltoliikkeistä saa ottamalla yhteyttä Black & Decker Oy:hyn sekä internetistä osoitteesta www.2helpU.com, jossa on myös takuehdot.

ΦΟΡΤΙΖΟΜΕΝΟ ΔΡΑΠΑΝΟΚΑΤΣΑΒΙΔΟ HP96K/HP12K(D)/HP14K(D)/HP122K(D)/ HP142K(D)

ΣΥΓΧΑΡΗΤΗΡΙΑ!

Εχετε επιλέξει ένα εργαλείο της Black & Decker. Στόχος μας είναι να σας προσφέρουμε εργαλεία ποιότητας σε προσιτές τιμές. Ευελπιστούμε ότι θα απολαύσετε τη χρήση αυτού του εργαλείου για πολλά χρόνια.

ΔΗΛΩΣΗ ΣΥΜΜΟΡΦΩΣΗΣ ΕΚ



HP96K/HP12K(D)/HP14K(D)/HP122K(D)/
HP142K(D)

Black & Decker δηλώνει ότι αυτά τα ηλεκτρικά εργαλεία σχεδιάστηκαν σύμφωνα με:
98/37/ΕΟΚ, 89/336/ΕΟΚ, 73/23/ΕΟΚ,
EN 50260, EN 55014, EN 60335, EN 61000

Ανώτατο όριο ηχητικής πίεσης, μέτρηση κατά EN 50260:

	HP96K	HP12K(D)	HP14K(D)
L_{pA} (ηχητική πίεση) dB(A)	71	70	75
L_{WA} (ακουστική δύναμη) dB(A)	84	83	86

	HP122K(D)	HP142K(D)
L_{pA} (ηχητική πίεση) dB(A)	84	82
L_{WA} (ακουστική δύναμη) dB(A)	97	94



Λάβετε τα ενδεδειγμένα μέτρα προστασίας σε περίπτωση που η ακουστική πίεση υπερβαίνει τα 85 dB(A).

Ο σταθμισμένος τετραγωνικός μέσος όρος επιτάχυνσης κατά EN 50260:

HP96K	HP12K(D)	HP14K(D)	HP122K(D)	HP142K(D)
< 2,5 m/s ²	< 2,5 m/s ²	< 2,5 m/s ²	6,8 m/s ²	6,0 m/s ²

Colin Wills

Director of Engineering
BDCI, 4/F, 2 Dai Wang Street
Tai Po Industrial Estate
Tai Po NT, Hong Kong

ΕΝΔΕΔΕΙΓΜΕΝΗ ΧΡΗΣΗ

Το δικό σας δραπανοκατσάβιδο Black & Decker HP96K/HP12K(D)/HP14K(D) έχει σχεδιαστεί για εφαρμογές βιδώματος και για διάτρηση σε ξύλο, μέταλλο και πλαστικά.

Το δικό σας δραπανοκατσάβιδο Black & Decker HP122K(D)/HP142K(D) έχει σχεδιαστεί για εφαρμογές βιδώματος και για διάτρηση σε ξύλο, μέταλλο, πλαστικά και μαλακή τοιχοποιία.

Αυτό το εργαλείο προορίζεται μόνο για ερασιτεχνική χρήση.

Ο φορτιστής της Black & Decker έχει σχεδιαστεί για να φορτίζει μπαταρίες Black & Decker του τύπου που παρέχονται με αυτό το εργαλείο.

ΟΔΗΓΙΕΣΑΣΦΑΛΕΙΑΣ

Σύμβολα ασφαλείας

Στις παρούσες οδηγίες χρησιμοποιούνται τα ακόλουθα σύμβολα:



Συμβολίζει κίνδυνο τραυματισμού ή θανάτου ή βλάβης του εργαλείου σε περίπτωση που δεν τηρηθούν οι οδηγίες χρήσεως.



Συμβολίζει ηλεκτρική τάση.



Πριν χρησιμοποιήσετε το εργαλείο διαβάστε το παρόν εγχειρίδιο προσεκτικά.



Κίνδυνος πυρκαγιάς.

Γνωρίζετε το εργαλείο



- ♦ **Προσοχή!** Κατά τη χρήση επαναφορτιζόμενων εργαλείων, θα πρέπει πάντα να λαμβάνονται οι βασικές προφυλάξεις ασφαλείας, για τον περιορισμό του κινδύνου πυρκαγιάς, διαρροής υγρού από μπαταρίες, σωματικών βλαβών και υλικών ζημιών.
- ♦ Πριν χρησιμοποιήσετε το εργαλείο διαβάστε προσεκτικά τις παρακάτω οδηγίες.
- ♦ Πριν χρησιμοποιήσετε το εργαλείο αυτό, βεβαιωθείτε ότι γνωρίζετε πώς να σβήσετε το εργαλείο σε περίπτωση έκτακτης ανάγκης.
- ♦ Φυλάξτε το εγχειρίδιο αυτό για μελλοντική αναφορά.

Γενικά

- 1. Διατηρείτε καθαρό το χώρο εργασίας**
Ακατάστατοι χώροι και πάγκοι εγκυμονούν κίνδυνο τραυματισμού.
- 2. Λάβετε υπό όψη τις επιδράσεις του περιβάλλοντος**
Μην εκθέτετε ηλεκτρικά εργαλεία σε υγρασία. Φροντίστε η περιοχή εργασίας να είναι καλά φωτισμένη. Μη χρησιμοποιείτε το εργαλείο αν υπάρχει κίνδυνος να προκληθεί πυρκαγιά ή έκρηξη, π.χ. κοντά σε εύφλεκτα υγρά και αέρια.
- 3. Κρατάτε τα παιδιά σε απόσταση**
Μην επιτρέπετε σε παιδιά, επισκέπτες ή ζώα να πλησιάζουν στο χώρο εργασίας ή να αγγίζουν το εργαλείο.
- 4. Φοράτε τα κατάλληλα ρούχα εργασίας**
Μη φοράτε φαρδιά ρούχα ή κοσμήματα. Υπάρχει πιθανότητα να πιαστούν σε κινούμενα μέρη μηχανών. Για υπαίθριες εργασίες συνιστώνται λαστιχένια γάντια και υποδήματα που δε γλιστρούν.

Εάν έχετε μακριά μαλλιά φοράτε προστατευτικό διχτάκι.

5. Ατομική προστασία

Φορέστε προστατευτικά γυαλιά. Φορέστε μάσκα προσώπου ή προστασίας από τη σκόνη, στις περιπτώσεις που η εργασία ενδέχεται να προκαλέσει την παραγωγή σκόνης ή αιωρούμενων σωματιδίων. Φοράτε ωτασπίδες σε περιπτώσεις που η στάθμη του θορύβου σας προκαλεί δυσφορία.

6. Μη σκύβετε πάρα πολύ

Φροντίστε πάντοτε να έχετε την κατάλληλη στάση και να διατηρείτε την ισορροπία σας.

7. Να είστε πάντα προσεκτικοί

Παρακολουθείτε την εργασία σας. Ενεργείτε λογικά. Μη χρησιμοποιείτε το εργαλείο όταν είστε κουρασμένος.

8. Στηρίξτε με ασφαλή τρόπο το αντικείμενο στο οποίο εργάζεστε

Χρησιμοποιείτε σφικκτήρες ή μέγγενη για το σκοπό αυτό. Η μέθοδος αυτή είναι ασφαλέστερη και ελευθερώνει και τα δύο σας χέρια για το χειρισμό του εργαλείου.

9. Συνδέστε τη συσκευή αφαίρεσης σκόνης

Εάν παρέχονται συσκευές για τη σύνδεση συσκευών αφαίρεσης και συλλογής σκόνης, βεβαιωθείτε ότι η σύνδεση και η χρήση τους γίνεται με τον ενδεδειγμένο τρόπο.

10. Απομακρύνετε από το μηχανήμα τα κλειδιά που χρησιμοποιείτε για τη ρύθμισή του

Πριν βάλετε σε λειτουργία το εργαλείο, βεβαιωθείτε πάντα ότι έχετε βγάλει από αυτό τα κλειδιά για τη ρύθμισή του.

11. Χρησιμοποιείτε το σωστό εργαλείο

Η ενδεδειγμένη χρησιμοποίηση αναφέρεται σε αυτές τις οδηγίες χρήσεως. Μη χρησιμοποιείτε εργαλεία χαμηλής ισχύος ή προσθήκες για βαριές εργασίες. Το εργαλείο σας θα λειτουργήσει επιτυχέστερα και ασφαλέστερα εάν χρησιμοποιηθεί σύμφωνα με της προδιαγραφές του. Μη ζορίζετε το εργαλείο.

Προσοχή! Τόσο η χρήση εξαρτημάτων ή προσηκίων όσο και η πραγματοποίηση εργασιών που δεν συνιστώνται στις οδηγίες αυτές εγκυμονεί κίνδυνο τραυματισμού.

12. Ελέγχετε εάν το εργαλείο σας έχει θλάβες

Πριν από τη χρήση, ελέγξτε προσεκτικά το εργαλείο για τυχόν ζημιές.

Ελέγξτε για τυχόν κακή ευθυγράμμιση και εμπλοκή των κινούμενων μερών, για μέρη που έχουν σπάσει, για τυχόν ζημιές στους προφυλακτικές και τους διακόπτες, και γενικά κάθε είδους συνθήκες οι οποίες ενδέχεται να επηρεάσουν τη λειτουργία του εργαλείου. Βεβαιωθείτε ότι το εργαλείο λειτουργεί κανονικά και χρησιμοποιείται για το σκοπό για τον οποίο προορίζεται.

Μη χρησιμοποιείτε το εργαλείο αν κάποιο εξάρτημά του παρουσιάζει ελάττωμα. Μη χρησιμοποιείτε το εργαλείο, εάν ο διακόπτης δεν μπορεί να το θέσει εντός ή εκτός λειτουργίας. Φροντίστε για την επισκευή ή αντικατάσταση τυχόν ελαττωματικών εξαρτημάτων από εξουσιοδοτημένο κέντρο επισκευών. Ποτέ μην επιχειρήσετε να επισκευάσετε οι ίδιοι το εργαλείο.

13. Αφαιρέστε τη μπαταρία

Αφαιρέστε τη μπαταρία όταν το εργαλείο δεν χρησιμοποιείται, προτού αλλάξετε οποιοδήποτε ανταλλακτικό, παρελκόμενο ή εξάρτημα του εργαλείου, και πριν από τη συντήρησή του.

14. Αποφύγετε την τυχαία εκκίνηση του εργαλείου

Μη μεταφέρετε το εργαλείο έχοντας το δάκτυλό σας πάνω στο διακόπτη εκκίνησης. Βεβαιωθείτε ότι κατά την εισαγωγή της μπαταρίας, το εργαλείο είναι σβηστό.

15. Μην κακομεταχειρίζεστε το καλώδιο

Ποτέ μη μεταφέρετε το φορτιστή κρατώντας τον από το καλώδιο και μην τον τραβάτε από το καλώδιο για να το βγάλετε από την πρίζα. Φροντίστε το καλώδιο να παραμένει μακριά από τη θερμότητα, τα λάδια και από αιχμηρές ακμές.

16. Φυλάγετε τα εργαλεία σας σε ασφαλές μέρος

Όταν δεν χρησιμοποιούνται, τα εργαλεία, φορτιστές και οι μπαταρίες πρέπει να αποθηκεύονται σε ξηρό χώρο, μακριά από τα παιδιά.

17. Συντηρήστε προσεκτικά τα εργαλεία

Φροντίστε τα εργαλεία σας να είναι κοφτερά και καθαρά, ώστε να προσφέρουν υψηλή απόδοση και ασφάλεια κατά τη χρήση τους. Ακολουθήστε τις σχετικές οδηγίες σε ότι αφορά τη συντήρηση και την αλλαγή των εξαρτημάτων. Φροντίστε οι λαβές και οι διακόπτες να είναι στεγνοί, καθαροί και χωρίς λάδια ή γράσα.

18. Επισκευές

Το εργαλείο αυτό συμμορφώνεται με τις σχετικές προϋποθέσεις ασφαλείας. Οι επισκευές θα πρέπει να γίνονται μόνο από ειδικευμένους τεχνικούς και με τη χρήση αποκλειστικά γνήσιων ανταλλακτικών, διαφορετικά υπάρχει το ενδεχόμενο σοβαρού κινδύνου για το χρήστη.

Επιπρόσθετες οδηγίες ασφαλείας για μπαταρίες και φορτιστές

Μπαταρίες

- ◆ Μην επιχειρήσετε ποτέ να την ανοίξετε, για κανένα λόγο.
- ◆ Μην την εκθέτετε σε νερό.
- ◆ Μην την αποθηκεύετε σε χώρους όπου η θερμοκρασία μπορεί να υπερβεί τους 40 °C.
- ◆ Να τη φορτίζετε μόνο σε θερμοκρασία περιβάλλοντος μεταξύ 4 °C και 40 °C.
- ◆ Η φόρτιση πρέπει να γίνεται μόνο με το φορτιστή που συμπεριλαμβάνεται με το εργαλείο (βλ. τεχνικά χαρακτηριστικά).
- ◆ Πριν από τη φόρτιση, βεβαιωθείτε ότι η μπαταρία είναι στεγνή και καθαρή.
- ◆ Χρησιμοποιήστε μόνο το σωστό για το εργαλείο τύπο μπαταρίας (βλ. τεχνικά χαρακτηριστικά).
- ◆ Σε ότι αφορά την απόρριψη των μπαταριών, ακολουθήστε τις οδηγίες που παρατίθενται στην ενότητα "Περιβάλλον".
- ◆ Σε περίπτωση έκθεσης σε ακραίες συνθήκες, η μπαταρία ενδέχεται να παρουσιάσει διαρροή. Αν παρατηρήσετε υγρά στην μπαταρία, ενεργήστε ως ακολούθως:
 - Σκουπίστε προσεκτικά τα υγρά με ένα πανί. Αποφύγετε την επαφή με το δέρμα.
 - Σε περίπτωση επαφής με το δέρμα ή τα μάτια, ακολουθήστε τις παρακάτω οδηγίες.



Το υγρό μπαταριών, ένα διάλυμα 25-30% υδροξειδίου του καλίου, μπορεί να είναι βλαβερό. Σε περίπτωση δερματικής επαφής, ξεπλύνετε αμέσως με νερό. Εξουδετερώστε με ήπιο οξύ όπως χυμός λεμονιού ή ξίδι. Σε περίπτωση επαφής με τα μάτια, ξεπλύνετε με άφθονο καθαρό νερό για 10 λεπτά τουλάχιστον. Συμβουλευτείτε γιατρό.



Κίνδυνος πυρκαϊάς! Αποφεύγετε βραχυκύκλωμα με μέταλλο των επαφών της μπαταρίας (π.χ. κλειδιά που είναι στην ίδια τσέπη με την μπαταρία).



Μη καίτε την μπαταρία.



Μην φορτίζετε κατεστραμμένες μπαταρίες.

Φορτιστές

- ◆ Χρησιμοποιήστε μόνο το φορτιστή της Black & Decker για τη φόρτιση μπαταριών του τύπου που συνοδεύει το εργαλείο σας. Σε άλλες μπαταρίες ενδέχεται να σημειωθεί διάρρηξη τους, προκαλώντας τραυματισμό και ζημιά.
- ◆ Μην επιχειρήσετε ποτέ να επαναφορτίσετε μη επαναφορτιζόμενες μπαταρίες.
- ◆ Αντικαταστήστε αμέσως τα ελαττωματικά καλώδια.
- ◆ Μην τον εκθέτετε σε νερό.
- ◆ Μην ανοίγετε το φορτιστή.
- ◆ Μη σκαλίζετε το φορτιστή.



Προορίζεται μόνο για χρήση σε κλειστούς χώρους.

Συμπληρωματικές οδηγίες ασφαλείας για δραπανοκαθαθίδα

- ◆ Πριν από τη διάτρηση τοίχων, δαπέδων ή οροφών, εντοπίστε τις θέσεις όπου βρίσκονται καλώδια και σωληνώσεις.
- ◆ Αποφύγετε να αγγίξετε τη μύτη ενός τρυπανιού αμέσως μετά τη διάτρηση, καθώς ενδέχεται να είναι πολύ ζεστή.

ΗΛΕΚΤΡΙΚΗ ΑΣΦΑΛΕΙΑ

Βεβαιωθείτε ότι η τάση του φορτιστή σας αντιστοιχεί με την τάση του δικτύου σας.



Ο φορτιστής σας φέρει διπλή μόνωση κατά EN 60335. Κατά συνέπεια δε χρειάζεται καλώδιο γείωσης.

HP96K/HP12K(D)/HP14K(D)



Ποτέ μην επιχειρήσετε να υποκαταστήσετε το φορτιστή με κοινή πρίζα ρεύματος.

ΓΕΝΙΚΗ ΠΕΡΙΓΡΑΦΗ (εικ. Α)

1. Διακόπτης μεταβλητής ταχύτητας (HP12K(D)/HP14K(D)/HP122K(D)/HP142K(D))
1. Διακόπτης On/off δύο ταχυτήτων (HP96K)
2. Συρόμενος διακόπτης εμπρός / πίσω
3. Διακόπτης επιλογής λειτουργίας / κολάρο ρύθμισης ροπή
4. Τσοκ
5. Διακόπτης επιλογής δύο ταχυτήτων (HP122K(D)/HP142K(D))
6. Ενδειξη φόρτισης μπαταρίας (HP96K/HP12K/HP14K/HP122K/HP142K)
7. Ενδειξη ευθύγραμμης διάτρησης
8. Υποδοχή μύτης
9. Μπαταρία
10. Κουμπί απελευθέρωσης για μπαταρία
11. Φορτιστής (HP96K/HP12K(D)/HP14K(D))
12. Υποδοχή φορτιστή (HP96K/HP12K(D)/HP14K(D))
13. Φορτιστής (HP122K(D)/HP142K(D))
14. Ενδειξη φόρτισης (HP122K(D)/HP142K(D))
15. Ενδειξη τέλους φόρτισης (HP122K(D)/HP142K(D))

ΣΥΝΑΡΜΟΛΟΓΗΣΗ

Τοποθέτηση και αφαίρεση της μπαταρίας (εικ. Β)

- ◆ Για να τοποθετήσετε την μπαταρία (9), ευθυγραμμίστε την με την υποδοχή πάνω στο εργαλείο. Ολισθήστε την μπαταρία μέσα στην υποδοχή και σπρώξτε μέχρις ότου η μπαταρία κουμπώσει στη θέση της.
- ◆ Για να αφαιρέσετε τη μπαταρία, σπρώξτε το κουμπί απελευθέρωσης (10) ενώ ταυτόχρονα τραβάτε τη μπαταρία έξω από την υποδοχή.

Τοποθέτηση και αφαίρεση τρυπανιού ή μύτης κατασθιδιού (εικ. Α & C)

Το εργαλείο αυτό διαθέτει τσοκ χωρίς κλειδί ώστε να διευκολύνεται η αλλαγή εξαρτημάτων.

- ◆ Στερεώστε το εργαλείο τοποθετώντας το συρόμενο διακόπτη εμπρός / πίσω (2) στη μεσαία θέση (εικ. Α).

- ♦ Ανοίξτε στο τσοκ, γυρίζοντας το μπροστινό μέρος του (16) με το ένα χέρι και ταυτόχρονα κρατώντας το πίσω μέρος (17) με το άλλο (εικ. C).
- ♦ Εισάγετε τον άξονα της μύτης (18) μέσα στο τσοκ.
- ♦ Σφίξτε καλά το τσοκ, γυρίζοντας το μπροστινό μέρος του (16) με το ένα χέρι ενώ κρατάτε το πίσω μέρος (17) με το άλλο.

Το εργαλείο αυτό συνοδεύεται με μύτη κατασαβιδίου διπλής όψης στην υποδοχή μύτης (8) (εικ. A).

- ♦ Για να αφαιρέσετε τη μύτη του κατασαβιδιού από την υποδοχή, ανασηκώστε τη μύτη από την εσοχή.
- ♦ Για να αποθηκεύσετε τη μύτη του κατασαβιδιού, πιέστε την καλά πάνω στην υποδοχή.

HP12KD/HP14KD/HP122KD/HP142KD - Τοποθέτηση του ανιχνευτή (εικ. K)

Το εργαλείο διαθέτει χώρο τοποθέτησης, στον οποίο αποθηκεύεται ο ανιχνευτής (23) όταν δεν χρησιμοποιείται.

- ♦ Αναρτήστε τη μονάδα στο στήριγμα (24), όπως φαίνεται.

ΧΡΗΣΗ



Αφήστε το εργαλείο να λειτουργήσει στο δικό του ρυθμό και μην το υπερφορτώνετε.

Φόρτιση της μπαταρίας

Η μπαταρία πρέπει να φορτιστεί πριν από την πρώτη χρήση και όποτε δεν μπορεί να παράγει αρκετή ισχύ για εργασίες που παλαιότερα εκτελούνταν με ευκολία. Όταν η μπαταρία φορτίζεται για πρώτη φορά ή μετά από παρατεταμένη αποθήκευση, θα φορτιστεί μόνο κατά το 80%. Μετά από μερικούς κύκλους φόρτισης και αποφόρτισης, η μπαταρία θα αποκτήσει πλήρη χωρητικότητα. Η μπαταρία μπορεί να ζεσταθεί κατά τη φόρτισή της. Αυτό είναι φυσιολογικό και δεν είναι ενδεικτικό κάποιου προβλήματος.



Μην φορτίζετε τη μπαταρία σε θερμοκρασίες περιβάλλοντος κάτω των 4 °C ή άνω των 40 °C. Συνιστώμενη θερμοκρασία φόρτισης: περίπου 24 °C.

HP96K/HP12K(D)/HP14K(D) (εικ. D)

- ♦ Για να φορτίσετε τη μπαταρία (9), αφαιρέστε την από το εργαλείο.
- ♦ Ολισθήστε την υποδοχή φορτιστή (12) επάνω στην μπαταρία, όπως εικονίζεται.
- ♦ Βάλτε το φορτιστή στην πρίζα (11).

Κατά τη φόρτιση, η μπαταρία θα ζεσταθεί.

Μετά από φόρτιση περίπου 3 ωρών, η μπαταρία θα είναι τελείως φορτισμένη.

- ♦ Αφαιρέστε την υποδοχή φόρτισης από την μπαταρία.

HP122K(D)/HP142K(D) (εικ. E)

- ♦ Για να φορτίσετε τη μπαταρία (9), αφαιρέστε την από το εργαλείο και τοποθετήστε την στο φορτιστή (13). Η μπαταρία μπαίνει στο φορτιστή κατά ένα τρόπο και μόνο.

Μην τη ζορίζετε.

Βεβαιωθείτε ότι η μπαταρία έχει εφαρμόσει καλά στο φορτιστή.

- ♦ Βάλτε το φορτιστή στην πρίζα.
- ♦ Ελέγξτε αν ανάβει η κόκκινη ένδειξη φόρτισης (14). Αν αντί για την κόκκινη ένδειξη, ανάψει τώρα η πράσινη ένδειξη τέλους φόρτισης (15), η μπαταρία είναι ιδιαίτερα ζεστή και δεν μπορεί να φορτιστεί. Αν συμβεί αυτό, αφαιρέστε την μπαταρία από το φορτιστή, αφήστε την να κρυώσει για 1 ώρα περίπου και μετά βάλτε την και πάλι στο φορτιστή.

Μετά από περίπου 1 ώρα φόρτισης, ο κόκκινος δείκτης φόρτισης (14) θα σταματήσει να ανάβει και ο πράσινος δείκτης τέλους φόρτισης (15) θα ανάψει. Η μπαταρία είναι πλέον τελείως φορτισμένη.

- ♦ Αφαιρέστε τη μπαταρία από το φορτιστή.

HP96K/HP12K/HP14K/HP122K/HP142K - Έλεγχος κατάστασης της μπαταρίας (εικ. F)

Το εργαλείο αυτό διαθέτει ένδειξη φόρτισης μπαταρίας, η οποία σας επιτρέπει να ελέγξετε την κατάσταση της μπαταρίας.

- ♦ Πατήστε και κρατήστε πατημένο το μπουτόν (19).
- ♦ Ελέγξτε πόσες από τις λυχνίες είναι αναμμένες (20):

Φόρτιση μπαταρίας
1 λυχνία χαμηλή
2 λυχνίες μεσαία
3 λυχνίες υψηλή


Επιλογή της κατεύθυνσης περιστροφής (εικ. G)

Για διάτρηση και για τη σύσφιξη βιδών, χρησιμοποιείτε την περιστροφή προς τα εμπρός (δεξιόστροφη). Για το λύσιμο βιδών ή για να αφαιρέσετε τρυπάνι που έχει κολλήσει, χρησιμοποιείτε την ανάποδη περιστροφή (αριστερόστροφη).


- ♦ Για να επιλέξετε την περιστροφή προς τα εμπρός, πιέστε το συρόμενο διακόπτη εμπρός / πίσω (2) προς τα αριστερά.
- ♦ Για να επιλέξετε την ανάποδη περιστροφή, πιέστε το συρόμενο διακόπτη εμπρός / πίσω προς τα δεξιά
- ♦ Για να ασφαλίσετε το εργαλείο, τοποθετήστε το συρόμενο διακόπτη εμπρός / πίσω στη μεσαία θέση.

Επιλογή της λειτουργίας ή της ροπής (εικ. H)

Το εργαλείο αυτό διαθέτει κολάρο για την επιλογή της λειτουργίας και για τη ρύθμιση της ροπής για σύσφιξη βιδών. Οι μεγάλες βίδες και τα τεμάχια σκληρού υλικού, απαιτούν υψηλότερη τιμή ροπής σε σύγκριση με τις μικρές βίδες και τα τεμάχια μαλακού υλικού. Το κολάρο αυτό προσφέρει μία μεγάλη γκάμα ρυθμίσεων ανάλογα με την εφαρμογή σας.

- ♦ Για διάτρηση σε ξύλο, μέταλλο και πλαστικά, θέστε το κολάρο (3) στη θέση διάτρησης ευθυγραμμίζοντας το σύμβολο  με την ένδειξη (21).
- ♦ Για λειτουργία κατασβιδιού, θέστε το κολάρο στην επιθυμητή θέση. Αν δεν γνωρίζετε ακόμη την κατάλληλη θέση που πρέπει να επιλεγεί, ενεργήστε ως ακολούθως:
 - ♦ Ρυθμίστε το κολάρο (3) στη ρύθμιση της χαμηλότερης ροπής.
 - ♦ Σφίξτε την πρώτη βίδα.
 - ♦ Αν ο συμπλέκτης σταματήσει πριν από το επιθυμητό αποτέλεσμα, αυξήστε τη ρύθμιση στο κολάρο και συνεχίστε να σφίγγετε τη βίδα. Επαναλάβετε τη διαδικασία αυτή μέχρι να επιτύχετε την κατάλληλη ρύθμιση. Με τη ρύθμιση αυτή, βιδώστε τις υπόλοιπες βίδες.

HP122K(D)/HP142K(D) - Διάτρηση σε τοιχοποιία (εικ. H & I)

- ♦ Για διάτρηση σε τοιχοποιία, θέστε το κολάρο (3) στη θέση κρουστικής διάτρησης ευθυγραμμίζοντας το σύμβολο  με την ένδειξη (21).
- ♦ Ολισθήστε το διακόπτη επιλογής δύο ταχυτήτων (5) προς τα εμπρός του εργαλείου (2η ταχύτητα).

HP122K(D)/HP142K(D) - Διακόπτης επιλογής δύο ταχυτήτων (εικ. I)

- ♦ Για διάτρηση σε χάλυβα και για εφαρμογές βιδώματος, ολισθήστε τον διακόπτη επιλογής δύο ταχυτήτων (5) προς το πίσω μέρος του εργαλείου (1η ταχύτητα).
- ♦ Για διάτρηση σε υλικά άλλα εκτός από τον χάλυβα, ολισθήστε τον διακόπτη επιλογής δύο ταχυτήτων (5) προς το εμπρός μέρος του εργαλείου (2η ταχύτητα).

Ένδειξη ευθύγραμμης διάτρησης (εικ. J)

Το εργαλείο αυτό διαθέτει ένδειξη για την διευκόλυνση της ευθύγραμμης διάτρησης.

Το χαρακτηριστικό αυτό μπορεί να χρησιμοποιηθεί τόσο στην οριζόντια όσο και στην κατακόρυφη θέση.

- ♦ Τοποθετήστε το εργαλείο όπως απαιτείται.
- ♦ Κρατήστε το διακόπτη (1) ελαφρά πατημένο χωρίς να ανοίξετε το εργαλείο.
- ♦ Μετακινήστε αργά το πίσω μέρος του εργαλείου μέχρι να ανάψει η κόκκινη ένδειξη (22).
- ♦ Πατήστε το διακόπτη ακόμα περισσότερο για να ξεκινήσει η διάτρηση.

HP12KD/HP14KD/HP122KD/HP142KD - Ανίχνευση σωλήνων ή καλωδίων (εικ. K)

- ♦ Βγάλτε τον ανιχνευτή (23) από το στήριγμα (24).
- ♦ Για περαιτέρω οδηγίες, ανατρέξτε στο εγχειρίδιο του ανιχνευτή.

Διάτρηση / θίδωμα (εικ. A)

- ♦ Επιλέξτε την περιστροφή εμπρός ή ανάποδα χρησιμοποιώντας το συρόμενο διακόπτη εμπρός / πίσω (2).

- ♦ Για να θέσετε σε λειτουργία το εργαλείο, πατήστε το διακόπτη (1). Η ταχύτητα του εργαλείου εξαρτάται από το βαθμό που θα πατήσετε το διακόπτη.
- ♦ Για να σβήσετε το εργαλείο, αφήστε το διακόπτη.

Συμβουλές για άριστη χρήση

Διάτρηση

- ♦ Να εφαρμόζετε πάντα μια ελαφρά πίεση στην ίδια ευθεία με το τρυπάνι.
- ♦ Μόλις προτού το τρυπάνι βγει από την άλλη πλευρά του τεμαχίου εργασίας, ελαττώστε την ασκούμενη πίεση στο εργαλείο.
- ♦ Χρησιμοποιείτε ένα κομμάτι ξύλο για να στηρίζετε τα τεμάχια εργασίας, των οποίων το υλικό ενδέχεται να εμφανίσει ρωγμές κατά το τρύπημα.
- ♦ Για τη διάτρηση οπών μεγάλης διαμέτρου σε ξύλο, χρησιμοποιείτε τρυπάνι διχαλωτής μορφής.
- ♦ Για τη διάτρηση σε μέταλλο, χρησιμοποιείτε τρυπάνια ταχυχάλυβα (HSS).
- ♦ Χρησιμοποιείτε τρυπάνια τοίχου κατά τη διάτρηση μαλακής τοιχοποιίας.
- ♦ Χρησιμοποιείτε λιπαντικό κατά τη διάτρηση άλλου μετάλλου εκτός από χυτοσίδηρο και ορείχαλκο.
- ♦ Δημιουργείτε μια μικρή εγκοπή, ποντάροντας στο κέντρο της οπής που θα τρυπηθεί, προκειμένου να τρυπήσετε με μεγαλύτερη ακρίβεια.

Βίδωμα

- ♦ Να χρησιμοποιείτε πάντα τον κατάλληλο τύπο και μέγεθος μύτης κατσαβιδιού.
- ♦ Αν το σφίξιμο των βιδών παρουσιάζει δυσκολία, απλώστε μικρή ποσότητα υγρού απορρυπαντικού ή σαπουνιού σαν λιπαντικό.
- ♦ Το εργαλείο και η μύτη του κατσαβιδιού πρέπει να κρατιούνται πάντα στην ίδια ευθεία με τη βίδα.

ΣΥΝΤΗΡΗΣΗ

Αυτό το εργαλείο της Black & Decker έχει σχεδιαστεί έτσι ώστε να λειτουργεί για μεγάλο χρονικό διάστημα με την ελάχιστη δυνατή φροντίδα. Η αδιάλειπτη και κανονική λειτουργία του εξαρτάται από τη φροντίδα του εργαλείου και τον τακτικό καθαρισμό του.

Ο φορτιστής σας δεν απαιτεί καμία συντήρηση εκτός από τον τακτικό καθαρισμό του.



- ♦ Πριν εκτελέσετε οποιαδήποτε εργασία συντήρησης στο εργαλείο, αφαιρέστε τη μπαταρία από το εργαλείο.
- ♦ Βγάλτε το φορτιστή από την πρίζα πριν τον καθαρίσετε.

- ♦ Καθαρίζετε τακτικά τις οπές εξερισμού του εργαλείου σας και του φορτιστή με μαλακή βούρτσα ή με στεγνό πανί.
- ♦ Καθαρίζετε τακτικά το περίβλημα του μοτέρ με ένα υγρό πανί. Μη χρησιμοποιείτε γυαλιστικά ή υγρά καθαρισμού με βάση διαλυτικά.
- ♦ Να ανοίγετε τακτικά το τσοκ και να το αδειάζετε, προκειμένου να αφαιρείται η σκόνη από το εσωτερικό του.

ΠΕΡΙΒΑΛΛΟΝ

Εργαλείο



Παραδώστε το εργαλείο σας σε ένα εξουσιοδοτημένο service.

Οι τεχνικοί του θα μεριμνήσουν για την διάθεσή του κατά τρόπο που δεν βλάπτει το περιβάλλον.

Μπαταρίες



Οι μπαταρίες Black & Decker μπορούν να επαναφορτιστούν πολλές φορές. Όταν πλέον δεν μπορούν να ξαναχρησιμοποιηθούν, απορρίψτε τις με τρόπο κατάλληλο για το περιβάλλον:

- ♦ Εξαντλήστε πλήρως τη μπαταρία και μετά αφαιρέστε την από το εργαλείο.

- Οι μπαταρίες NiCd και NiMH είναι ανακυκλώσιμες. Στείλτε τες στον αντιπρόσωπό σας ή στον τοπικό σας σταθμό ανακύκλωσης. Οι μπαταρίες που θα συγκεντρωθούν, θα ανακυκλωθούν ή θα απορριφθούν καταλλήλως.

Εγγύηση

Η Black & Decker είναι σίγουρη για την ποιότητα των προϊόντων της και παρέχει σημαντική εγγύηση. Η παρούσα γραπτή εγγύηση αποτελεί πρόσθετο δικαίωμά σας και δεν ζημώνει τα συνταγματικά σας δικαιώματα. Η εγγύηση ισχύει εντός της επικράτειας των Κρατών Μελών της Ευρωπαϊκής Ένωσης και της Ευρωπαϊκής Ζώνης Ελευθέρων Συναλλαγών.

Σε περίπτωση που κάποιο προϊόν της Black & Decker παρουσιάσει βλάβη εξαιτίας ελαττωματικών υλικών, ποιότητας εργασίας ή έλλειψης συμφωνίας με τις προδιαγραφές εντός 24 μηνών από την ημερομηνία αγοράς, η Black & Decker εγγυάται την αντικατάσταση των ελαττωματικών τμημάτων, την επισκευή προϊόντων που έχουν υποστεί εύλογη φθορά λόγω χρήσης ή την αντικατάσταση των προϊόντων προκειμένου να εξασφαλίσει την ελάχιστη ενόχληση στους πελάτες της, εκτός αν:

- Το προϊόν έχει χρησιμοποιηθεί σε εργασιακό, επαγγελματικό περιβάλλον ή αν έχει ενοικιαστεί
- Έχει γίνει εσφαλμένη χρήση του προϊόντος ή αν έχει παραμεληθεί
- Το προϊόν έχει υποστεί βλάβη από άλλα αντικείμενα, από ουσίες ή λόγω ατυχήματος
- Έχει γίνει προσπάθεια επισκευής από μη εξουσιοδοτημένα κέντρα επισκευών ή από προσωπικό που δεν ανήκει στο προσωπικό της Black & Decker

Για να ισχύσει η εγγύηση, πρέπει να υποβάλετε απόδειξη αγοράς στον πωλητή ή το εξουσιοδοτημένο κέντρο επισκευών. Ενημερωθείτε για το πλησιέστερο κέντρο επισκευών της περιοχής σας, επικοινωνώντας με τα γραφεία της Black & Decker στη διεύθυνση που αναγράφεται στο εγχειρίδιο. Επίσης, για να πληροφορηθείτε για τα εξουσιοδοτημένα κέντρα επισκευών της Black & Decker, τις λεπτομέρειες και τους αρμόδιους των υπηρεσιών που παρέχονται μετά την πώληση, μπορείτε να ανατρέξετε στο Διαδίκτυο στη διεύθυνση:

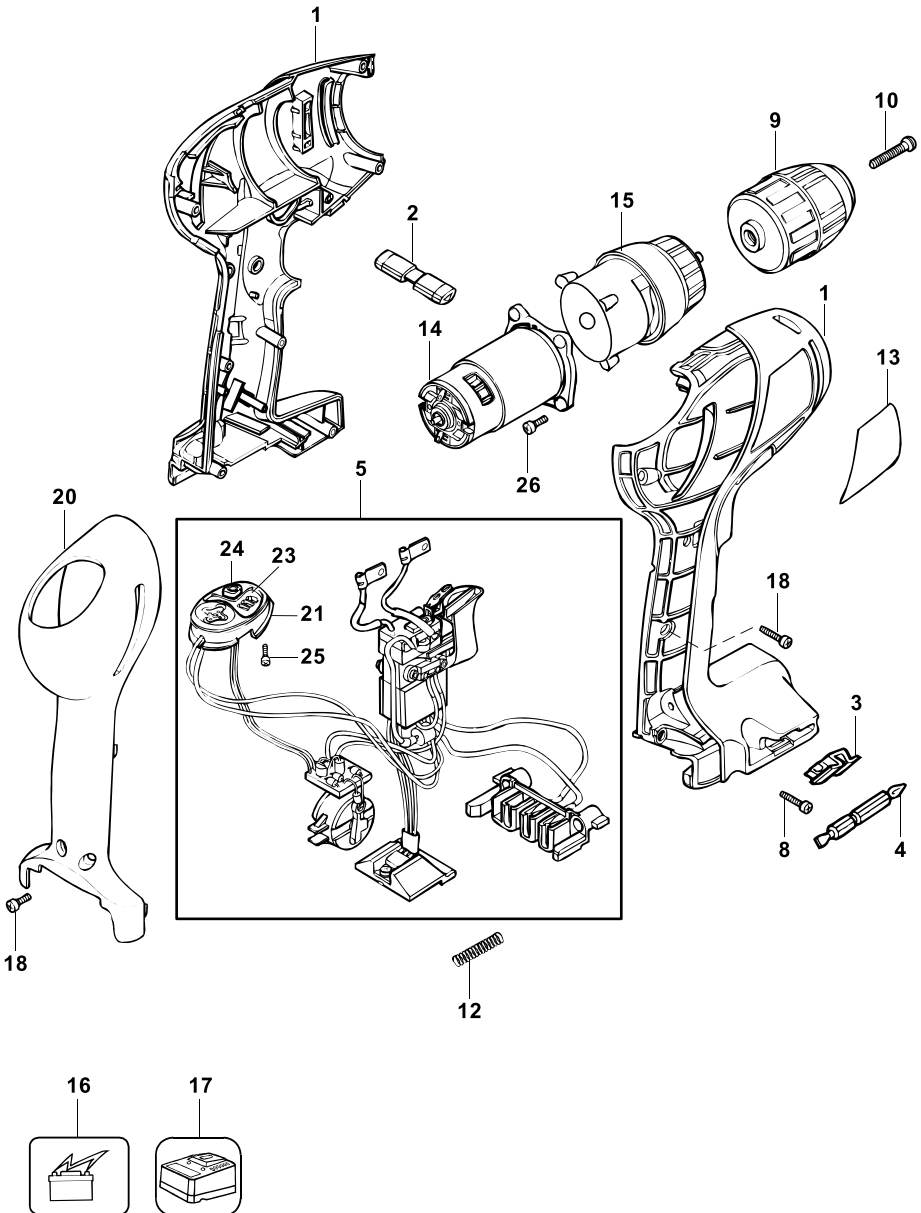
www.2helpU.com.

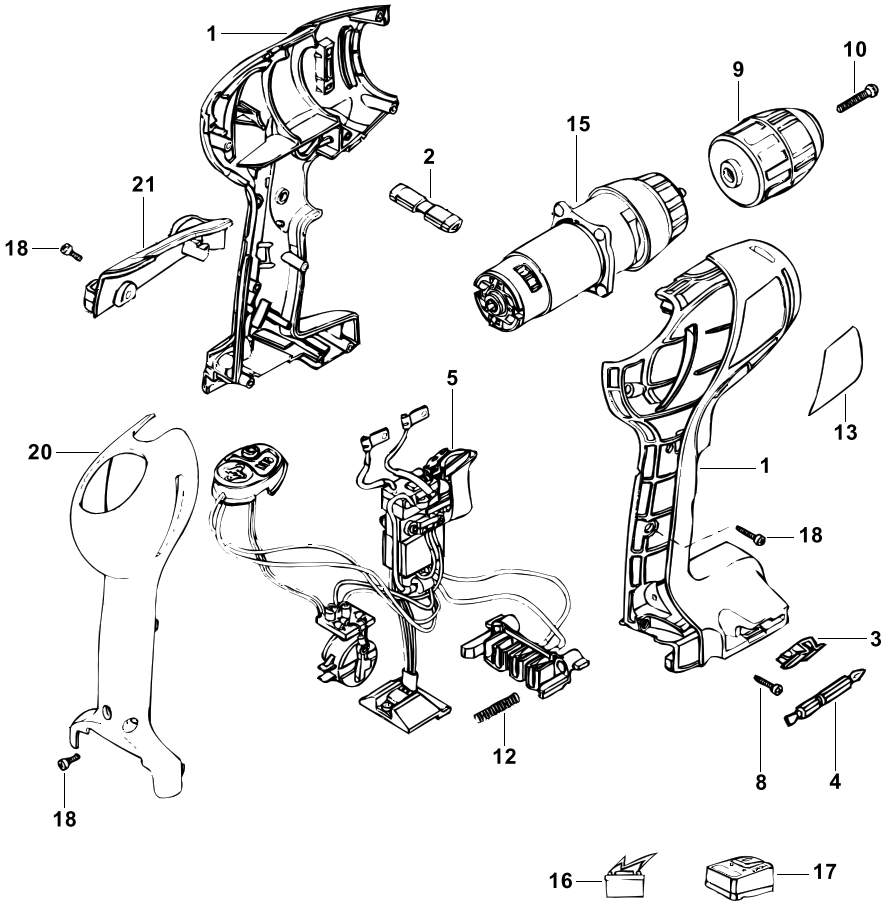
Τεχνικά χαρακτηριστικά

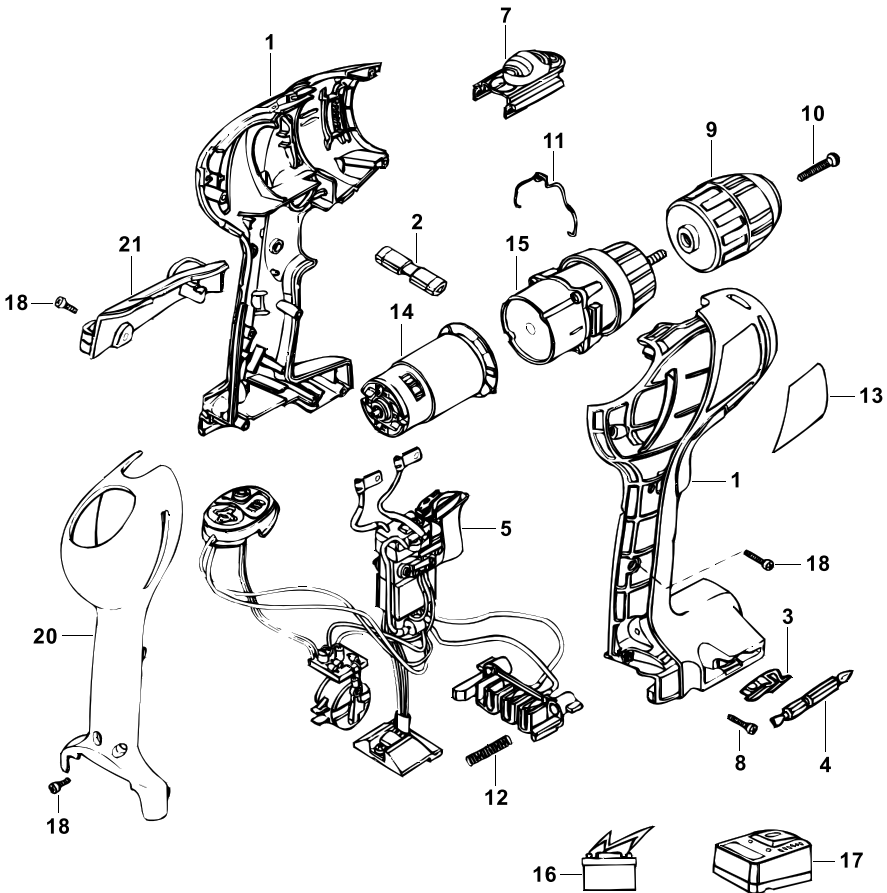
		HP96K	HP12K(D)	HP14K(D)	HP122K(D)	HP142K(D)
Τάση	V_{DC}	9,6	12	14,4	12	14,4
Ταχύτητα άφορτου κίνησης	min^{-1}	350/700	0-750	0-750	0-400/0-1.200	0-400/0-1.200
Μέγιστη ροπή	Nm	10,5	11,8	12,9	23,5	26
Απόδοση τσοκ	mm	10	10	10	10	10
Μέγιστη ικανότητα διάτρησης σε χάλυβα / ξύλο / τοιχοποιία	mm	10/20/-	10/25/-	10/30/-	10/25/12	10/30/12
Βάρος (χωρίς μπαταρία)	kg	1,0	1,0 (1,2)	1,3 (1,4)	1,0 (1,2)	1,3 (1,4)

Μπαταρία		HP96K	HP12K(D)	HP14K(D)	HP122K(D)	HP142K(D)
Κωδ. καταλόγου μπαταρίας		A96	A12	499936-34	A12	499936-35
Τάση	V_{DC}	9,6	12	14,4	12	14,4
Χωρητικότητα	Ah	1,2	1,2	1,2	1,2	1,2
Βάρος	kg	0,56	0,52 (0,63)	0,76	0,52	0,63

Φορτιστής		HP96K	HP12K(D)	HP14K(D)	HP122K(D)	HP142K(D)
Τάση δικτύου	V_{AC}	230	230	230	230	230
Χρόνος φόρτισης κατά προσέγγιση	h	3	3	3	1	1







Australia	DeWALT Industrial Power Tool Company 7 Clarice Road, Box Hill, Victoria 3128	Tel. 03 9895 9200 Fax 03 9899 7465
Belgique/België	Black & Decker (Belgium) N.V. Campus Noord, Schaliënhoevedreef 20E 2800 Mechelen	Tel. 015 - 47 92 11 Fax 015 - 47 92 10
Danmark	Black & Decker Hejrevang 26B, 3450 Allerød Internet: www.blackdecker.dk	Tel. 70 20 15 10 Fax 48 14 63 30
Deutschland	Black & Decker GmbH Black & Decker Str. 40, D - 65510 Idstein	Tel. 06126/21 - 0 Fax 06126/21 22 22
Ελλάς	Black & Decker (Ελλάς) Α.Ε. Στράβωνος 7 & Λ. Βουλιαγμένης 159 166 74 Γλυφάδα, Αθήνα	Τηλ. (210) 898 1616 Τηλ. (210) 898 3570 Φαξ Σέρβις (210) 898 3285
España	Black & Decker Ibérica, S.C.A. Parque de Negocios "Mas Blau" Edificio Muntadas, c/Bergadá, 1, Of. A6 08820 El Prat de Llobregat (Barcelona)	Tel. 934 797 400 Fax 934 797 419
France	Black & Decker (France) S.A.S. B.P. 21, 69571 Dardilly Cédex	Tel. 04 72 20 39 20 Fax 04 72 20 39 00
Helvetia	ROFO AG Gewerbezone Seeblick 3213 Kleinbödingen	Tel. 026-6749391 Fax 026-6749394
Italia	Black & Decker Italia SpA Viale Elvezia 2 20052 Monza (MI)	Tel. 039-23871 Fax 039-2387592/2387594 Numero verde 800-213935
Nederland	Black & Decker (Nederland) BV Florijnstraat 10, 4879 AH Etten-Leur	Tel. 076-5082000 Fax 076-5038184
New Zealand	Black & Decker 81 Hugo Johnston Drive Penrose, Auckland, New Zealand	Tel. 09 579 7600 Fax 09 579 8200
Norge	Black & Decker (Norge) A/S Postboks 248, Leirdal, 1011 Oslo Internet: www.blackdecker.no	Tlf. 22 90 99 00 Fax 22 90 99 01
Österreich	Black & Decker Vertriebsges.m.b.H Erlaaerstraße 165, 1231 Wien	Tel. 01 66116-0 Fax 01 66116-14
Portugal	Black & Decker Rua Egas Moniz 173 S. João do Estoril 2766-651, Estoril	Tel. 214667500 Fax 214667575
Suomi	Black & Decker Oy Palotie 3, 01610 Vantaa Black & Decker Oy, Brandvägen 3, 01610 Vanda	Puh: (09) 825 4540 Fax: (09) 8254 5444 Tel: (09) 825 4540 Fax: (09) 8254 5444
Sverige	Black & Decker AB Box 603, 421 26 Västra Frölunda, Besöksadr. Ekonomivägen 11	Tel: 031-68 60 00 Fax: 031-68 60 08
Türkiye	Black & Decker Merkez Servis Dudullu Cad. Kerembey Sok. No. 1 Küçükbakkalköy/Istanbul	Tel. 0216 455 89 73 Faks 0216 455 20 52
United Kingdom	Black & Decker 210 Bath Road Slough, Berkshire SL1 3YD	Tel. 01753 511234 Fax 01753 551155 Helpline 01753 574277

Dealer address
Händleradresse
Cachet du revendeur
Indirizzo del rivenditore
Adres van de dealer
Dirección del detallista
Morada do revendedor
Återförsäljarens adress
Forhandlerens adresse
Forhandler adresse
Jälleenmyyjän osoite
Διεύθυνση αντιπροσώπου

◆ Name ◆ Name ◆ Nom ◆ Nome ◆
◆ Naam ◆ Nombre ◆ Nome ◆ Namn
◆ Navn ◆ Navn ◆ Nimi ◆ Ovnöma:
.....
◆ Address ◆ Adresse ◆ Adresse ◆
Indirizzo ◆ Adresse ◆ Dirección ◆ Morada
◆ Address ◆ Adresse ◆ Adresse ◆ Osoite
◆ Διεύθυνση:

◆ Town ◆ Ort ◆ Ville ◆ Città ◆ Plaats
◆ Ciudad ◆ Localidade ◆ Ort ◆ By
◆ Paikkakunta ◆ Πόλη:

◆ Postal code ◆ Postleitzahl ◆ Code
postal ◆ Codice postale ◆ Postcode
◆ Código ◆ Código postal ◆ Postnr.
◆ Postnr. ◆ Postnr. ◆ Postnummero
◆ Κωδικός

◆ Is this tool a gift? ◆ Ist dieses Gerät
ein Geschenk? ◆ S'agit-il d'un cadeau?
◆ Si tratta di un regalo? ◆ Kreeg u de
machine als cadeau? ◆ ¿Ha recibido
usted esta herramienta como regalo?
◆ Recebeu esta ferramenta como
presente? ◆ Är verktyget en gåva?
◆ Er verkjøyet en gave? ◆ Er verkjøyet
en gave? ◆ Onko kone lahja?
◆ Το εργαλείο είναι δωρό?

◆ Yes ◆ Ja ◆ Oui ◆ Si ◆ Ja ◆ Si
◆ Sim ◆ Ja ◆ Ja ◆ Ja ◆ Kyllä ◆ Naa
 ◆ No ◆ Nein ◆ Non ◆ No ◆ Nee
◆ No ◆ Nao ◆ Nej ◆ Nei ◆ Nej
◆ Ei ◆ Oxi

◆ Is this tool your first purchase? ◆ Ist
dieses Gerät ein Erstkauf? ◆ Est-ce un
1er achat? ◆ Questo prodotto è il suo
primo acquisto? ◆ Is deze machine uw
eerste aankoop? ◆ ¿Es esta
herramienta la primera de este tipo?
◆ Esta ferramenta é a sua primeira
compra? ◆ Är detta ditt första B&D-
verktyg? ◆ Er dette ditt første B&D-
verktyg? ◆ Er dette ditt første B&D

Date of purchase
Kaufdatum
Date d'achat
Data d'acquisto
Aankoopdatum
Fecha de compra
Data de compra
Inkopsdatum
Inkjøpsdato
Indkøbsdato
Ostopäivä
Ημερομηνία αγοράς

verkkö? ◆ Onko tämä ensimmäinen
B&D-koneesi? ◆ Είναι το εργαλείο
αυτό η πρώτη σας αγορά?

◆ Yes ◆ Ja ◆ Oui ◆ Si ◆ Ja ◆ Si
◆ Sim ◆ Ja ◆ Ja ◆ Ja ◆ Kyllä ◆ Naa
 ◆ No ◆ Nein ◆ Non ◆ No ◆ Nee
◆ No ◆ Nao ◆ Nej ◆ Nei ◆ Nej
◆ Ei ◆ Oxi

◆ Dealer address ◆ Händleradresse
◆ Cachet du revendeur ◆ Indirizzo del
rivenditore ◆ Adres van de dealer
◆ Dirección del detallista ◆ Morada do
revendedor ◆ Återförsäljarens adress
◆ Forhandlerens adresse ◆ Forhandler
adresse ◆ Jälleenmyyjän osoite
◆ Διεύθυνση αντιπροσώπου

Cat. no.:



- ◆ GUARANTEE CARD
- ◆ GARANTIEKART
- ◆ GARANTI KORT
- ◆ GARANTIEKARTE
- ◆ TARJETA DE GARANTÍA
- ◆ GARANTI KORT
- ◆ CARTE DE GARANTIE
- ◆ CARTÃO DE GARANTIA
- ◆ TAKUKUKORTTI
- ◆ TAGLIANDO DI GARANZIA
- ◆ GARANTIBEVIS
- ◆ KAPTA EFTYHSHZ



English

Please complete this section immediately after the purchase of your tool and send it to Black & Decker in your country. If you live in Australia or New Zealand, please register by using the alternative guarantee card supplied.

Deutsch

Bitte schneiden Sie diesen Abschnitt ab, stecken ihn in einen frankierten Umschlag und schicken ihn an die Black & Decker Adresse Ihres Landes.

Français

Découpez cette partie et envoyez-la sous enveloppe timbrée à l'adresse de Black & Decker dans votre pays, ceci immédiatement après votre achat.

Italiano

Per favore ritagliate questa parte, inseritela in una busta con francobollo e speditea subito dopo l'acquisto del prodotto all'indirizzo della Black & Decker nella vostra nazione.

Nederlands

Knip dit gedeelte uit en zend het direct na aankoop in een gefrankeerde, geaddresserde envelop naar het adres van Black & Decker in uw land.

Español

Después de haber comprado su herramienta envíe usted, por favor, esta tarjeta a la central de Black & Decker en su país.

Português

Por favor, recorte esta parte, coloque-a num envelope selado e endereçado e envie-o logo após a compra do seu produto para o endereço da Black & Decker do seu país.

Svenska

Var vänlig klipp ur denna del och sänd den i ett frankerat kuvert till Black & Deckers adress i Ditt land.

Norsk

Vennligst klipp ut denne delen umiddelbart etter du har pakket ut ditt produkt og legg det i en adressert konvolutt til Black & Decker (Norge) AS.

Dansk

Venligst klip denne del ud og send frankeret til Black & Decker i dit land.

Suomi

Leikkaa irti tämä osa, laita se kuoreen ja postitaa kuori paikalliseen Black & Decker osoitteeseen.

Ελληνικά

Ταξιδιάζω κόψτε αυτό το κομμάτι και ταχυδρομήστε το μετρώς μετά την αγορά του προϊόντος σας στην διεύθυνση της Black & Decker στην Ελλάδα.